



US00D555230S

(12) **United States Design Patent**  
**Kemp et al.**

(10) **Patent No.:** **US D555,230 S**

(45) **Date of Patent:** **\*\* Nov. 13, 2007**

(54) **SPOUT PORTION**

(75) Inventors: **Douglas A. Kemp**, North Ridgeville, OH (US); **Christopher Jon Gilbert**, Moreland Hills, OH (US)

(73) Assignee: **Moen Incorporated**, North Olmsted, OH (US)

(\*\*) Term: **14 Years**

(21) Appl. No.: **29/265,619**

(22) Filed: **Sep. 5, 2006**

(51) **LOC (8) Cl.** ..... **23-01**

(52) **U.S. Cl.** ..... **D23/249; D23/255**

(58) **Field of Classification Search** ..... D23/238-257;  
4/675-678; 137/801

See application file for complete search history.

(56) **References Cited**

**U.S. PATENT DOCUMENTS**

D53,558 S	7/1919	Bloch	
D149,196 S	4/1948	Little et al.	
D227,762 S	7/1973	Arbon	
D263,991 S	4/1982	Fleischmann et al.	
D280,543 S	9/1985	Paul	
D301,053 S	5/1989	Rodstein	
D311,438 S	10/1990	Strignano	
D312,681 S	12/1990	Kohler, Jr. et al.	
D318,099 S	7/1991	Reid et al.	
D319,685 S	9/1991	Kohler, Jr. et al.	
D321,039 S	10/1991	Robbins	
D321,752 S	11/1991	Paul	
D326,504 S	5/1992	Robbins	
D340,507 S	10/1993	McKeone	
D349,326 S	8/1994	Bollenbacher	
D350,183 S	8/1994	Joerger	
D352,095 S *	11/1994	Bollenbacher	..... D23/255
D353,653 S	12/1994	McKeone	
D357,730 S	4/1995	Saperstein	
D372,764 S	8/1996	Dubin	
D375,149 S	10/1996	Robbins	
D380,809 S *	7/1997	Warshawsky	..... D23/238
D414,546 S	9/1999	Cosolito et al.	

D417,490 S	12/1999	Formgren
D420,430 S	2/2000	Lobermeier
D441,060 S	4/2001	Lefroy-Brooks
D444,860 S	7/2001	Slothower et al.
D461,532 S	8/2002	Ouyoung
D463,533 S	9/2002	Kolada
D465,010 S	10/2002	Lord
D465,270 S	11/2002	Gottwald
D465,557 S	11/2002	Antoniello et al.
D465,559 S	11/2002	Chen
D468,399 S	1/2003	Bouilloux et al.
D469,158 S	1/2003	Bouilloux et al.
D469,854 S	2/2003	Ouyoung
D471,256 S	3/2003	Friedrich
D472,607 S	4/2003	Warshawsky et al.

*Primary Examiner*—Louis S. Zarfaz

*Assistant Examiner*—Gregory Andoll

(74) *Attorney, Agent, or Firm*—Calfee, Halter & Griswold LLP

(57) **CLAIM**

The ornamental design for a spout portion, as shown and described.

**DESCRIPTION**

FIG. 1 is a perspective view of a spout portion of the new design;

FIG. 2 is a left side elevational view of the spout portion of FIG. 1;

FIG. 3 is a front elevational view of the spout portion of FIG. 1;

FIG. 4 is a top plan view of the spout portion of FIG. 1;

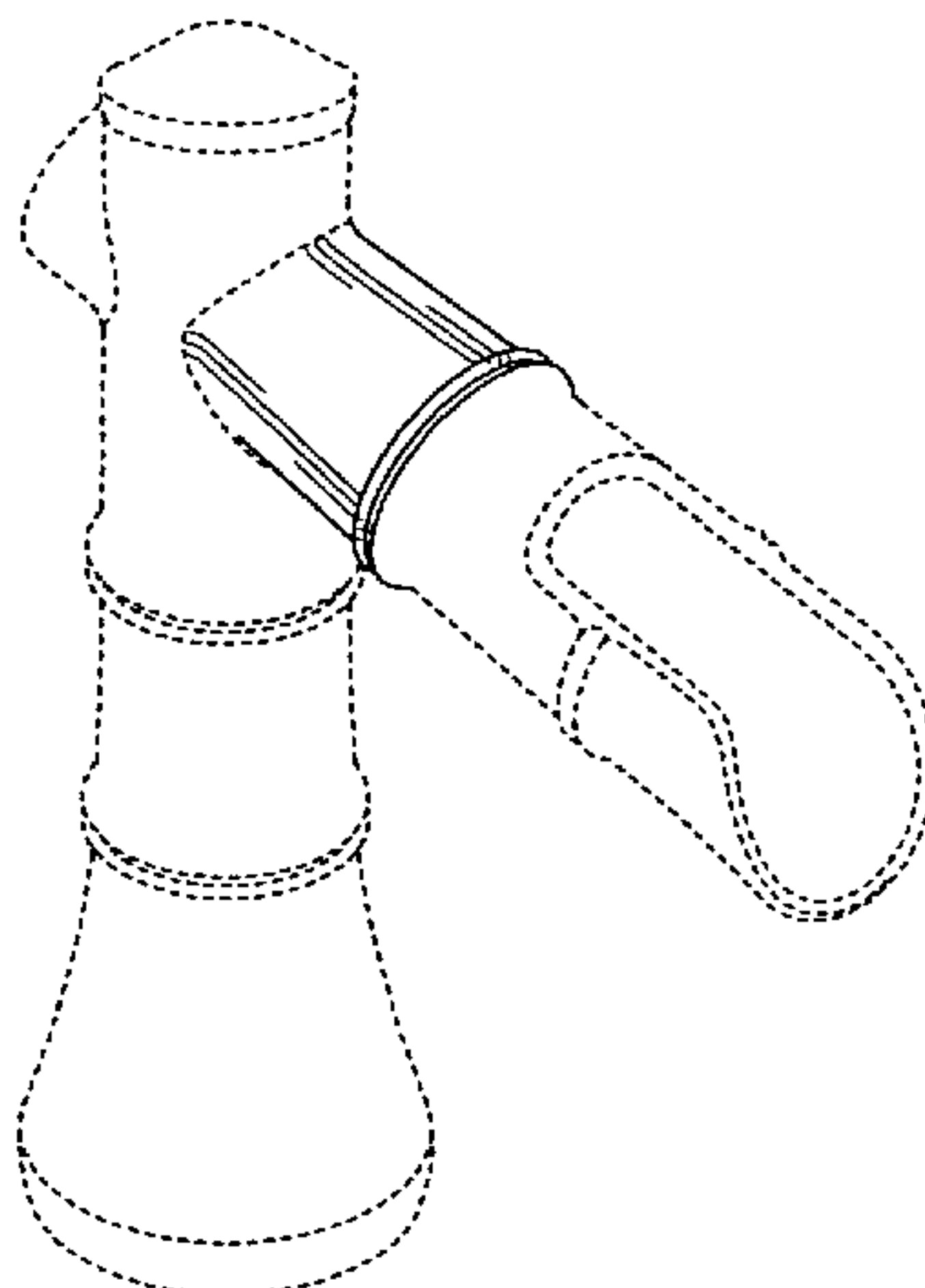
FIG. 5 is a right side elevational view of the spout portion of FIG. 1; and

FIG. 6 is a rear elevational view of the spout portion of FIG. 1; and,

FIG. 7 is a bottom plan view of the spout portion of FIG. 1.

The portions of the Figures shown in broken lines are not part of the claimed design and are for illustration only.

**1 Claim, 2 Drawing Sheets**



# US D555,230 S

Page 2

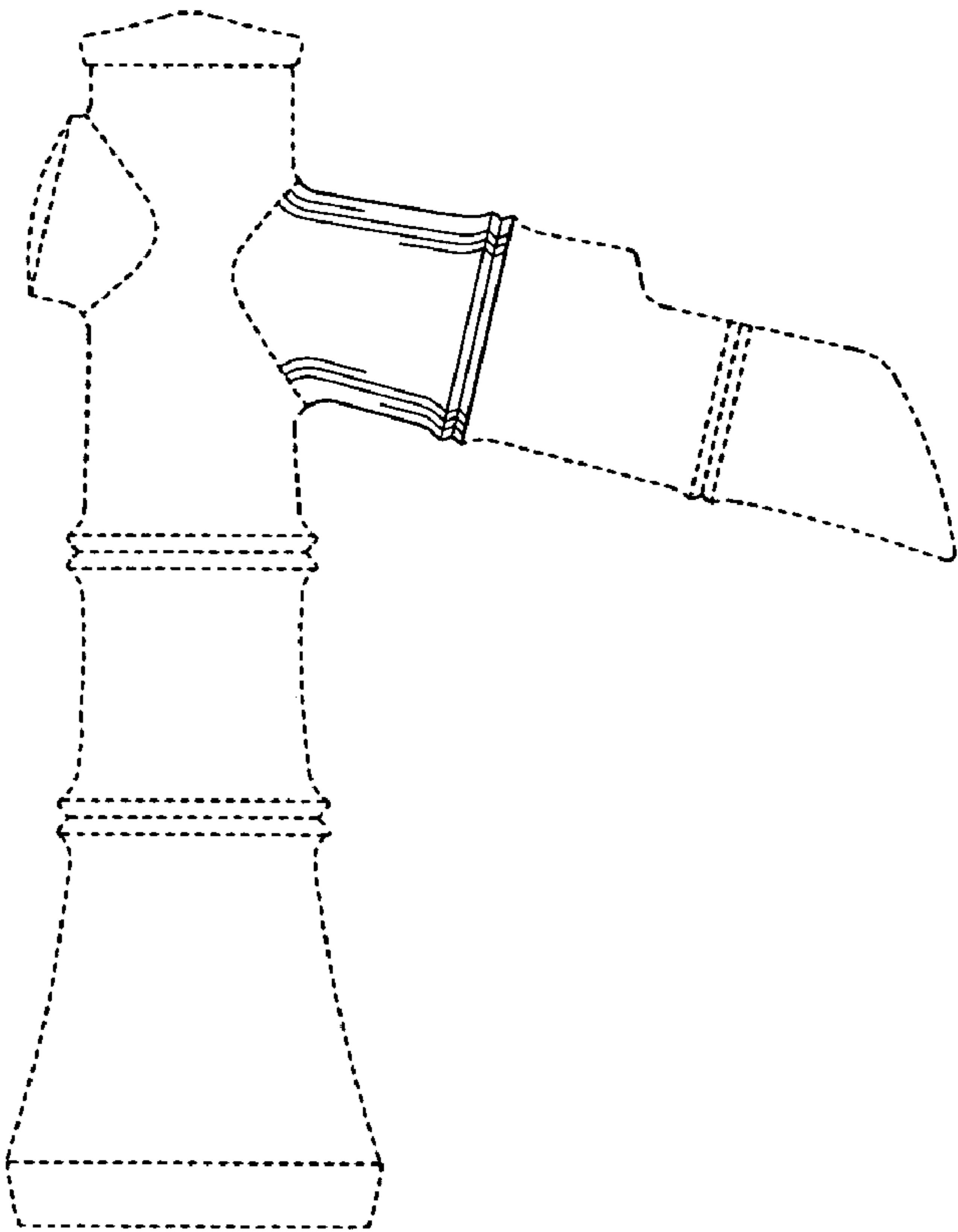
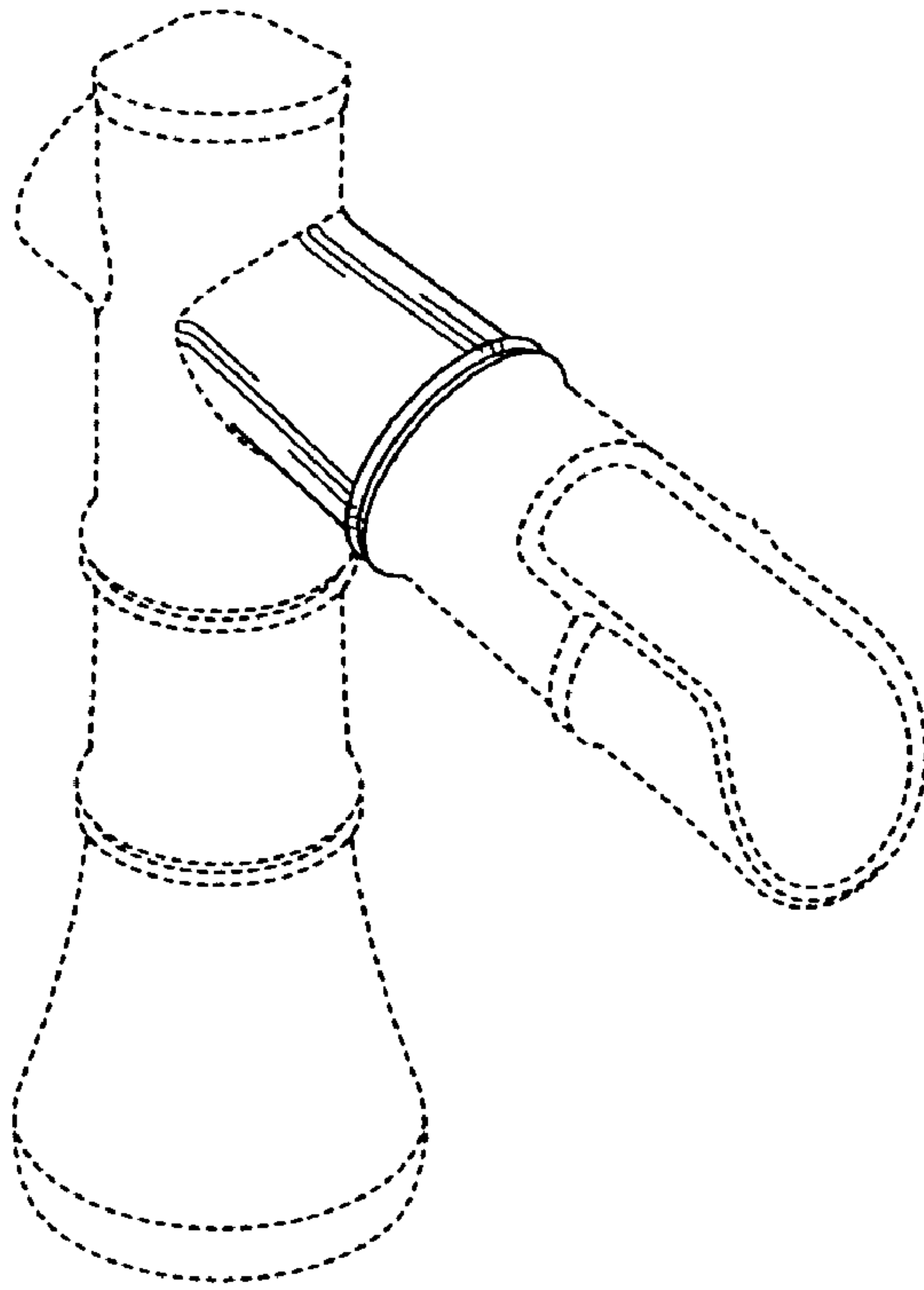
---

## U.S. PATENT DOCUMENTS

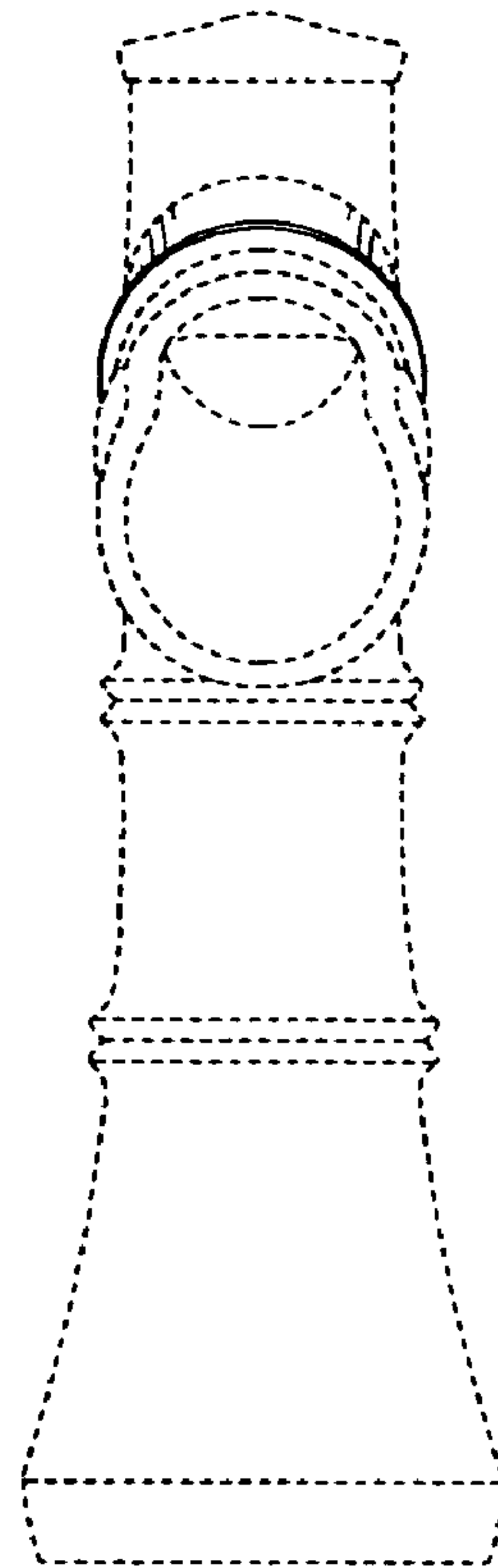
D474,834 S	5/2003	Czerwinski, Jr. et al.	D493,867 S *	8/2004	Shahar .....	D23/238
D478,149 S	8/2003	Friedrich	D511,370 S *	11/2005	Kennard .....	D23/238
D478,153 S	8/2003	Friedrich	D513,309 S	12/2005	Kulig	
D478,371 S	8/2003	Ouyoung	D515,181 S	2/2006	Lun et al.	
D479,584 S	9/2003	Shieh	D520,117 S	5/2006	Fritz	
D479,739 S	9/2003	Citterio	D520,122 S	5/2006	Kennard	
D487,132 S	2/2004	Zhao	D521,122 S	5/2006	Fritz	
D487,499 S	3/2004	Zhao	D521,126 S *	5/2006	Kemp .....	D23/257

\* cited by examiner

**FIG. 1**

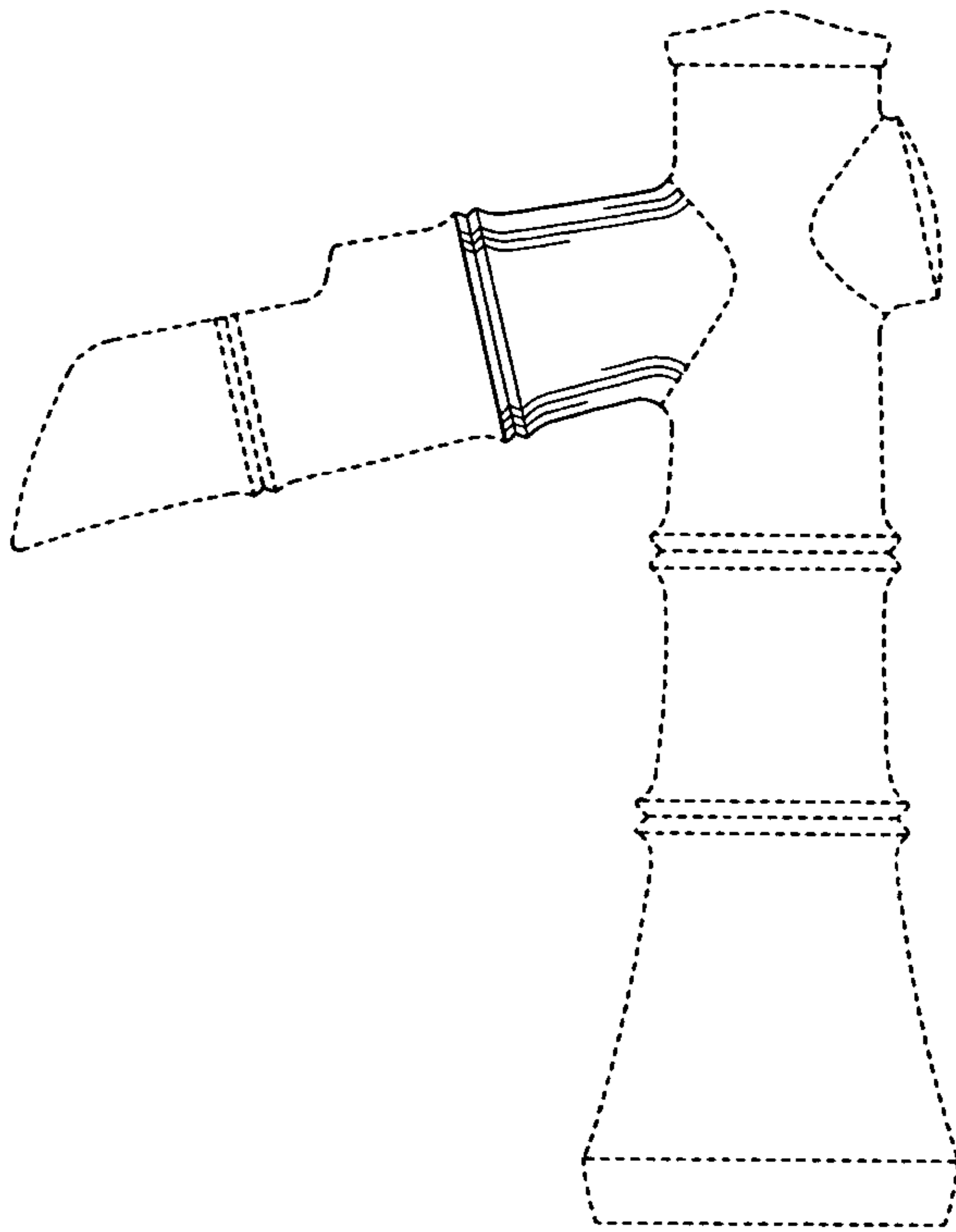
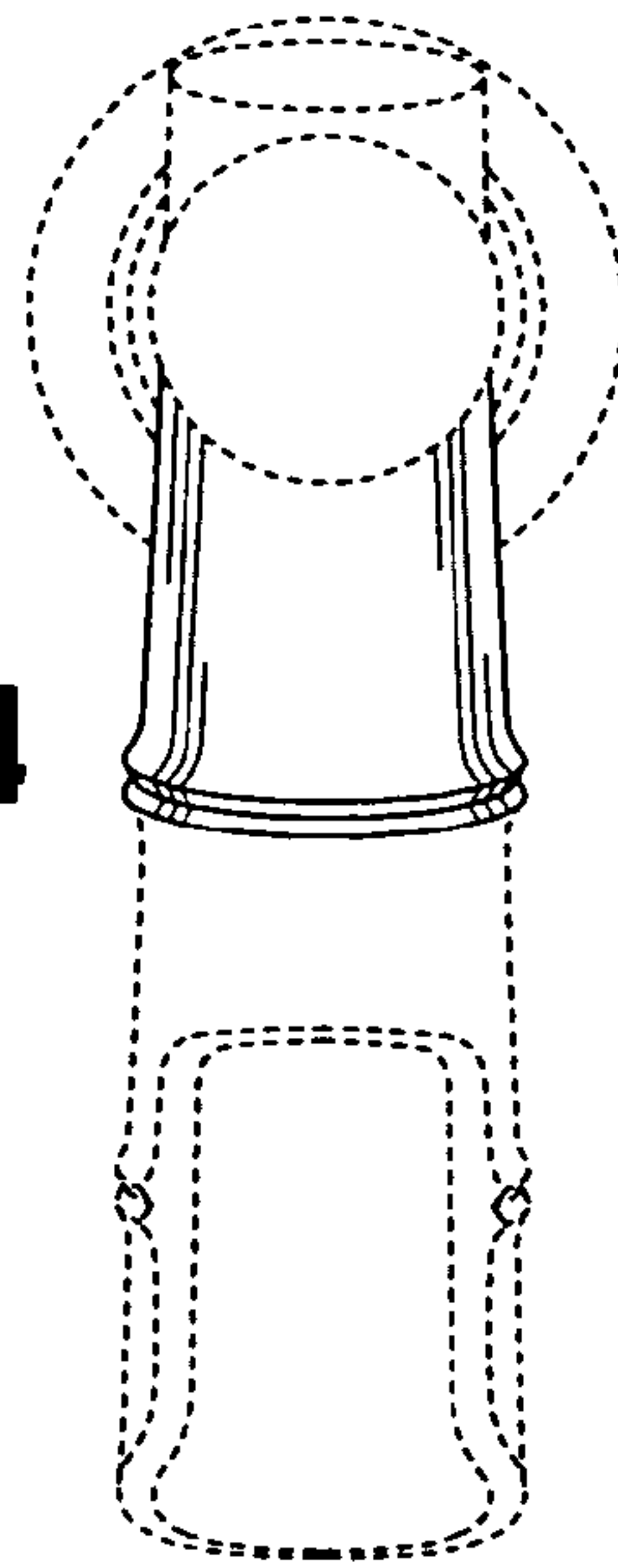


**FIG. 2**

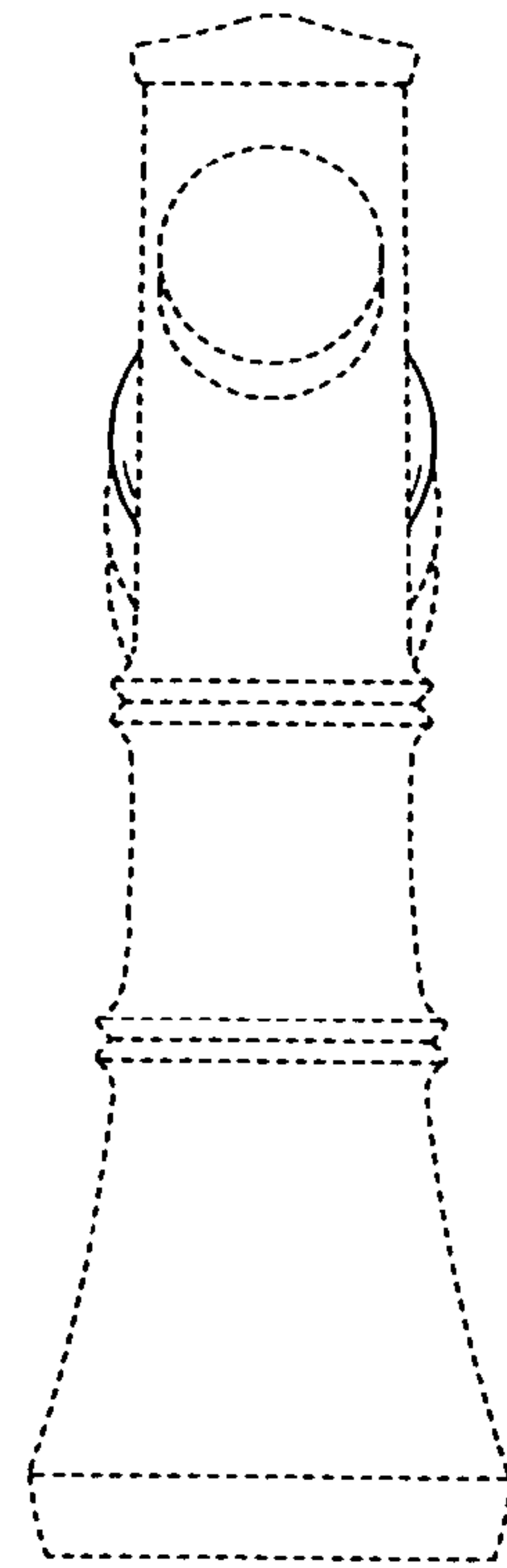


**FIG. 3**

**FIG. 4**



**FIG. 5**



**FIG. 6**

**FIG. 7**

