



US00D555226S

(12) **United States Design Patent**
Leavitt et al.

(10) **Patent No.:** **US D555,226 S**

(45) **Date of Patent:** **** Nov. 13, 2007**

(54) **FILTER HOUSING**

(76) Inventors: **David Leavitt**, 2004 Woodland Rd.,
Edmond, OK (US) 73013; **John
Famula**, 432 Arundel Beach Rd.,
Severna Park, MD (US) 21146;
Christer Broman, 243 Finnegan Dr.,
Millersville, MD (US) 21108; **Jeremy
Hess**, 432 Dickson St., Fayetteville, AR
(US) 72701; **Elmo Geppelt**, 7117 S.
Columbia, Tulsa, OK (US) 74136

4,404,006 A * 9/1983 Williams et al. 55/502
D306,340 S * 2/1990 Whiting D23/209
5,853,587 A * 12/1998 Young 210/445
D458,341 S * 6/2002 Pratt D23/209

* cited by examiner

Primary Examiner—Robin V. Webster
(74) *Attorney, Agent, or Firm*—Dunlap Coddling & Rogers

(**) Term: **14 Years**

(21) Appl. No.: **29/261,856**

(22) Filed: **Jun. 21, 2006**

(51) **LOC (8) Cl.** **23-01**

(52) **U.S. Cl.** **D23/209**

(58) **Field of Classification Search** D23/207,
D23/209; 210/445–6, 449, 462
See application file for complete search history.

(56) **References Cited**

U.S. PATENT DOCUMENTS

3,954,625 A * 5/1976 Michalski 210/445
D260,175 S * 8/1981 Hein et al. D24/162
D262,484 S * 12/1981 Ward et al. D23/209

(57) **CLAIM**

The ornamental design for a filter housing, as shown and described.

DESCRIPTION

FIG. 1 is a perspective view of a filter housing showing our new design, the filter housing being connected to hoses which are shown in phantom for illustrated purposes only; and forms no part of the claimed design;

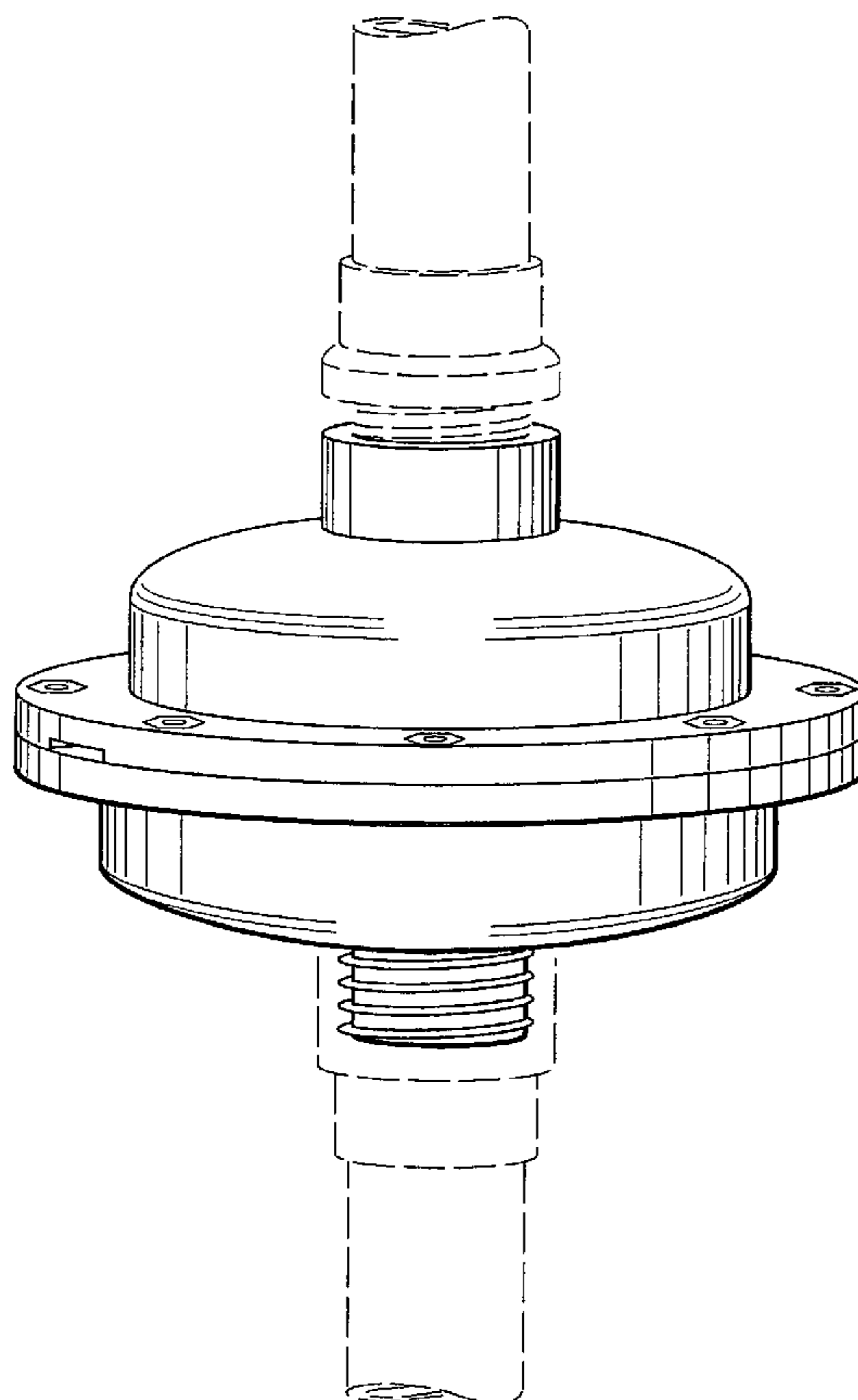
FIG. 2 is a front elevational view thereof, the rear elevational view thereof being identical;

FIG. 3 is side elevational view thereof, the opposite side thereof being identical;

FIG. 4 is a top plan view thereof; and,

FIG. 5 is a bottom plan view thereof.

1 Claim, 3 Drawing Sheets



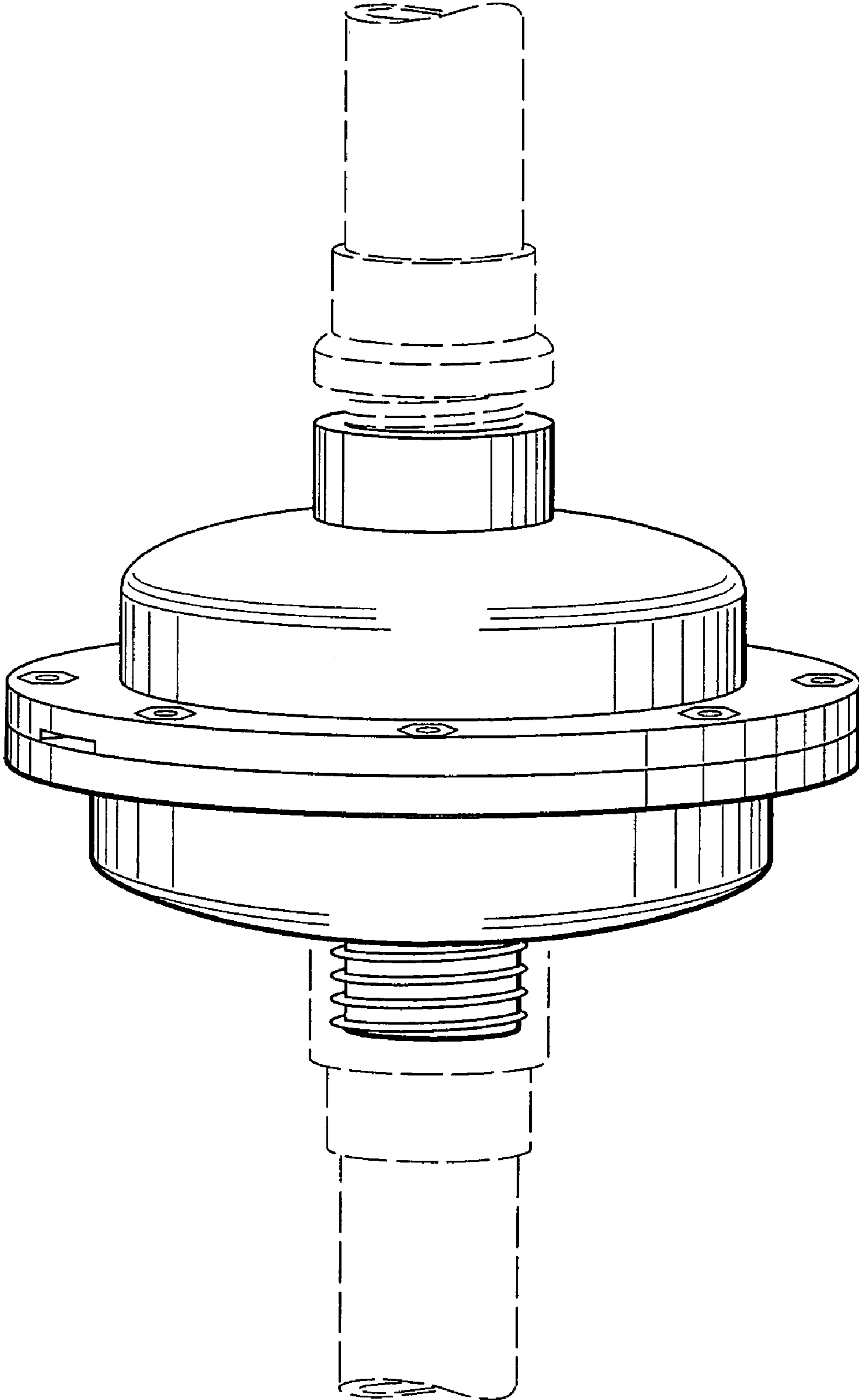


Fig. 1

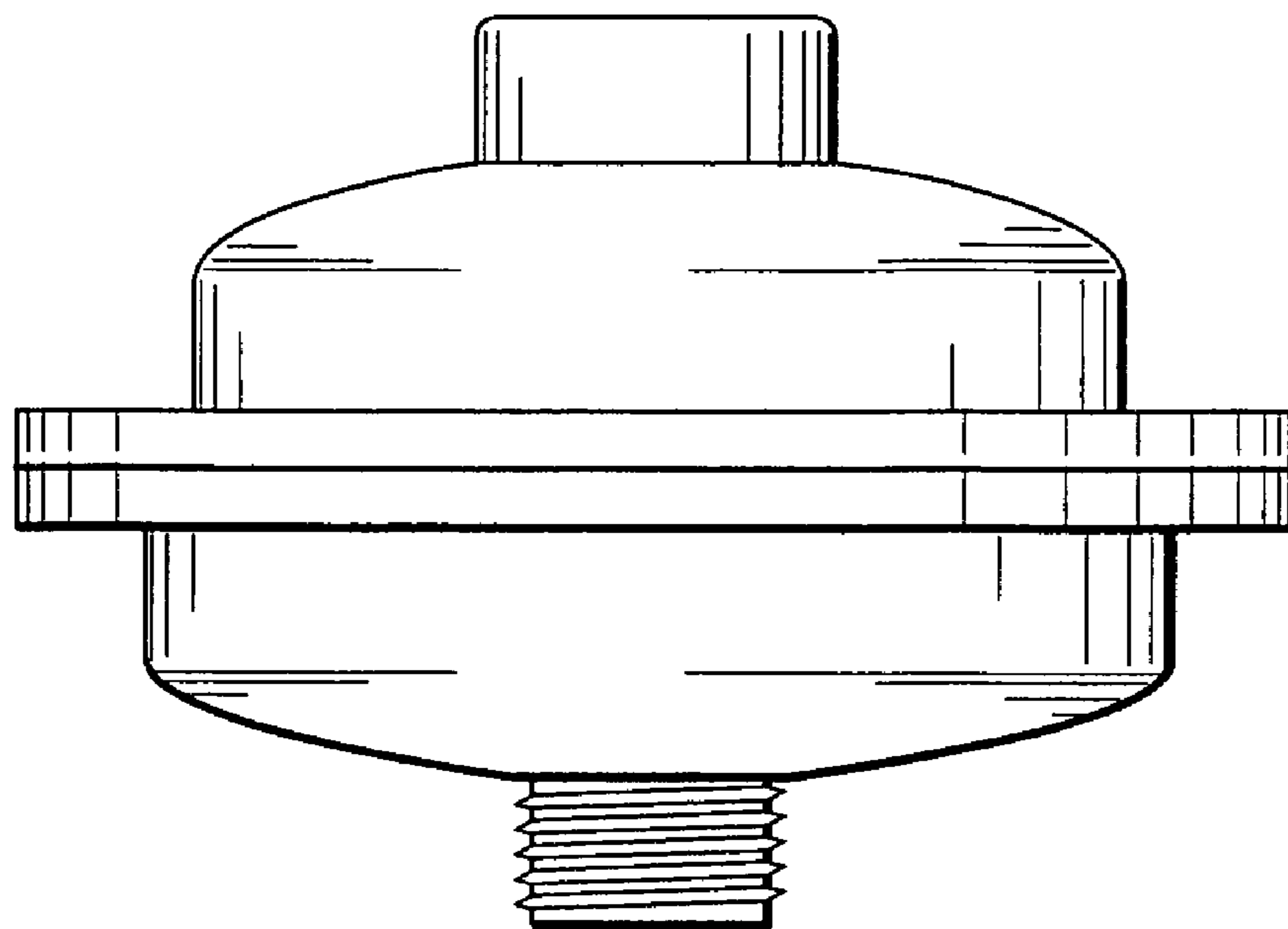


Fig. 2

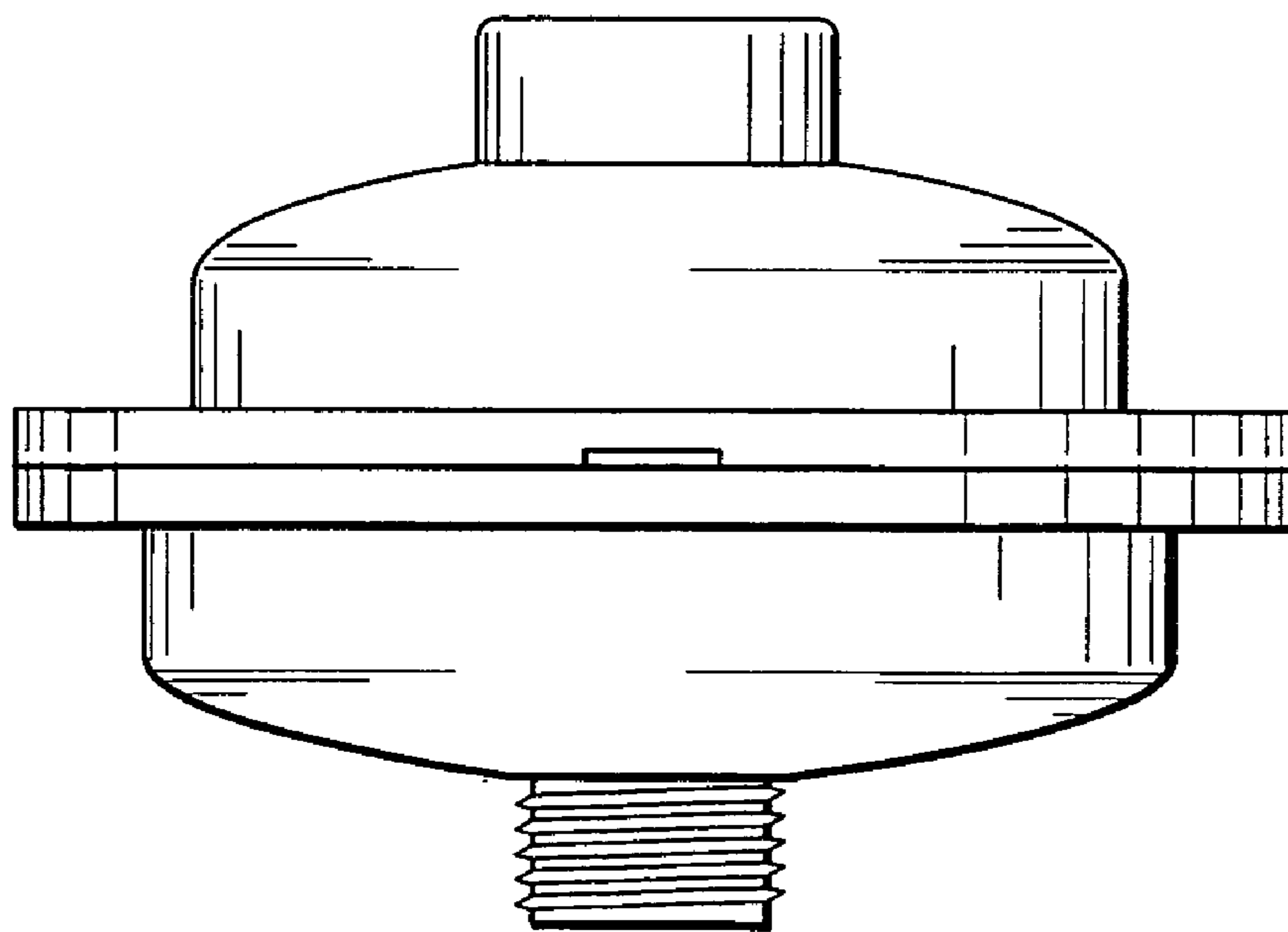


Fig. 3

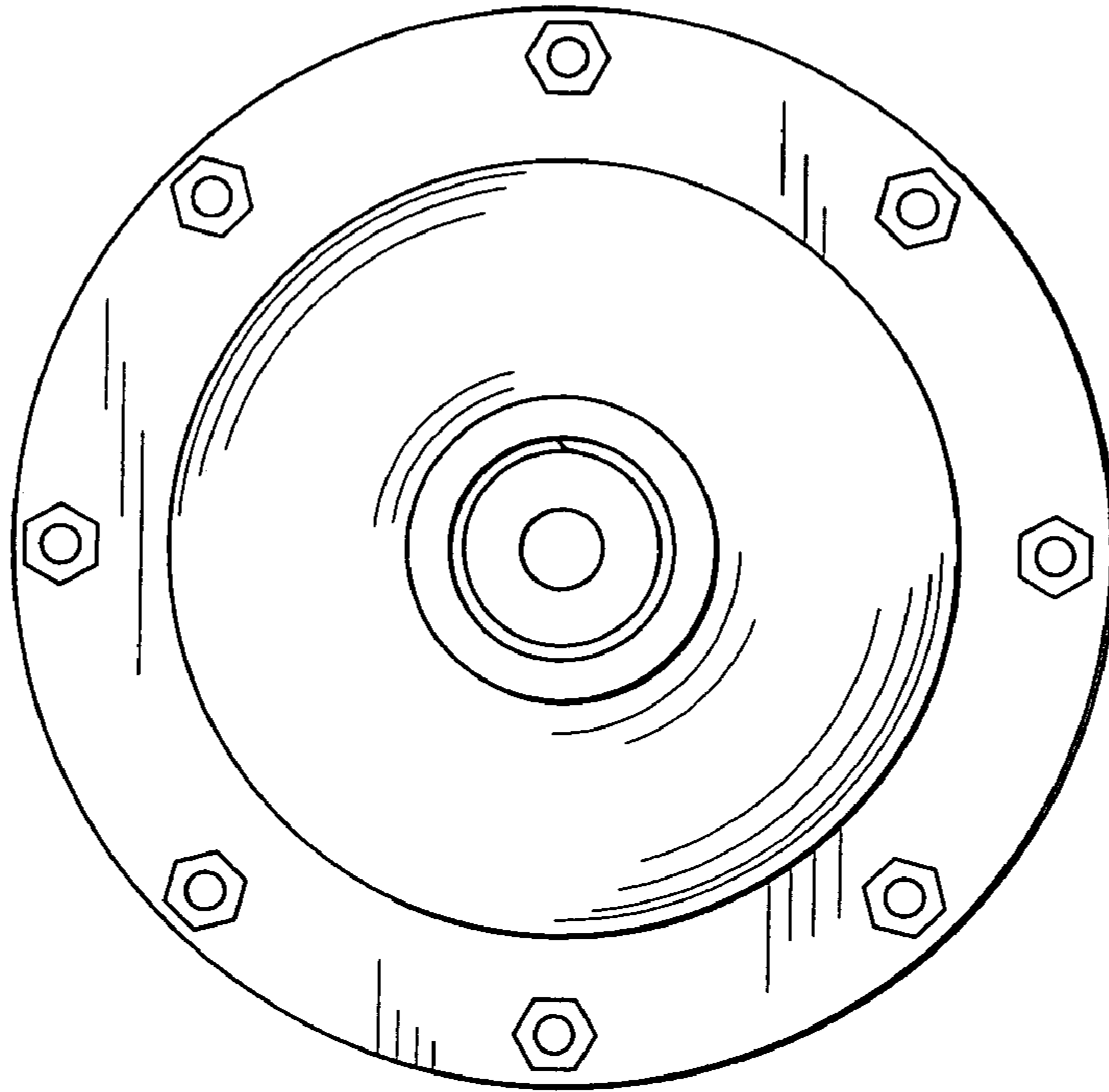


Fig. 4

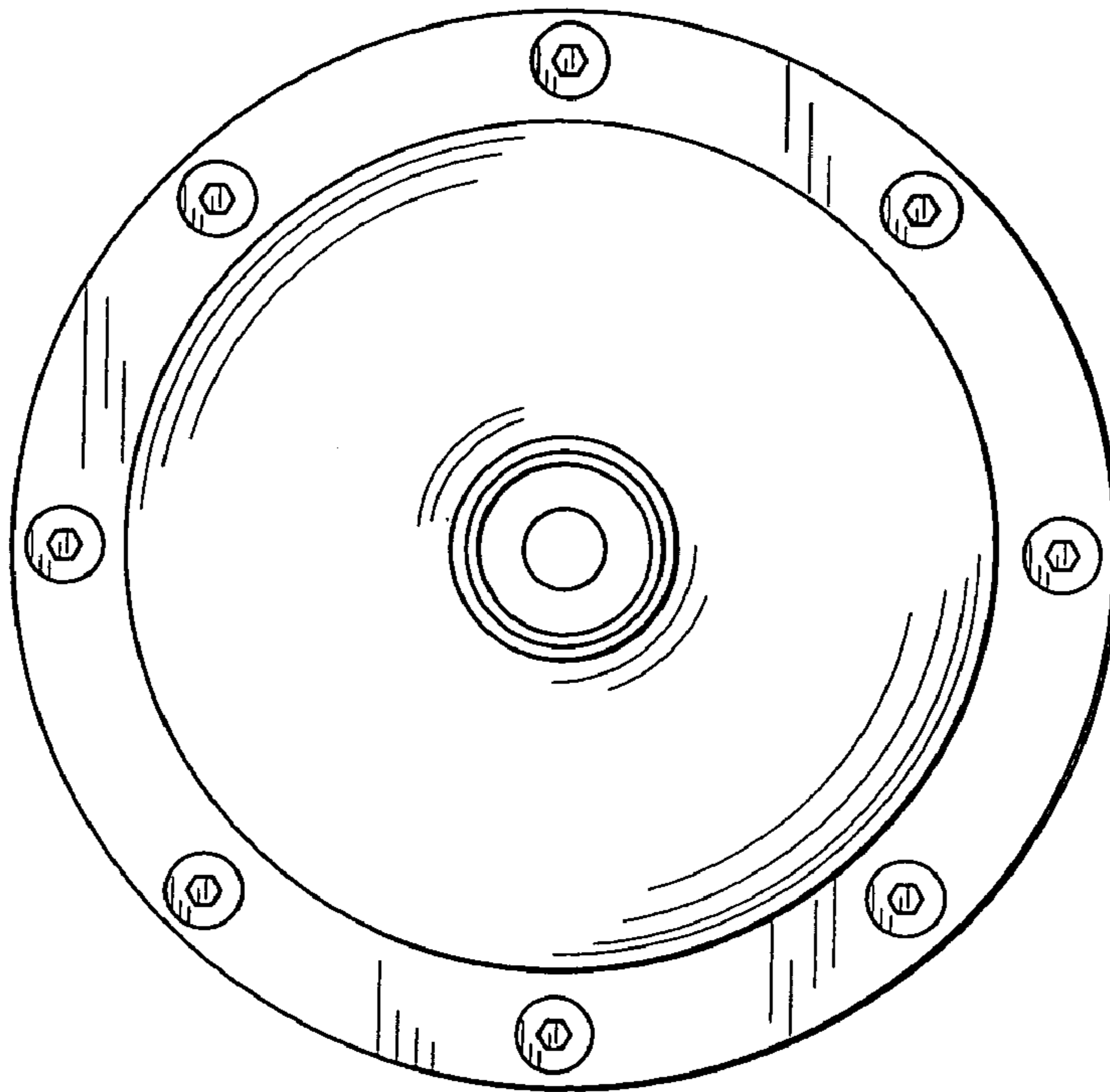


Fig. 5