



US00D555224S

(12) **United States Design Patent** (10) **Patent No.:** **US D555,224 S**  
**Florea et al.** (45) **Date of Patent:** **\*\* Nov. 13, 2007**

(54) **TACTICAL SHOTGUN GRIP**  
(75) Inventors: **Scott Florea**, Dayton, OH (US);  
**Darnell Halsall**, Dayton, OH (US);  
**Erik Steckel**, Dayton, OH (US); **Carl Jones**, Dayton, OH (US)  
(73) Assignee: **Daytec, LLC**, Dayton, OH (US)  
(\*\*) Term: **14 Years**  
(21) Appl. No.: **29/220,645**  
(22) Filed: **Jan. 4, 2005**  
(51) **LOC (8) Cl.** ..... **22-01**  
(52) **U.S. Cl.** ..... **D22/109**  
(58) **Field of Classification Search** ..... D22/109,  
D22/103, 104, 108, 100, 110; 42/71.01-74,  
42/70.07, 85, 114, 123, 146, 106; 89/1.42,  
89/33.01, 33.1, 125; 362/110  
See application file for complete search history.

6,023,875 A 2/2000 Fell et al.  
6,115,952 A 9/2000 Rigler  
D433,478 S \* 11/2000 Edgar ..... D22/110  
D444,531 S \* 7/2001 Squillante et al. .... D22/110  
6,253,481 B1 \* 7/2001 Melby ..... 42/106  
6,565,226 B1 5/2003 Cummings  
D477,855 S \* 7/2003 Selvaggio ..... D22/108  
6,622,416 B2 \* 9/2003 Kim ..... 42/146  
D483,431 S \* 12/2003 Squillante et al. .... D22/109  
6,655,069 B2 12/2003 Kim  
D486,547 S \* 2/2004 Faifer ..... D22/108  
6,722,076 B2 4/2004 Nielsen  
D510,401 S \* 10/2005 Murello et al. .... D22/103  
D516,660 S \* 3/2006 Murello et al. .... D22/103  
D530,774 S \* 10/2006 Oscarsson et al. .... D22/108  
D542,877 S \* 5/2007 Murello et al. .... D22/103  
2002/0083634 A1 \* 7/2002 Kim et al. .... 42/123  
2002/0088129 A1 \* 7/2002 Huang et al. .... 362/110  
2003/0000123 A1 1/2003 Phillips et al.  
2004/0055202 A1 3/2004 Oz  
2004/0060222 A1 \* 4/2004 Oz ..... 42/146  
2006/0026888 A1 \* 2/2006 Cheng et al. .... 42/146  
2007/0039225 A1 \* 2/2007 Kallio et al. .... 42/146

\* cited by examiner

*Primary Examiner*—Louis Zarfaz  
*Assistant Examiner*—David G. Muller  
(74) *Attorney, Agent, or Firm*—Dinsmore & Shohl LLP

(56) **References Cited**  
U.S. PATENT DOCUMENTS

D177,679 S \* 5/1956 Ivy ..... D22/103  
3,057,342 A \* 10/1962 Woodzick ..... 42/106  
D286,424 S \* 10/1986 Ekstrand ..... D22/110  
4,627,183 A 12/1986 Stuckman  
4,697,226 A 9/1987 Verdin  
4,707,772 A 11/1987 Jimenez et al.  
D293,206 S \* 12/1987 Beaty et al. .... D22/110  
4,777,754 A 10/1988 Reynolds, Jr.  
D298,739 S \* 11/1988 Richards, Jr. .... D22/110  
4,788,785 A \* 12/1988 White ..... 42/72  
4,856,218 A 8/1989 Reynolds, Jr.  
4,894,941 A 1/1990 Karow, Jr.  
D309,255 S \* 7/1990 Karow, Jr. .... D22/110  
5,560,703 A 10/1996 Capps, III  
D386,543 S \* 11/1997 Chikui et al. .... D22/104  
5,685,105 A 11/1997 Teetzel  
5,704,155 A 1/1998 Primeau, IV  
5,727,346 A 3/1998 Lazzarini et al.  
D394,096 S \* 5/1998 Edgar ..... D22/110  
5,815,936 A \* 10/1998 Siczka et al. .... 42/114

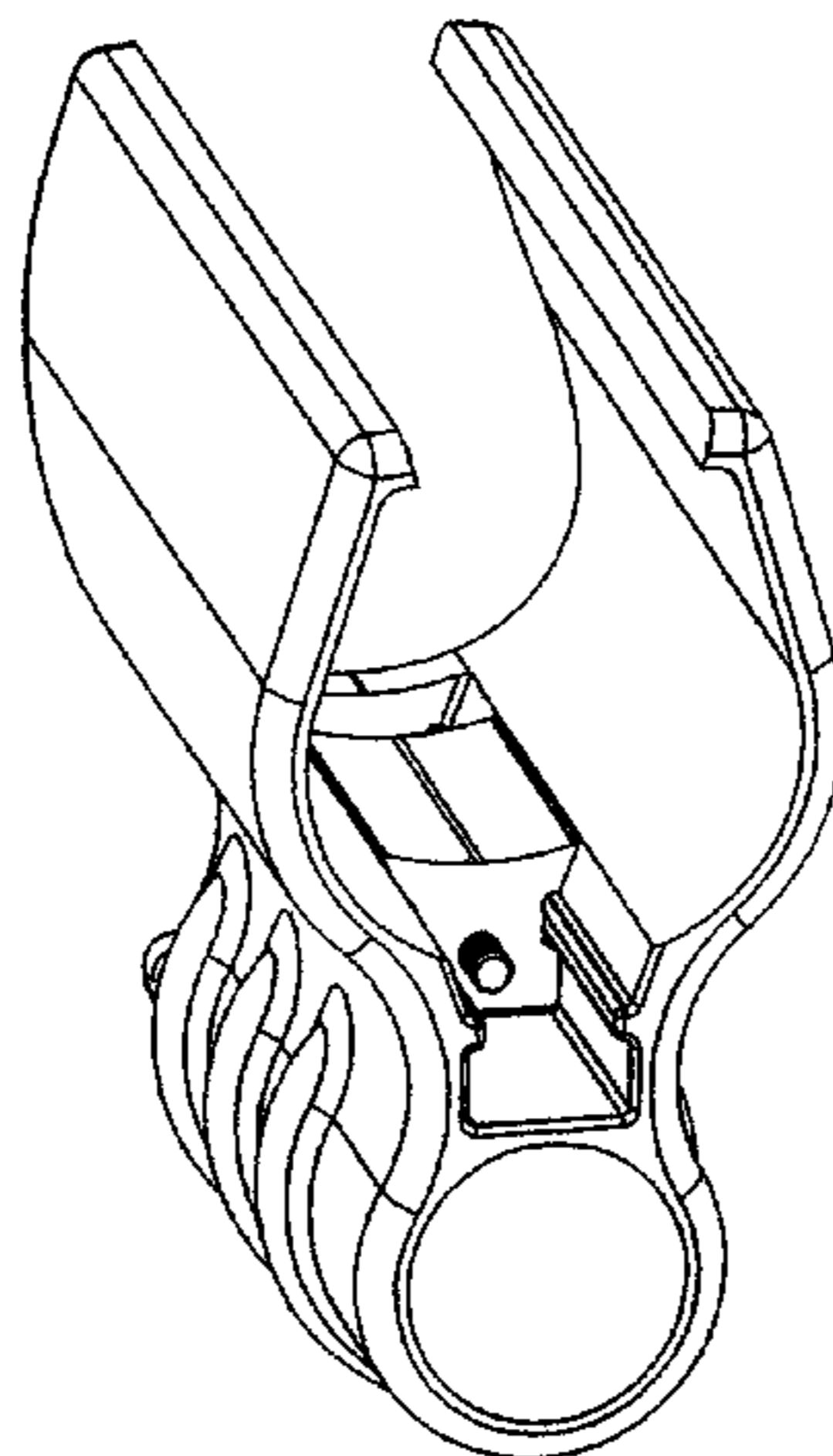
(57) **CLAIM**

The ornamental design for a tactical shotgun grip, as shown and described.

**DESCRIPTION**

FIG. 1 is an elevated perspective view of a tactical shotgun grip;  
FIG. 2 is a front view thereof;  
FIG. 3 is a rear view thereof;  
FIG. 4 is a bottom view thereof;  
FIG. 5 is a top view thereof; and,  
FIG. 6 is a side view thereof.

**1 Claim, 4 Drawing Sheets**



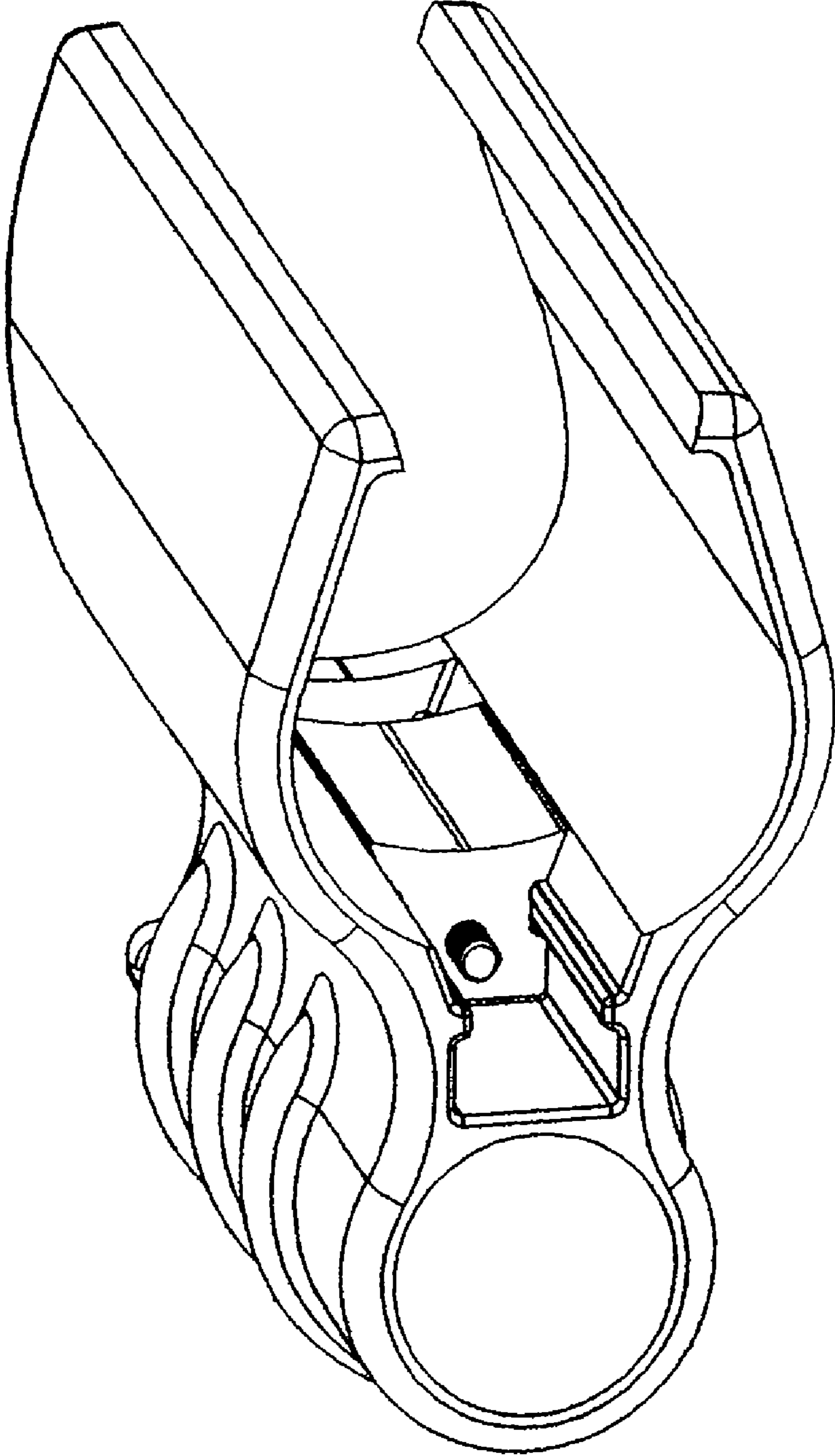


FIG. 1

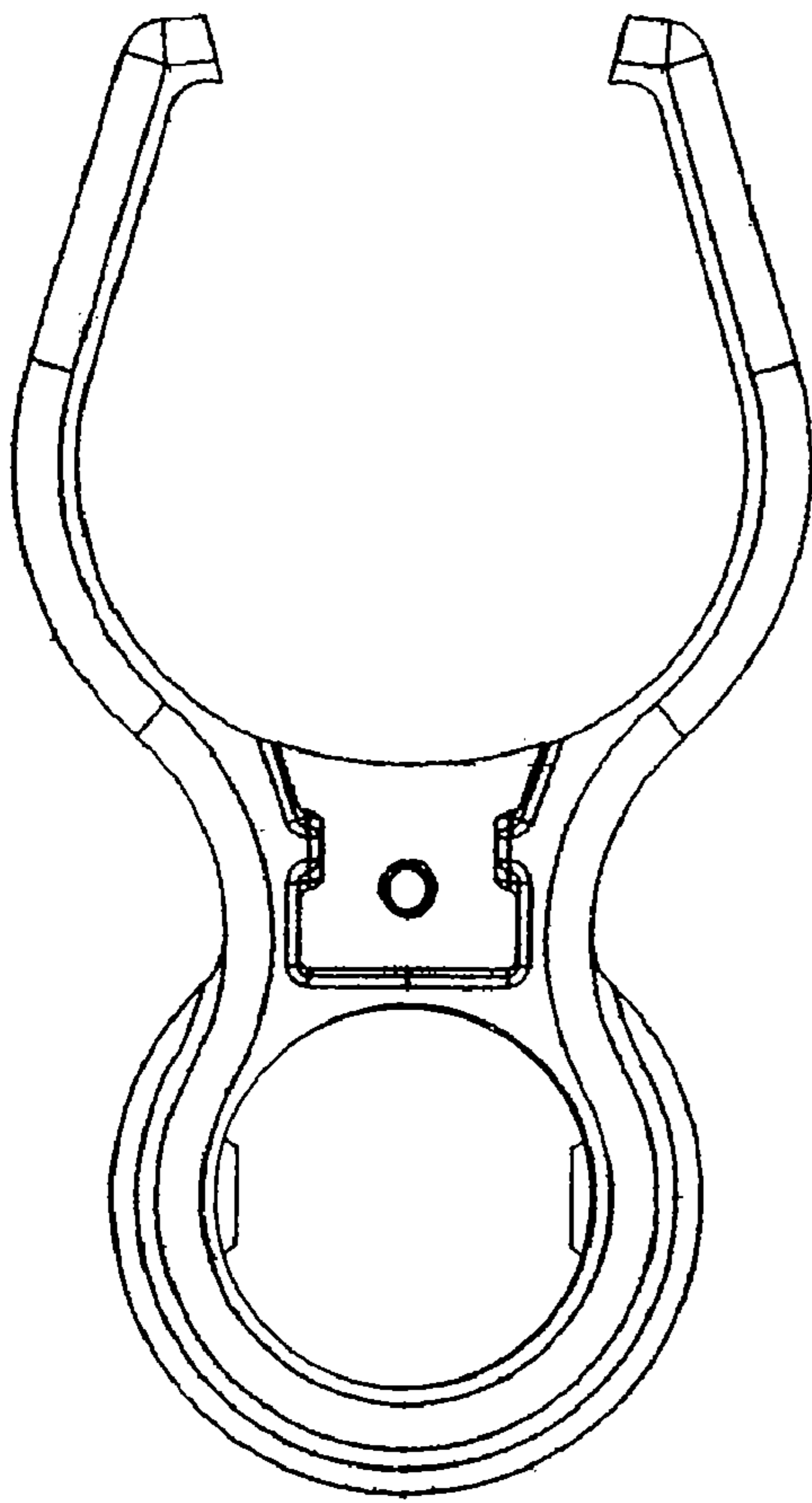


FIG. 2

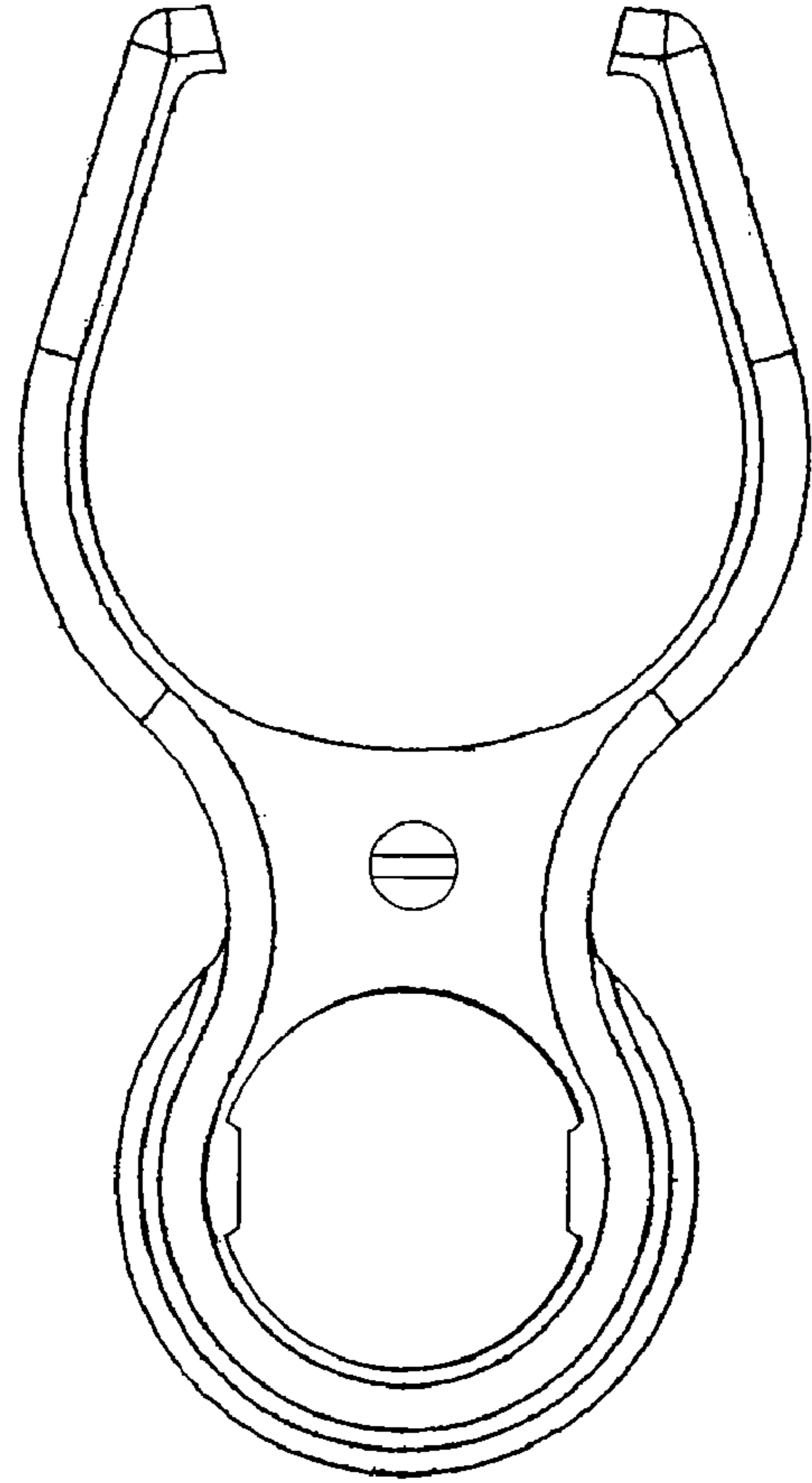


FIG. 3

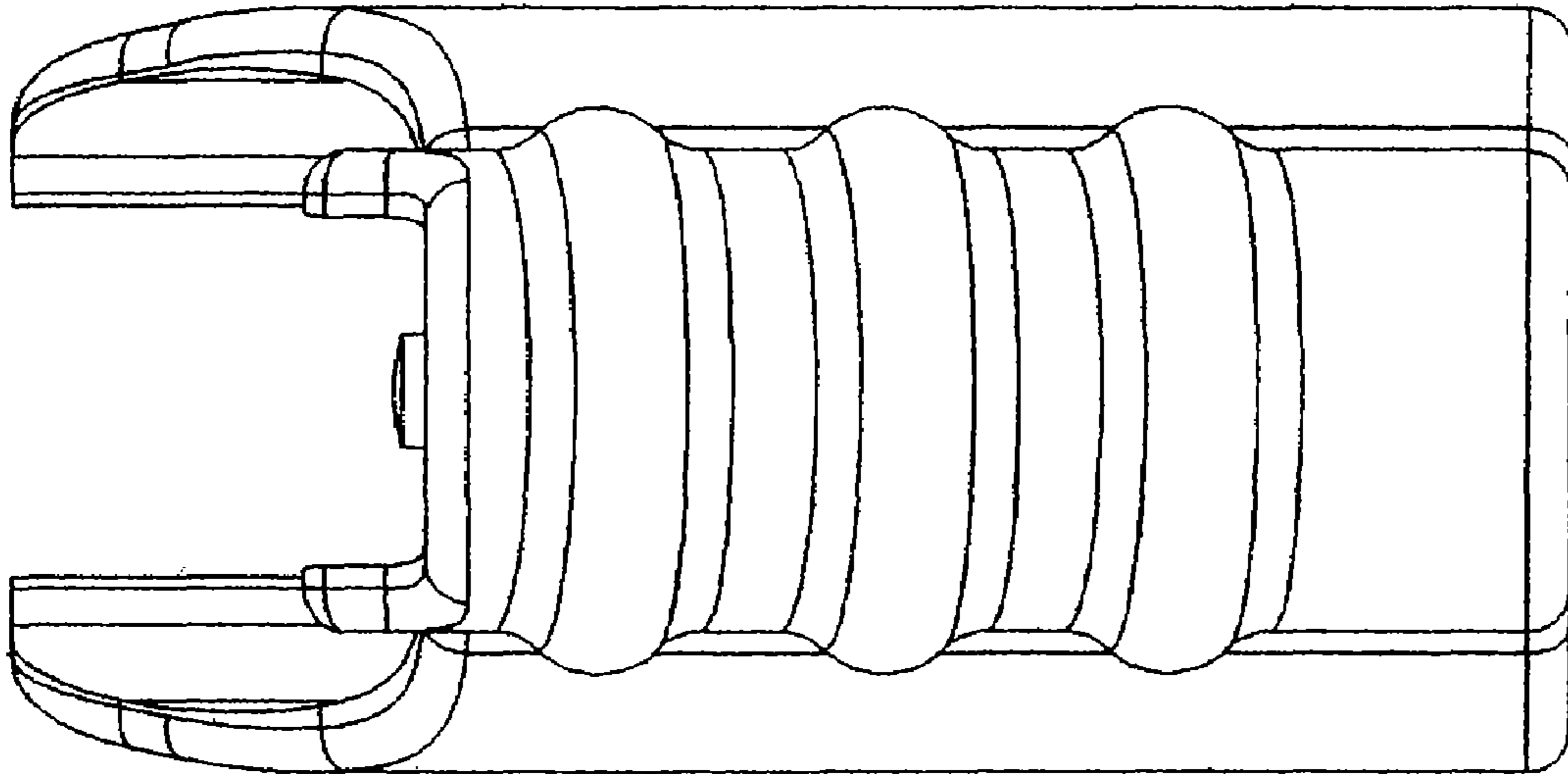


FIG. 4

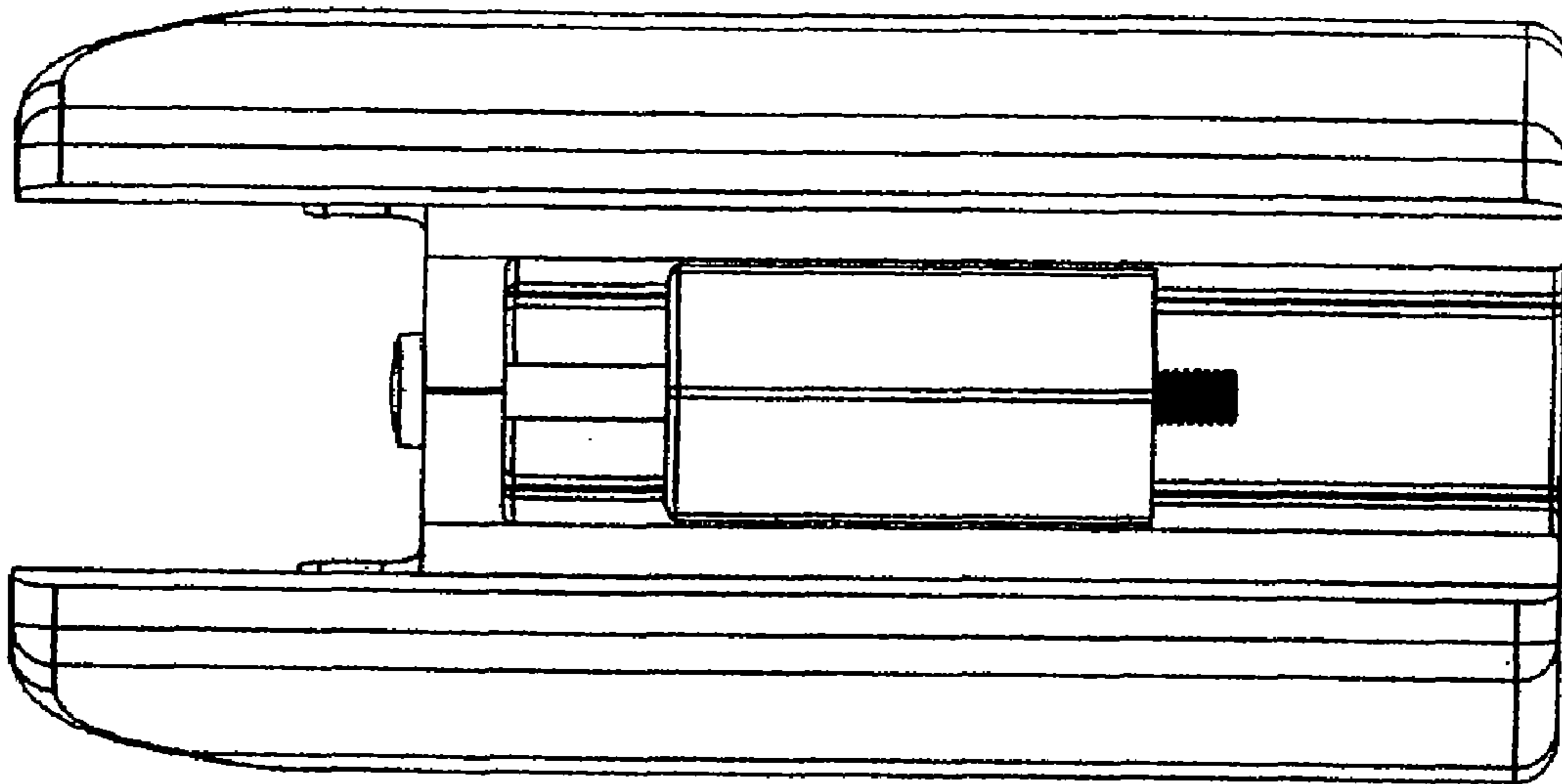


FIG. 5

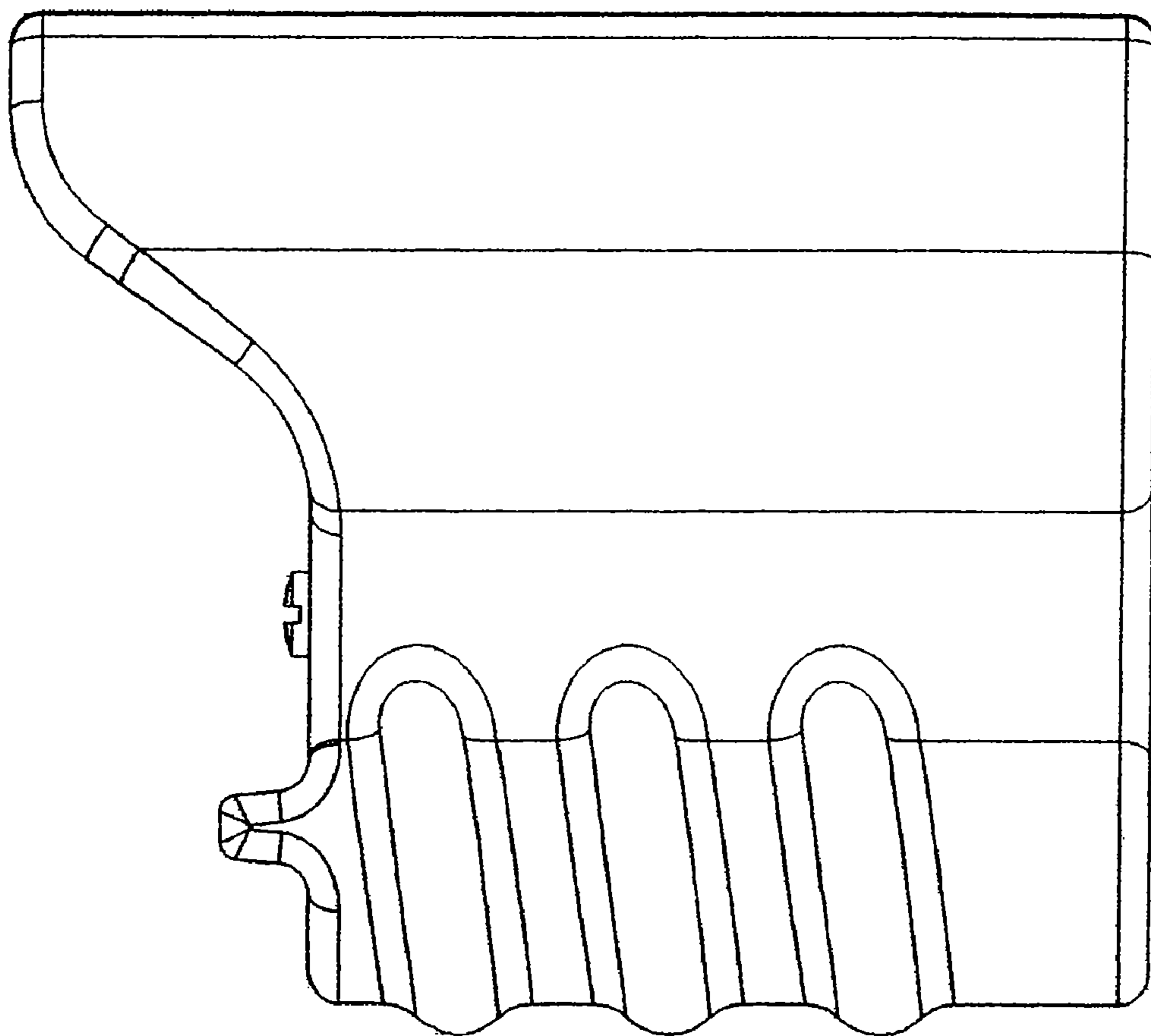


FIG. 6