



US00D555221S

(12) **United States Design Patent**
Munshi

(10) **Patent No.:** **US D555,221 S**

(45) **Date of Patent:** **** Nov. 13, 2007**

(54) **GOLF PRACTICE DEVICE**

(76) Inventor: **Anees Munshi**, 49 Jacana Street,
Woodbridge, Ontario (CA) L4L 4J3

(**) Term: **14 Years**

(21) Appl. No.: **29/229,584**

(22) Filed: **May 10, 2005**

(51) **LOC (8) Cl.** **21-02**

(52) **U.S. Cl.** **D21/791**

(58) **Field of Classification Search** D21/789,
D21/791, 792; 473/138-149; 206/315.1,
206/315.9

See application file for complete search history.

(56) **References Cited**

U.S. PATENT DOCUMENTS

4,523,760 A * 6/1985 Bednarczuk 473/197
D500,544 S * 1/2005 Wu D21/791
D503,448 S * 3/2005 Isom D21/790

* cited by examiner

Primary Examiner—Mitchell Siegel

(74) *Attorney, Agent, or Firm*—Katten Muchin Rosenman
LLP

(57) **CLAIM**

The ornamental design for a golf practice device, as shown.

DESCRIPTION

FIG. 1 is a perspective view of a golf practice device showing my new design;

FIG. 2 is a top plan view thereof;

FIG. 3 is a bottom plan view thereof;

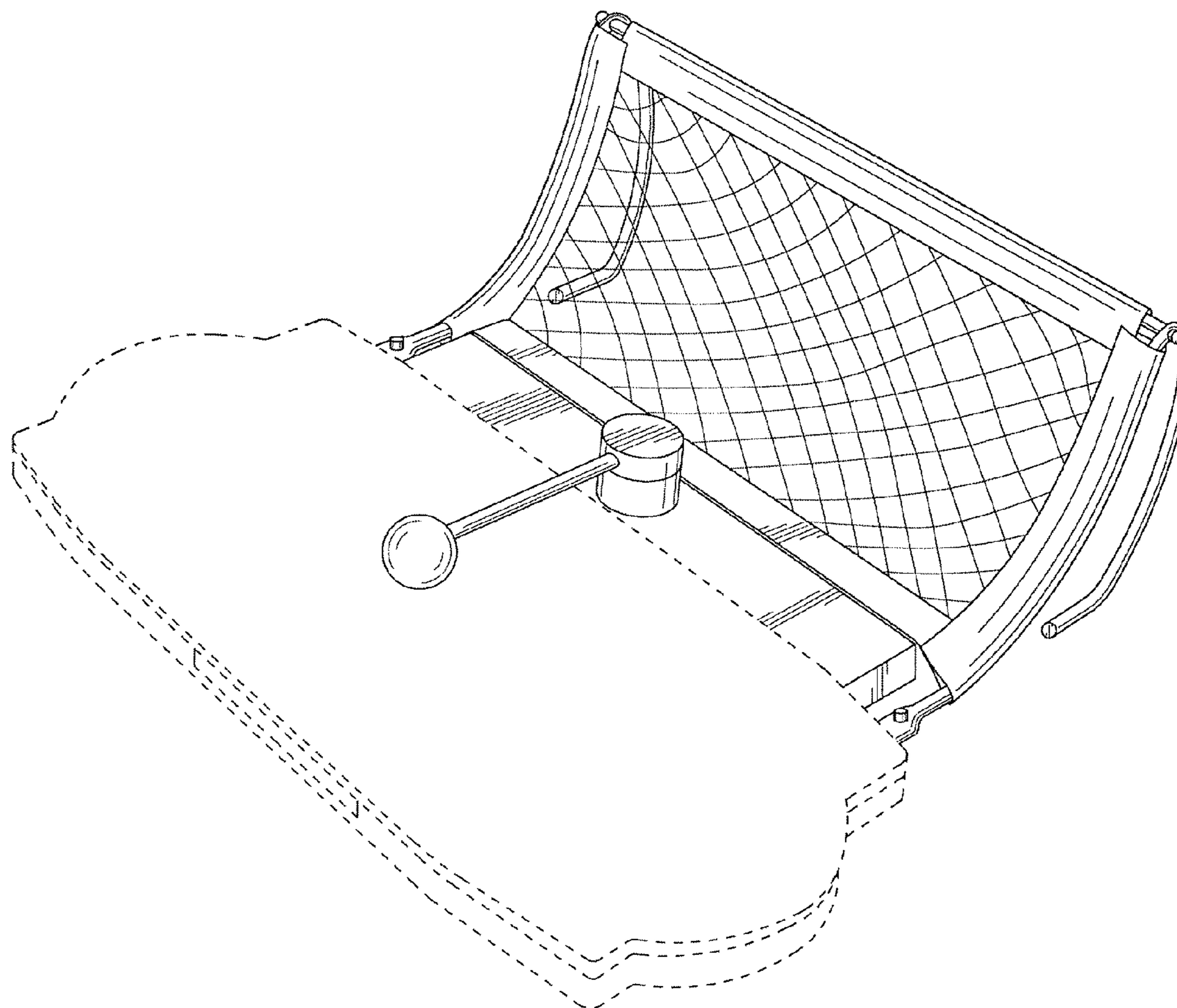
FIG. 4 is a right side elevational view thereof;

FIG. 5 is a front elevational view thereof; and,

FIG. 6 is a rear elevational view thereof.

The mat is shown in broken lines for illustrative purposes only and forms no part of the claimed design.

1 Claim, 6 Drawing Sheets



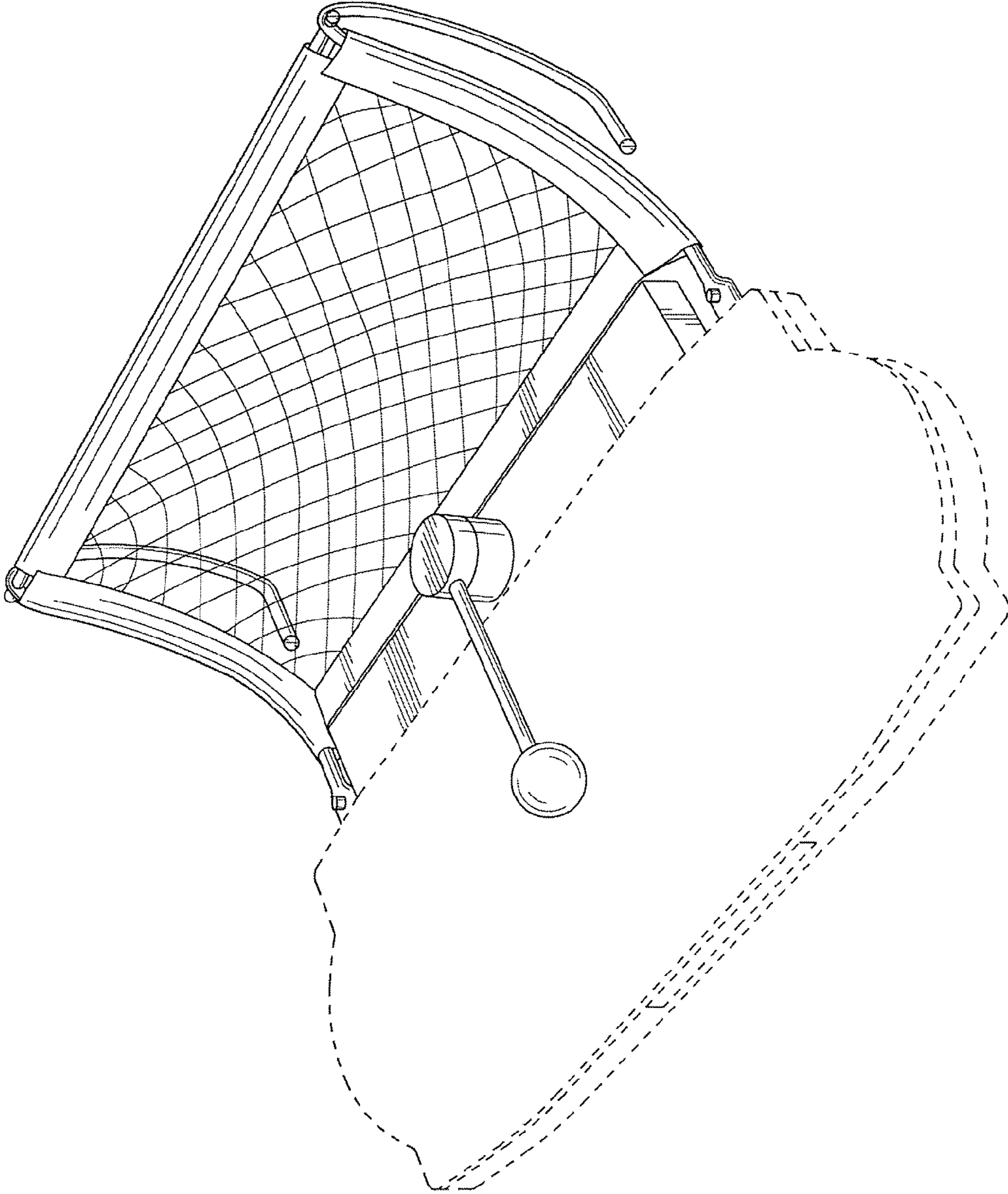


FIG. 1

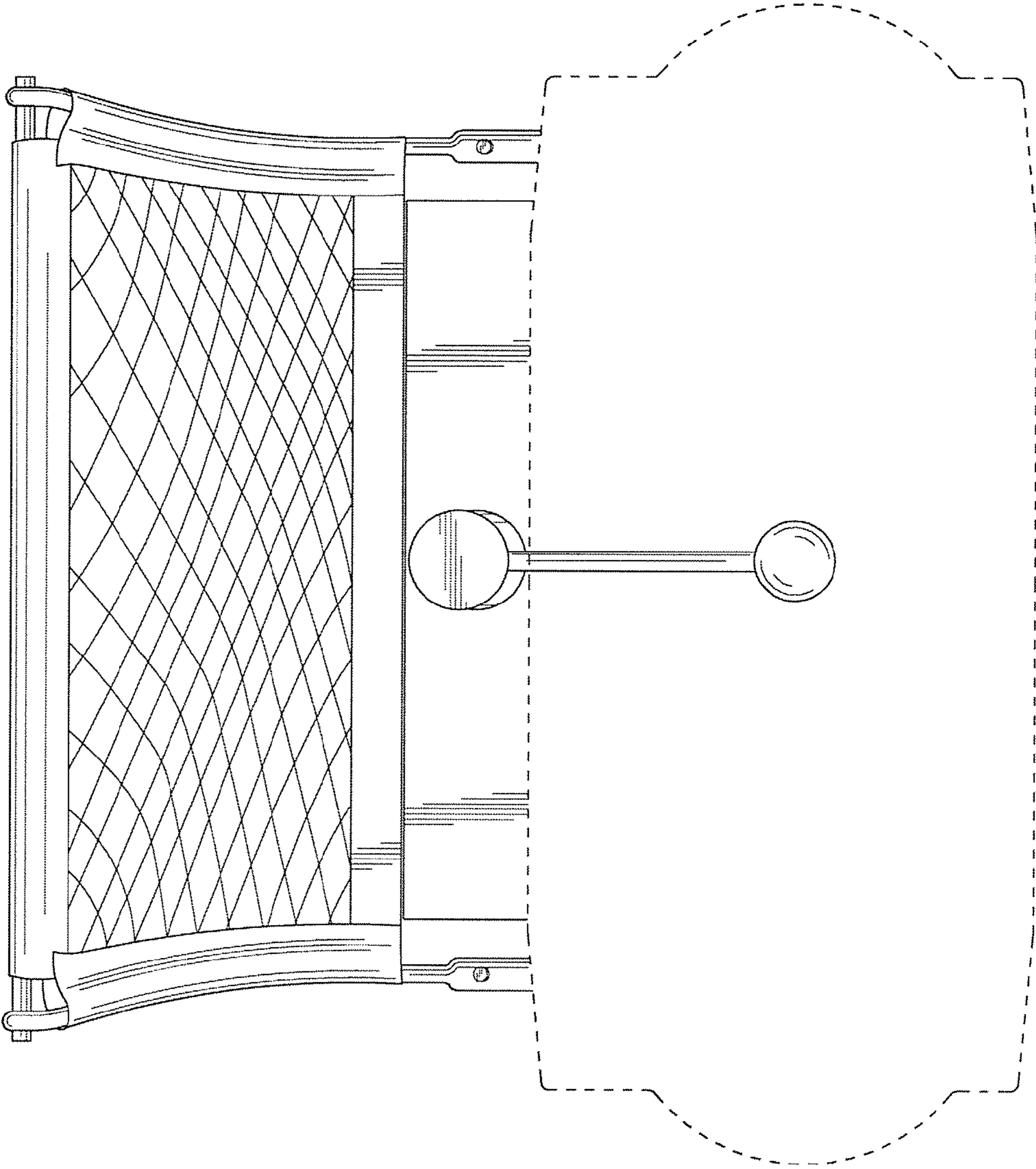


FIG. 2

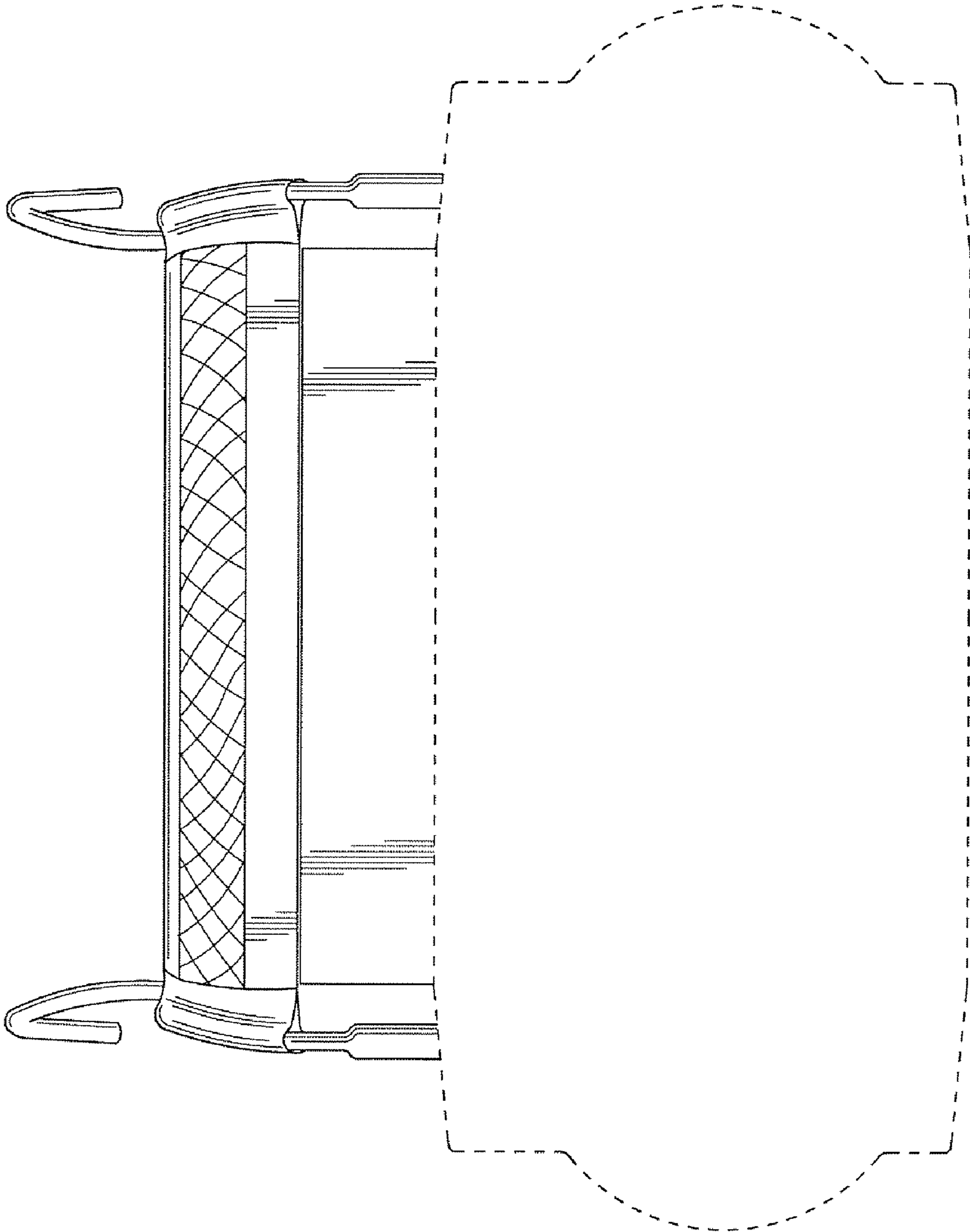


FIG. 3

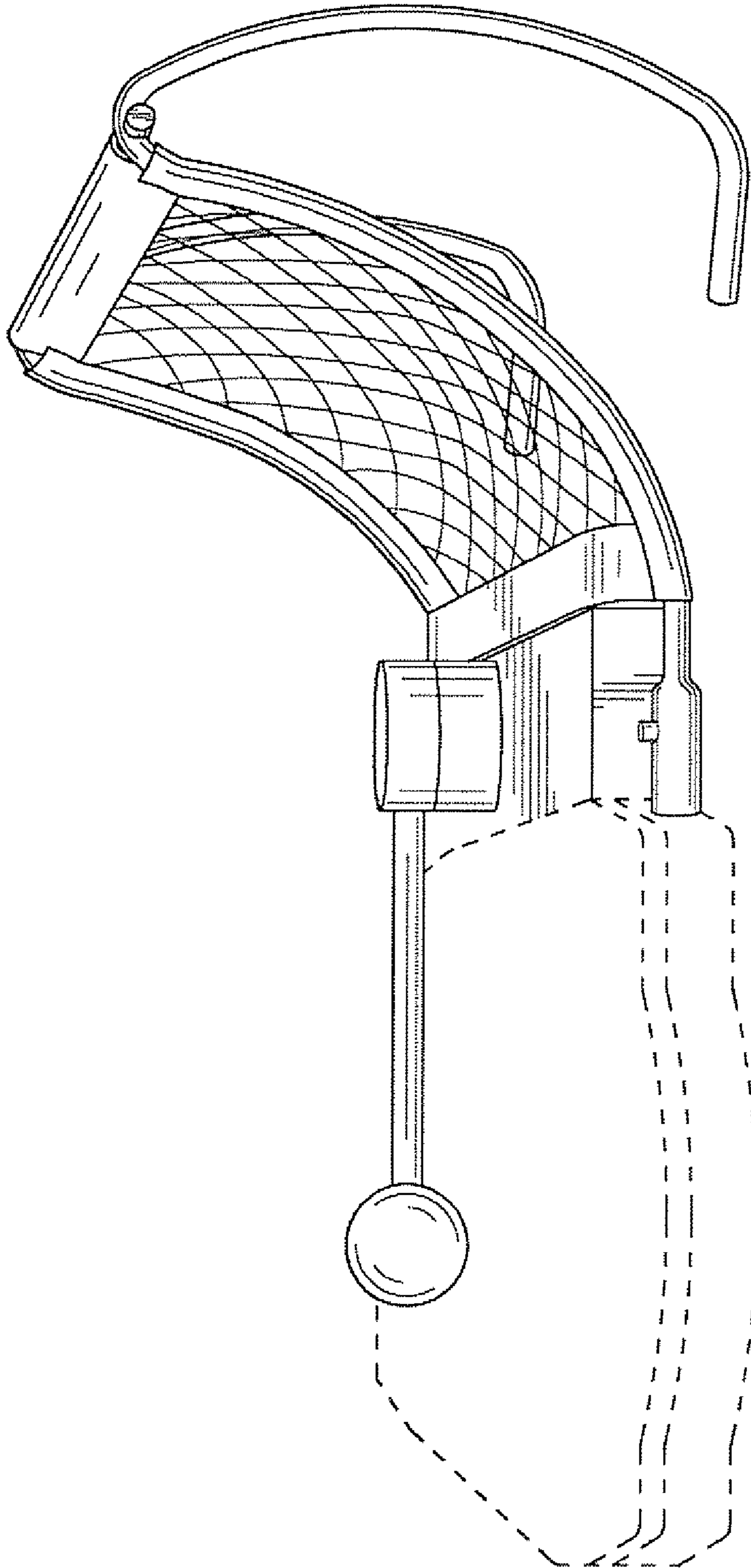


FIG. 4

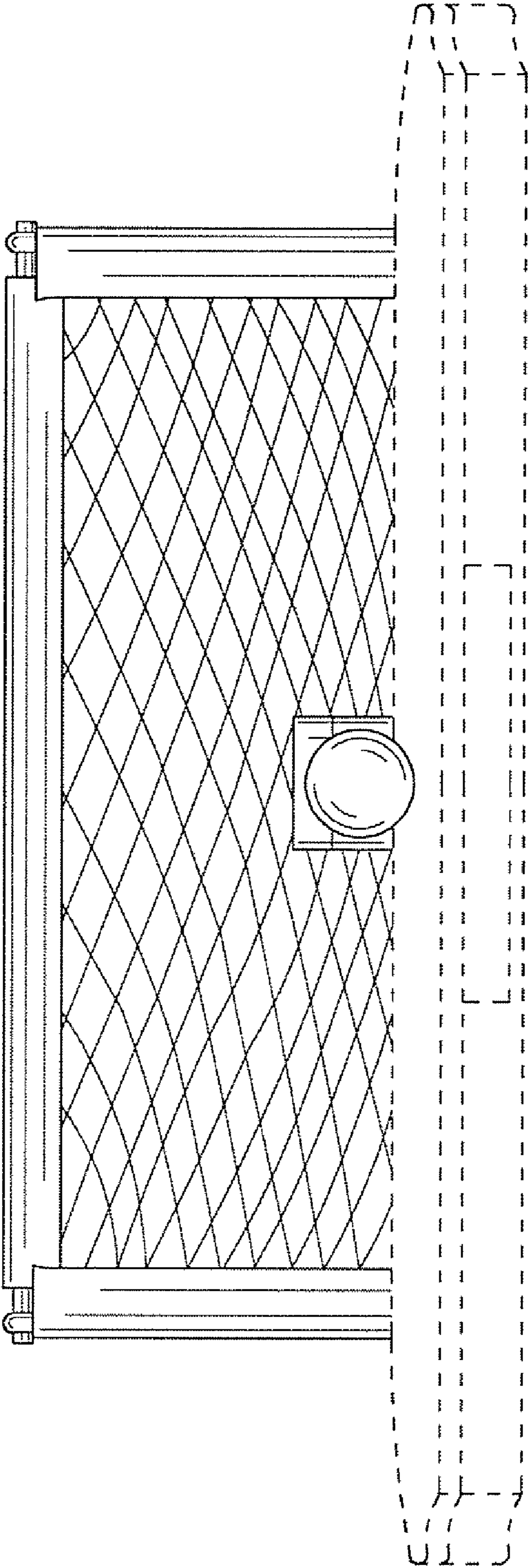


FIG. 5

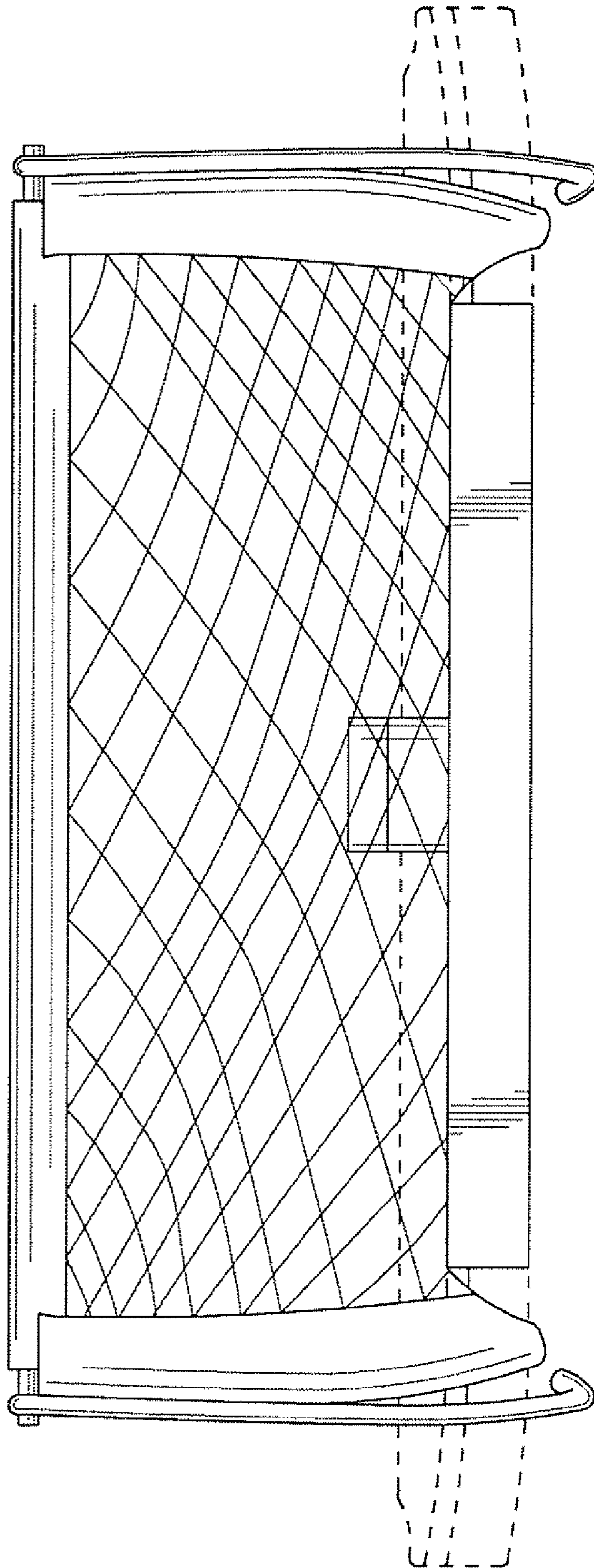


FIG. 6