



US00D555218S

(12) **United States Design Patent** (10) **Patent No.:** **US D555,218 S**  
**Lee et al.** (45) **Date of Patent:** **\*\* Nov. 13, 2007**

(54) **GOLF TEE** 2006/0276269 A1\* 12/2006 Kihara ..... 473/387

(75) Inventors: **Hyung Choon Lee**, 146-3, Oryu-dong, Guro-gu, Seoul (KR) 152-100; **Seong Eun Lee**, 146-3, Oryu-dong, Guro-gu, Seoul (KR) 152-100

(73) Assignees: **Hyung Choon Lee**, Bucheon-Si (KR); **Seong Eun Lee**, Bucheon-Si (KR); **Koviss Sport Co., Ltd**, Seoul (KR)

(\*\*) Term: **14 Years**

(21) Appl. No.: **29/272,913**

(22) Filed: **Feb. 22, 2007**

(30) **Foreign Application Priority Data**

Jan. 22, 2007 (KR) ..... 30-2007-0002914

(51) **LOC (8) Cl.** ..... **21-02**

(52) **U.S. Cl.** ..... **D21/718**

(58) **Field of Classification Search** ..... D21/715-721, D21/789-796; 473/387-403  
See application file for complete search history.

(56) **References Cited**

**U.S. PATENT DOCUMENTS**

1,573,911	A *	2/1926	Budrow	.....	473/396
D78,530	S *	5/1929	McLeod	.....	D21/717
D81,315	S *	6/1930	McLeod	.....	D21/717
3,414,268	A *	12/1968	Chase	.....	473/396
D258,227	S *	2/1981	Coonen	.....	D21/718
D482,086	S *	11/2003	Metz	.....	D21/718
6,783,470	B2 *	8/2004	Lee	.....	473/401
D516,648	S *	3/2006	Lee et al.	.....	D21/718
2006/0105861	A1 *	5/2006	Yang	.....	473/396

**FOREIGN PATENT DOCUMENTS**

GB	2420081	A *	5/2006
JP	2005224586	A *	8/2005
JP	2005296330	A *	10/2005
JP	2006341016	A *	12/2006
KR	2005122185	A *	12/2005

\* cited by examiner

*Primary Examiner*—Catherine Tuttle

(74) *Attorney, Agent, or Firm*—Birch, Stewart, Kolasch & Birch, LLP

(57) **CLAIM**

The ornamental design for the golf tee, as shown and described.

**DESCRIPTION**

FIG. 1 is perspective view of the golf tee showing our new design;

FIG. 2 is a front view thereof;

FIG. 3 is a rear view thereof;

FIG. 4 is a left side view thereof;

FIG. 5 is a right side view thereof;

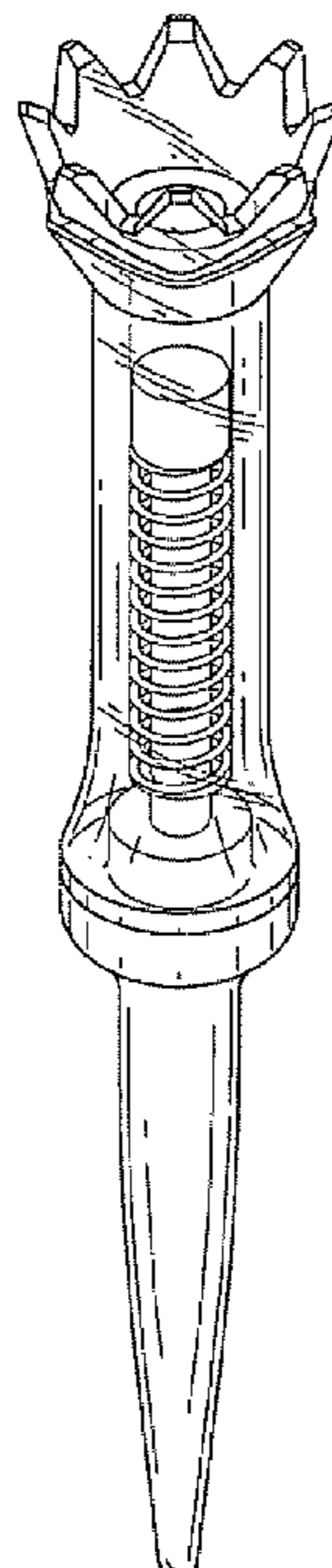
FIG. 6 is a top view thereof;

FIG. 7 is a bottom view thereof; and,

FIG. 8 is an elevational view showing the golf tee in use.

The broken line showing of the golf ball and ground is included for the purpose of illustrating the environment of the design and forms no part of the claimed design.

**1 Claim, 7 Drawing Sheets**



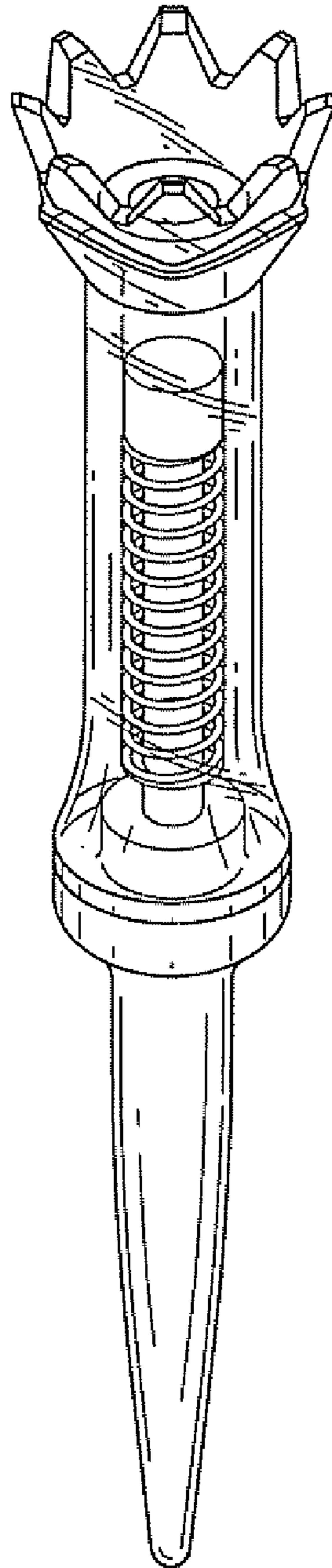


FIG. 1

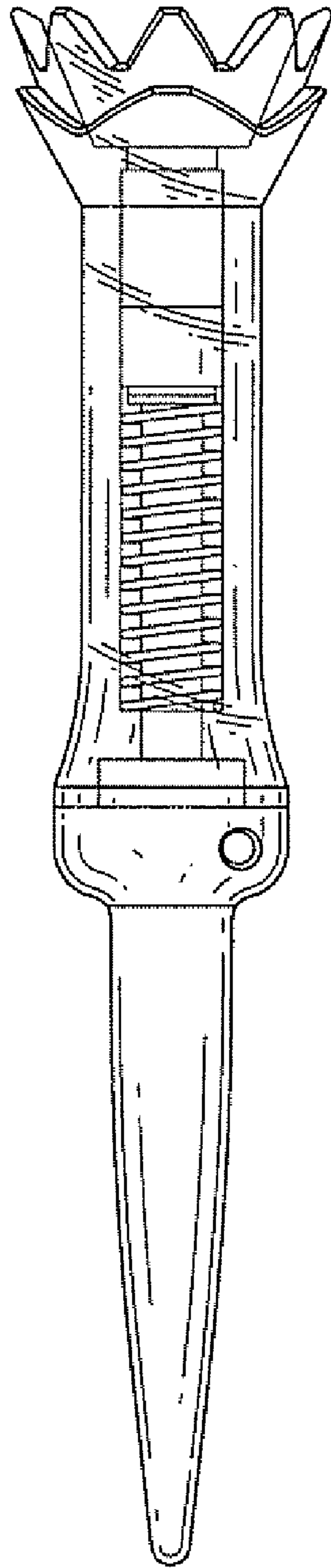


FIG.2

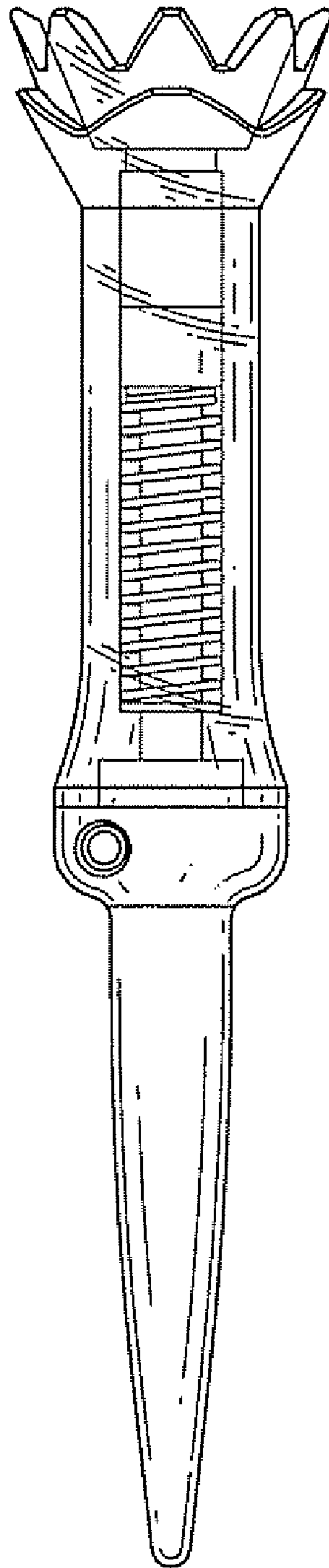


FIG.3

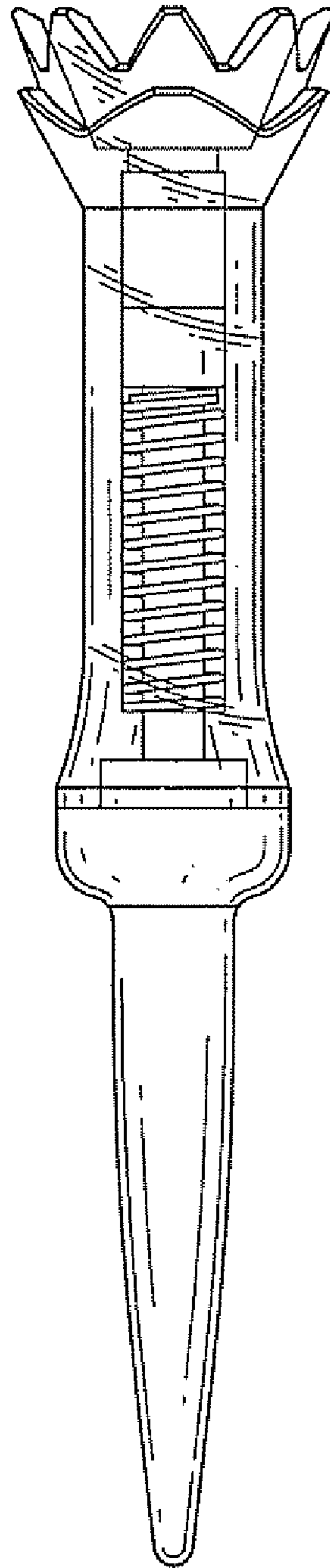


FIG.4

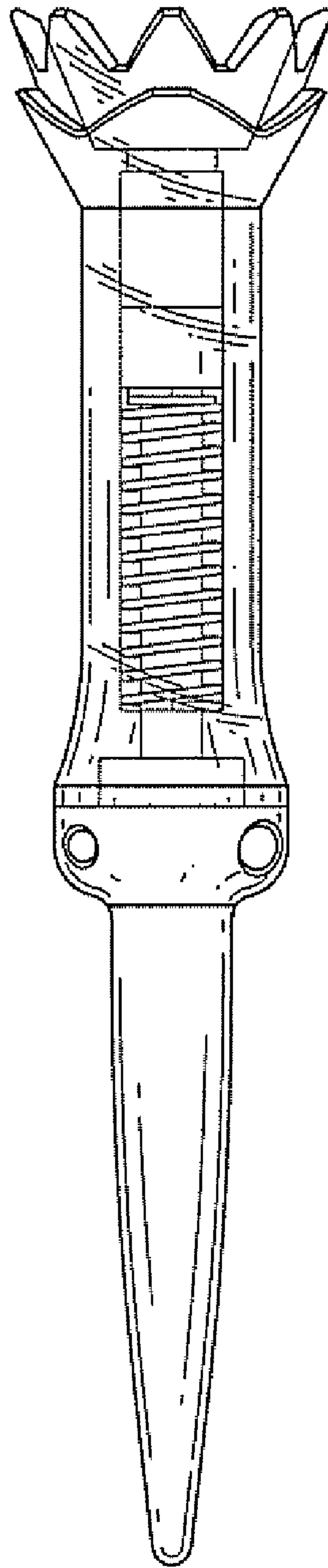


FIG. 5

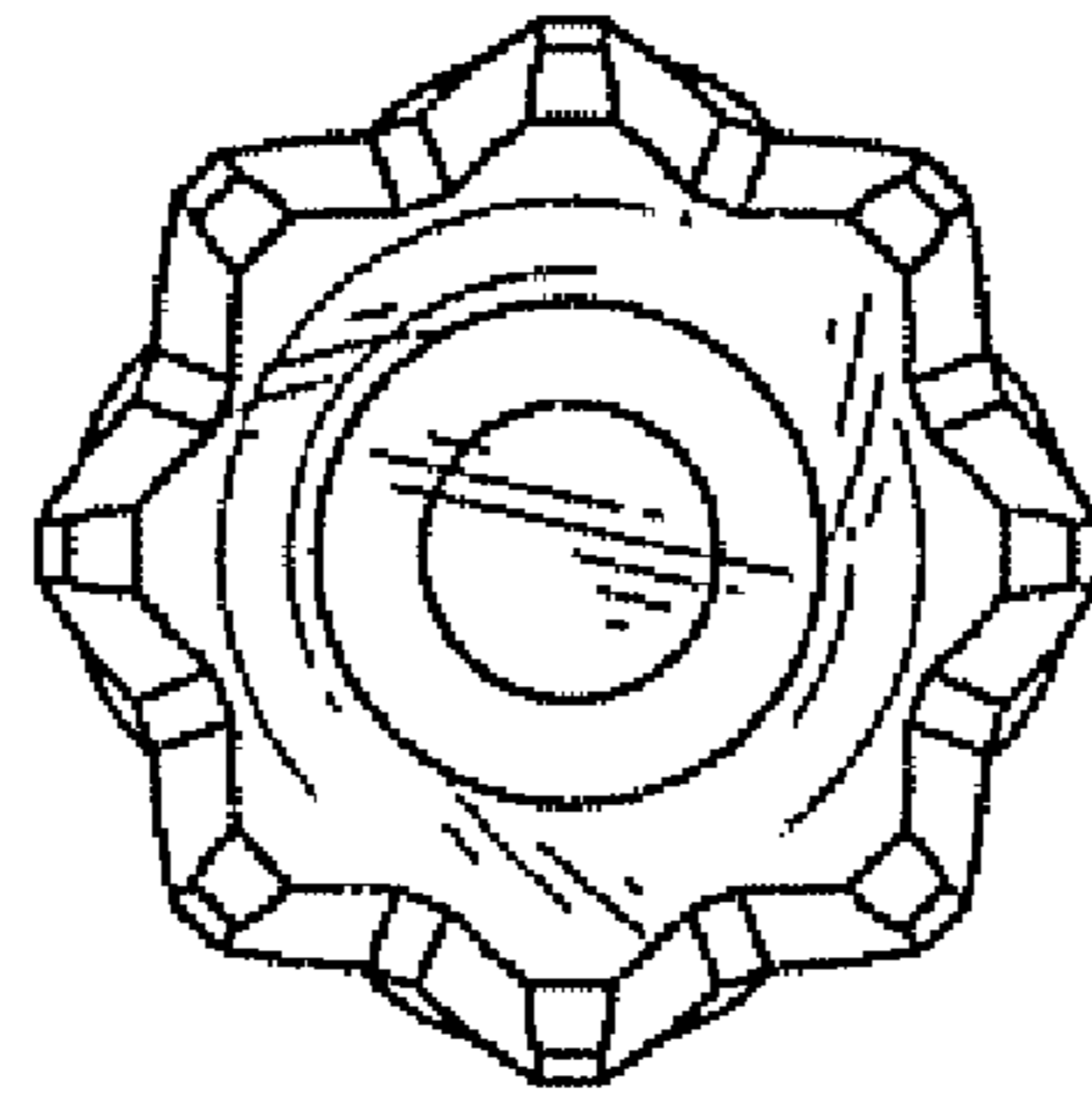


FIG. 6

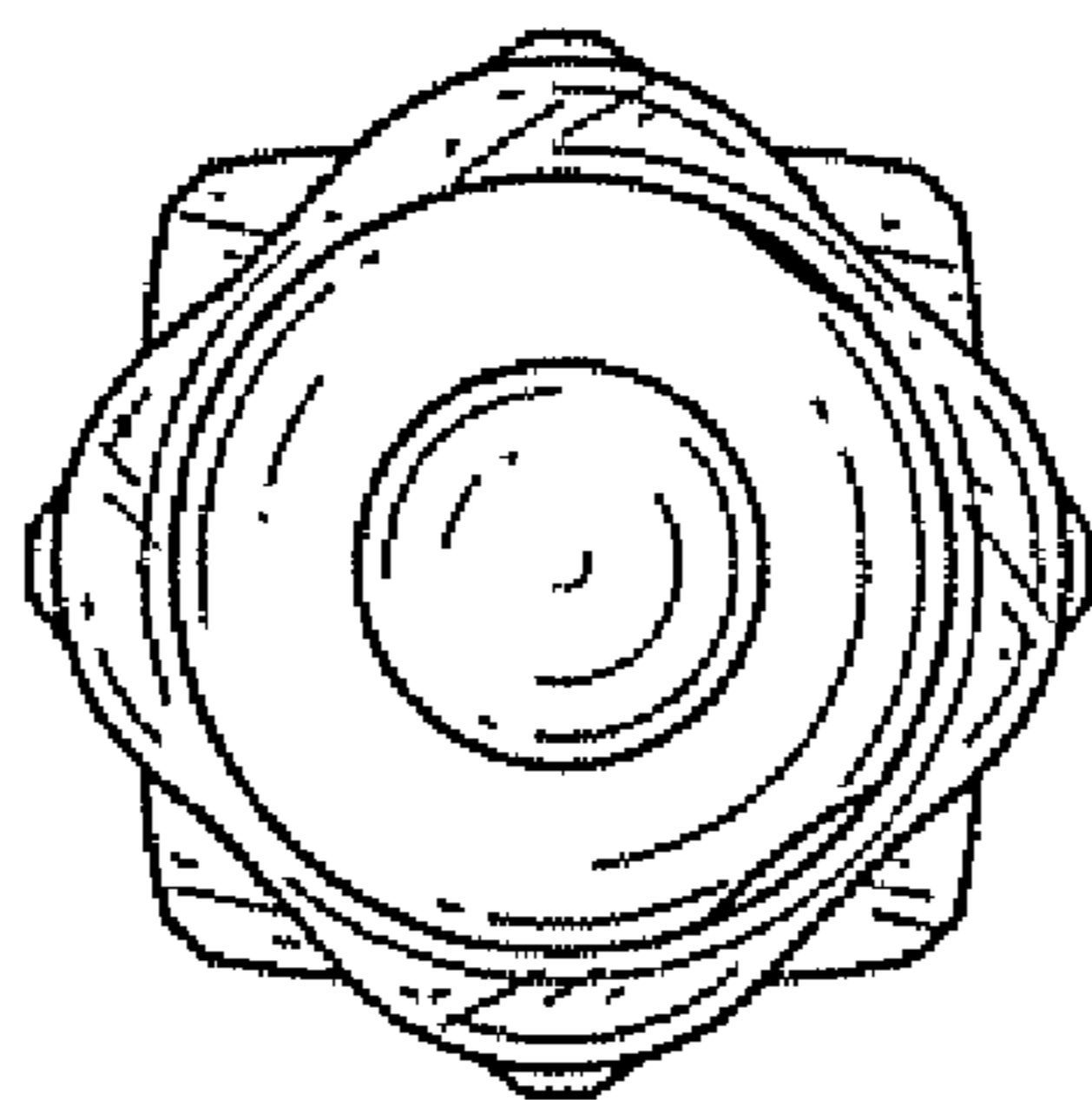


FIG. 7

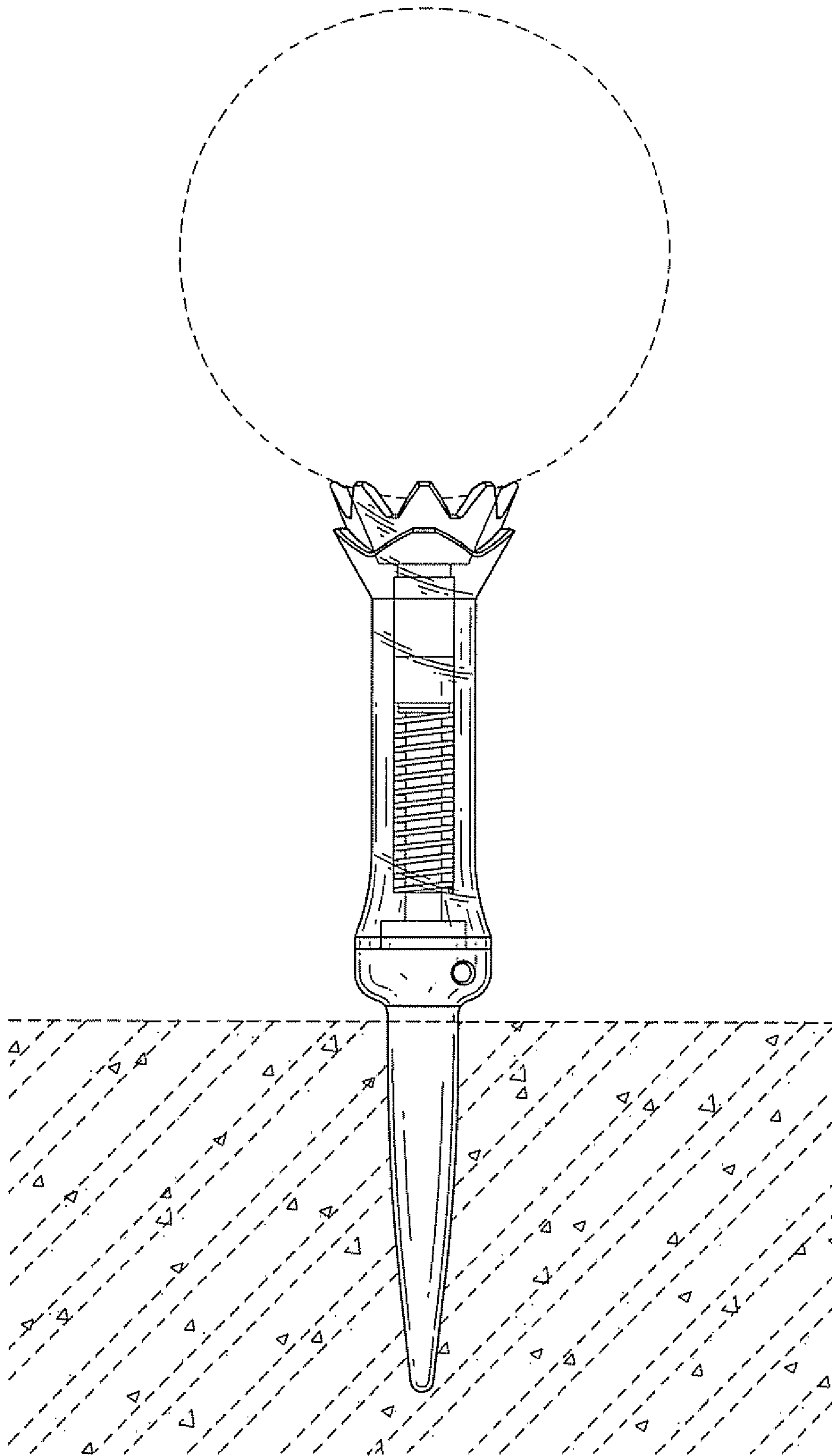


FIG.8