



US00D555211S

(12) **United States Design Patent** (10) **Patent No.:** **US D555,211 S**  
**Knight et al.** (45) **Date of Patent:** **\*\* Nov. 13, 2007**

(54) **FOLD-OUT PLAYSETS WITH POP-UP STRUCTURES**

6,099,380 A \* 8/2000 Rasmussen ..... 446/478

\* cited by examiner

(75) Inventors: **James Knight**, Pasadena, CA (US);  
**Julian Payne**, Los Angeles, CA (US);  
**Kwun Chung Mo**, Hong Kong (CN);  
**Alan Cheung**, Hong Kong (CN); **Pitt Lau**, Hong Kong (CN)

*Primary Examiner*—Holly H. Baynham  
*Assistant Examiner*—Cynthia M. Chin  
(74) *Attorney, Agent, or Firm*—Kolisch Hartwell, P.C.

(73) Assignee: **Mattel, Inc.**, El Segundo, CA (US)

(57) **CLAIM**

(\*\*) Term: **14 Years**

We claim the ornamental design for a fold-out playset with pop-up structures, as shown and described.

(21) Appl. No.: **29/261,015**

**DESCRIPTION**

(22) Filed: **Jun. 5, 2006**

**Related U.S. Application Data**

(63) Continuation-in-part of application No. 11/446,404, filed on Jun. 2, 2006.

FIG. 1 is a front perspective view of a fold-out playset with pop-up structures according to the present disclosure.

FIG. 2 is a top plan view of the fold-out playset with pop-up structures of FIG. 1.

FIG. 3 is a front elevation view of the fold-out playset with pop-up structures of FIG. 1.

(51) **LOC (8) Cl.** ..... **21-01**

(52) **U.S. Cl.** ..... **D21/509**

(58) **Field of Classification Search** ..... D21/391,  
D21/506–511, 560, 531, 814, 816, 818, 826,  
D21/827; 446/75, 82, 85, 102, 103, 109–111,  
446/115, 444, 476–478, 487

See application file for complete search history.

FIG. 4 is a rear elevation view of the fold-out playset with pop-up structures of FIG. 1.

FIG. 5 is a left side elevation view of the fold-out playset with pop-up structures of FIG. 1; and,

FIG. 6 is a right side elevation view of the fold-out playset with pop-up structures of FIG. 1.

(56) **References Cited**

**U.S. PATENT DOCUMENTS**

D233,458 S *	10/1974	Relling, Jr. ....	D21/509
4,254,576 A *	3/1981	Matsumoto et al. ....	446/444
4,365,438 A *	12/1982	Nelson .....	446/75
D267,570 S *	1/1983	Argandona .....	D21/509
D269,360 S *	6/1983	Ng .....	D21/509
4,433,504 A *	2/1984	Terui .....	446/75
D282,385 S *	1/1986	Argandona .....	D21/507
D303,407 S *	9/1989	Mazzocco .....	D21/509
D366,290 S *	1/1996	Dieudonne .....	D21/509
D394,476 S *	5/1998	Blumenthal .....	D21/509

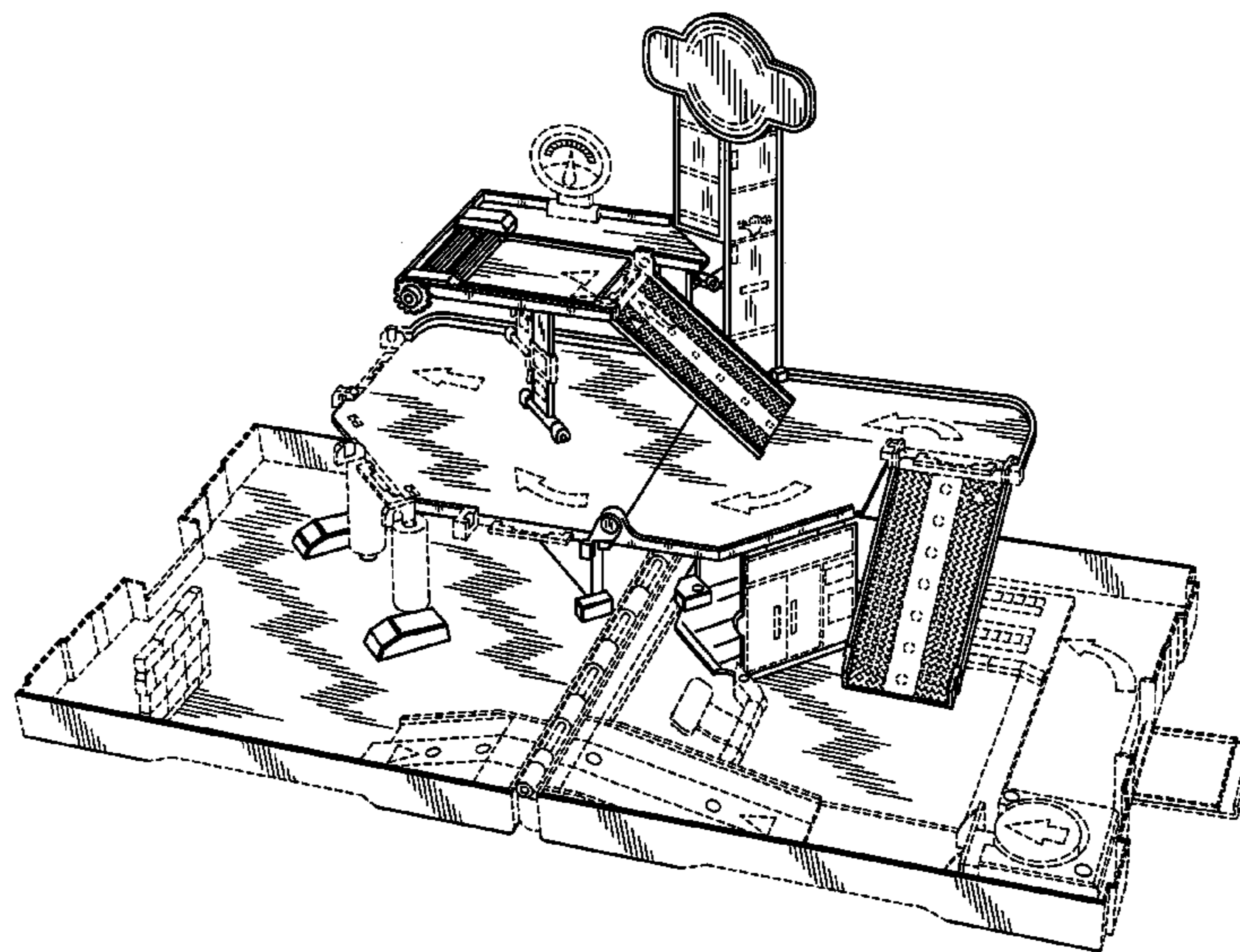
The broken line(s) shown in the drawings are for illustrative purposes only and form no part of the claimed design.

The bottom of the design is flat and unornamented, so the bottom view has been omitted.

The shading lines shown in the drawing(s) represent the three-dimensional contour of the design, and are not intended to indicate surface decoration.

Portions of the claim the ornamental design for a fold that are not shown in the drawing(s) form no part of the claimed design.

**1 Claim, 6 Drawing Sheets**



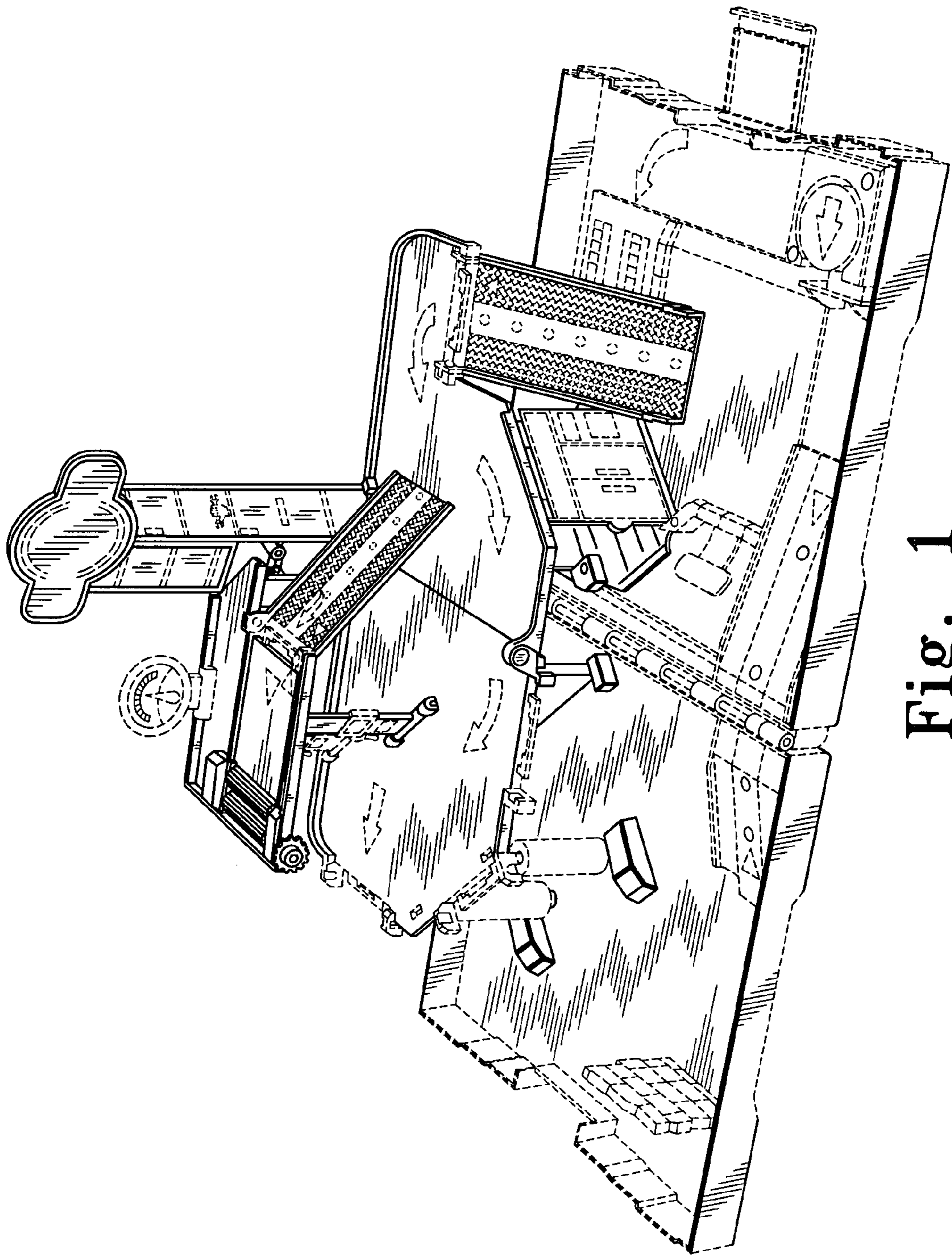


Fig. 1

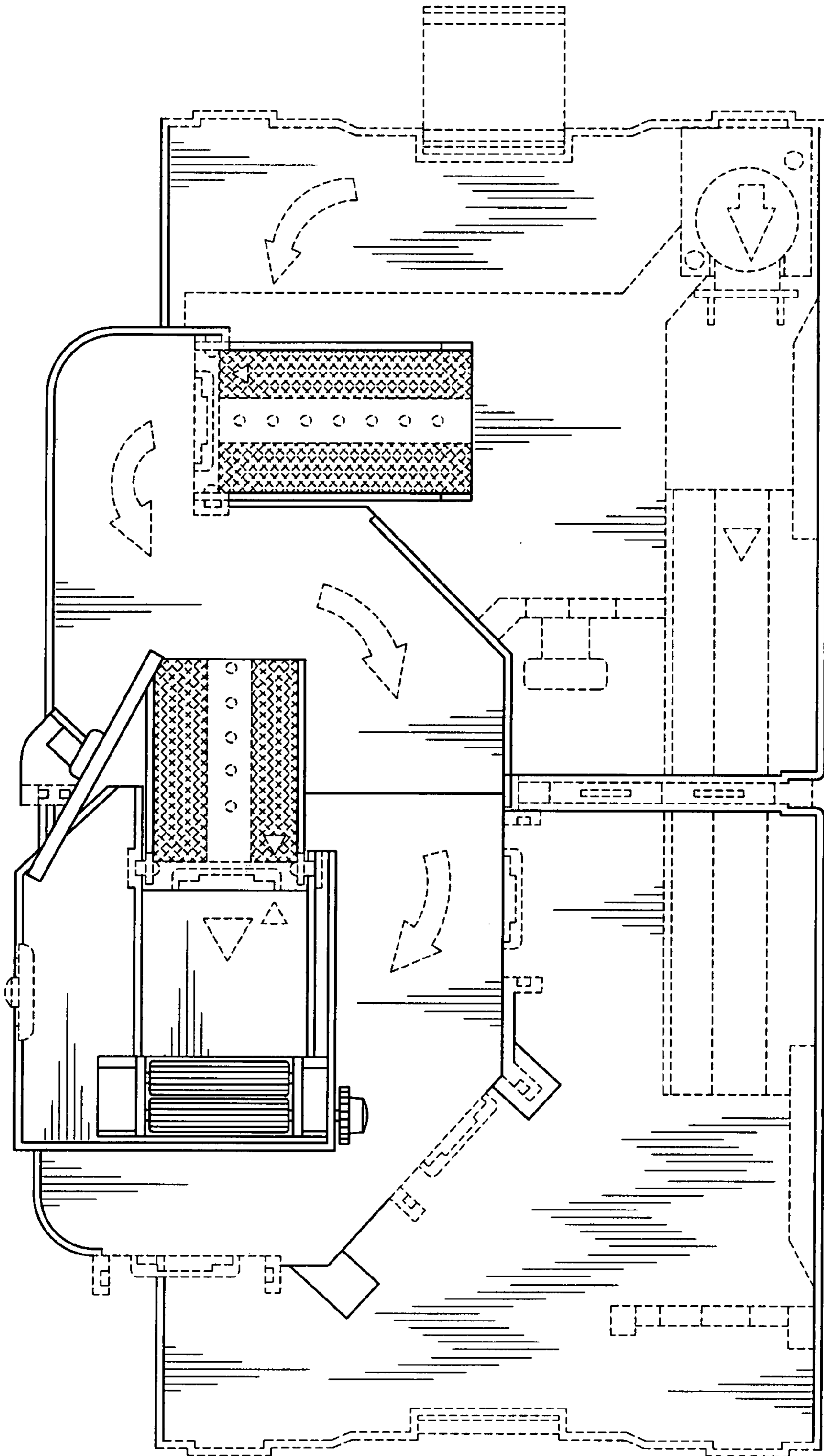


Fig. 2

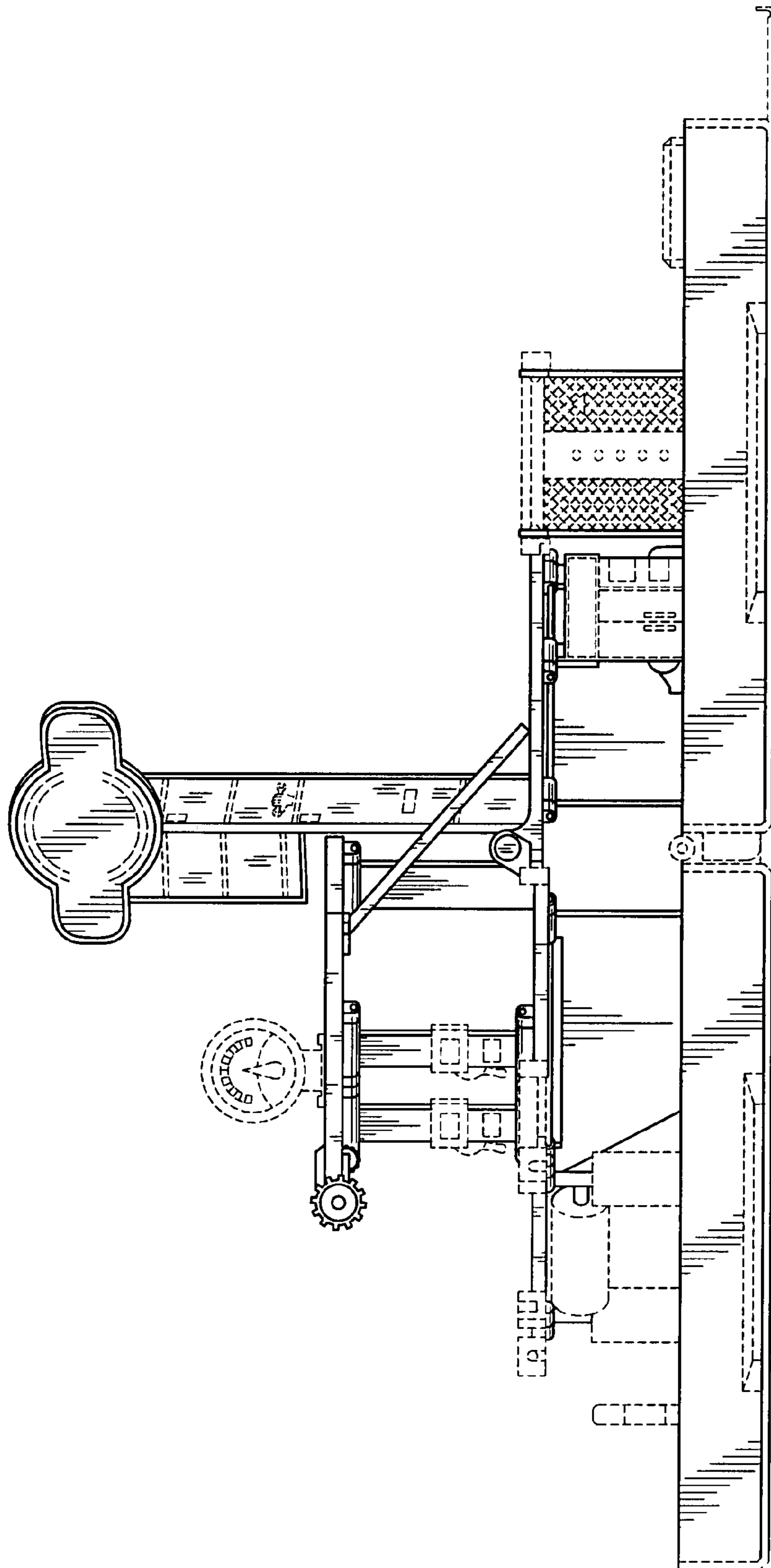


Fig. 3

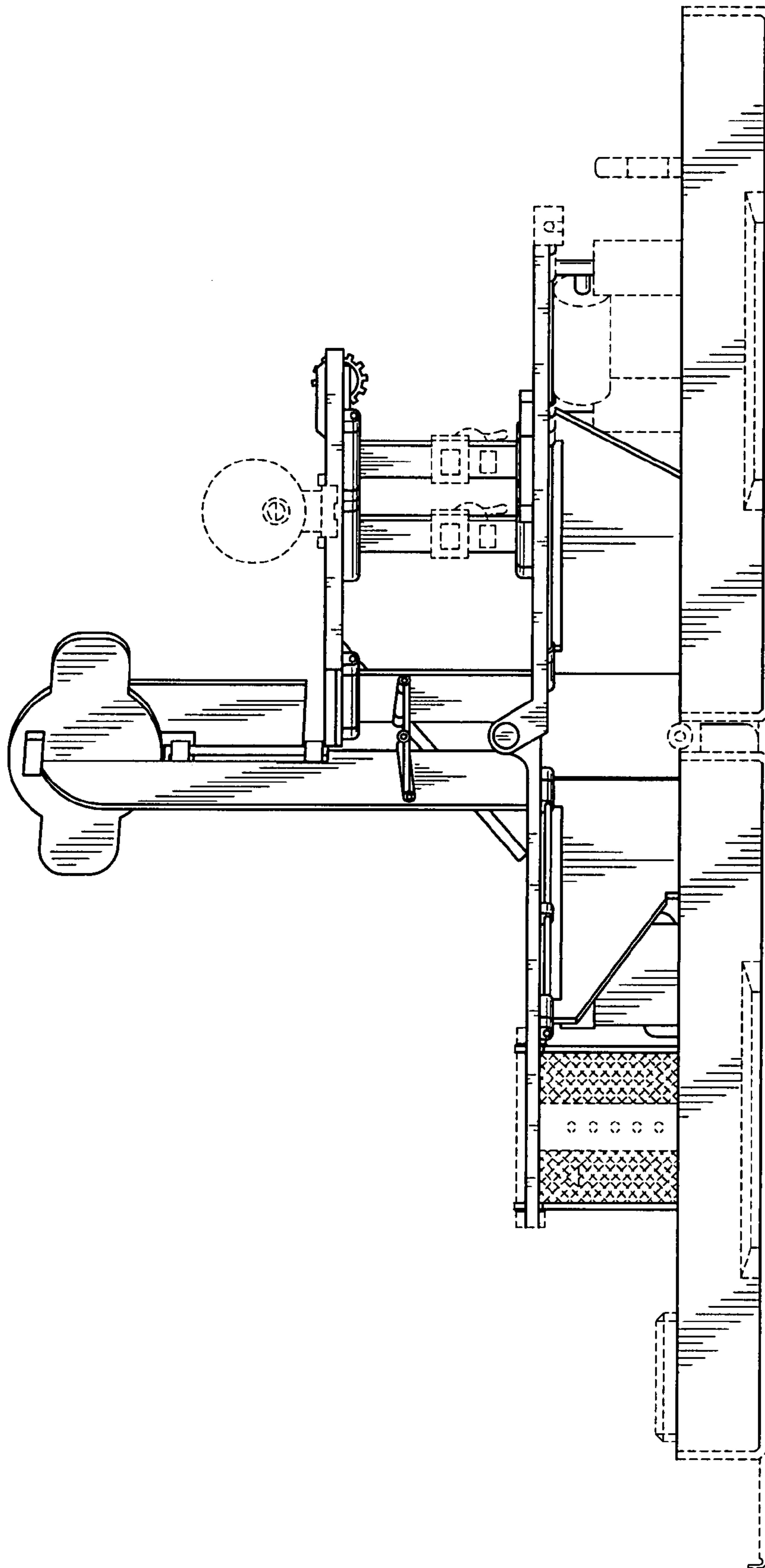


Fig. 4

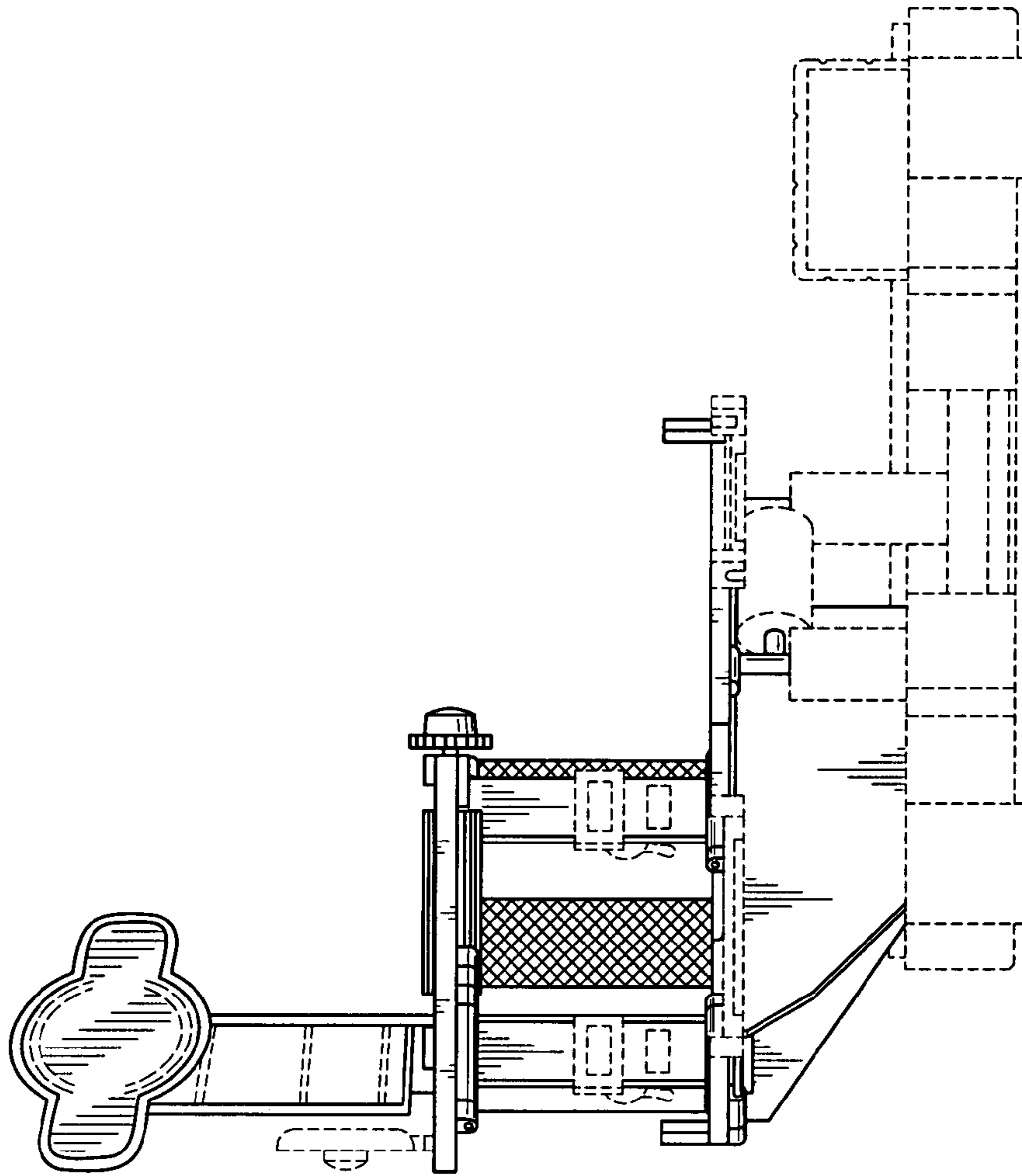


Fig. 5

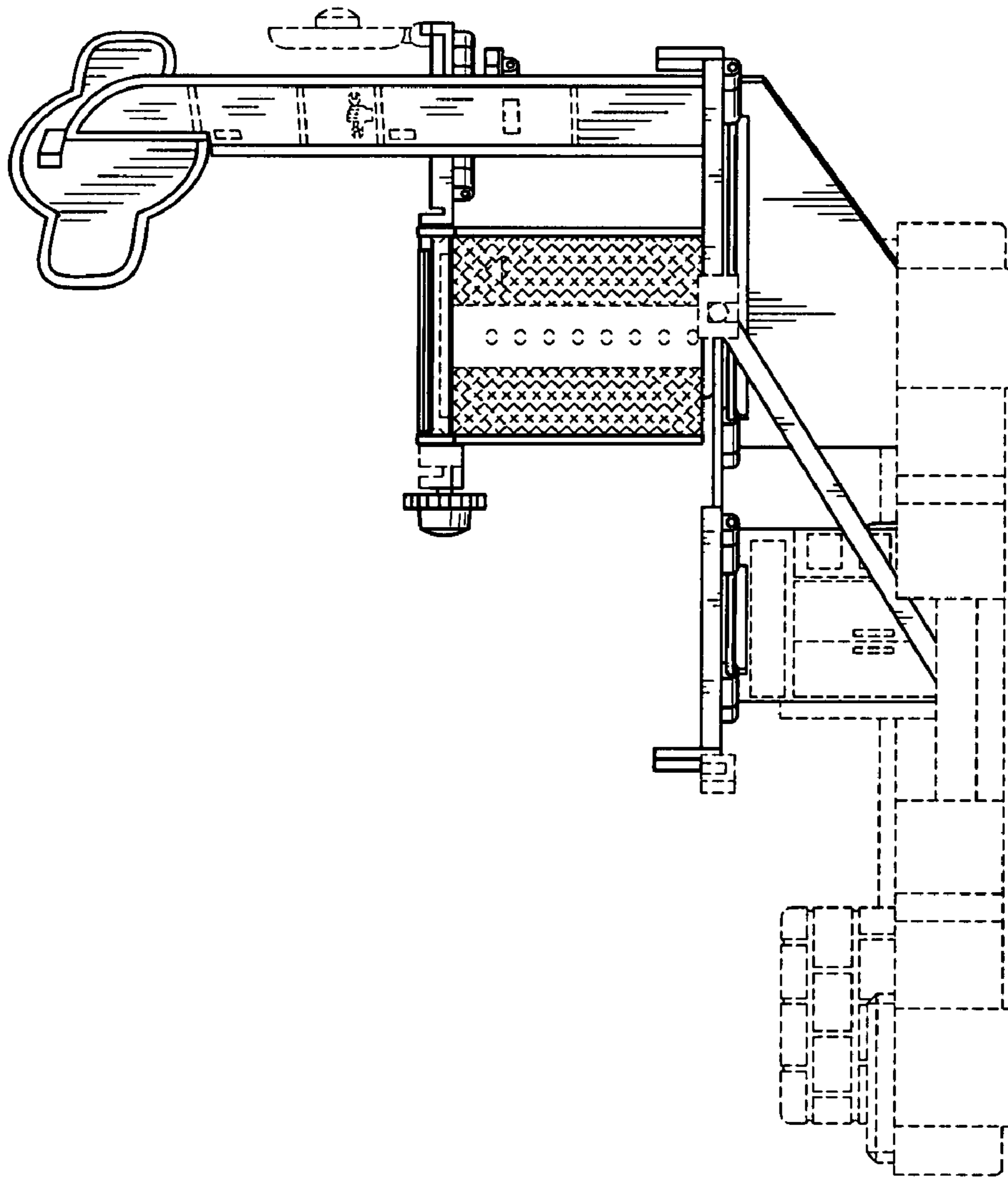


Fig. 6