



US00D555209S

(12) **United States Design Patent** (10) **Patent No.:** **US D555,209 S**  
**Malone et al.** (45) **Date of Patent:** **\*\* Nov. 13, 2007**

(54) **ONLINE AND GAMING KIOSK**

(75) Inventors: **Richard Lee Malone**, Superior, CO (US); **Justin Conrad Lang**, Denver, CO (US); **Nghia (Neil) Nguyen**, Federal Heights, CO (US)

(73) Assignee: **Kiosk Information Systems, Inc.**, Louisville, CO (US)

(\*\*) Term: **14 Years**

(21) Appl. No.: **29/262,610**

(22) Filed: **Jul. 6, 2006**

(51) **LOC (8) Cl.** ..... **21-03**

(52) **U.S. Cl.** ..... **D21/370; D14/305**

(58) **Field of Classification Search** ..... D21/325, D21/329, 369-371; D14/305-307, 336, D14/900-902; 463/16-17, 20, 25, 46-47; D25/16; D99/28; 312/223.2

See application file for complete search history.

(56) **References Cited**

**U.S. PATENT DOCUMENTS**

5,114,157	A *	5/1992	Kita	.....	463/46
D375,726	S *	11/1996	Witte	.....	D14/305
D404,025	S *	1/1999	Van Horne et al.	.....	D14/902
5,949,688	A	9/1999	Montoya et al.		
5,950,173	A	9/1999	Perkowski		
5,963,916	A	10/1999	Kaplan		
6,032,130	A	2/2000	Alloul et al.		
D472,936	S *	4/2003	Ohtomi et al.	.....	D21/325
D473,269	S *	4/2003	Tsuda	.....	D21/329
D496,407	S *	9/2004	Gadda et al.	.....	D21/370
6,851,092	B2	2/2005	Chang et al.		

D508,269	S *	8/2005	Wichinsky	.....	D21/369
2001/0054019	A1	12/2001	de Fabrega		
2002/0120577	A1	8/2002	Hans et al.		
2003/0163382	A1	8/2003	Stefanik et al.		
2003/0191816	A1	10/2003	Landress et al.		
2004/0064377	A1	4/2004	Ergo et al.		
2004/0162779	A1	8/2004	Kramer		
2004/0172325	A1	9/2004	Blanco et al.		
2004/0218047	A1	11/2004	Goodman et al.		
2004/0254940	A1	12/2004	Brush		
2005/0071319	A1	3/2005	Kelley et al.		
2005/0076020	A1	4/2005	Huntley et al.		
2005/0076028	A1	4/2005	Kimura		
2005/0091688	A1	4/2005	Chang et al.		

\* cited by examiner

*Primary Examiner*—Sandra L. Morris

(74) *Attorney, Agent, or Firm*—Faegre & Benson LLP

(57) **CLAIM**

The ornamental design for the online and gaming kiosk, as shown and described.

**DESCRIPTION**

FIG. 1 is a perspective view of the online and gaming kiosk showing our new design;

FIG. 2 is a front elevational view thereof;

FIG. 3 is a rear elevational view thereof

FIG. 4 is a left side elevational view thereof;

FIG. 5 is a right side elevational view thereof;

FIG. 6 is a top plan view thereof; and,

FIG. 7 is a bottom plan view thereof.

**1 Claim, 6 Drawing Sheets**

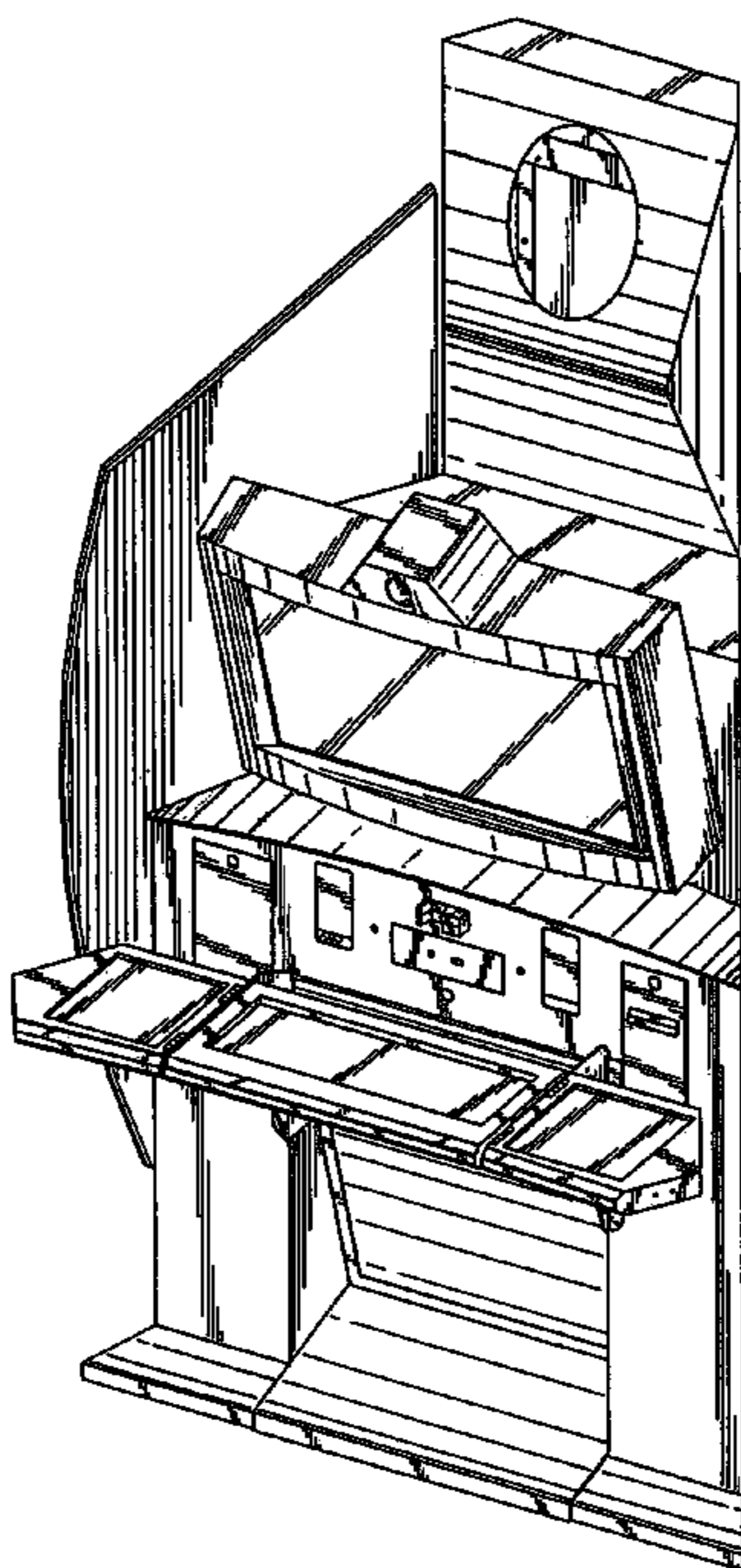


FIG. 1

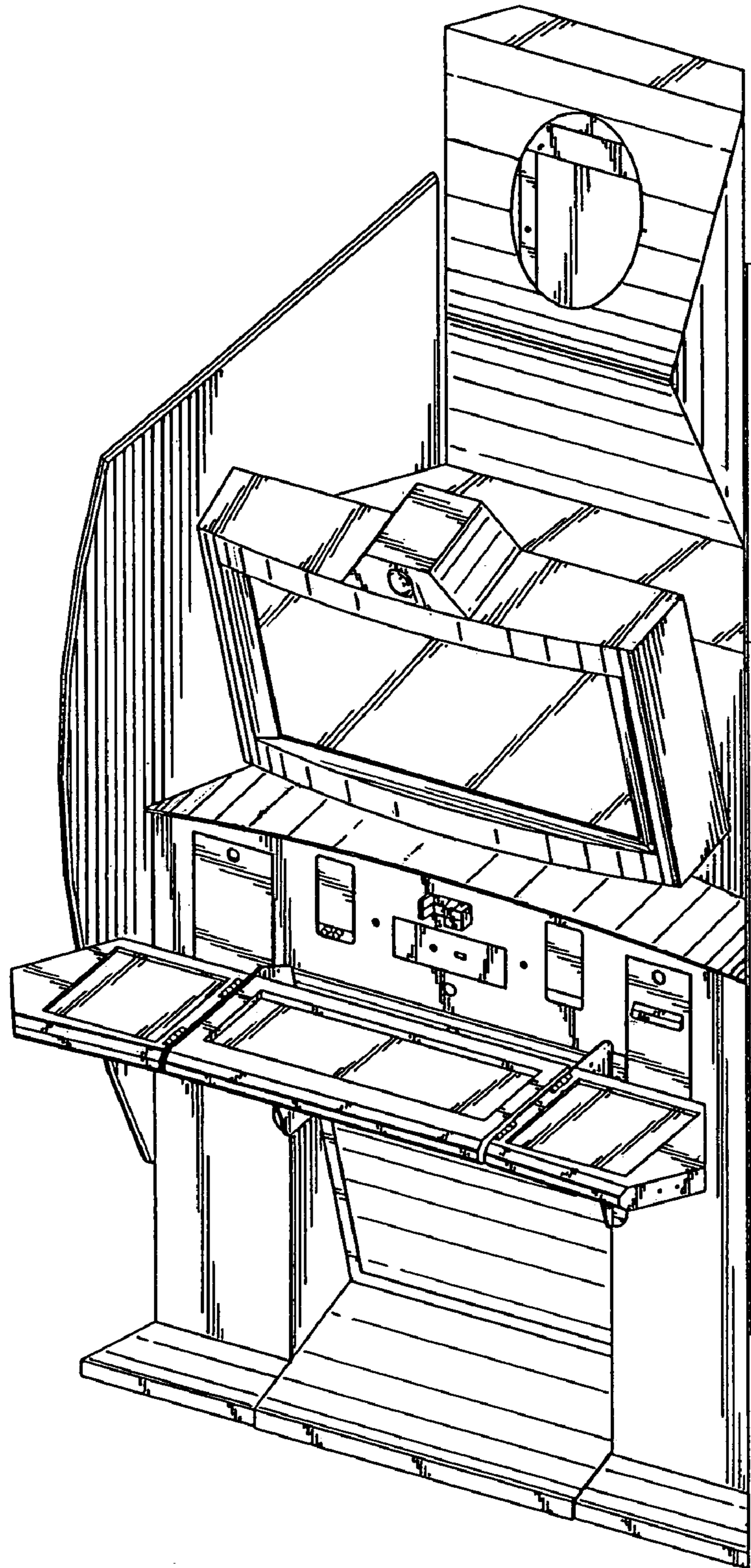


FIG. 2

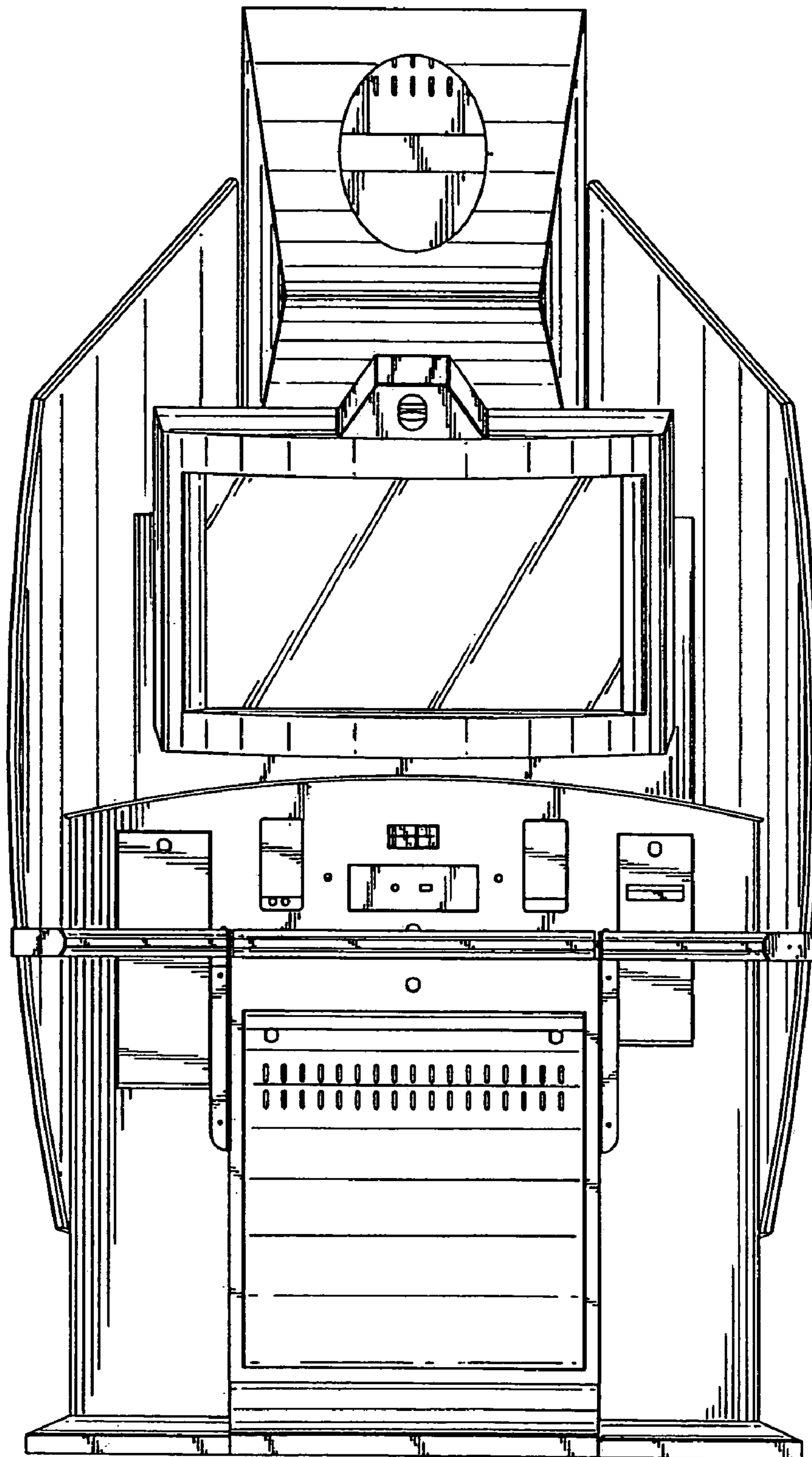


FIG. 3

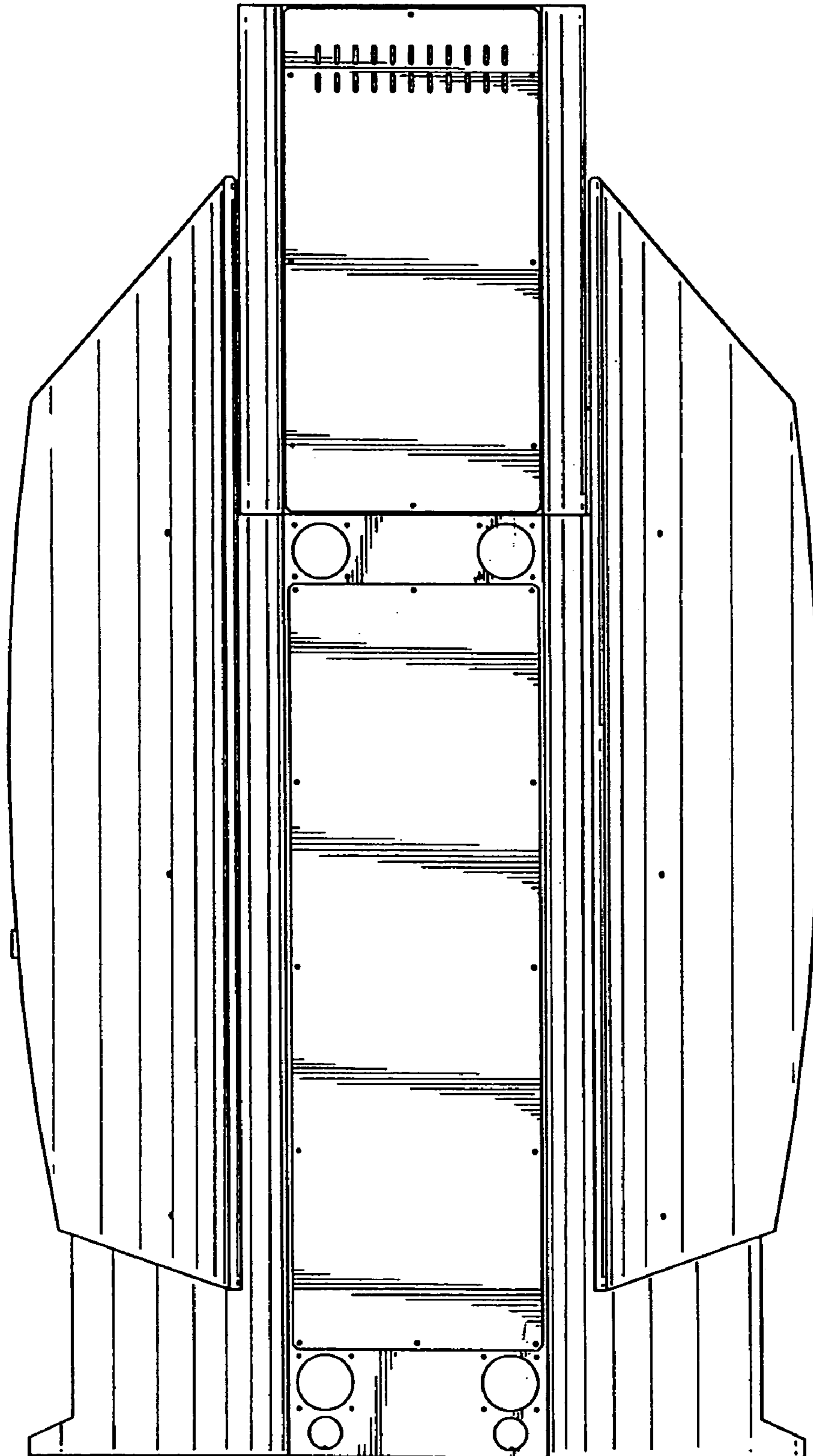


FIG. 4

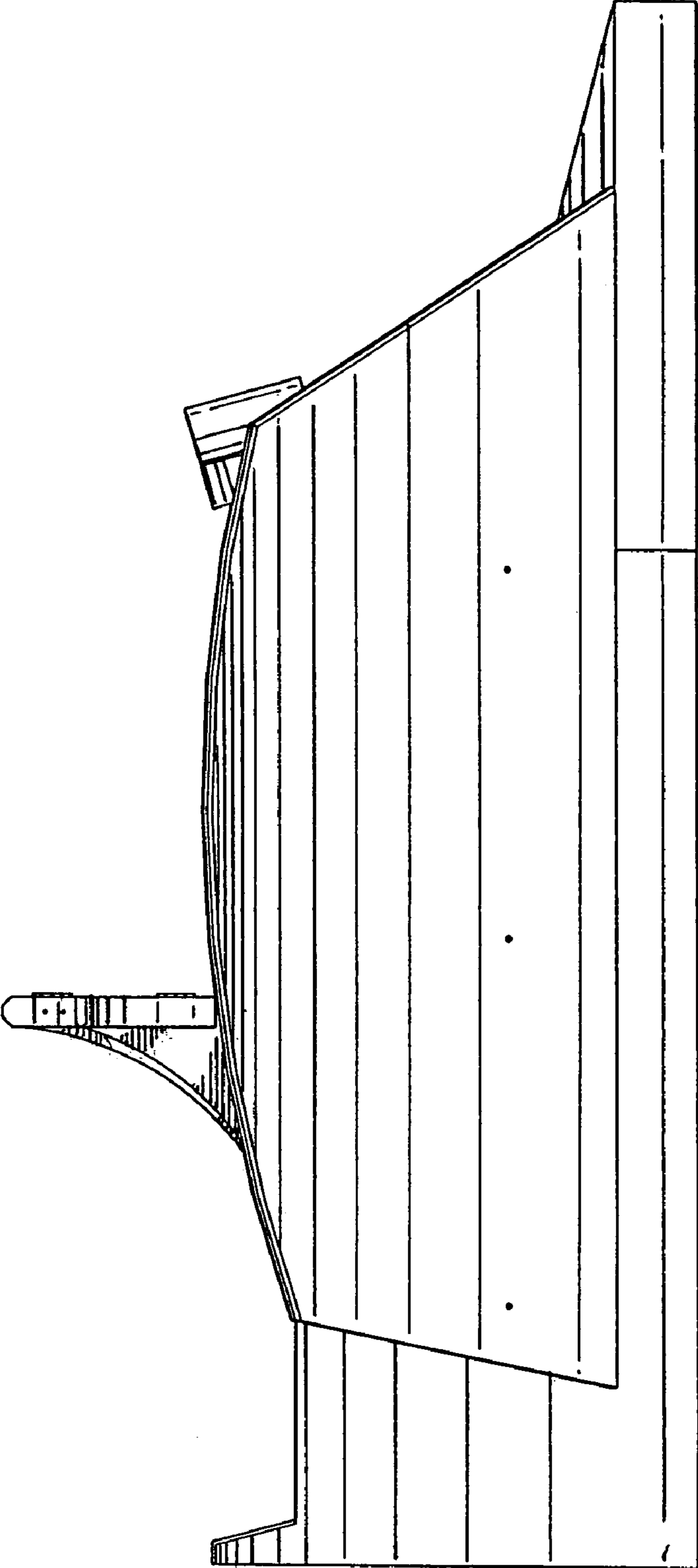


FIG. 5

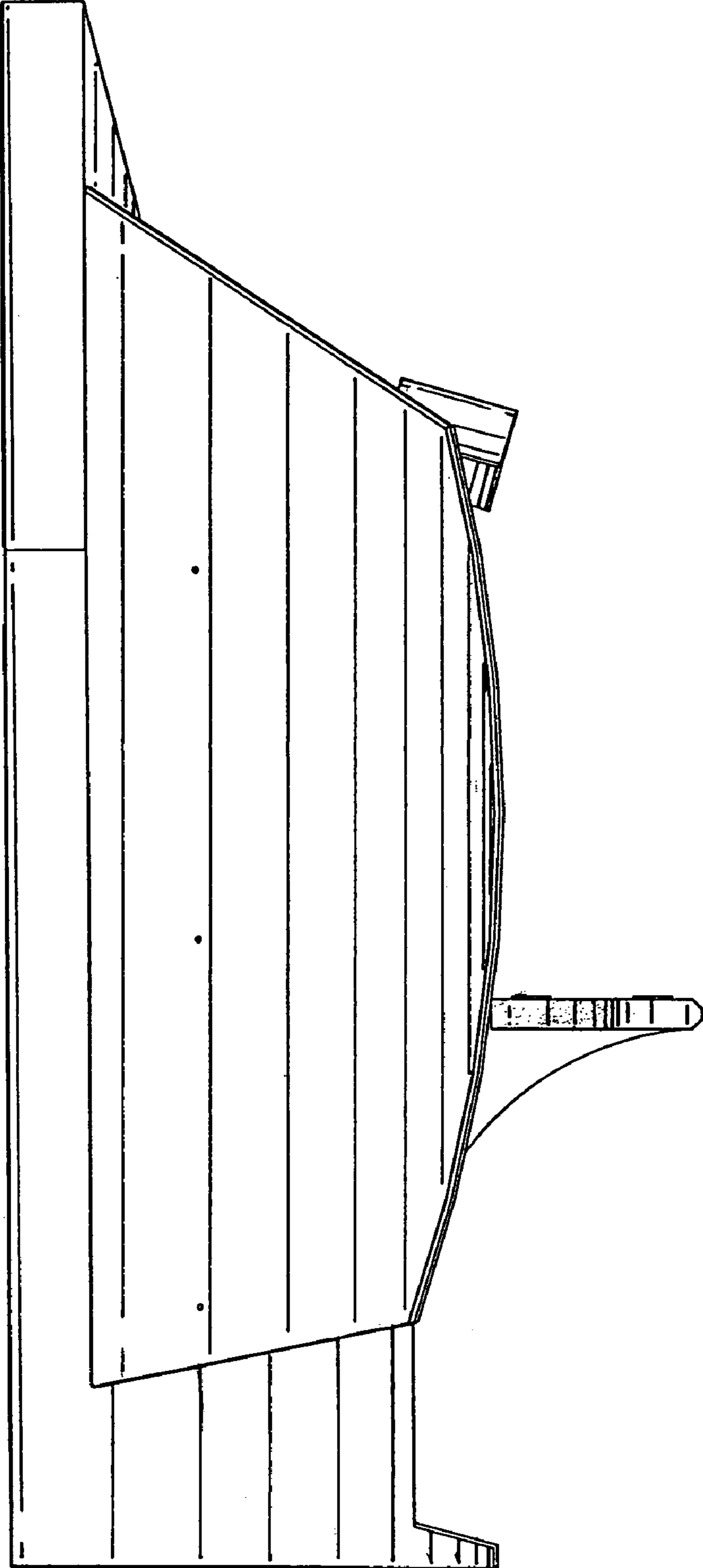


FIG. 6

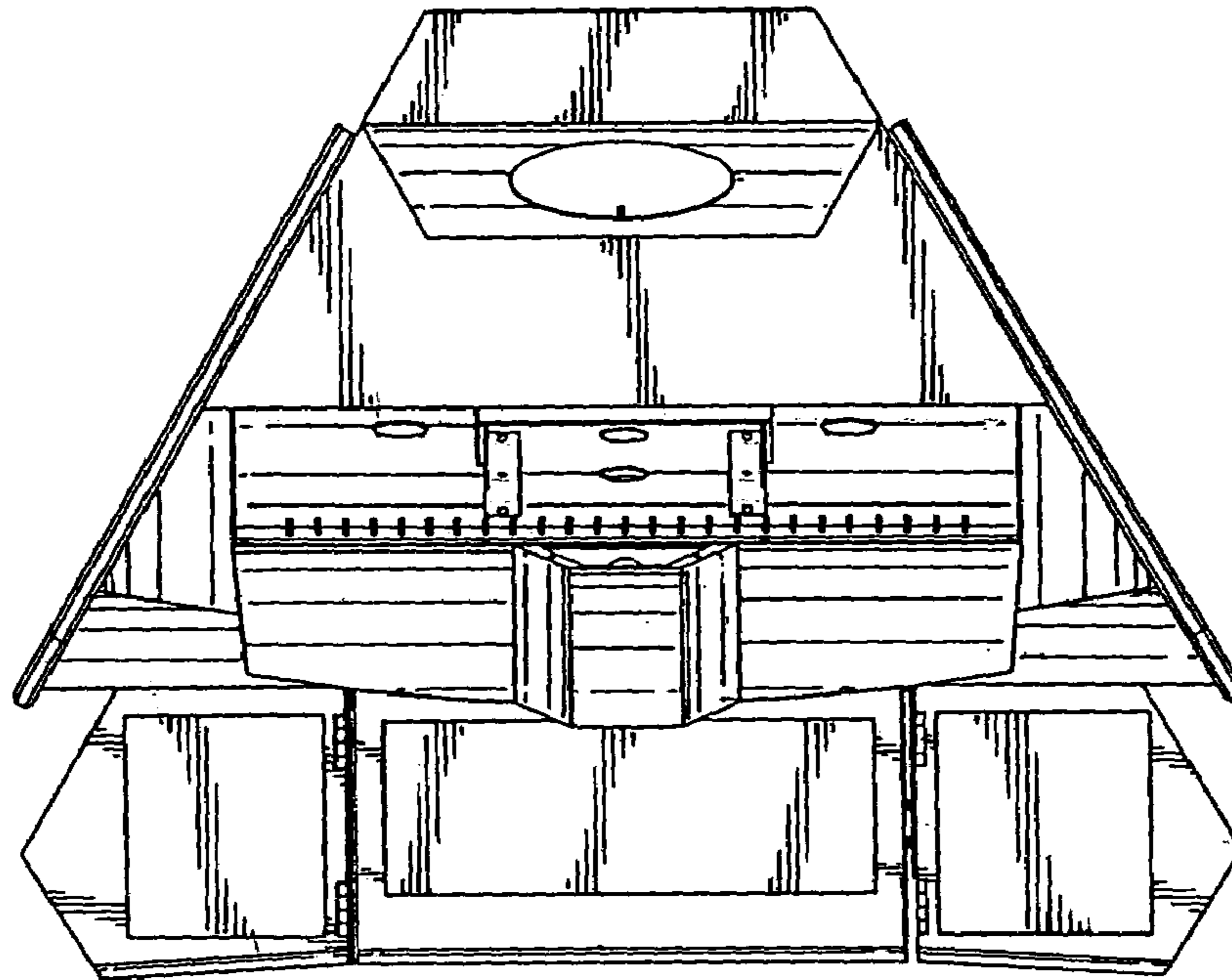


FIG. 7

