



US00D555208S

(12) **United States Design Patent** (10) **Patent No.:** **US D555,208 S**  
**Delmotte et al.** (45) **Date of Patent:** **\*\* Nov. 13, 2007**

(54) **PACKAGING LABEL**

(75) Inventors: **Philippe Delmotte**, St-Gratien (FR);  
**Marc Bourges**, Paris (FR)

(73) Assignee: **Societe des Produits Nestle S.A.**,  
Vevey (CH)

(\*\*) Term: **14 Years**

(21) Appl. No.: **29/255,611**

(22) Filed: **Mar. 10, 2006**

(30) **Foreign Application Priority Data**

Sep. 12, 2005	(EM)	000398763-0001
Sep. 12, 2005	(EM)	000398763-0002
Sep. 12, 2005	(EM)	000398763-0003
Sep. 12, 2005	(EM)	000398763-0004
Sep. 12, 2005	(EM)	000398763-0005
Sep. 12, 2005	(EM)	000398763-0006
Sep. 12, 2005	(EM)	000398763-0007
Sep. 12, 2005	(EM)	000398763-0008
Sep. 12, 2005	(EM)	000398763-0009
Sep. 12, 2005	(EM)	000398763-0010
Sep. 12, 2005	(EM)	000398763-0011

(51) **LOC (8) Cl.** ..... **19-08**

(52) **U.S. Cl.** ..... **D20/27**

(58) **Field of Classification Search** ..... D20/10,  
D20/11, 22, 23, 27-29, 40, 42, 43, 99; 40/1.5,  
40/27.5, 124.01, 124.07, 299.01, 307, 310,  
40/311, 328, 359, 360, 594, 638; 283/56,  
283/62, 71, 74, 81, 101; 206/459.1, 531;  
D10/109; D19/90; 194/211; 229/192.8;  
445/414.1

See application file for complete search history.

(56) **References Cited**

U.S. PATENT DOCUMENTS

D56,102	S	*	8/1920	McMullan et al.	.....	D10/109
2,093,601	A	*	9/1937	Drescher	.....	40/299.01
3,392,468	A	*	7/1968	Wolf	.....	40/307
4,938,414	A	*	7/1990	Lippert	.....	229/92.8
D358,175	S	*	5/1995	Odmak	.....	D20/11
D393,488	S	*	4/1998	Sakko	.....	D20/28
D405,116	S	*	2/1999	Anderson, II	.....	D20/22
6,257,624	B1	*	7/2001	Fabel	.....	283/62
7,201,275	B2	*	4/2007	Nakagawa et al.	.....	206/531
2002/0014028	A1	*	2/2002	Campeau	.....	40/310
2003/0015867	A1	*	1/2003	Petkovsek	.....	283/81

\* cited by examiner

*Primary Examiner*—Robert M. Spear  
*Assistant Examiner*—Mary Ann Calanrese  
(74) *Attorney, Agent, or Firm*—Bell, Boyd & Lloyd LLP

(57) **CLAIM**

The ornamental design for a packaging label, as shown and described herein.

**DESCRIPTION**

FIG. 1 is a perspective view of the packaging label shown in use on a food product package; and,

FIG. 2 is a perspective view of the packaging label shown in use on another food product package.

The broken line showings of the drawings in FIGS. 1 and 2 indicate environmental structure and form no part of the claimed design.

**1 Claim, 1 Drawing Sheet**

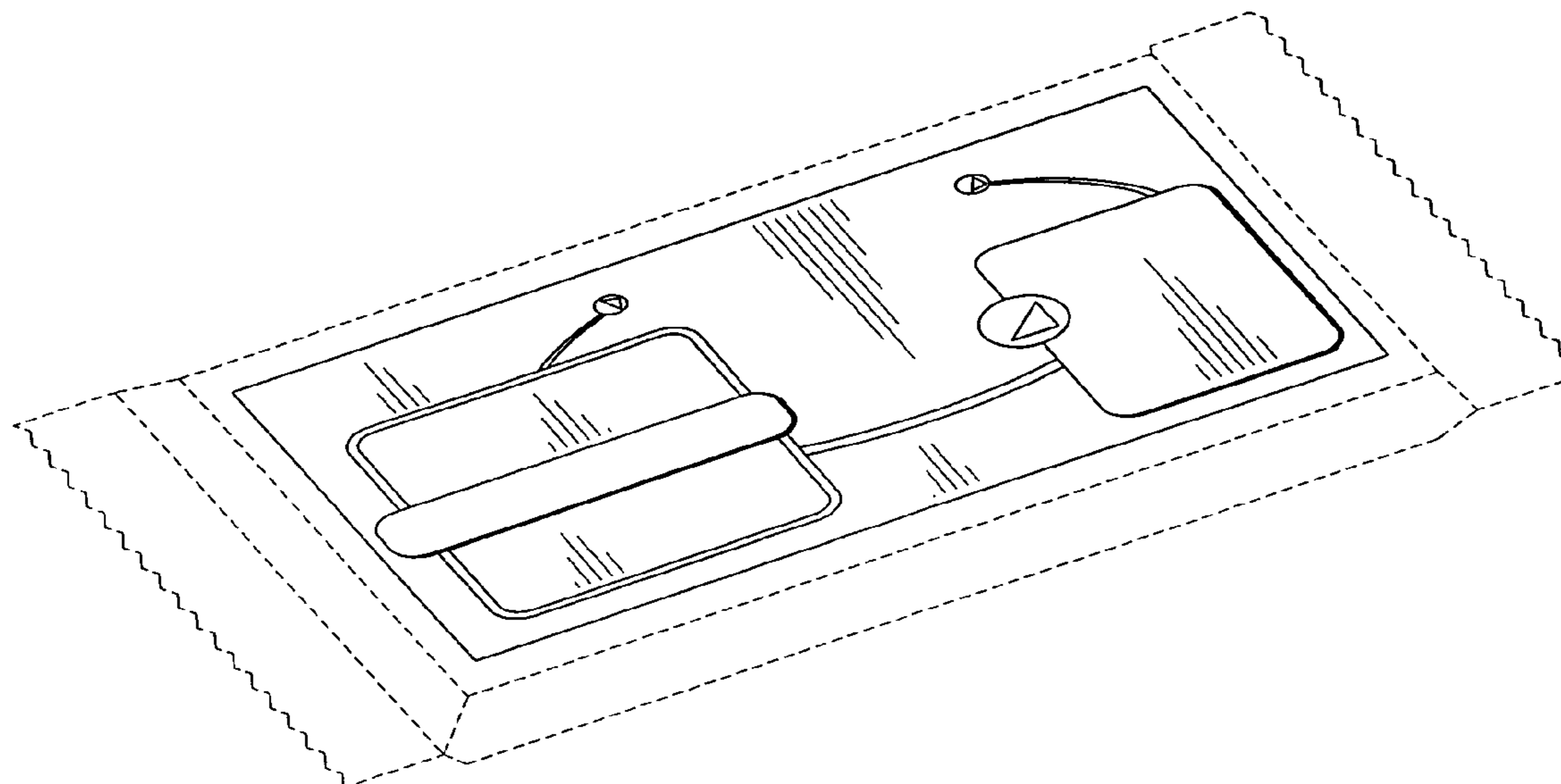


FIG.1

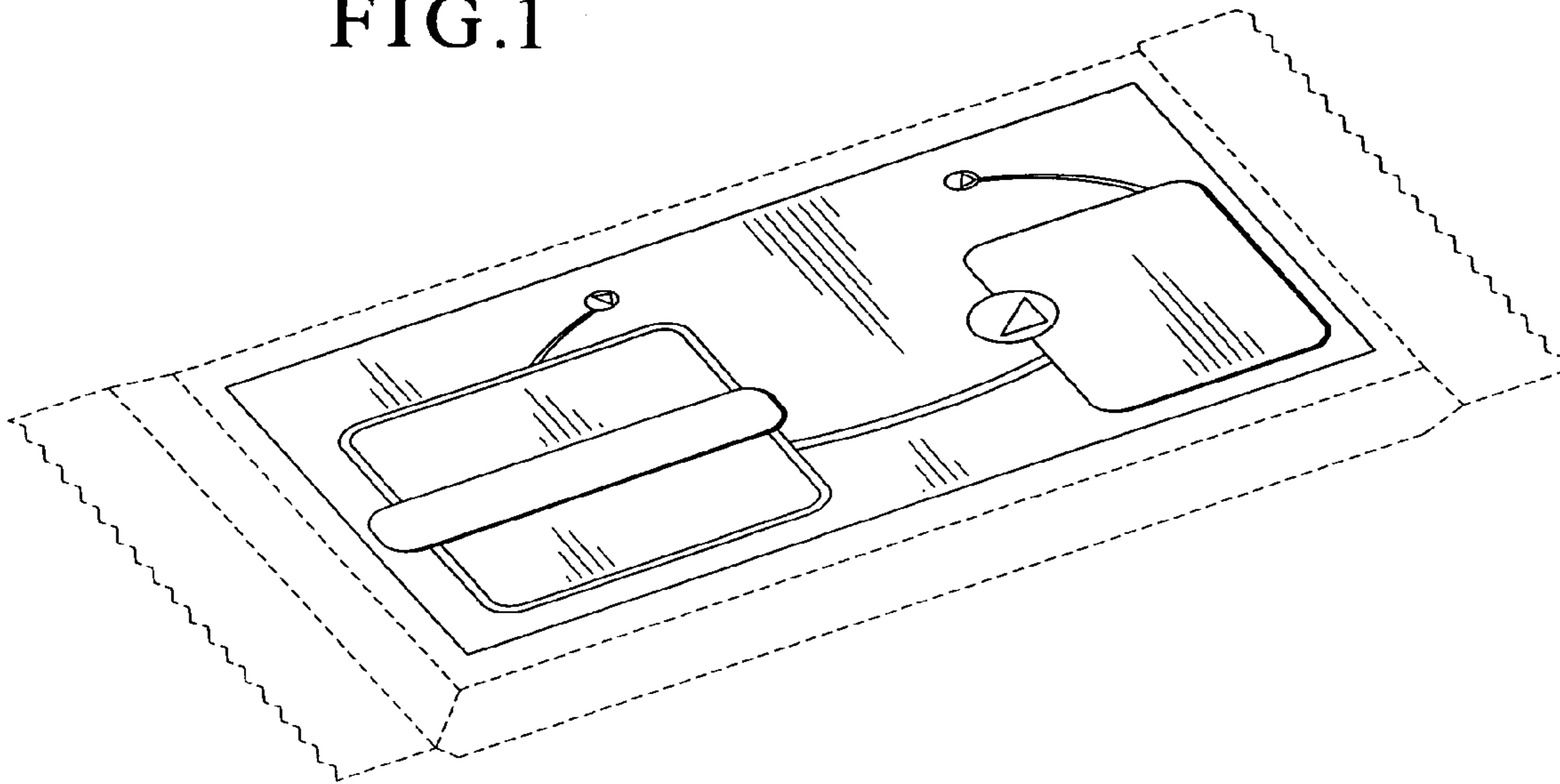


FIG.2

