



US00D555204S

(12) **United States Design Patent** (10) **Patent No.:** **US D555,204 S**
Smith et al. (45) **Date of Patent:** **** Nov. 13, 2007**

(54) **PAPER TRAY**

(75) Inventors: **Aaron William Smith**, Plainfield, IL (US); **Charlotte Marie Lux**, Chicago, IL (US)

(73) Assignee: **Sanford, L.P.**, Oak Brook, IL (US)

(**) Term: **14 Years**

(21) Appl. No.: **29/232,360**

(22) Filed: **Jun. 17, 2005**

(51) **LOC (8) Cl.** **19-02**

(52) **U.S. Cl.** **D19/92**

(58) **Field of Classification Search** D3/304,
D3/314; D19/75, 77, 78, 83, 85, 86, 90,
D19/91, 92; 206/215, 555, 556, 557; 211/11,
211/126.1-126, 126.14, 126.16

See application file for complete search history.

(56) **References Cited**

U.S. PATENT DOCUMENTS

D39,557 S *	9/1908	Hebestreit	D7/554.3
1,740,424 A *	12/1929	Blaine	206/449
1,762,596 A *	6/1930	Soper	211/126.12
D187,830 S *	5/1960	Lewis	D19/92
3,204,778 A *	9/1965	Nawman et al.	206/510
3,219,196 A *	11/1965	Hare et al.	211/126.6
D317,628 S *	6/1991	Evenson	D19/92
5,097,957 A *	3/1992	Adams et al.	206/557
D479,273 S *	9/2003	Chang	D19/92
D522,059 S *	5/2006	Killinger et al.	D19/92

OTHER PUBLICATIONS

Photo of shoes with orange and blue accents which were publicly available before Jun. 17, 2005.

Photo of green fabric with pink handprint which was publicly available before Jun. 17, 2005.

Photo of brown shoe with pink straps which was publicly available before Jun. 17, 2005.

Photo of multi-colored bag which was publicly available before Jun. 17, 2005.

Photo of brown shoulder bag which was publicly available before Jun. 17, 2005.

Photo of multi-colored hand purse which was publicly available before Jun. 17, 2005.

Photo of green purse and brown organizer which was publicly available before Jun. 17, 2005.

Photo of black backpack which was publicly available before Jun. 17, 2005.

Photo of multi-colored boot which was publicly available before Jun. 17, 2005.

Photo of white and yellow shoe which was publicly available before Jun. 17, 2005.

Photo of gold colored purse which was publicly available before Jun. 17, 2005.

Photo of brown and red bag which was publicly available before Jun. 17, 2005.

Photo of tan purse which was publicly available before Jun. 17, 2005.

(Continued)

Primary Examiner—Elizabeth A. Albert

(74) *Attorney, Agent, or Firm*—Marshall Gerstein Borun LLP

(57) **CLAIM**

The ornamental design for paper tray, as shown and described.

DESCRIPTION

FIG. 1 is a perspective view showing our new design for a paper tray;

FIG. 2 is a left side view of the paper tray of FIG. 1;

FIG. 3 is the front view of the paper tray of FIG. 1;

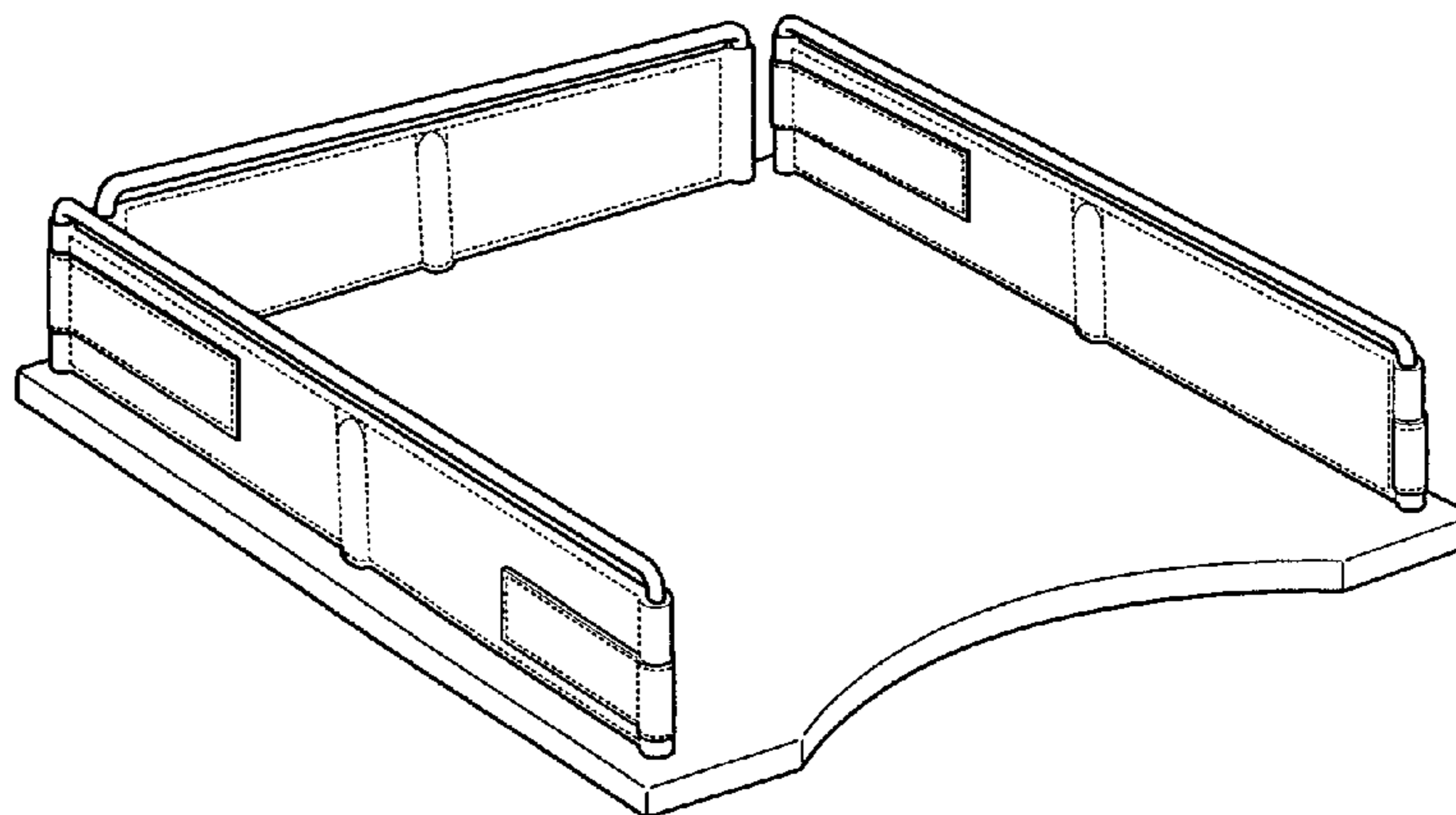
FIG. 4 is a right side view of the paper tray of FIG. 1;

FIG. 5 is a rear view of the paper tray of FIG. 1; and,

FIG. 6 is a top plan view of the paper tray of FIG. 1.

The broken lines shown in the drawings represent lines of stitching.

1 Claim, 4 Drawing Sheets



OTHER PUBLICATIONS

Photo of white and green boot which was publicly available before Jun. 17, 2005.

Photo of red purse which was publicly available before Jun. 17, 2005.

Photo of yellow and green shoe which was publicly available before Jun. 17, 2005.

Photo of pink fabric which was publicly available before Jun. 17, 2005.

Photo of white and brown shoe which was publicly available before Jun. 17, 2005.

Photo of grey fabric which was publicly available before Jun. 17, 2005.

Photo of blue shoe which was publicly available before Jun. 17, 2005.

Photo of pink purse which was publicly available before Jun. 17, 2005.

Photo of yellow shoes which were publicly available before Jun. 17, 2005.

Photo of white, gold and red purse which was publicly available before Jun. 17, 2005.

Photo of yellow and gold organizers which were publicly available before Jun. 17, 2005.

Photo of pink shoe which was publicly available before Jun. 17, 2005.

* cited by examiner

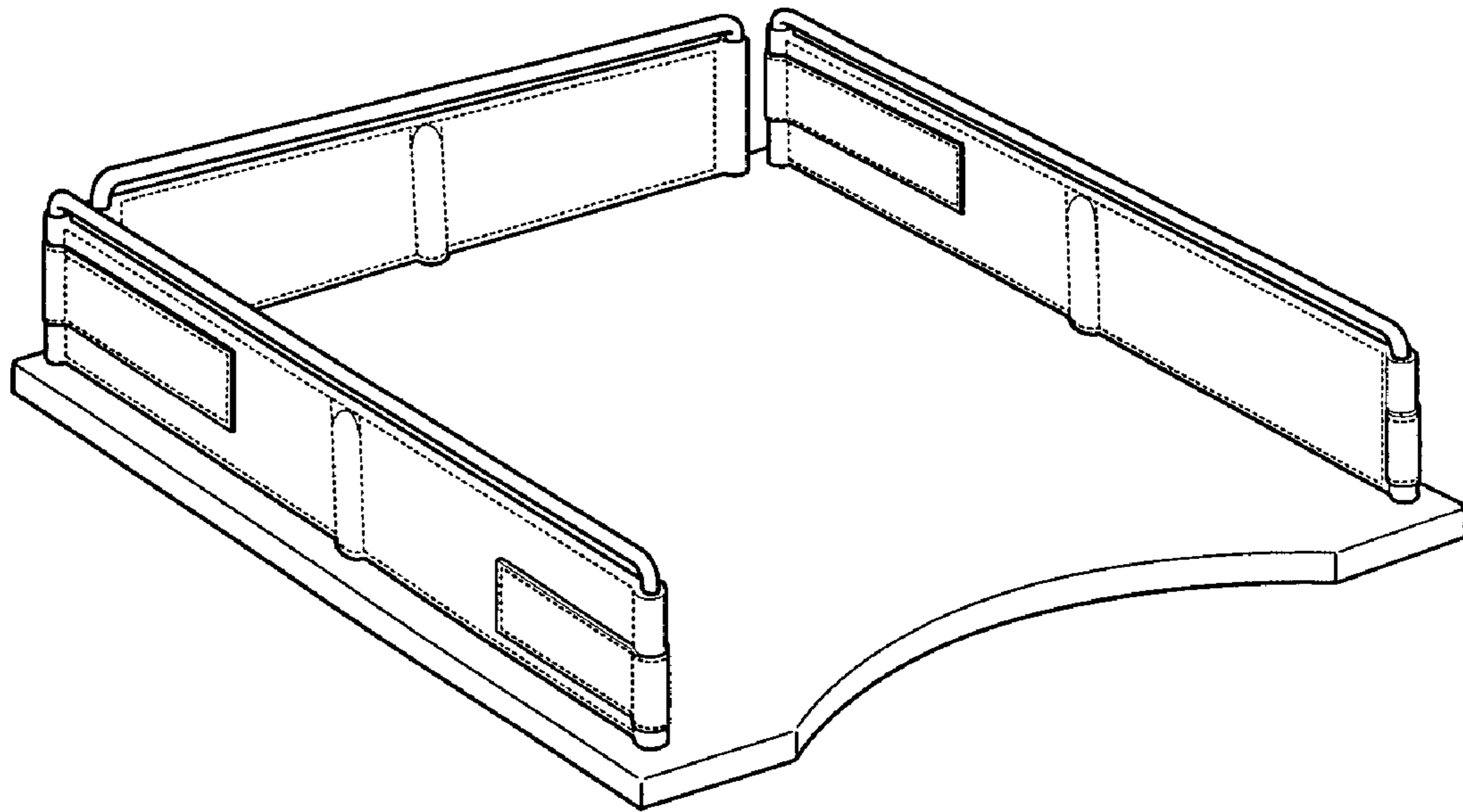


FIG. 1

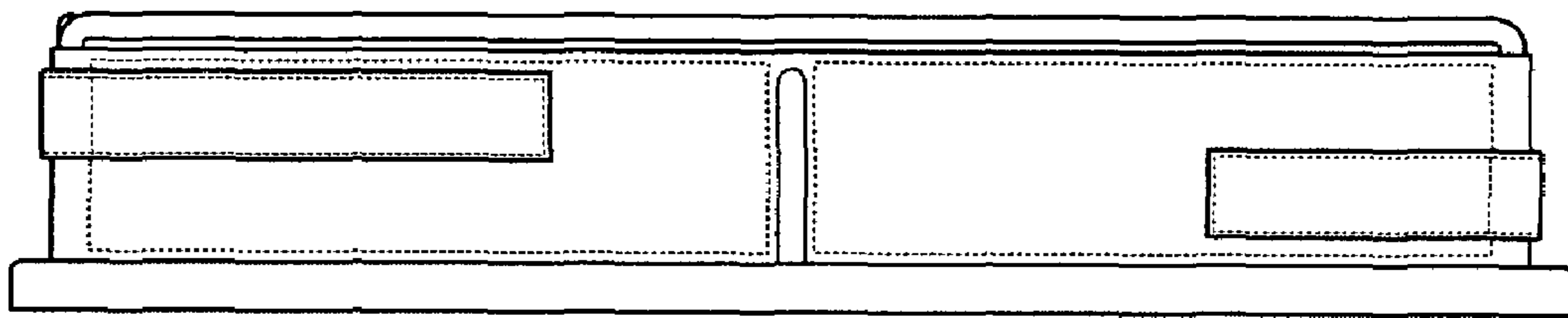


FIG. 2

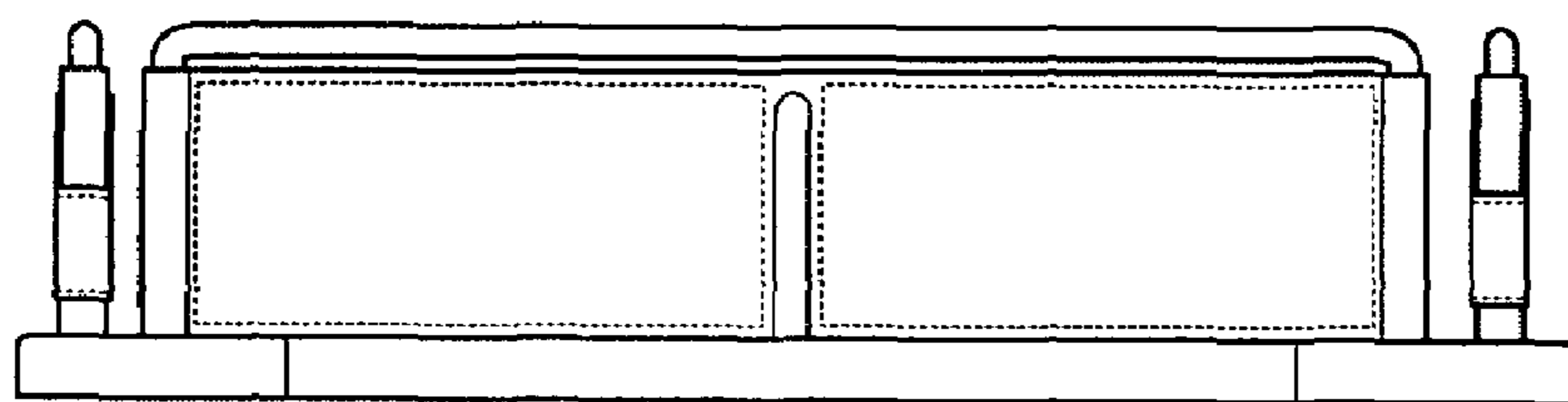


FIG. 3

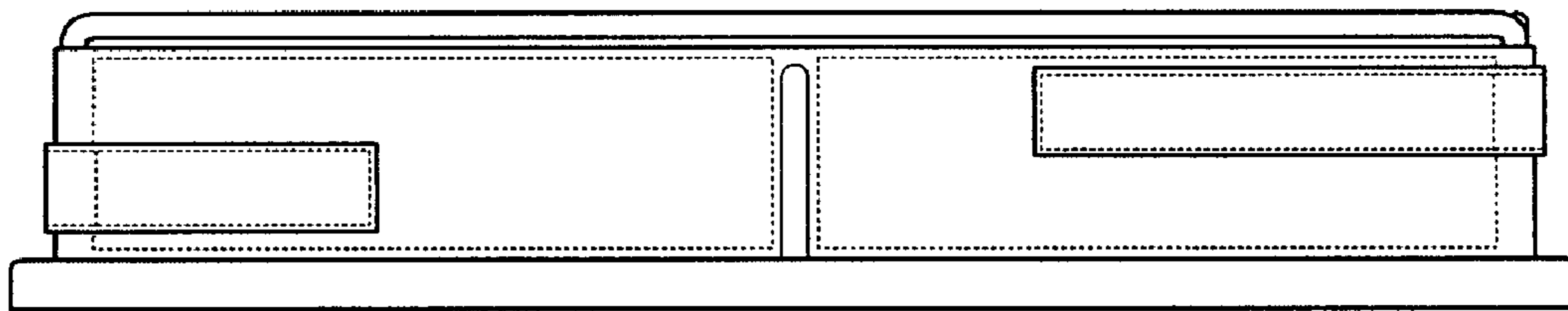


FIG. 4

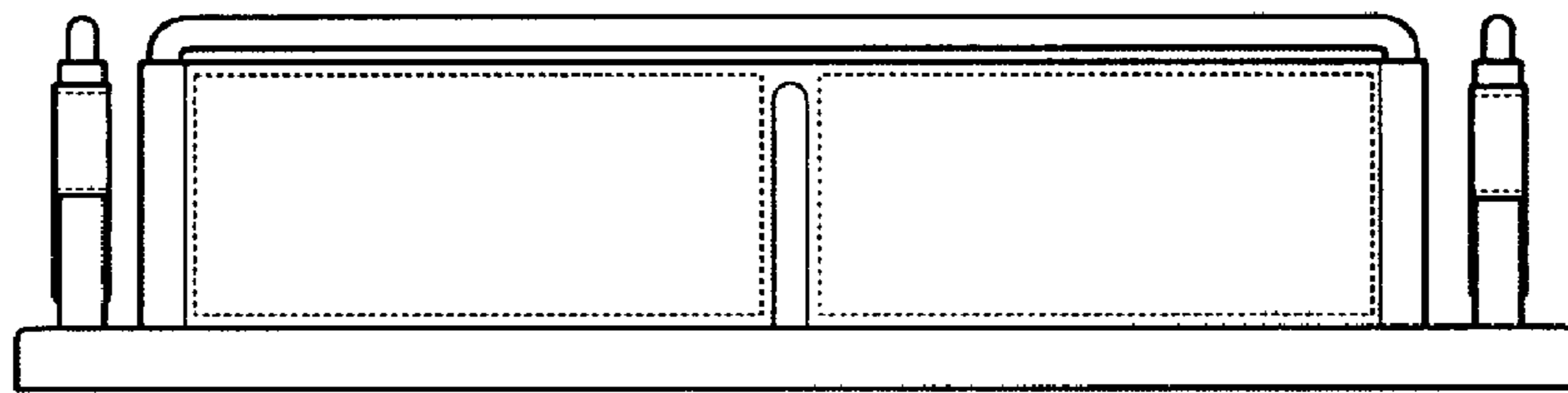


FIG. 5

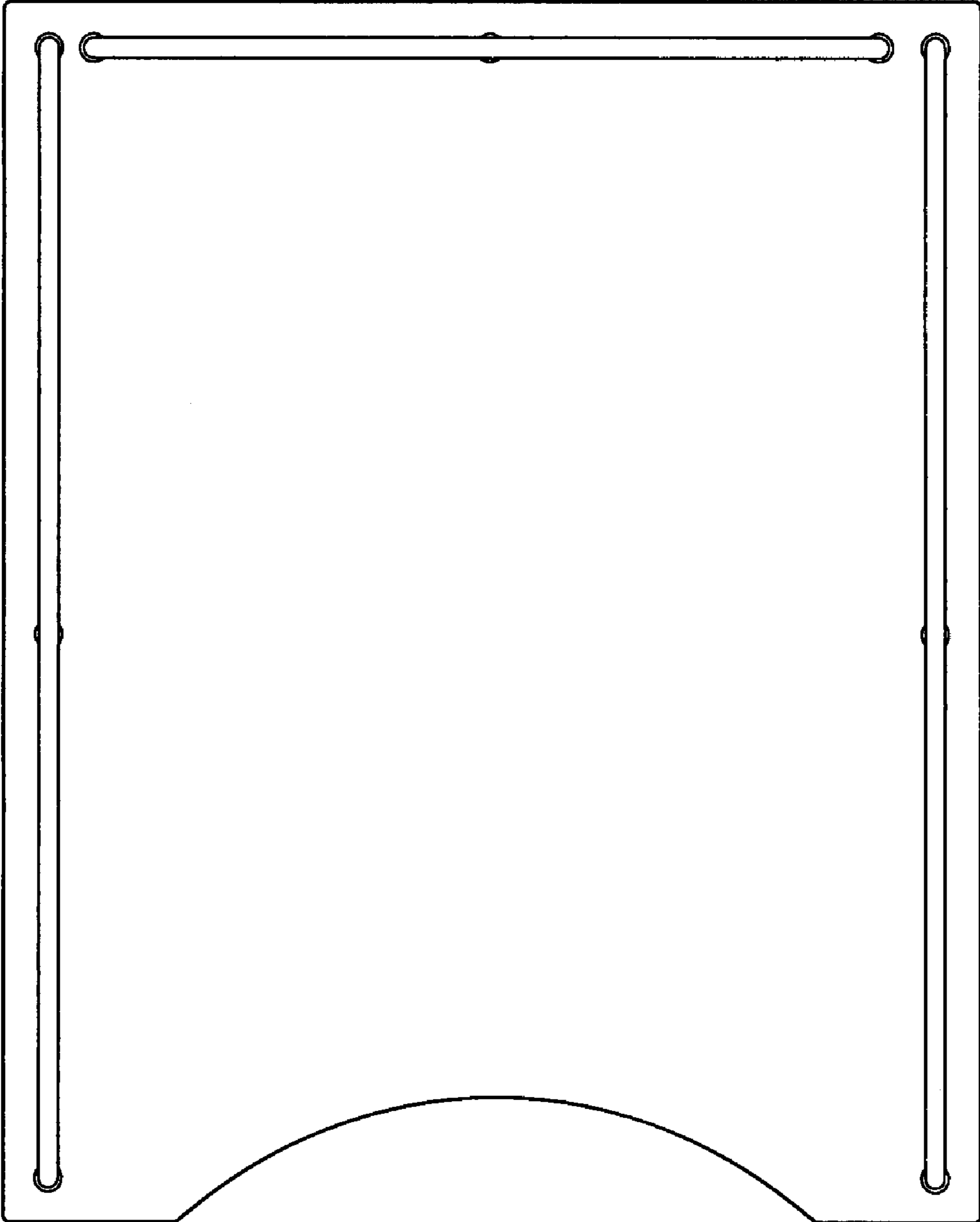


FIG. 6