



US00D555203S

(12) **United States Design Patent**  
**Goodman et al.**

(10) **Patent No.:** **US D555,203 S**  
(45) **Date of Patent:** **\*\* Nov. 13, 2007**

(54) **WIRE ORGANIZER**

(75) Inventors: **Sheldon H. Goodman**, Solon, OH  
(US); **Kent W. Murphy**, Wooster, OH  
(US)

(73) Assignee: **Spectrum Diversified Designs, Inc.**,  
Streetsboro, OH (US)

(\*\*) Term: **14 Years**

(21) Appl. No.: **29/255,655**

(22) Filed: **Mar. 10, 2006**

(51) **LOC (8) Cl.** ..... **19-02**

(52) **U.S. Cl.** ..... **D19/90**

(58) **Field of Classification Search** ..... 211/40,  
211/42, 45, 50, 10-11; D6/309-314, 407,  
D6/466-468, 475-476, 512, 553, 556, 589,  
D6/571; D19/65, 75-100; 40/661.05, 661.06,  
40/661.07, 358, 725, 749; 206/224, 425  
See application file for complete search history.

(56) **References Cited**

**U.S. PATENT DOCUMENTS**

2,655,267	A *	10/1953	Planeta	.....	211/74
3,132,747	A *	5/1964	van Duyne	.....	211/205
3,176,849	A *	4/1965	Peebles	.....	211/50
4,410,093	A *	10/1983	Chiariello et al.	.....	211/11
4,593,822	A *	6/1986	Yeane et al.	.....	211/41.8

5,111,940	A *	5/1992	VanNoord	.....	211/40
D353,400	S *	12/1994	Goodman et al.	.....	D19/90
D421,062	S *	2/2000	Goodman et al.	.....	D19/90
D538,106	S *	3/2007	Julian	.....	D7/409

**OTHER PUBLICATIONS**

Fellowes Step File Wire Organizer, as shown on www.epinions.com, dated Dec. 14, 2004 (1 page).  
Fellowes Step File Junior Wire Organizer Rack, as shown on www.epinions.com, dated Jun. 1, 2005 (1 page).\*

\* cited by examiner

*Primary Examiner*—Elizabeth A. Albert  
*Assistant Examiner*—Karen E Eldridge Powers  
(74) *Attorney, Agent, or Firm*—Pearne & Gordon LLP

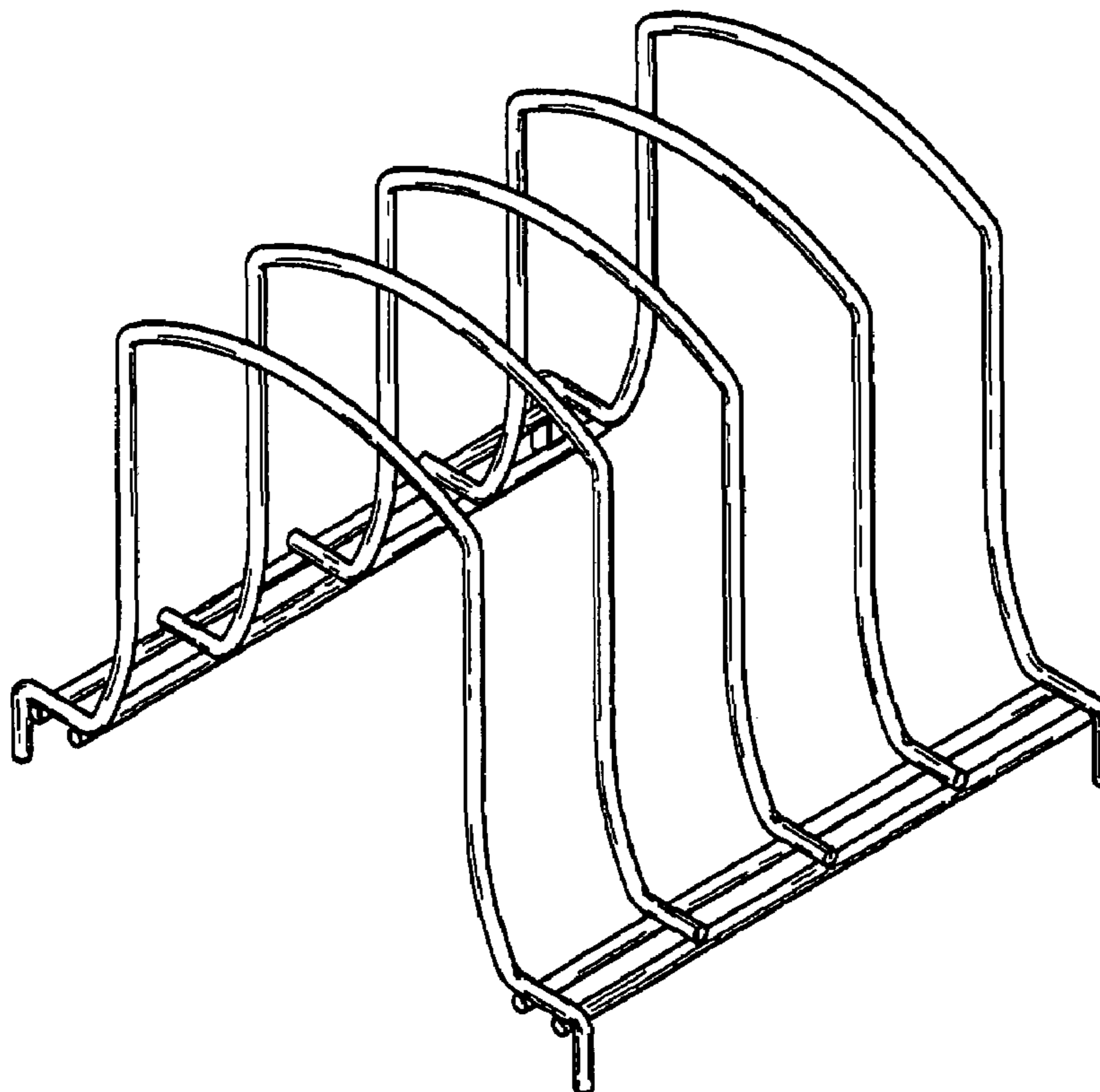
(57) **CLAIM**

The ornamental design for a wire organizer, as shown and described.

**DESCRIPTION**

FIG. 1 is a front elevational view of a wire organizer, showing our new design;  
FIG. 2 is a side elevational view thereof;  
FIG. 3 is a top plan view thereof;  
FIG. 4 is a perspective view thereof; and,  
FIG. 5 is bottom plan view.

**1 Claim, 2 Drawing Sheets**



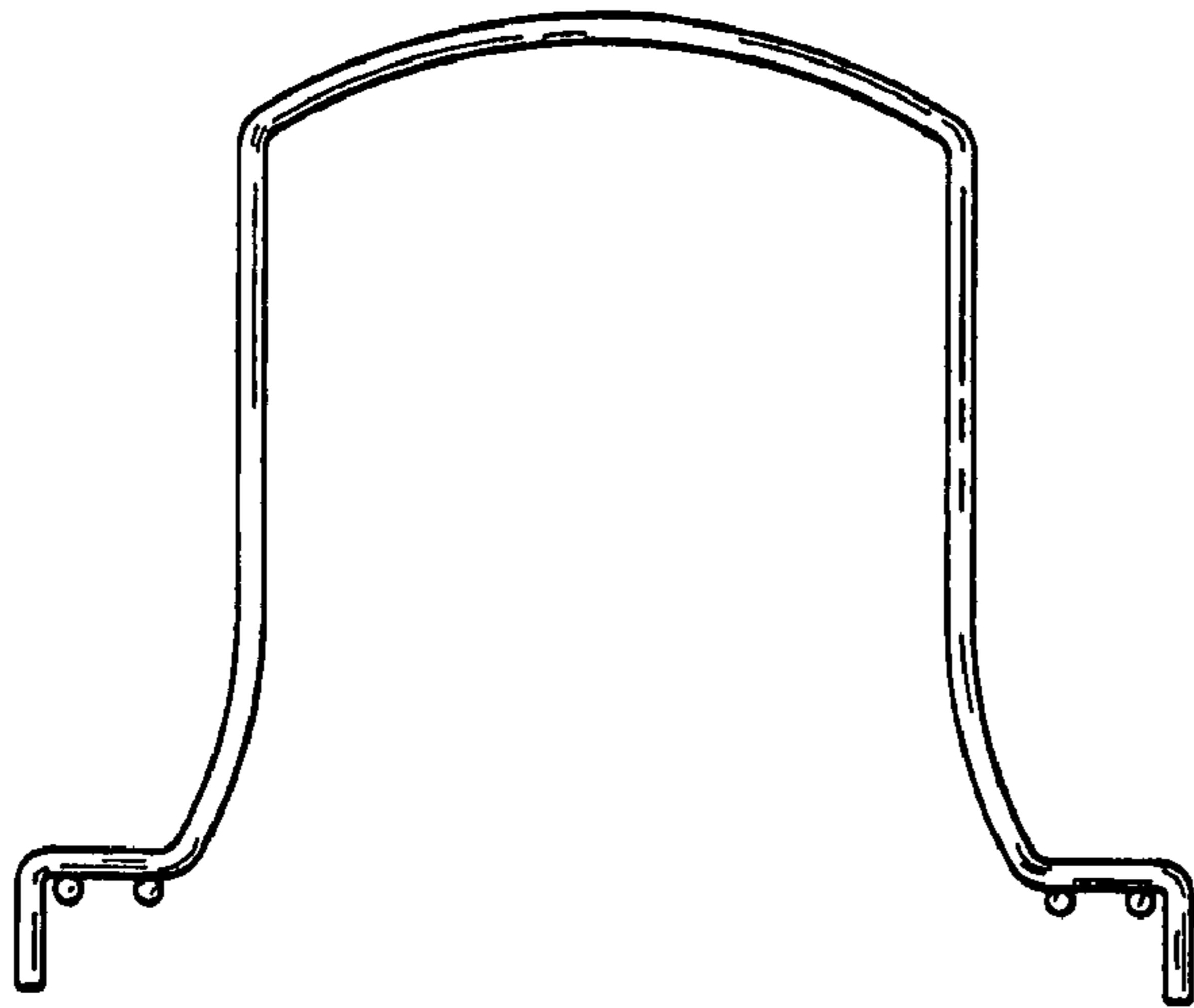


FIG. 1

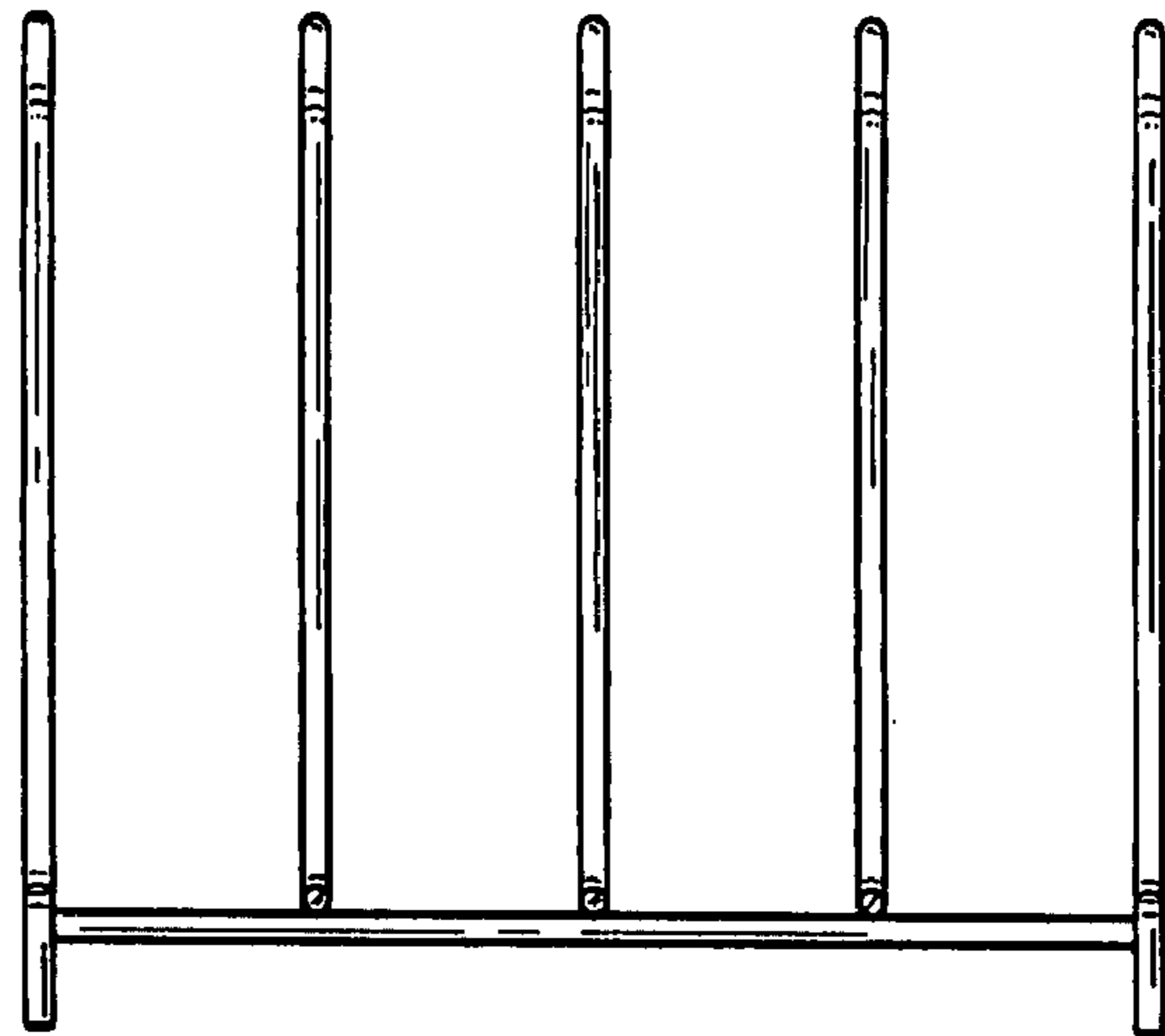


FIG. 2

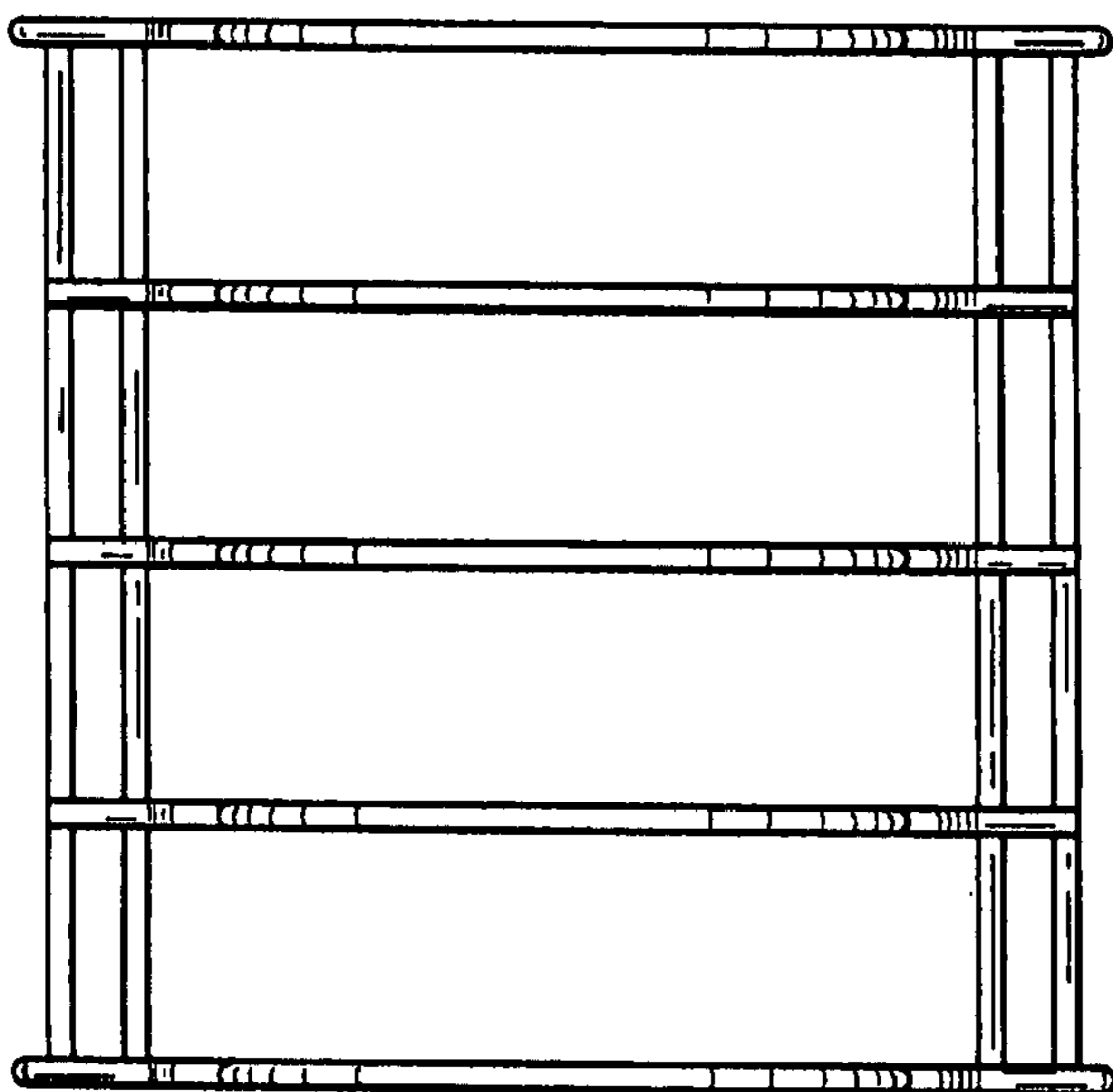


FIG. 3

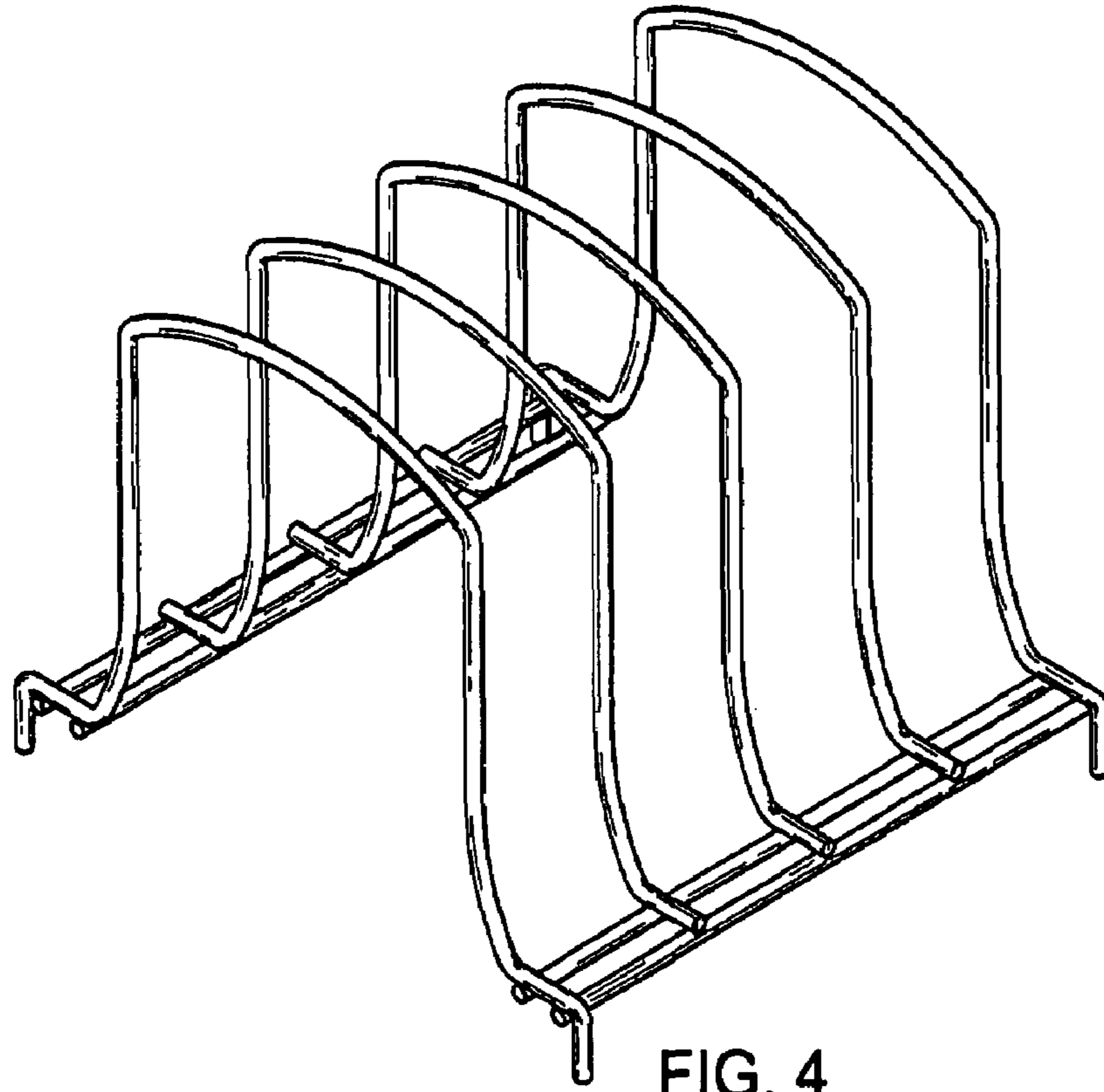


FIG. 4

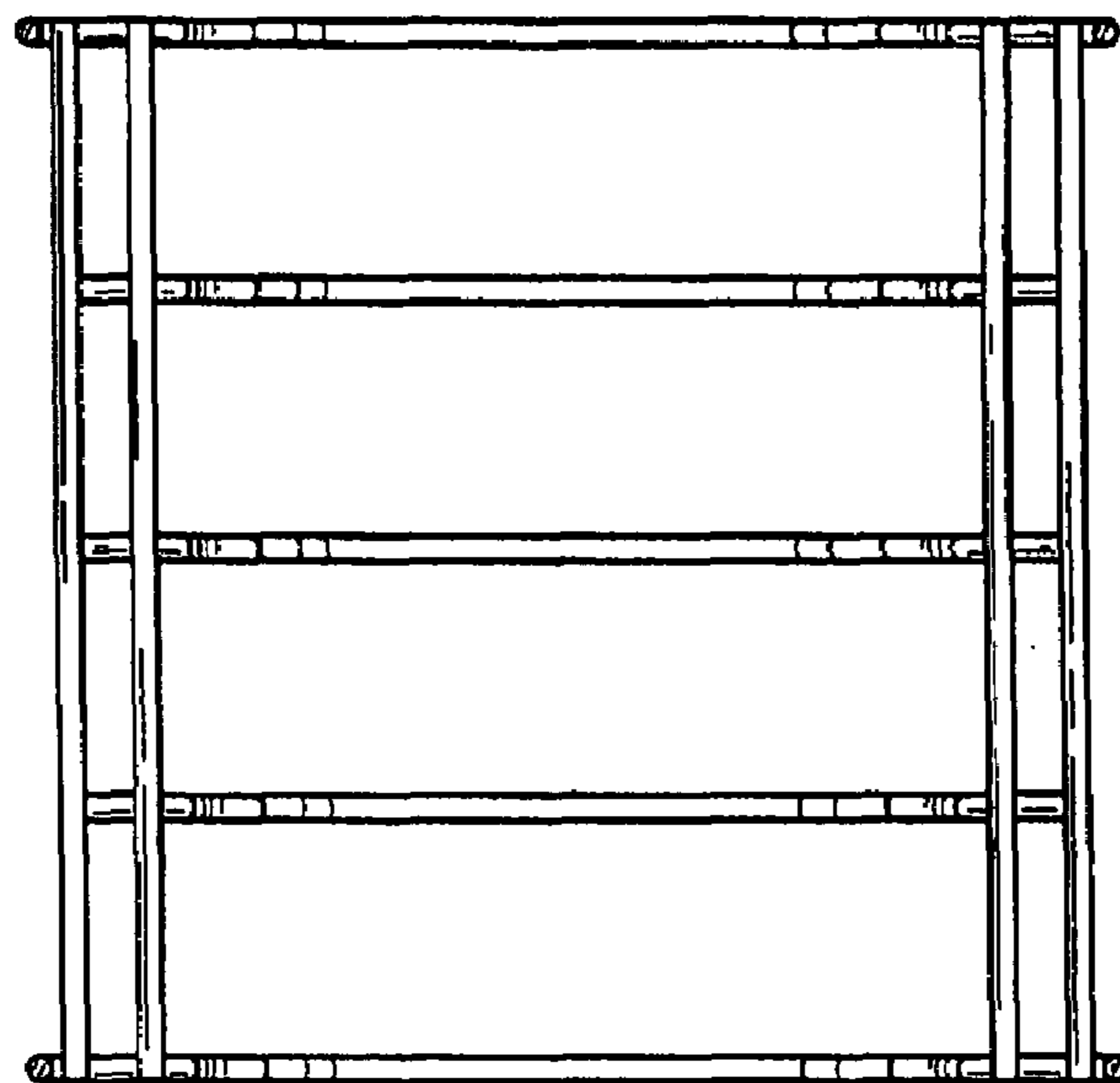


FIG. 5