



US00D555202S

(12) **United States Design Patent**
Siegel

(10) **Patent No.:** **US D555,202 S**

(45) **Date of Patent:** **** Nov. 13, 2007**

(54) **EXPANDABLE DOCUMENT HOLDER**

(75) Inventor: **Lee M. Siegel**, Mt. Laurel, NJ (US)

(73) Assignee: **CRI2000, LP**, San Diego, CA (US)

(**) Term: **14 Years**

(21) Appl. No.: **29/225,096**

(22) Filed: **Mar. 10, 2005**

(51) **LOC (8) Cl.** **19-02**

(52) **U.S. Cl.** **D19/90**

(58) **Field of Classification Search** D6/463,
D6/464, 473; D7/701, 708; D19/75, 78,
D19/86, 87, 90, 91, 92, 95; 206/215, 425,
206/449; 211/11, 50, 105, 202, 126.13, 126.16;
248/277.1

See application file for complete search history.

(56) **References Cited**

U.S. PATENT DOCUMENTS

57,144	A *	8/1866	Ilgen	211/202
612,479	A *	10/1898	Casey	211/105
784,035	A *	3/1905	Connard	211/105
1,955,769	A *	4/1934	Reynolds	211/130.1
2,310,770	A *	2/1943	Evans	211/202
2,568,996	A *	9/1951	Evans	211/10
3,327,869	A *	6/1967	Guhl et al.	211/50

4,022,325	A *	5/1977	Barrett et al.	211/11
4,722,500	A *	2/1988	Bray	248/49
D499,278	S *	12/2004	Dardashti	D6/464
6,948,627	B1 *	9/2005	Evans	211/85.7

* cited by examiner

Primary Examiner—Elizabeth A. Albert

(74) *Attorney, Agent, or Firm*—Norman E. Lehrer

(57) **CLAIM**

The ornamental design for an “expandable document holder,” as shown and described.

DESCRIPTION

FIG. 1 is a front perspective view of an “expandable document holder” showing my new design with the same in its expanded state;

FIG. 2 is a right side elevational view thereof, the left side being the mirror image thereof;

FIG. 3 is a top plan view thereof;

FIG. 4 is a front elevational view thereof;

FIG. 5 is a bottom plan view thereof;

FIG. 6 is a rear elevational view thereof; and,

FIG. 7 is a front perspective view thereof showing the same in its collapsed state.

1 Claim, 3 Drawing Sheets

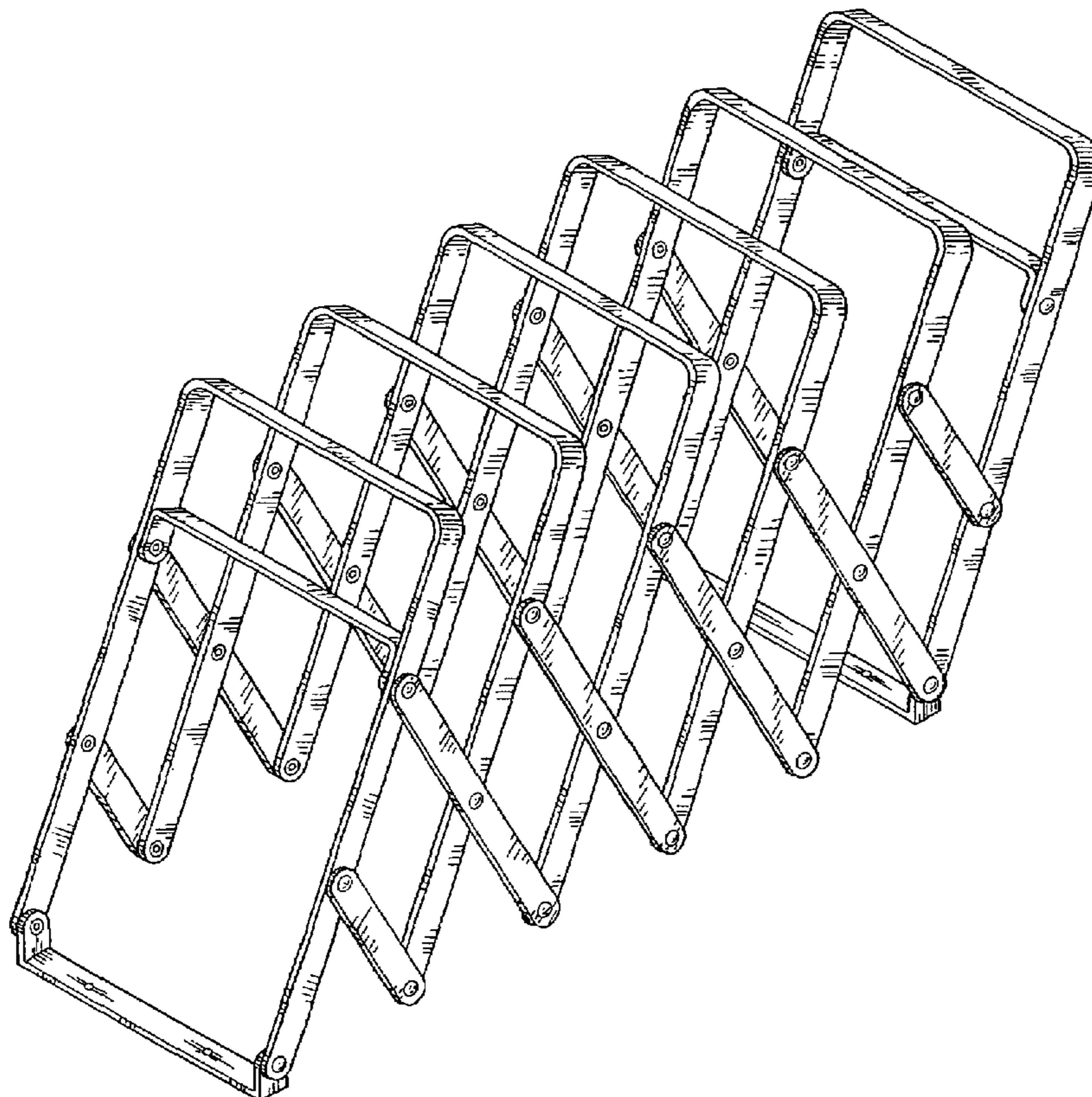


Fig. 1

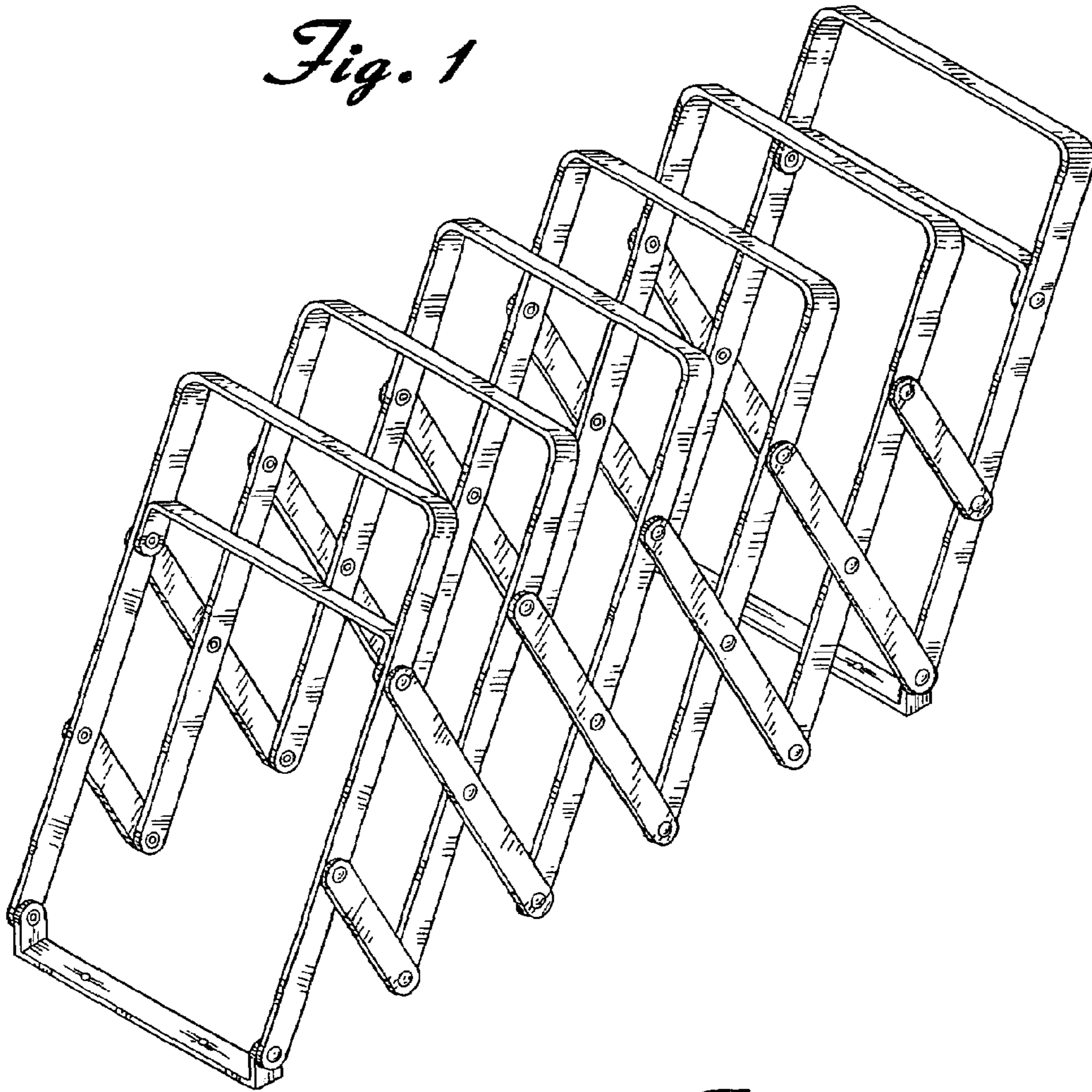


Fig. 2

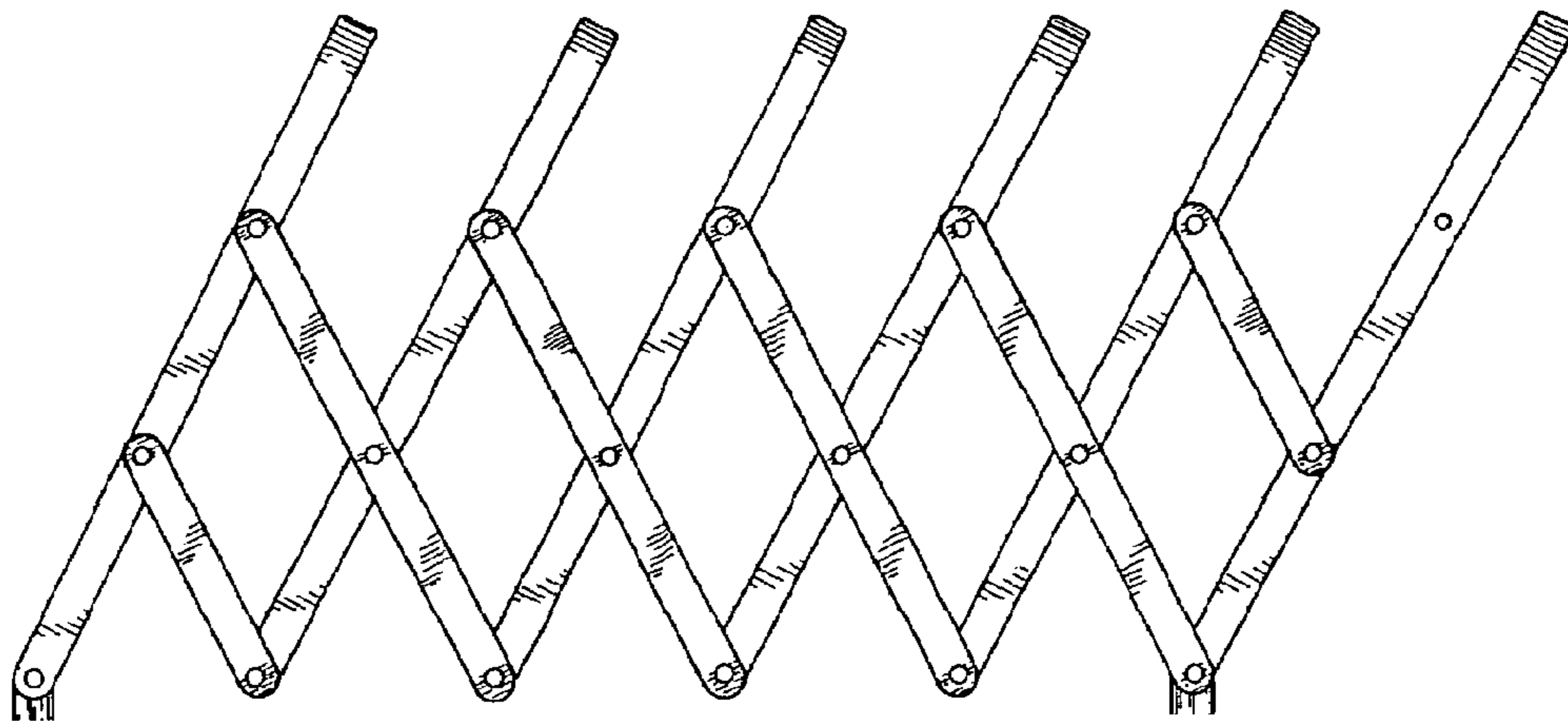


Fig. 3

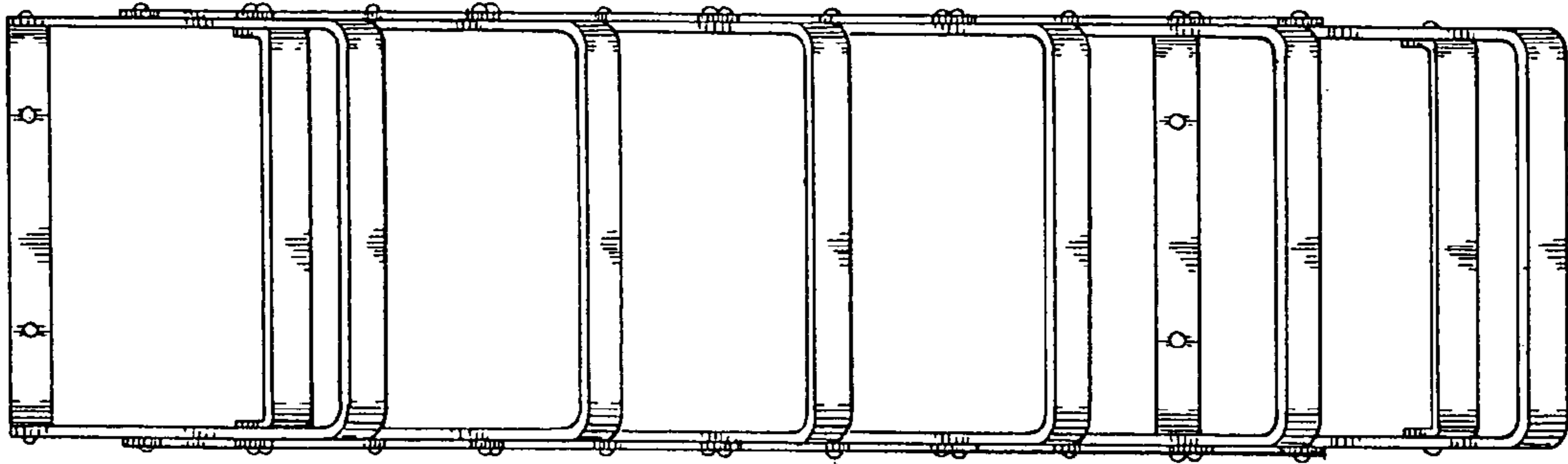


Fig. 4

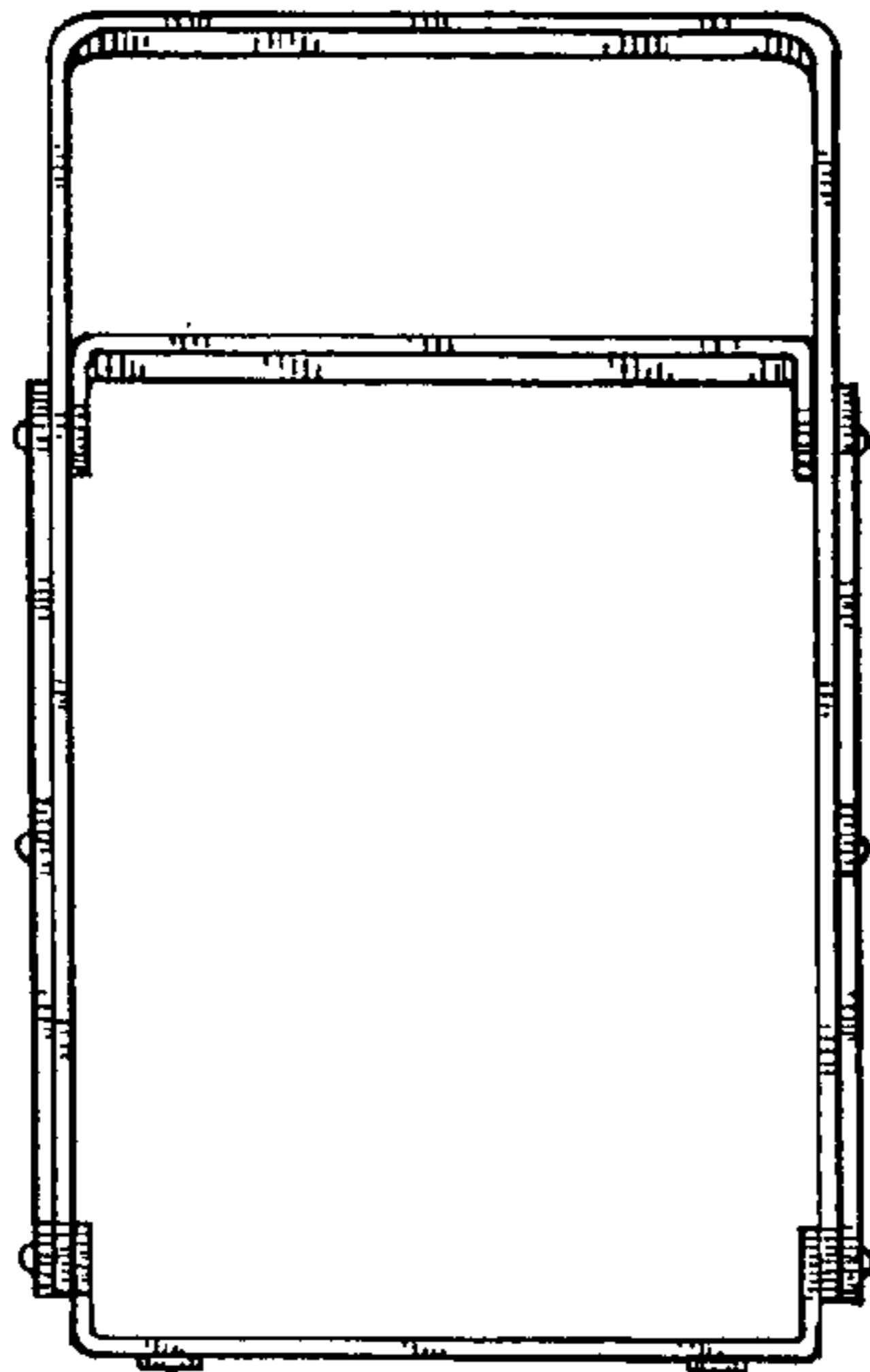


Fig. 5

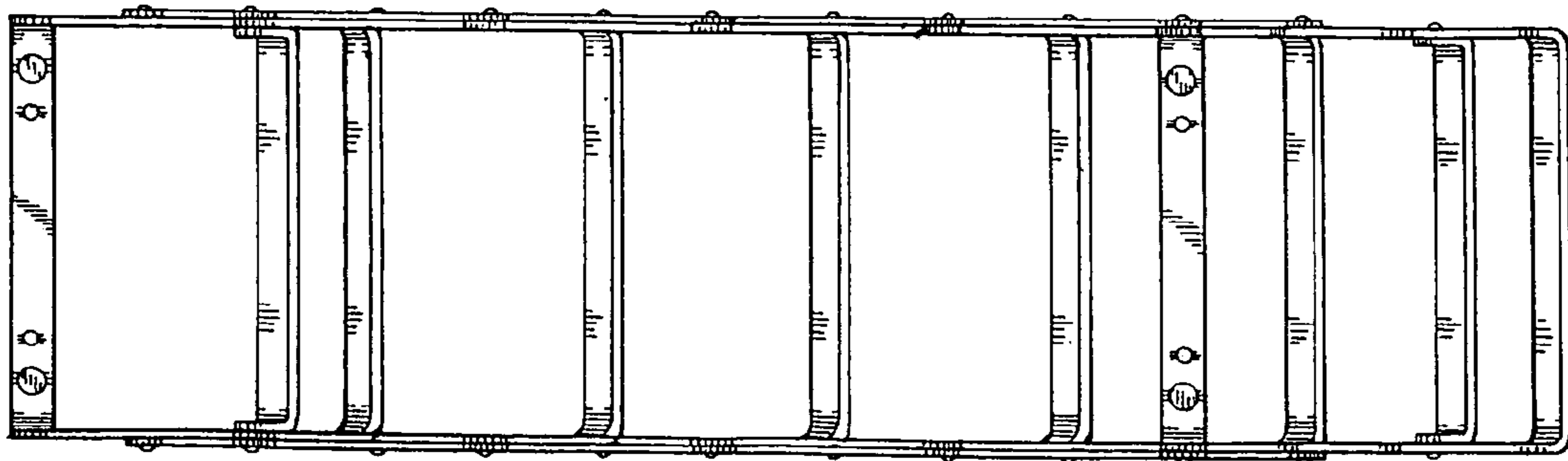


Fig. 6

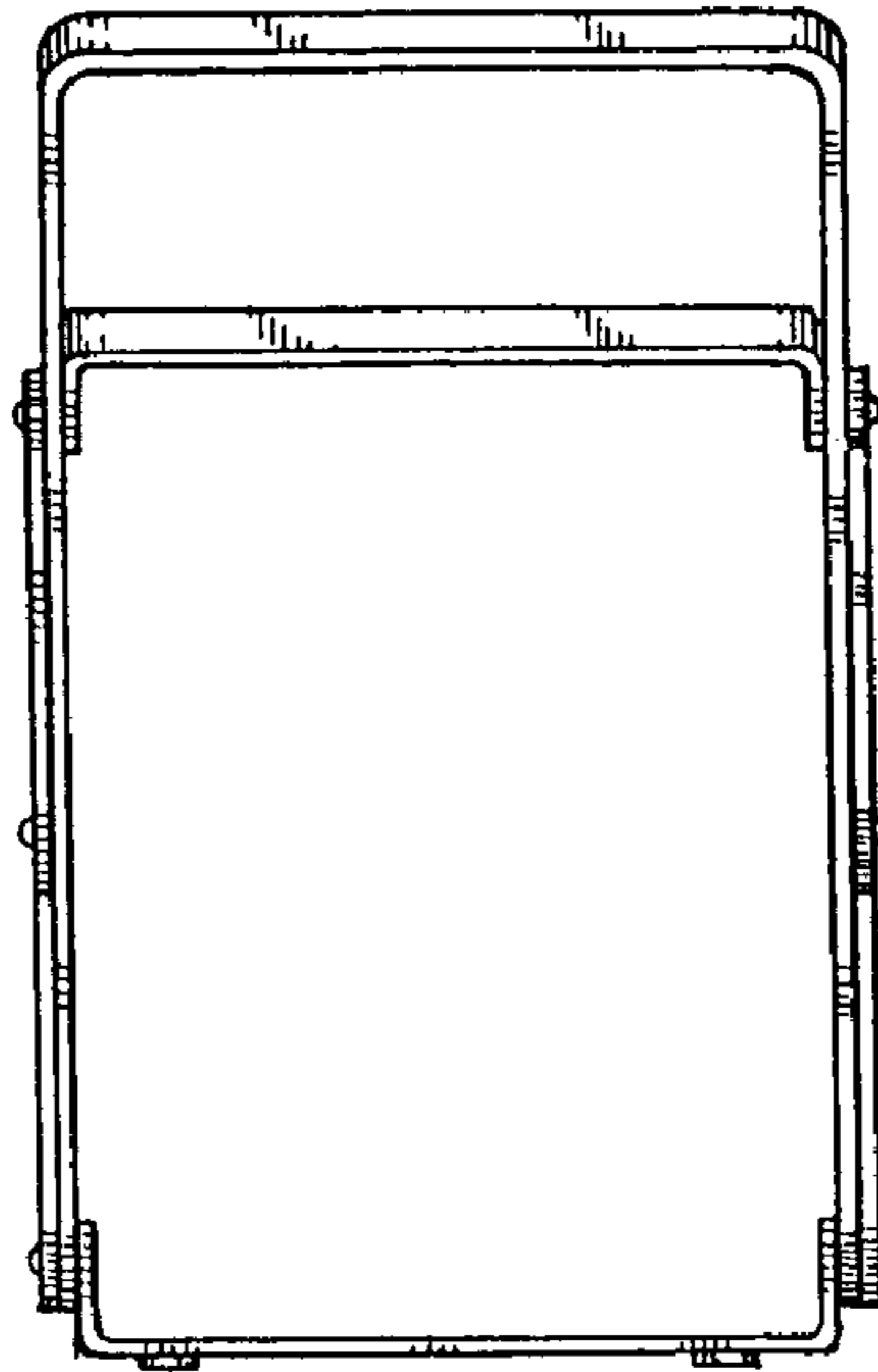


Fig. 7

