



US00D555199S

(12) **United States Design Patent** (10) **Patent No.:** **US D555,199 S**
Ono (45) **Date of Patent:** **** Nov. 13, 2007**

- (54) **FILM-TRANSFERRING DEVICE**
- (75) Inventor: **Satoru Ono**, Tokorozawa (JP)
- (73) Assignee: **Plus Stationery Corporation**, Tokyo (JP)
- (**) Term: **14 Years**
- (21) Appl. No.: **29/205,825**
- (22) Filed: **May 19, 2004**
- (30) **Foreign Application Priority Data**
Dec. 1, 2003 (JP) 2003-035692
- (51) **LOC (8) Cl.** **19-02**
- (52) **U.S. Cl.** **D19/69**
- (58) **Field of Classification Search** D19/66,
D19/67, 68, 69, 70; 156/523, 257, 540, 577;
206/411; 225/6, 25, 39, 77; 242/588, 588.1,
242/588.2, 588.3, 588.6, 598.5
See application file for complete search history.

- (56) **References Cited**
U.S. PATENT DOCUMENTS
D355,934 S * 2/1995 Oga et al. D19/69
5,512,128 A * 4/1996 Manusch et al. 156/577
5,759,270 A * 6/1998 Lee 118/257
D420,389 S * 2/2000 Shimizu D19/69
D421,059 S * 2/2000 Shimizu D19/69
D424,116 S * 5/2000 You D19/69
D438,250 S * 2/2001 Katami D19/69
6,206,072 B1 * 3/2001 Orihara et al. 156/540
D446,246 S * 8/2001 Kimura D19/69
6,270,578 B1 * 8/2001 Murakoshi 118/257
6,273,982 B1 * 8/2001 Semmler 156/238
D451,960 S * 12/2001 Shimizu D19/69
D456,450 S * 4/2002 Kimura D19/69
6,550,518 B1 * 4/2003 Lee 156/577
D475,745 S * 6/2003 Ono D19/69
D476,035 S * 6/2003 Katami D19/69
D476,687 S * 7/2003 Katami D19/69

- 6,599,363 B2 * 7/2003 Narita 118/76
- D489,093 S * 4/2004 Ono D19/69
- D494,221 S * 8/2004 Suzuki D19/69

(Continued)

Primary Examiner—Cathron C. Brooks
Assistant Examiner—Austin Murphy
(74) *Attorney, Agent, or Firm*—Darby & Darby

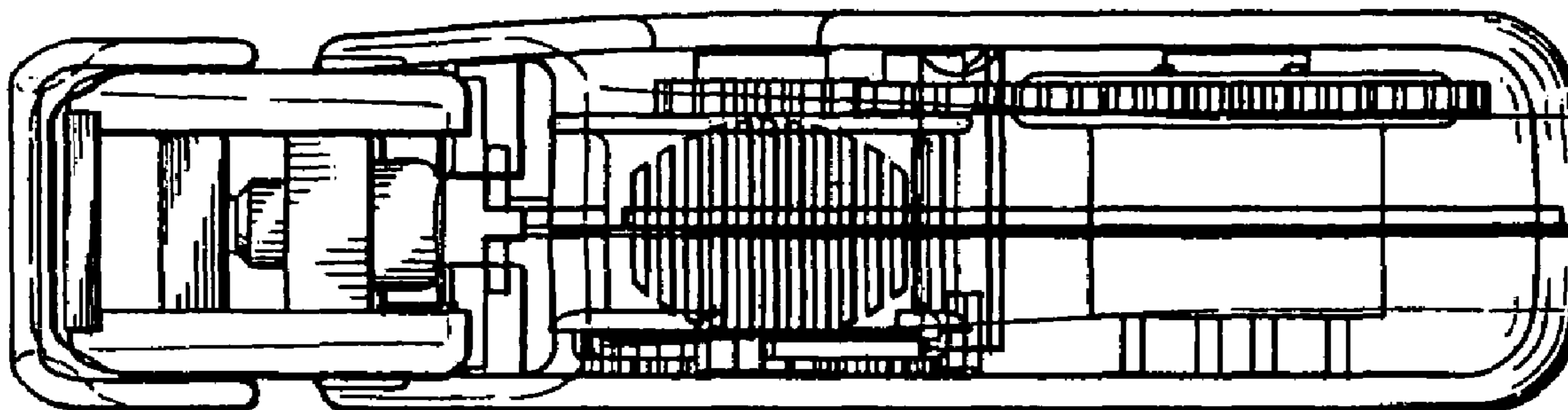
(57) **CLAIM**

The ornamental design for a film-transferring device, as shown and described.

DESCRIPTION

FIG. 1 is a top plan view showing my new design for a film-transferring device;
 FIG. 2 is a front elevational view thereof;
 FIG. 3 is a left side elevational view thereof;
 FIG. 4 is a rear elevational view thereof;
 FIG. 5 is a bottom plan view thereof;
 FIG. 6 is a right side elevational view thereof;
 FIG. 7 is a perspective view thereof, as viewed from the left;
 FIG. 8 is a cross-sectional view thereof taken along line 8—8 indicated in FIG. 6, the “J” shaped portion indicated by the left-side-up hatching at the left end of the article and the “U”-shaped portion indicated by the right-side-up hatching and the left-side-up hatching along the right side circumference of the article being transparent;
 FIG. 9 is a cross-sectional view thereof taken along line 9—9 indicated in FIG. 2. The left side up hatching on the left side indicates transparency;
 FIG. 10 is a cross-sectional view thereof taken along line 10—10 indicated in FIG. 2; The left side up hatching on the right side indicates transparency; and,
 FIG. 11 is a reference view thereof showing state of use.

1 Claim, 5 Drawing Sheets



US D555,199 S

Page 2

U.S. PATENT DOCUMENTS					
		7,117,915	B2 *	10/2006	Rolion 156/577
D498,498	S * 11/2004	Ono	D19/69	
D523,085	S * 6/2006	Mitsui et al.	D19/69	
D524,373	S * 7/2006	Kimura	D19/69	
		2002/0062928	A1 *	5/2002	Ishikawa 156/523
		2005/0155717	A1 *	7/2005	Mitsui et al. 156/577
					* cited by examiner

Fig. 1

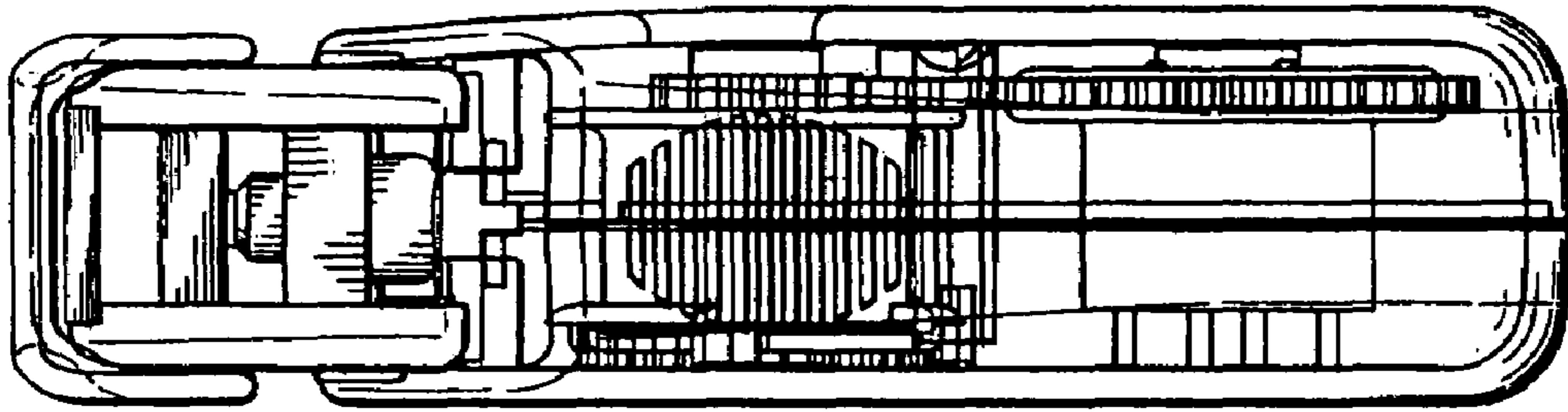


Fig. 2

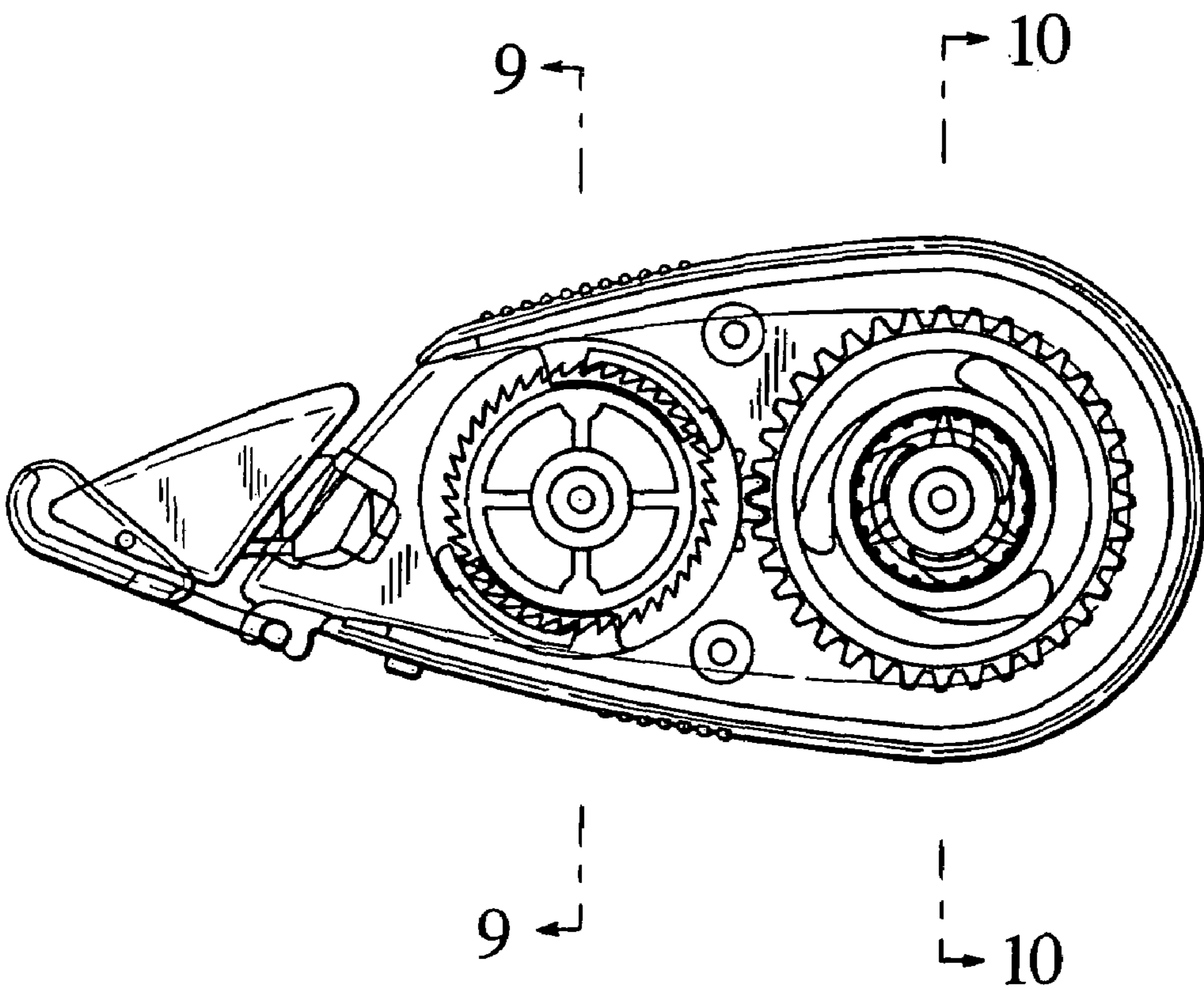


Fig. 3

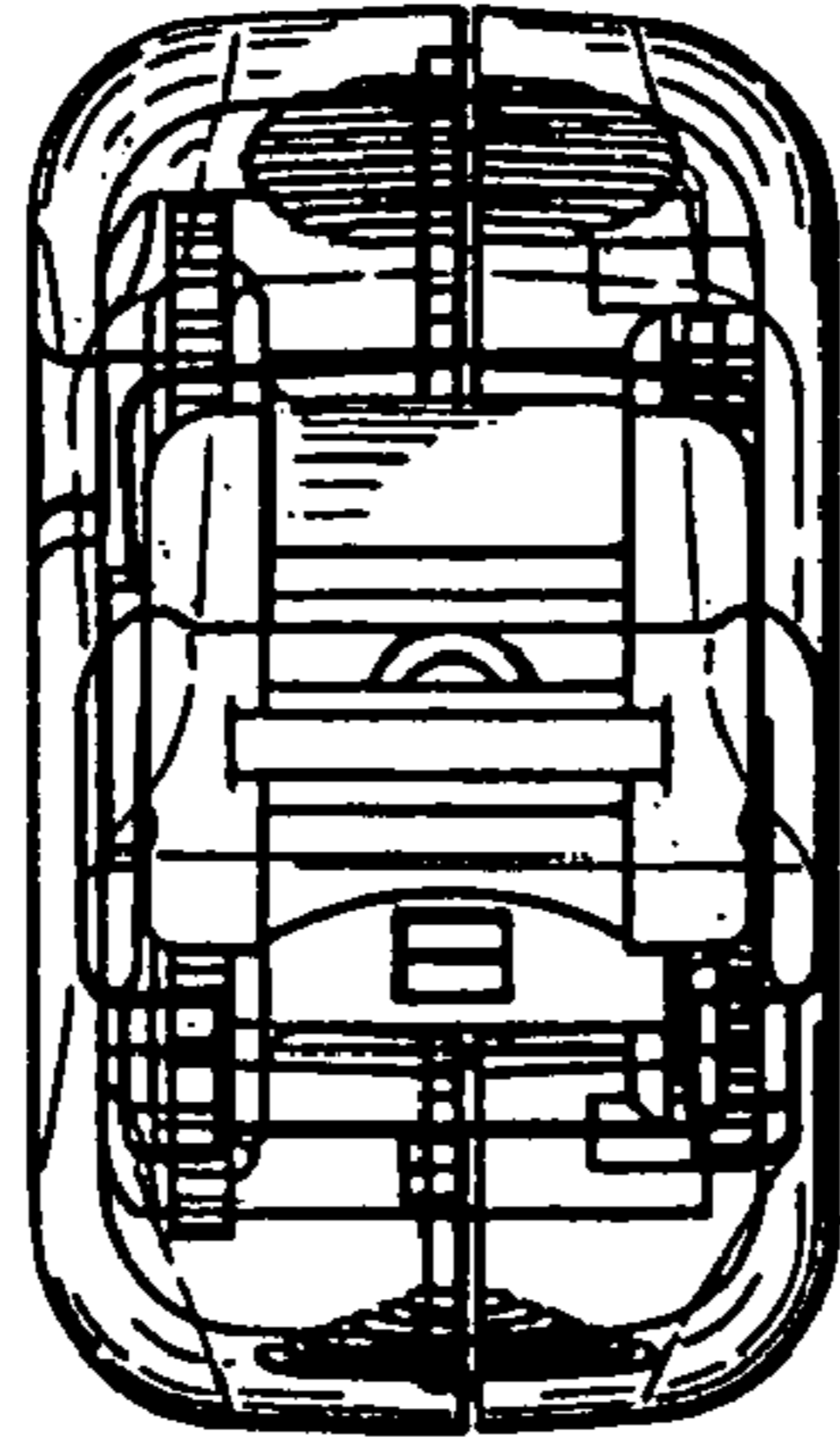


Fig. 4

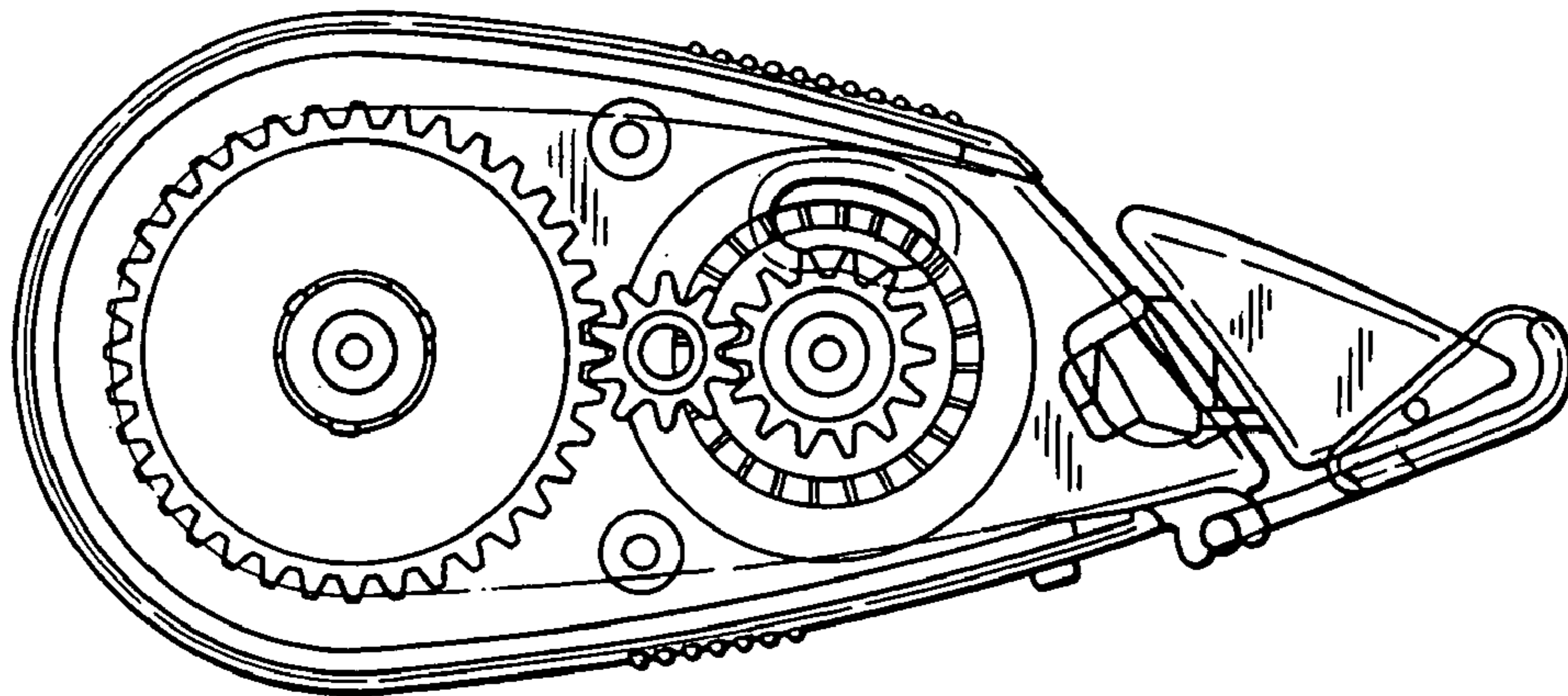


Fig. 5

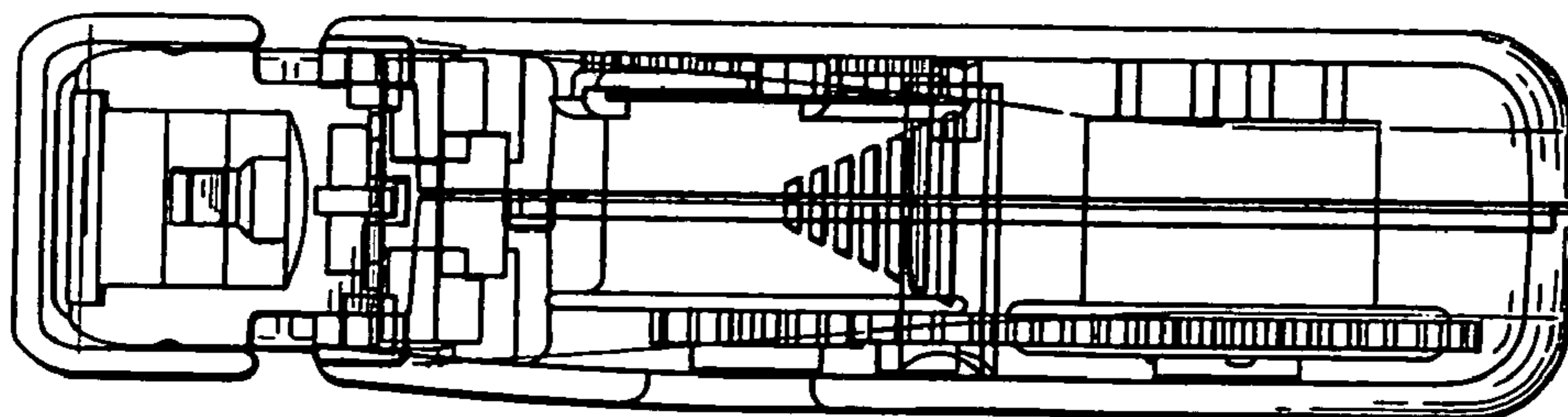


Fig. 6

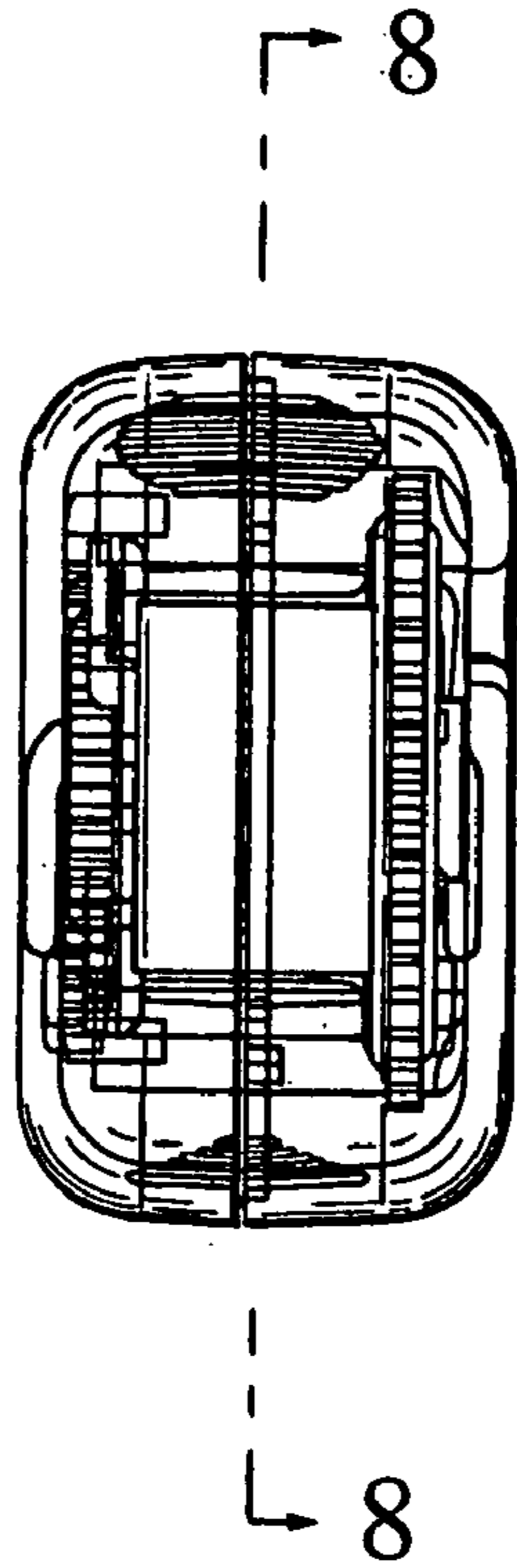


Fig. 7

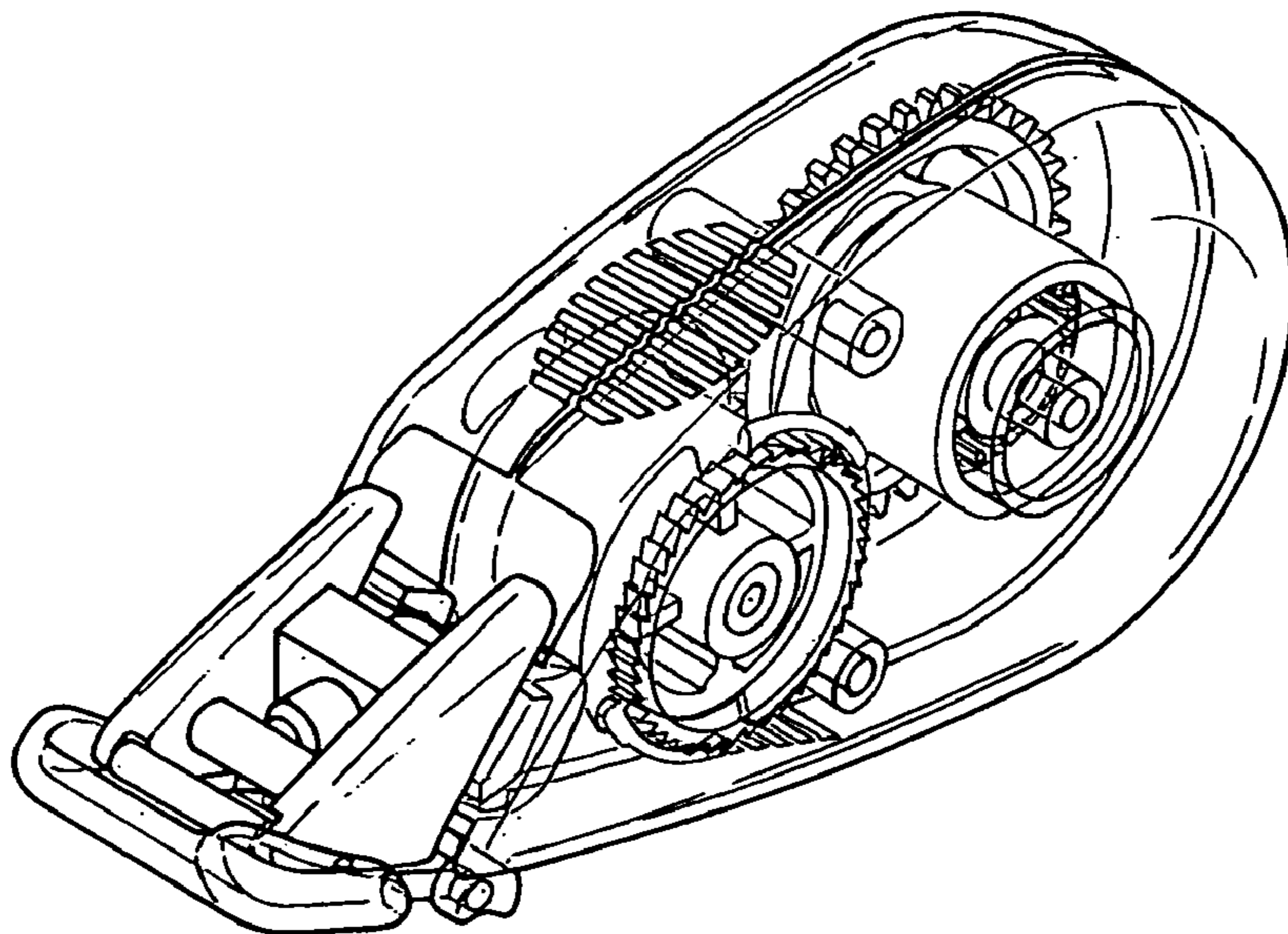


Fig. 8

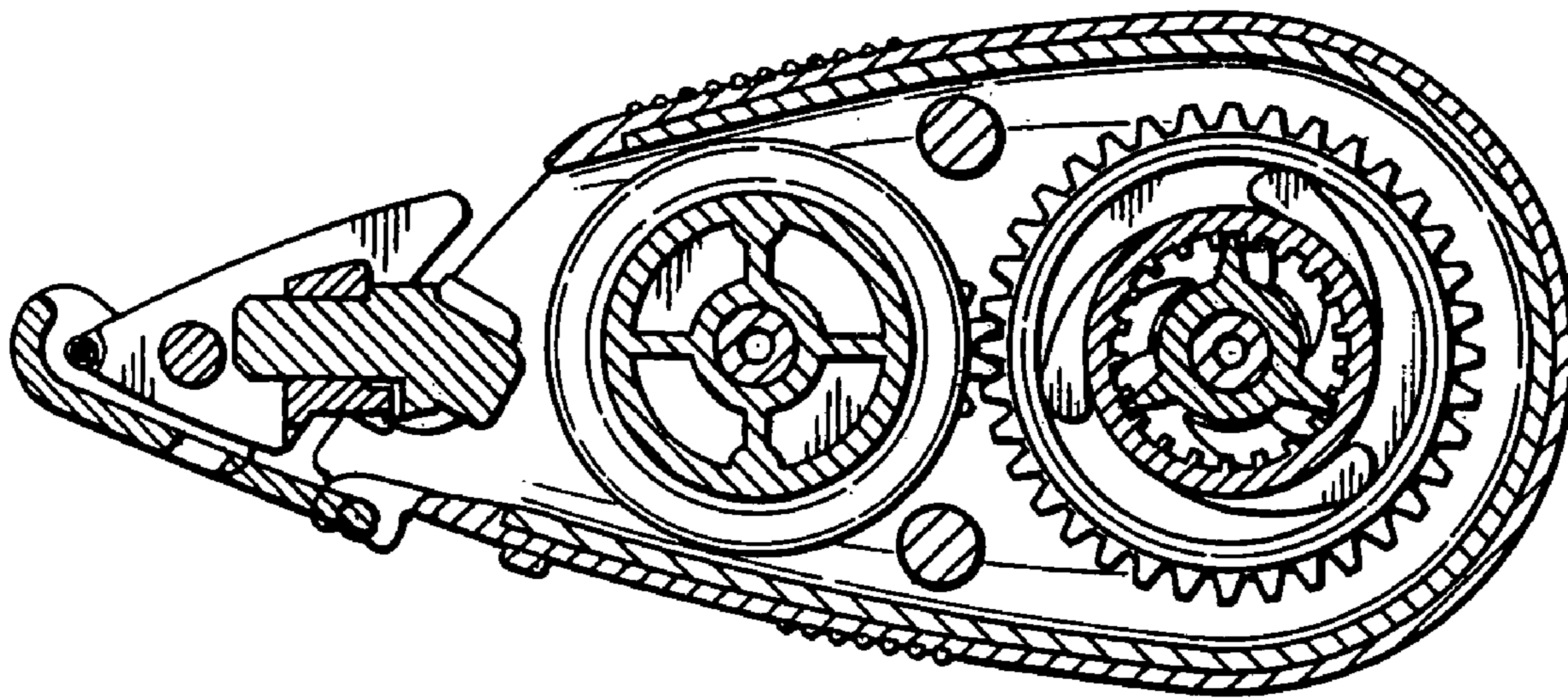


Fig. 9

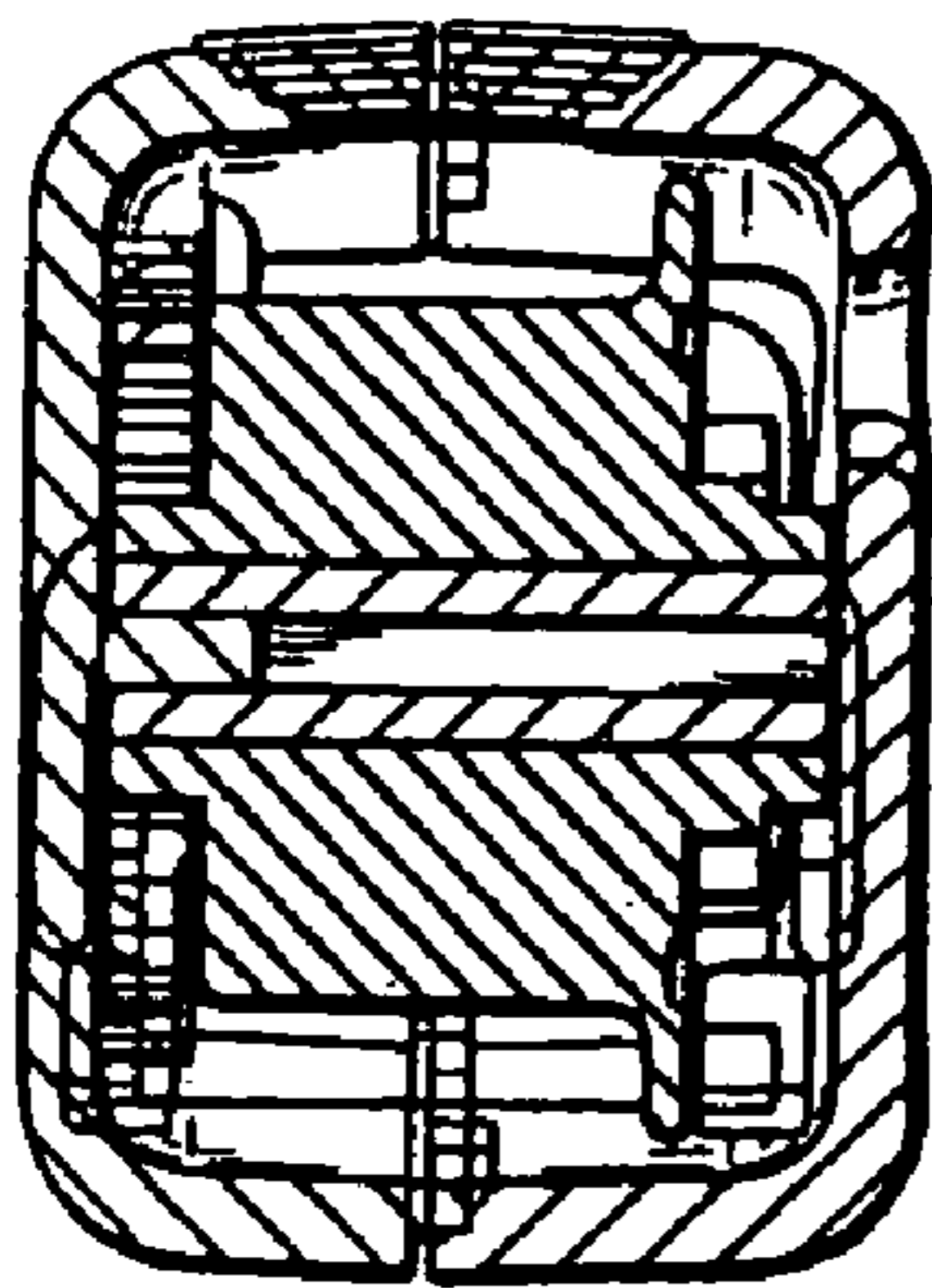


Fig. 10

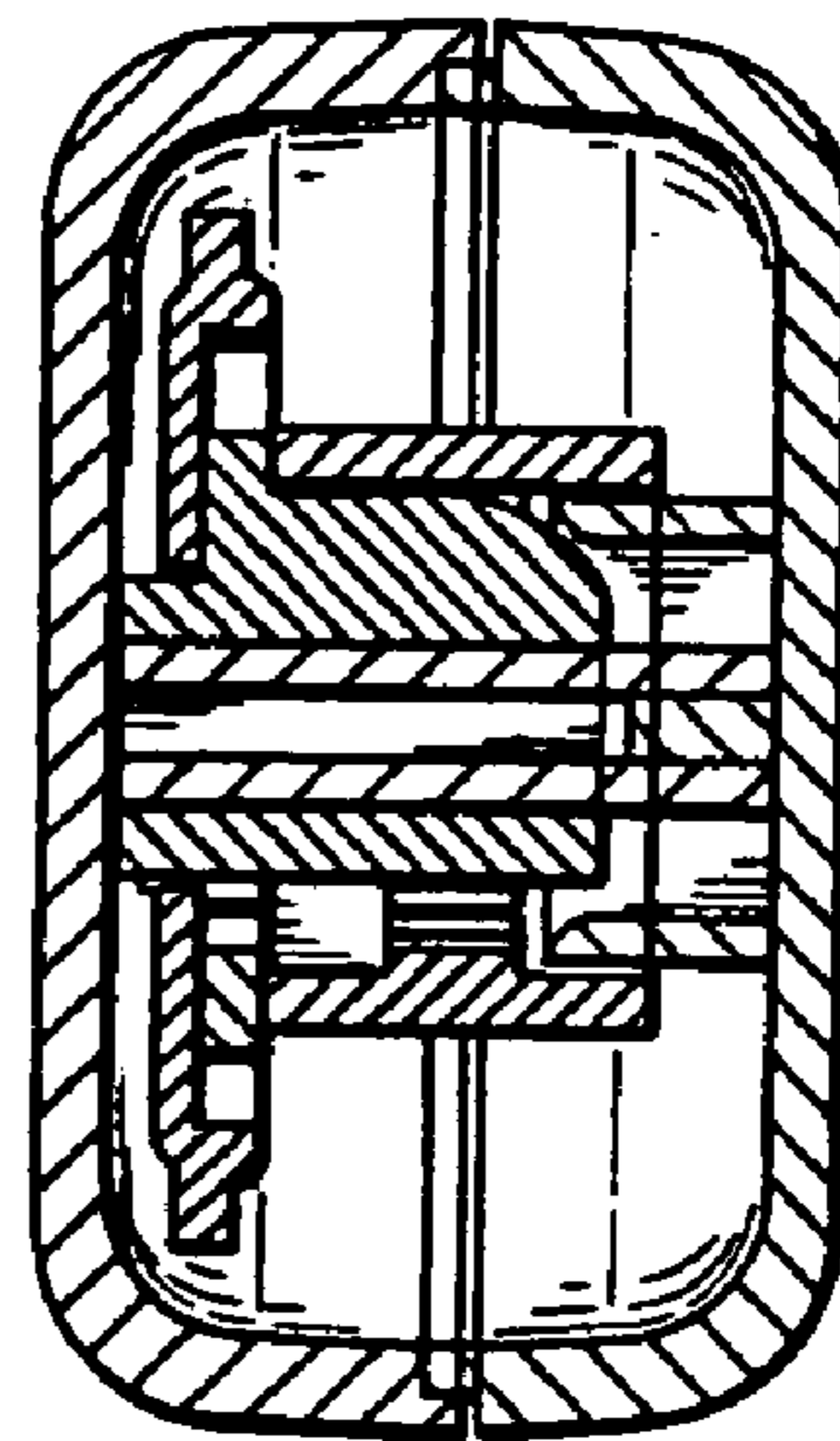


Fig. 11

