



US00D555195S

(12) **United States Design Patent** (10) **Patent No.:** **US D555,195 S**
Park et al. (45) **Date of Patent:** **** *Nov. 13, 2007**

(54) **LASER COMPLEX** D536,372 S * 2/2007 Lim et al. D18/53

(75) Inventors: **Tae-Kung Park**, Seoul (KR); **Ji-Sang Park**, Seoul (KR); **Bong-Uk Lim**, Seoul (KR); **Hee-Yul Kim**, Seoul (KR)

(73) Assignee: **Samsung Electronics Co., Ltd.**, Kyunggi-do (KR)

(*) Notice: This patent is subject to a terminal disclaimer.

(**) Term: **14 Years**

(21) Appl. No.: **29/256,401**

(22) Filed: **Mar. 20, 2006**

(51) **LOC (8) Cl.** **14-02**

(52) **U.S. Cl.** **D18/55**

(58) **Field of Classification Search** D18/14,
D18/36-39, 46-49, 50, 53, 54, 54.1, 55;
D14/420-425, 462-470; 399/107; 400/613,
400/613.1-613.4, 690.1-690.4, 691-694
See application file for complete search history.

(56) **References Cited**

U.S. PATENT DOCUMENTS

D326,867 S	6/1992	Kwak	
D359,506 S	6/1995	Lee	
D378,218 S	2/1997	Hong et al.	
D468,762 S *	1/2003	Kurita et al.	D18/39
D501,667 S *	2/2005	Ishigami et al.	D18/50
D518,515 S *	4/2006	Miyauchi et al.	D18/55
D528,154 S *	9/2006	Hattori	D18/54
D528,155 S *	9/2006	Katayama	D18/55
D529,951 S *	10/2006	Katayama et al.	D18/53
D532,449 S *	11/2006	Tjin Wong Joe et al.	D18/55
D534,578 S *	1/2007	Katayama et al.	D18/55

OTHER PUBLICATIONS

U.S. Appl. No. 29/231,928, Applicant: Bong-Uk Lim, et al., filed Jun. 10, 2005 entitled Laser Printer.

U.S. Appl. No. 29/231,926, Applicant: Bong-Uk Lim, et al., filed Jun. 10, 2005 entitled Laser Complex.

U.S. Appl. No. 29/231,929, Applicant: Bong-Uk Lim, et al., filed Jun. 10, 2005 entitled Laser Printer.

U.S. Appl. No. 29/236,963, Applicant: Gyeong-Sun Park, et al., filed Aug. 24, 2005 entitled Laser Printer.

U.S. Appl. No. 29/256,397, Applicant: Tae-Kung Park, et al., filed Mar. 20, 2006 entitled Laser Complex.

U.S. Appl. No. 29/256,402, Applicant: Hee-Yul Kim, et al., filed Mar. 20, 2006 entitled Laser Printer.

* cited by examiner

Primary Examiner—Cathy Anne MacCormac

(74) *Attorney, Agent, or Firm*—Flynn, Thiel, Boutell & Tanis, P.C.

(57) **CLAIM**

The ornamental design for a laser complex, as shown and described.

DESCRIPTION

FIG. 1 is a top front perspective view of a laser complex showing our new design;

FIG. 2 is a front elevational view thereof;

FIG. 3 is a rear elevational view thereof;

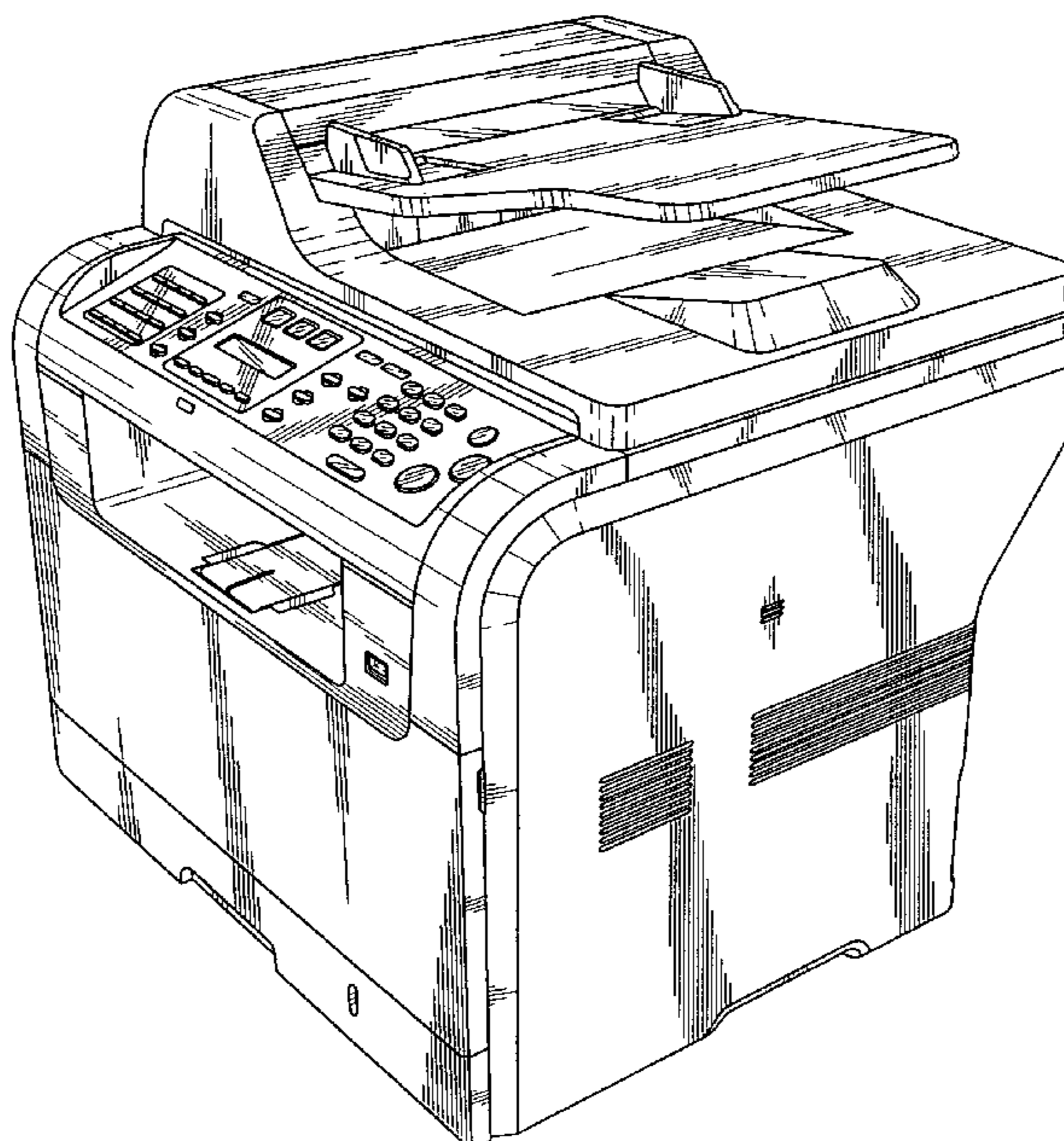
FIG. 4 is a left side elevational view thereof;

FIG. 5 is a right side elevational view thereof;

FIG. 6 is a top plan view thereof; and,

FIG. 7 is a bottom plan view thereof.

1 Claim, 4 Drawing Sheets



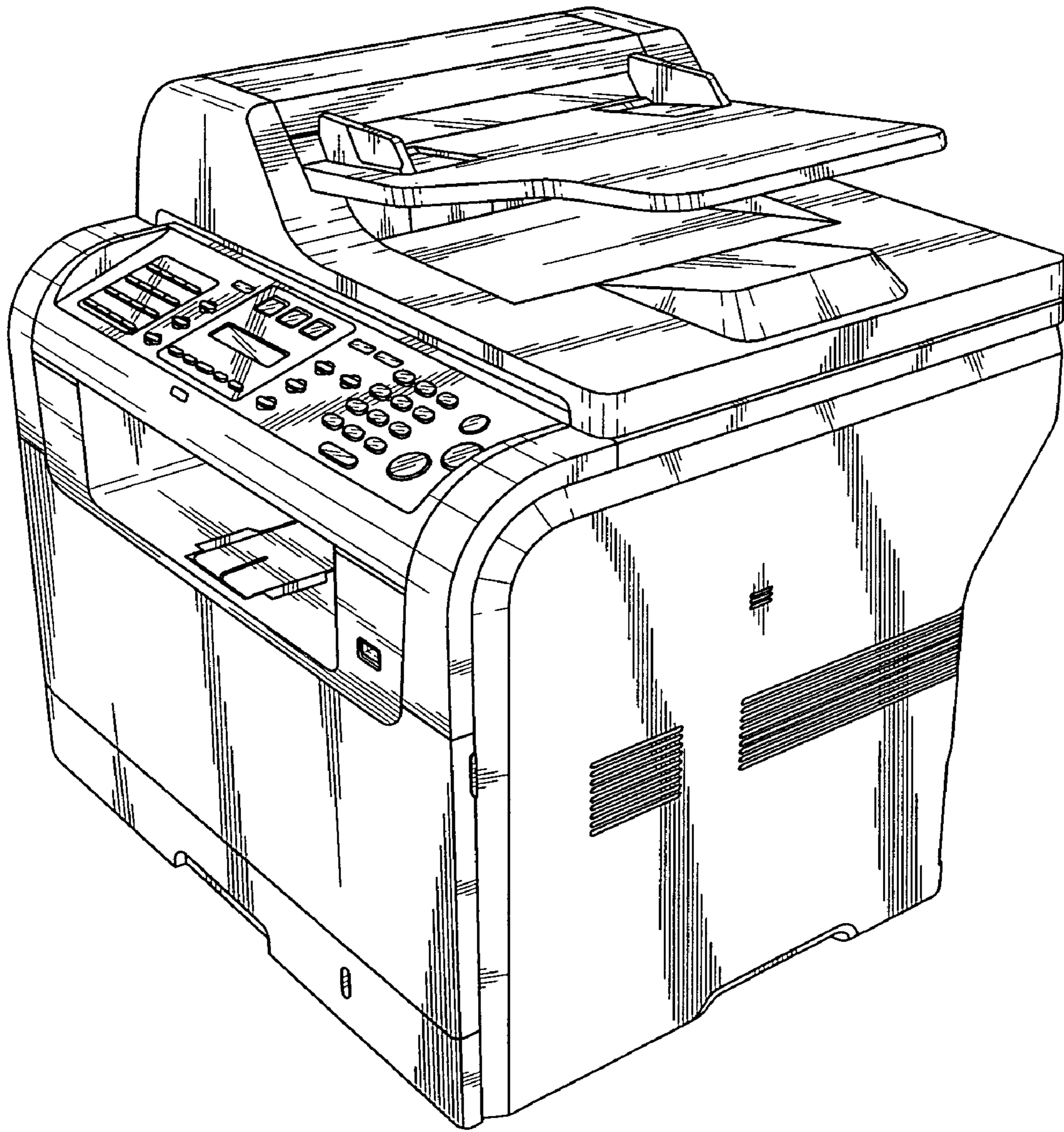


FIG. 1

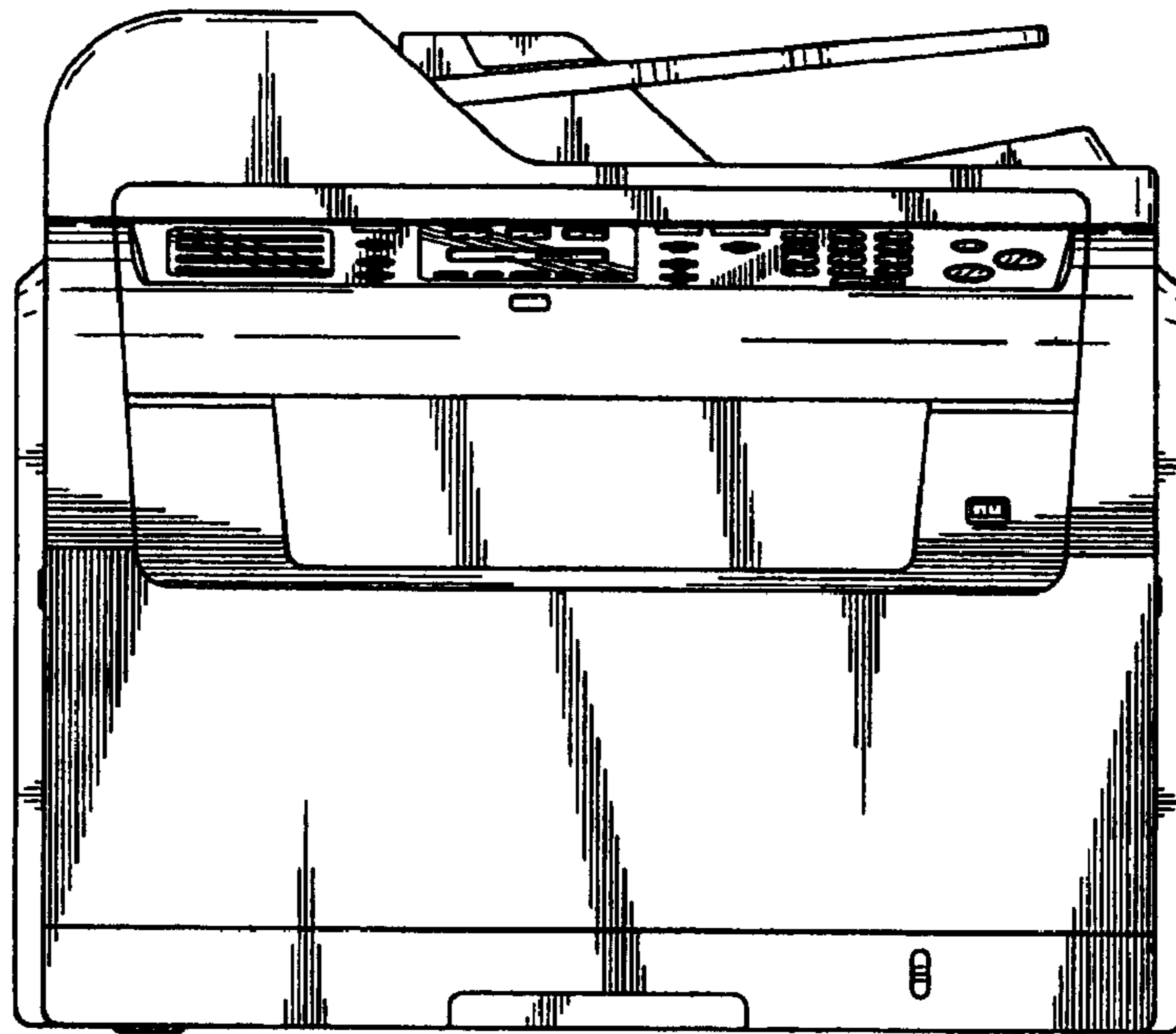


FIG. 2

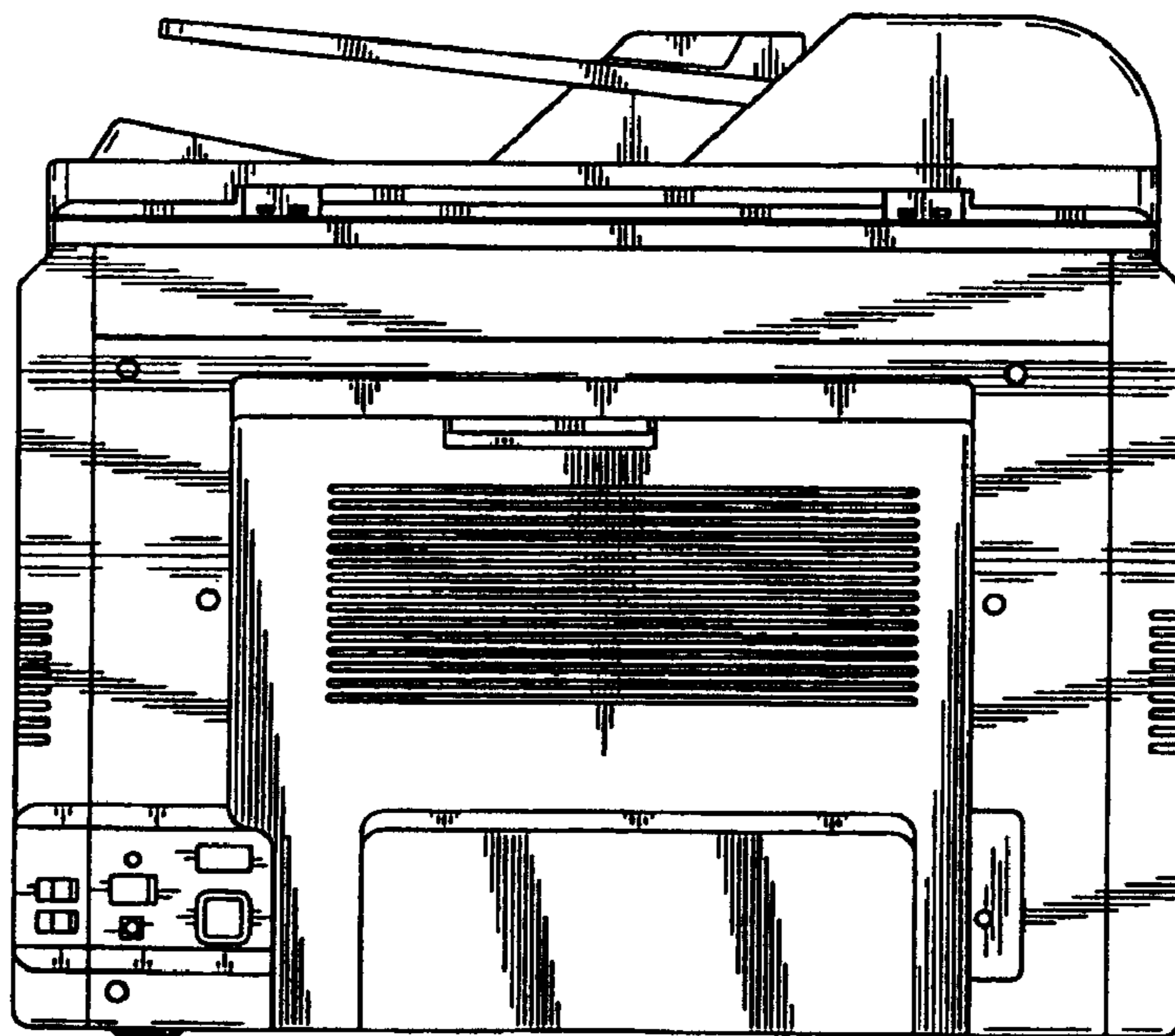


FIG. 3

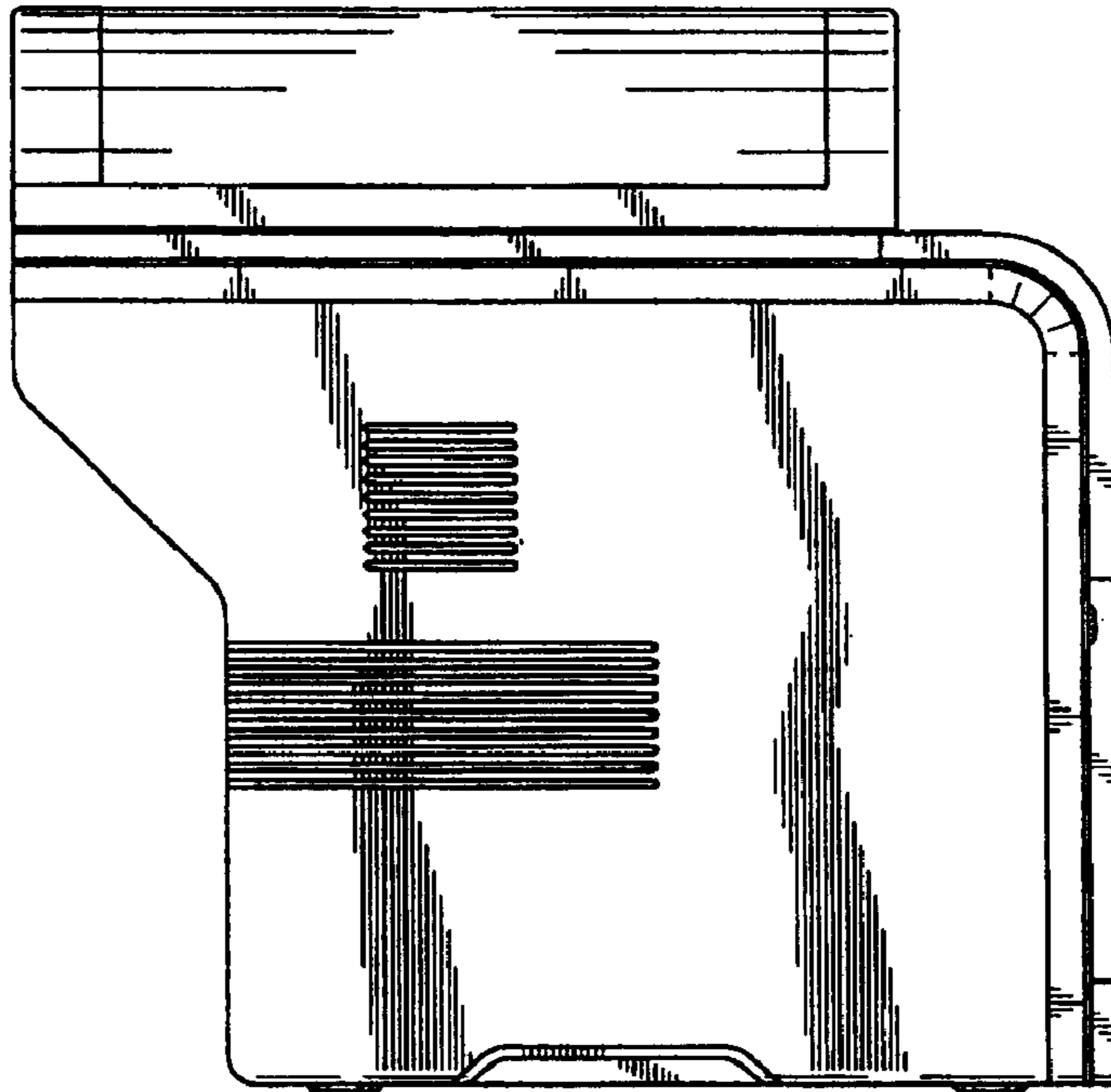


FIG. 4

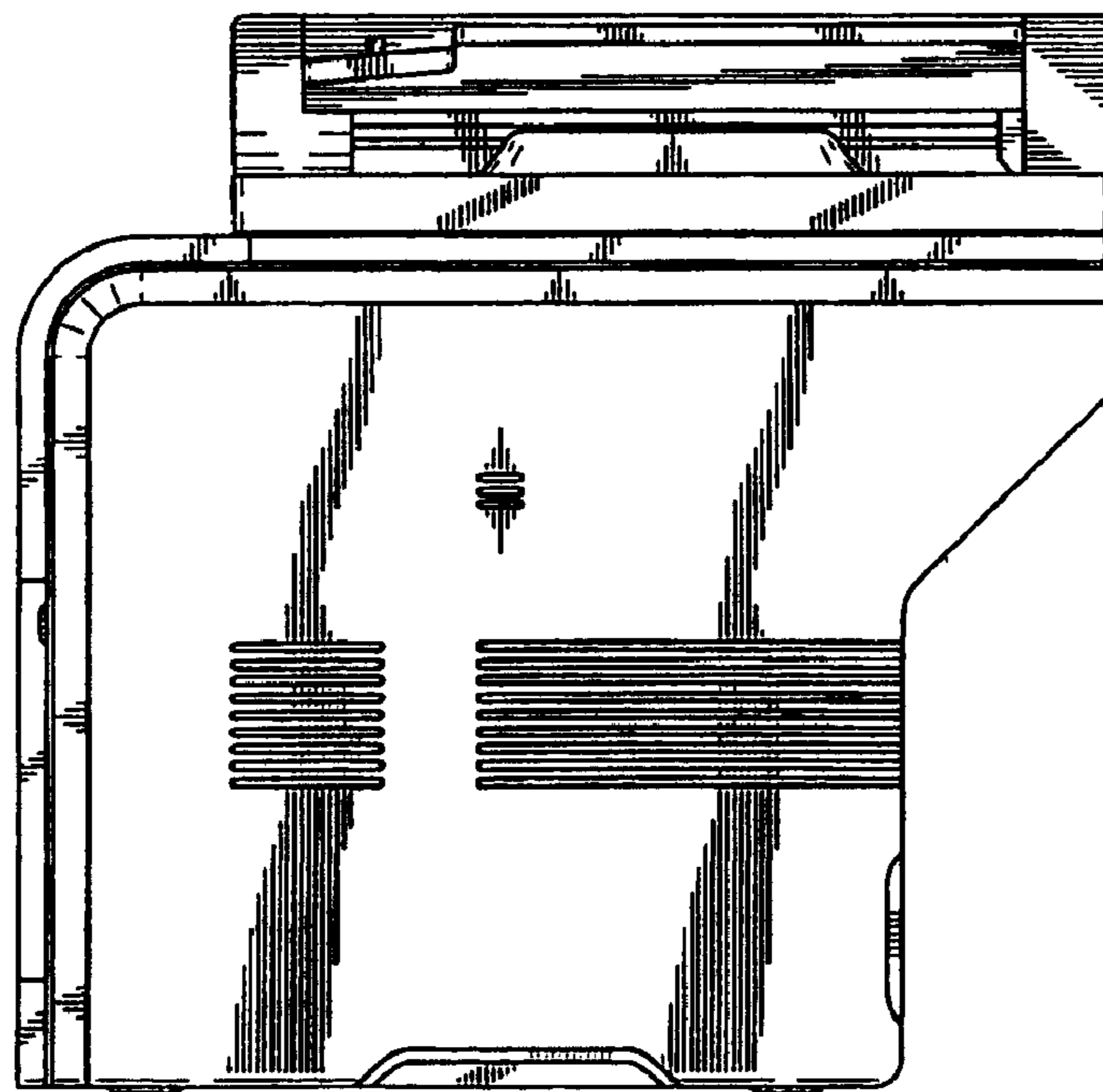


FIG. 5

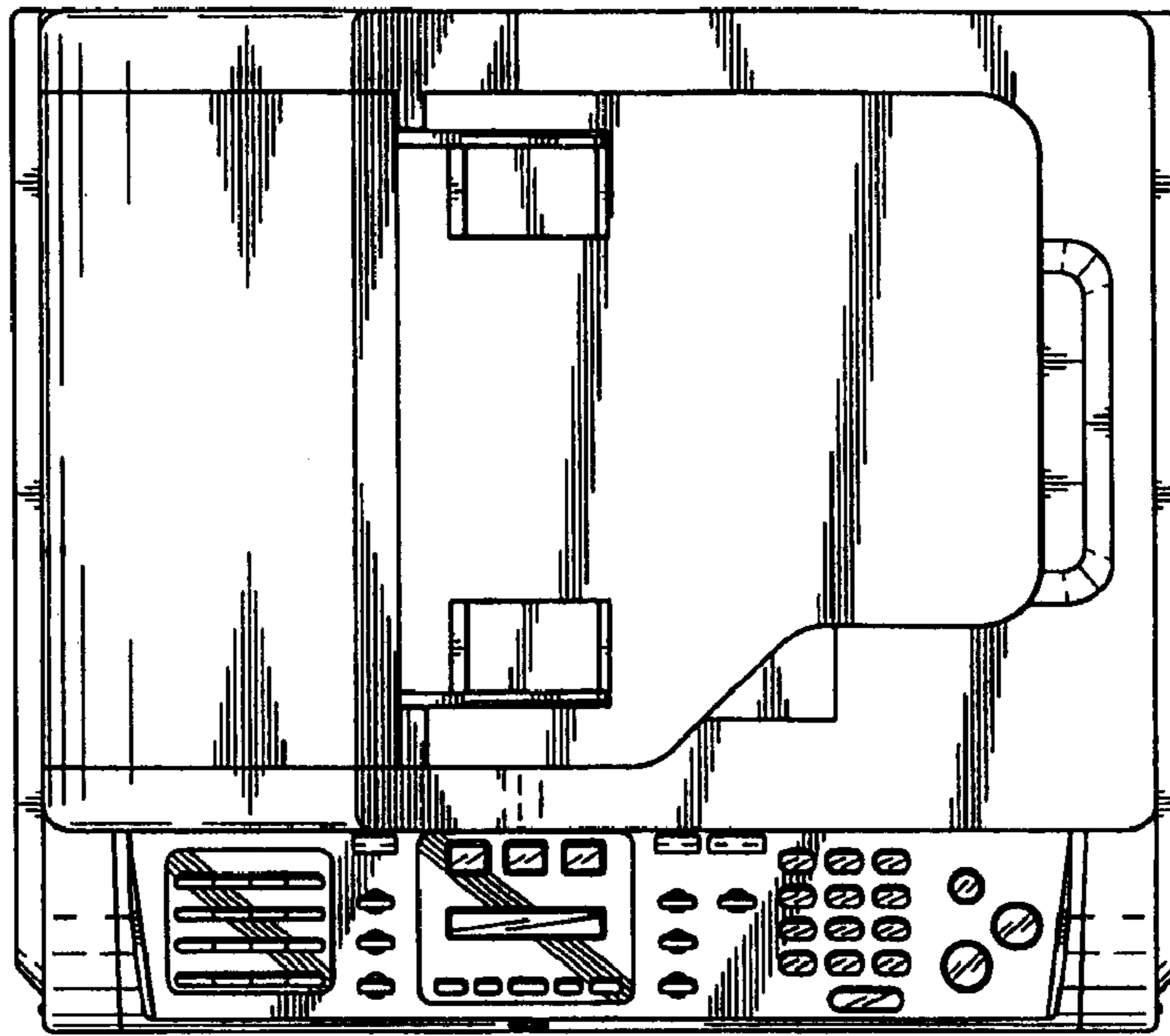


FIG. 6

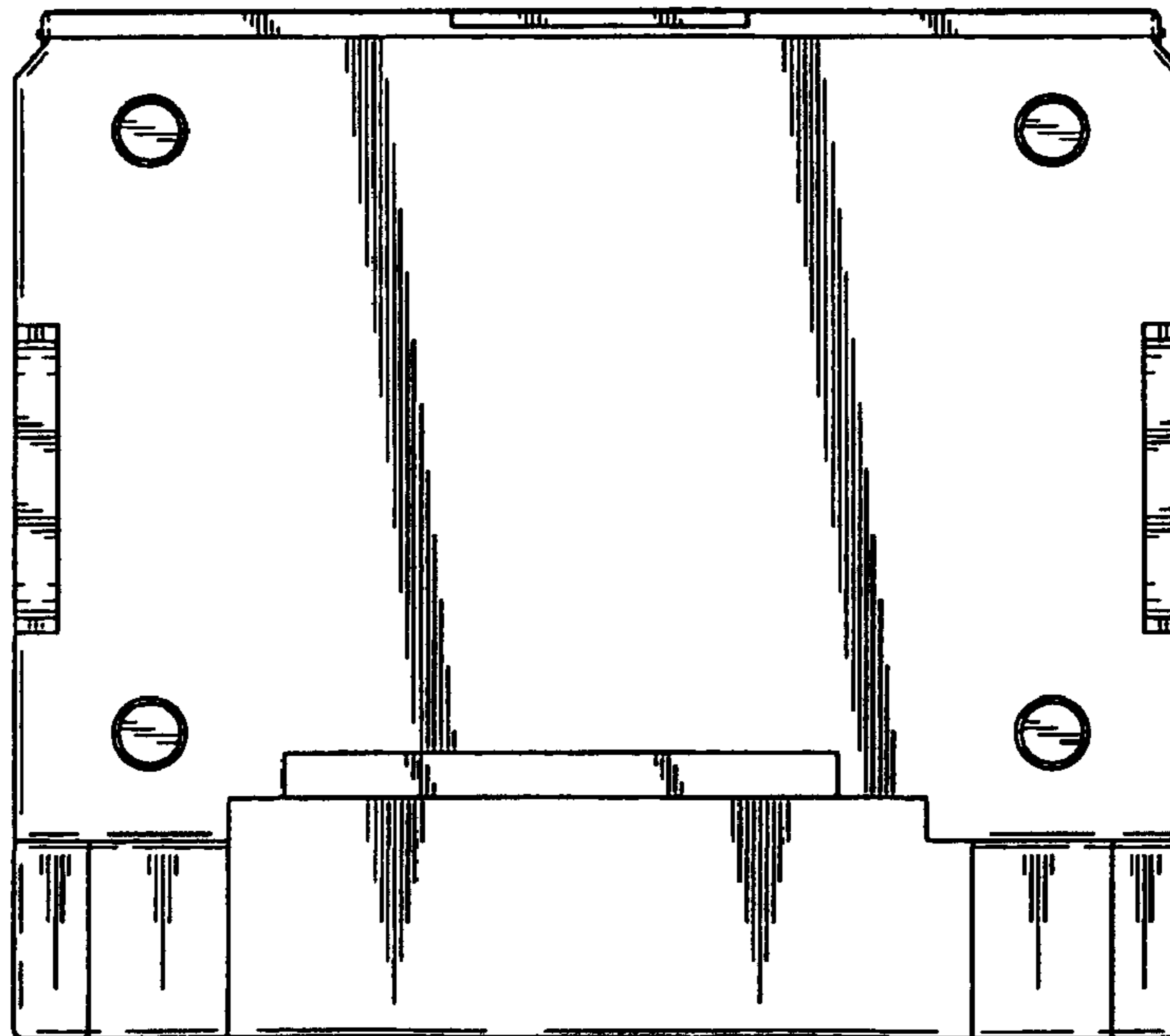


FIG. 7