



US00D555193S

(12) **United States Design Patent**
Choi

(10) **Patent No.:** **US D555,193 S**

(45) **Date of Patent:** **** Nov. 13, 2007**

(54) **DEVELOPMENT DEVICE FOR LASER PRINTER**

2006/0029416 A1* 2/2006 Oguma et al. 399/111
2006/0093385 A1* 5/2006 Kamimura 399/27
2006/0165433 A1* 7/2006 Mercer et al. 399/111

(75) Inventor: **Jai-II Choi**, Seoul (KR)

OTHER PUBLICATIONS

(73) Assignee: **Samsung Electronics Co., Ltd.**,
Kyunggi-do (KR)

U.S. Appl. No. 29/261,032, Applicant: Min-Su Han filed Jun. 6, 2006 entitled Development Device For Laser Printer.
U.S. Appl. No. 29/261,033, Applicant: Min-Su Han filed Jun. 6, 2006 entitled Development Device For Laser Printer.

(**) Term: **14 Years**

* cited by examiner

(21) Appl. No.: **29/261,034**

Primary Examiner—Robert M. Spear

Assistant Examiner—Garth Rademaker

(22) Filed: **Jun. 6, 2006**

(74) *Attorney, Agent, or Firm*—Flynn, Thiel, Boutell & Tanis, P.C.

(51) **LOC (8) Cl.** **16-03**

(52) **U.S. Cl.** **D18/43**

(58) **Field of Classification Search** D14/462,
D14/469–471; D18/12, 36, 40, 43, 44, 56;
222/DIG. 1; 347/197, 222; 399/24–28,
399/107–112, 119, 121, 122, 222–224; 400/207,
400/208

(57) **CLAIM**

See application file for complete search history.

The ornamental design for a development device for laser printer, as shown and described.

DESCRIPTION

(56) **References Cited**

FIG. 1 is a top front perspective view of a development device for laser printer showing our new design;

FIG. 2 is a front elevational view thereof;

U.S. PATENT DOCUMENTS

D286,297 S * 10/1986 Clowe et al. D18/43
D286,541 S * 11/1986 Takahashi et al. D18/43
D362,677 S * 9/1995 Ishibashi et al. D18/43
D460,980 S * 7/2002 Matsuzaki et al. D18/40
D529,541 S * 10/2006 Kawai D18/43
D539,335 S * 3/2007 Jeon et al. D18/43
2002/0064389 A1* 5/2002 Semma et al. 399/24
2002/0159788 A1* 10/2002 Miyabe et al. 399/109
2005/0158072 A1* 7/2005 Kawai 399/119

FIG. 3 is a rear elevational view thereof;

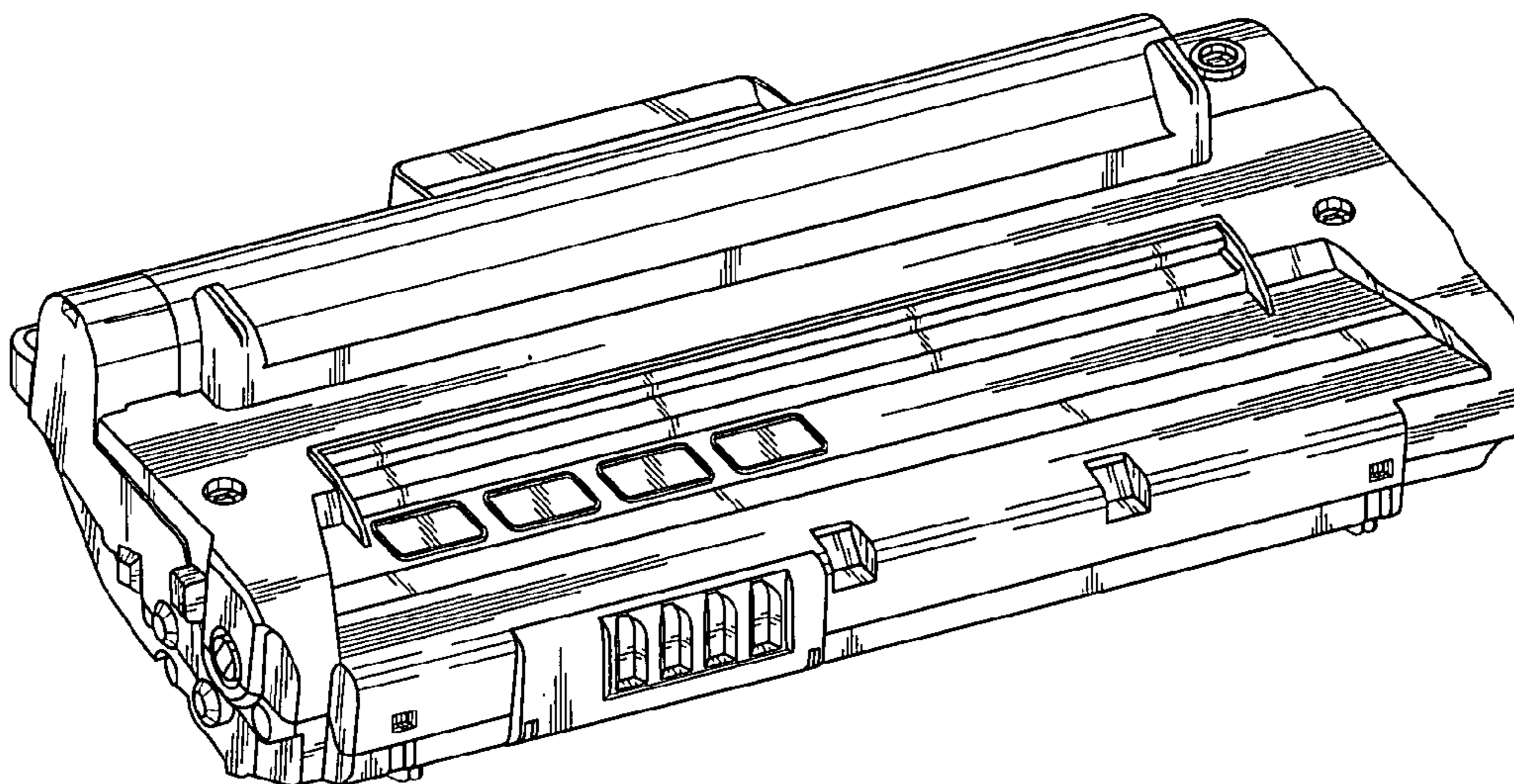
FIG. 4 is a left side elevational view thereof;

FIG. 5 is a right side elevational view thereof;

FIG. 6 is a top plan view thereof; and,

FIG. 7 is a bottom plan view thereof.

1 Claim, 4 Drawing Sheets



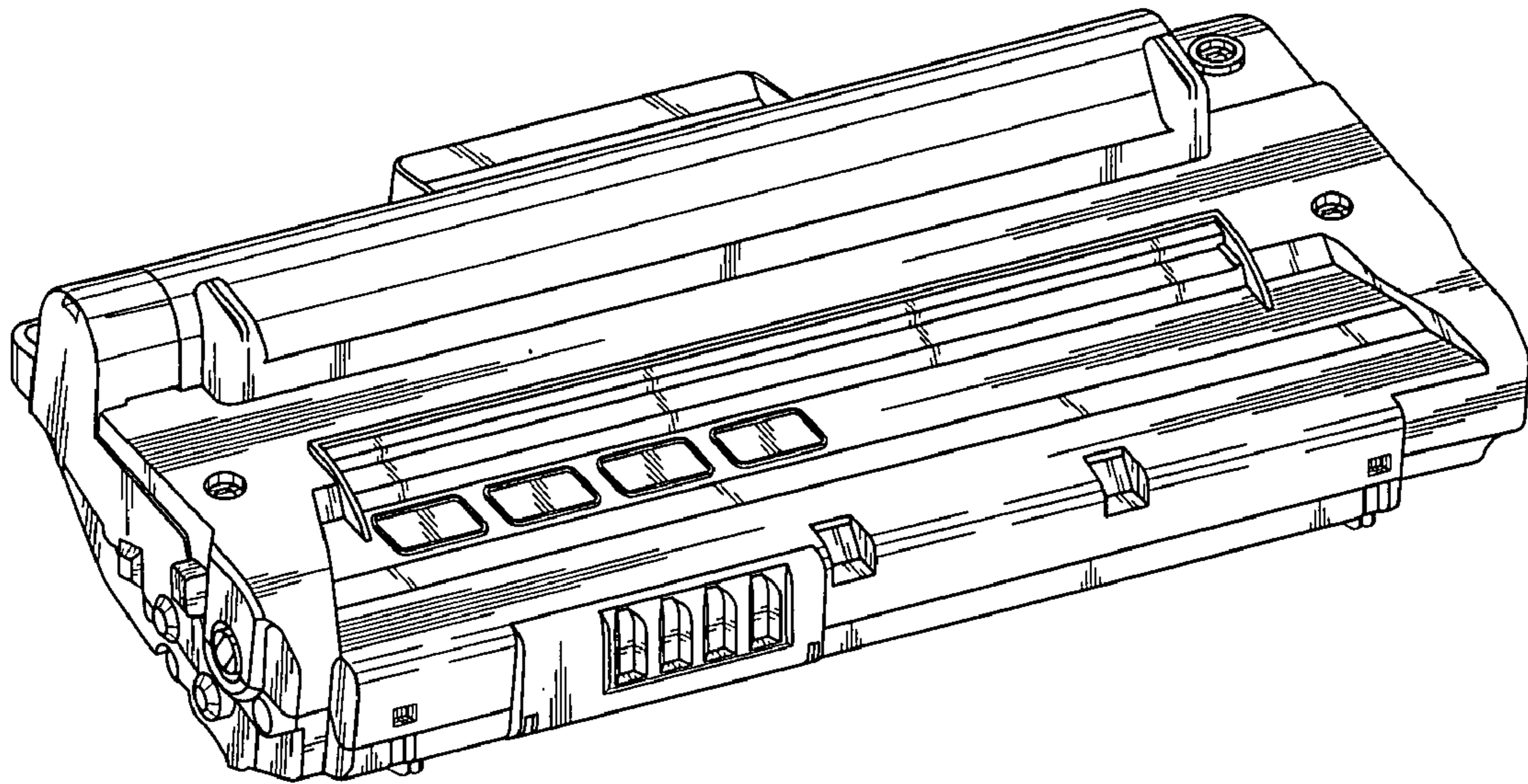


FIG. 1

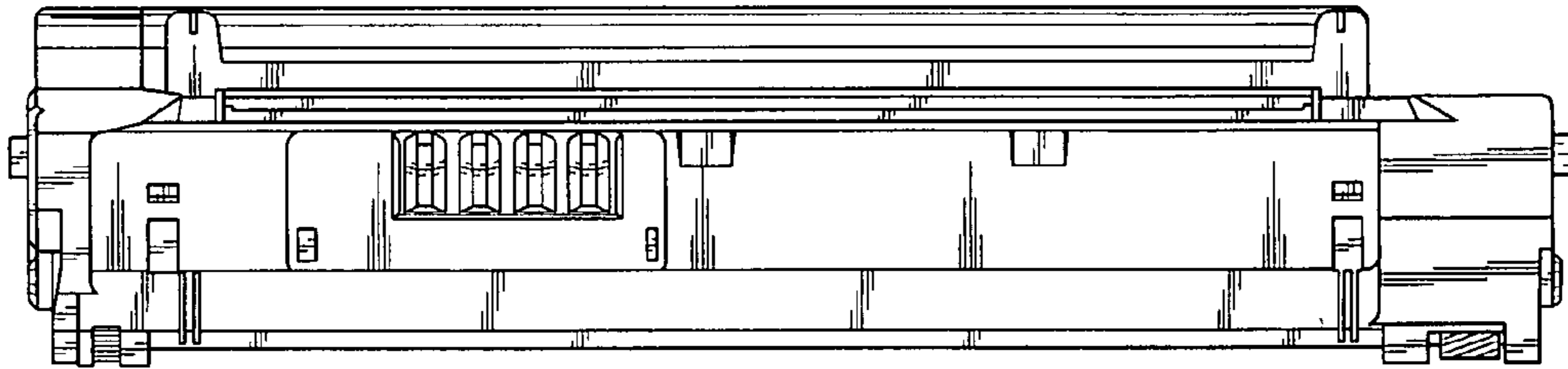


FIG. 2

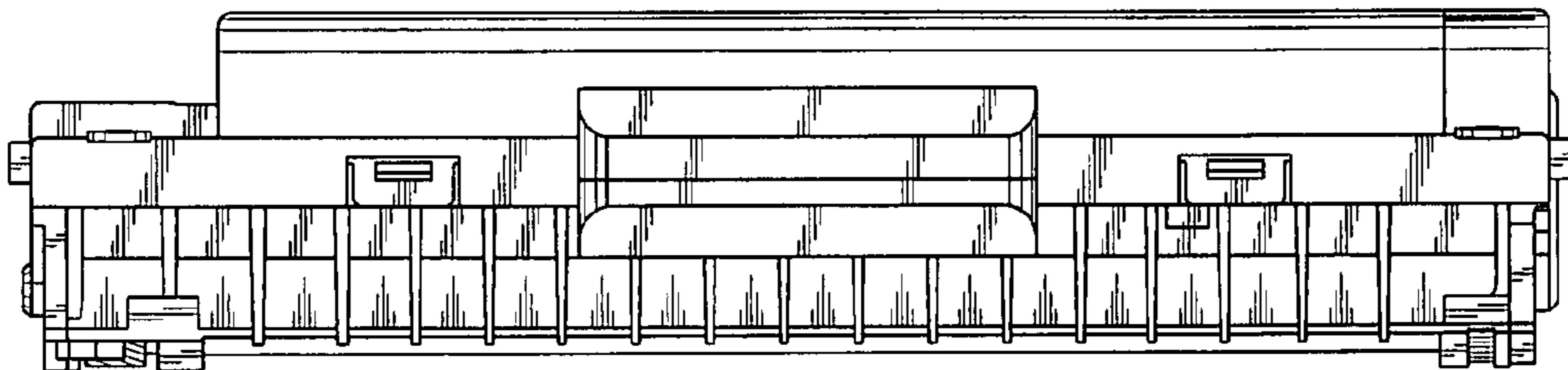


FIG. 3

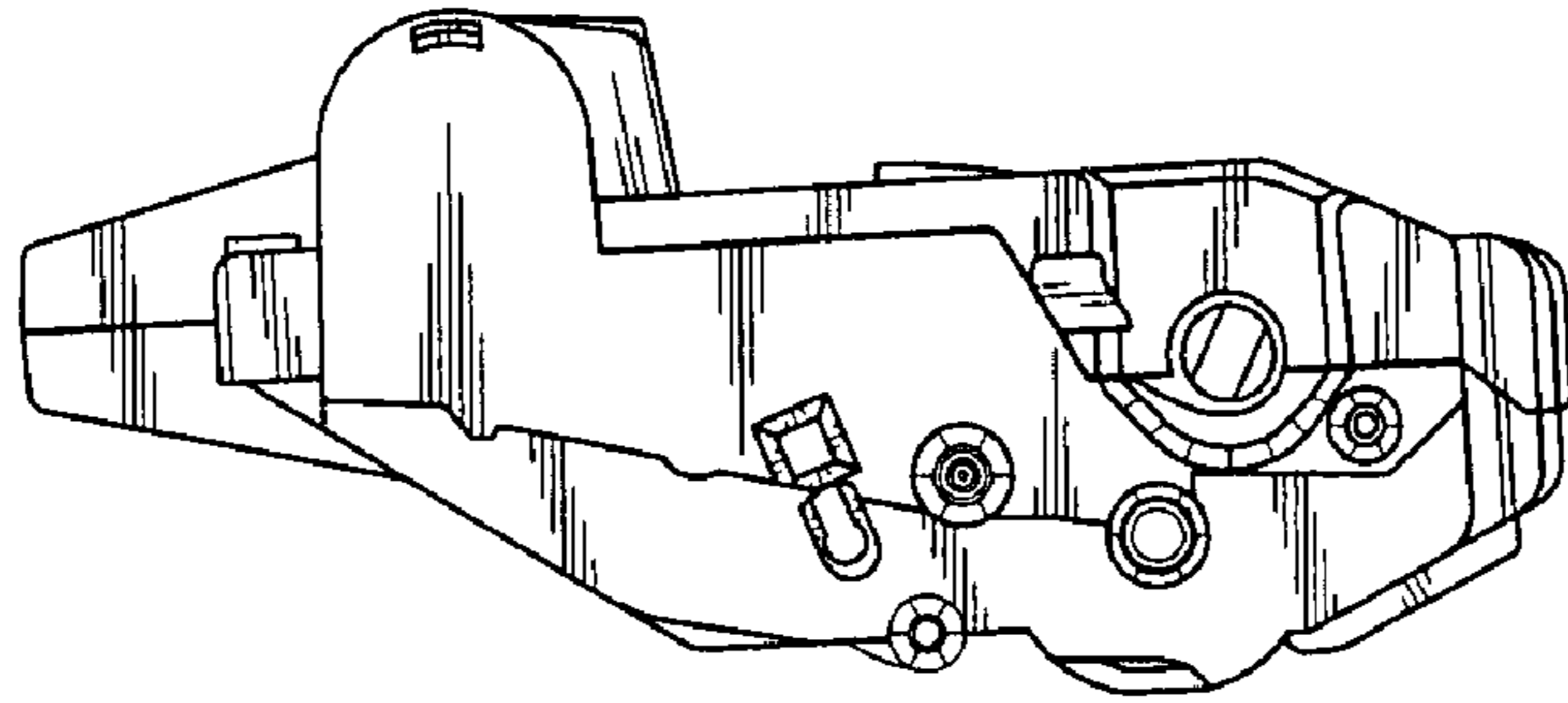


FIG. 4

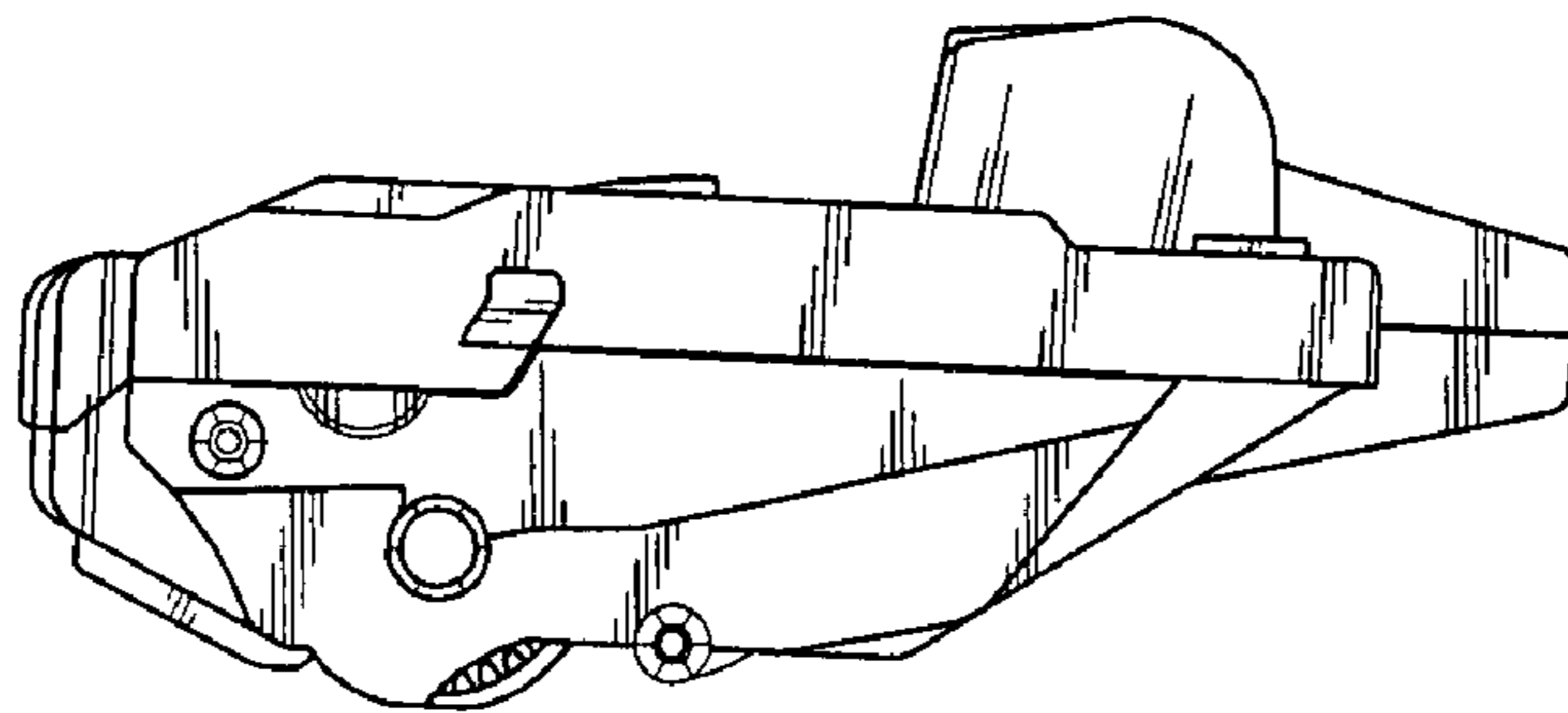


FIG. 5

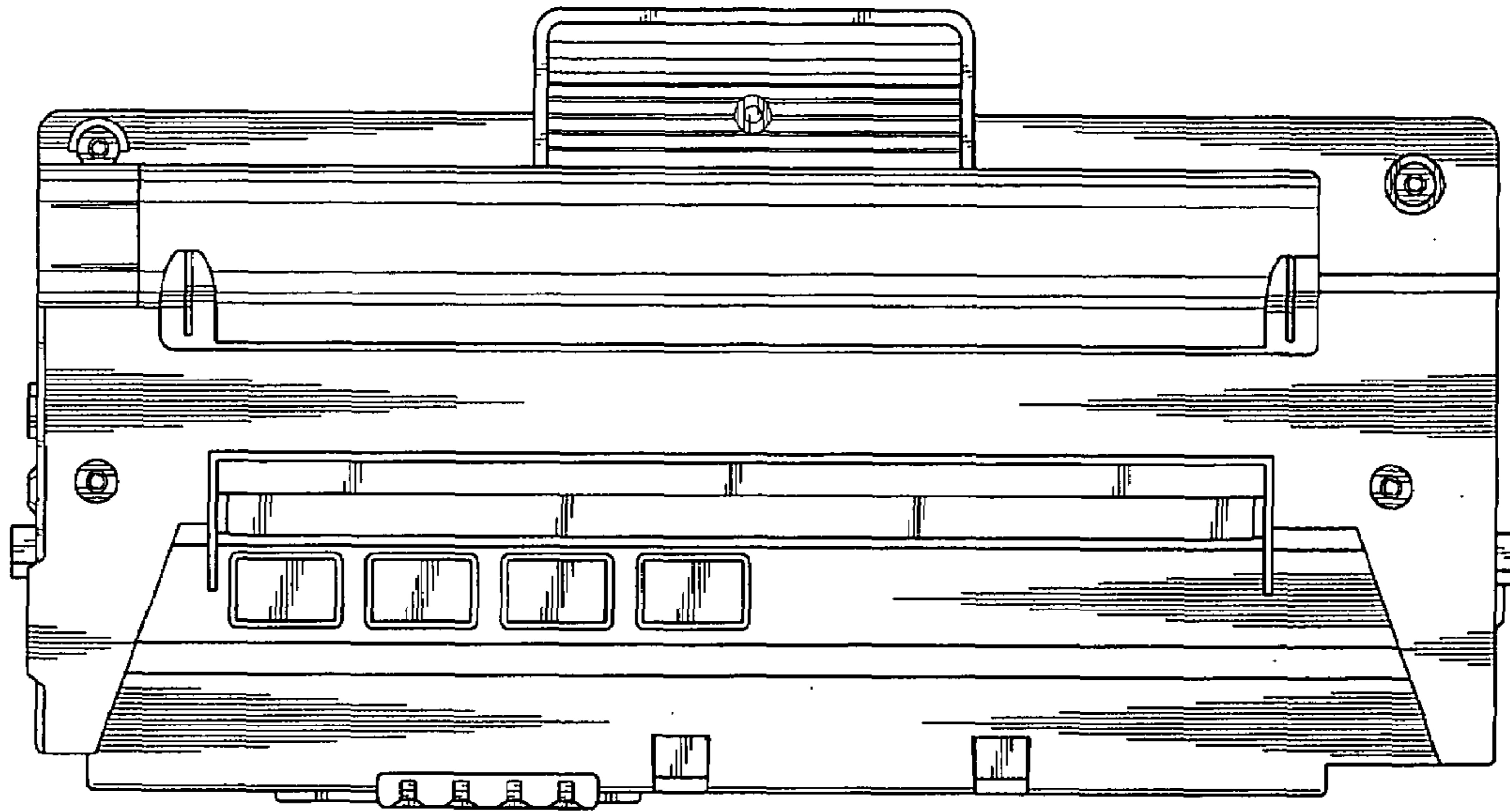


FIG. 6

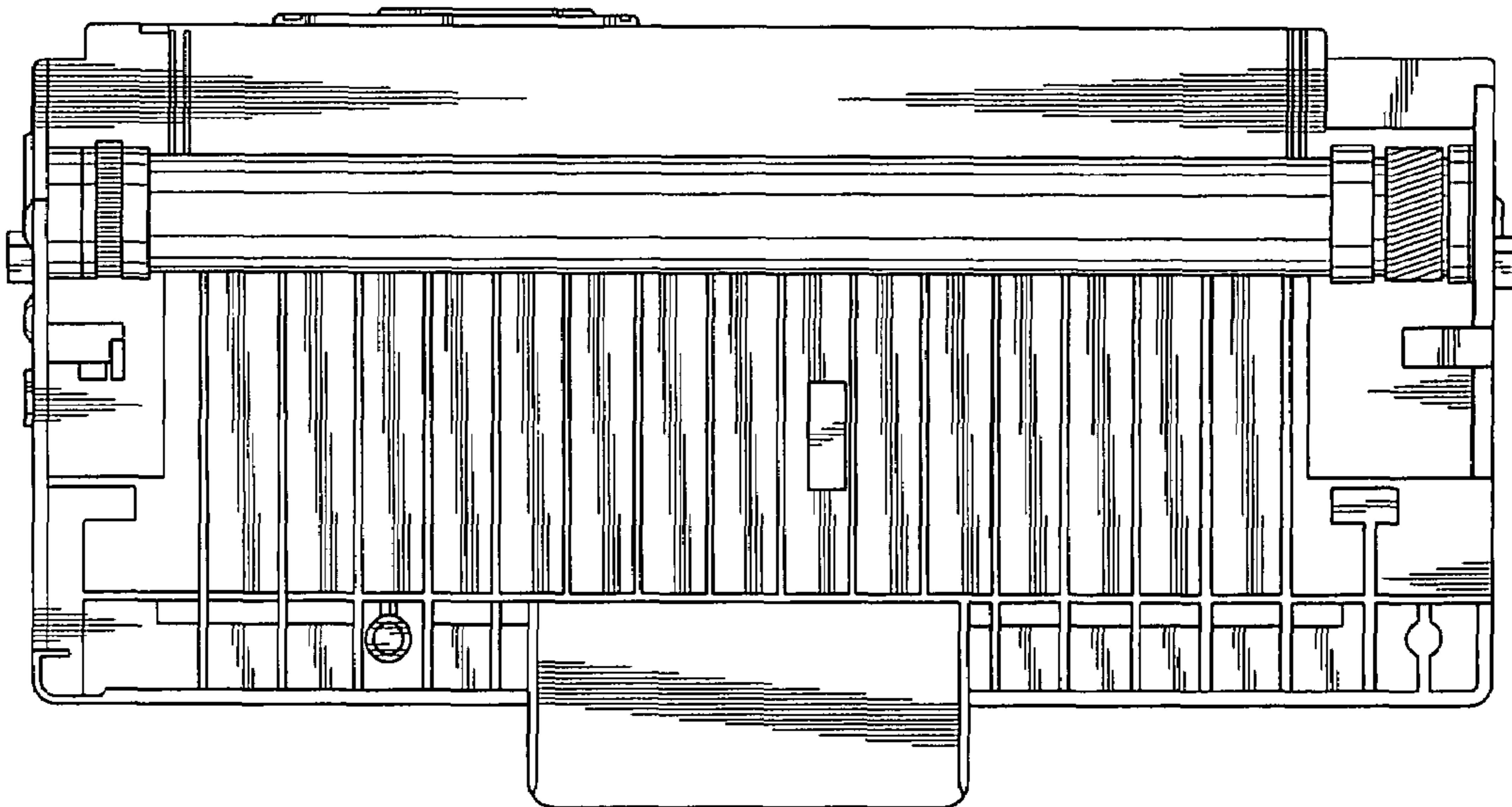


FIG. 7