



US00D555192S

(12) **United States Design Patent**  
**Egami et al.**

(10) **Patent No.:** **US D555,192 S**  
(45) **Date of Patent:** **\*\* Nov. 13, 2007**

(54) **DISPLAY PANEL FOR TAPE PRINTING MACHINE**

(75) Inventors: **Keiichiro Egami**, Nagoya (JP);  
**Yukihiko Sato**, Nagoya (JP); **Masanori Oda**, Iwakura (JP)

(73) Assignee: **Brother Industries, Ltd.**, Nagoya (JP)

(\*\*) Term: **14 Years**

(21) Appl. No.: **29/226,285**

(22) Filed: **Mar. 29, 2005**

(30) **Foreign Application Priority Data**

Sep. 30, 2004 (JP) ..... 2004-029838

(51) **LOC (8) Cl.** ..... **18-01**

(52) **U.S. Cl.** ..... **D18/12.3**

(58) **Field of Classification Search** ..... D18/12,  
D18/17-19, 36-41, 50, 53-56, 99, 12.3;  
D8/16, 18, 19, 33, 40, 88, 89; D15/147,  
D15/89, 91; 400/120.01; 38/17; D10/62,  
D10/64, 65, 71; 101/333; D14/336, 125,  
D14/126, 129, 132, 133, 389, 390

See application file for complete search history.

(56) **References Cited**

**U.S. PATENT DOCUMENTS**

D259,546 S \* 6/1981 Simon ..... D10/65  
D260,005 S \* 7/1981 Sandfield ..... D10/71  
D333,991 S \* 3/1993 Lee ..... D10/62  
D382,581 S \* 8/1997 Yasoshima ..... D18/17  
D398,251 S \* 9/1998 Martinez ..... D10/64

D420,265 S \* 2/2000 Pierce ..... D8/40  
D437,753 S \* 2/2001 Hastings et al. .... D8/18  
D480,753 S \* 10/2003 Oleson ..... D18/56  
6,925,933 B1 \* 8/2005 Shih ..... 101/333  
D525,652 S \* 7/2006 Hegge ..... D18/56

\* cited by examiner

*Primary Examiner*—Ian Simmons

*Assistant Examiner*—Charles D Hanson

(74) *Attorney, Agent, or Firm*—Oliff & Berridge, PLC

(57) **CLAIM**

The ornamental design for display panel for tape printing machine, as shown and described.

**DESCRIPTION**

FIG. 1 is a perspective view of a display panel for tape printing machine;

FIG. 2 is a front view thereof;

FIG. 3 is a top view thereof;

FIG. 4 is a right-side view thereof;

FIG. 5 is a left-side view thereof;

FIG. 6 is a rear view thereof;

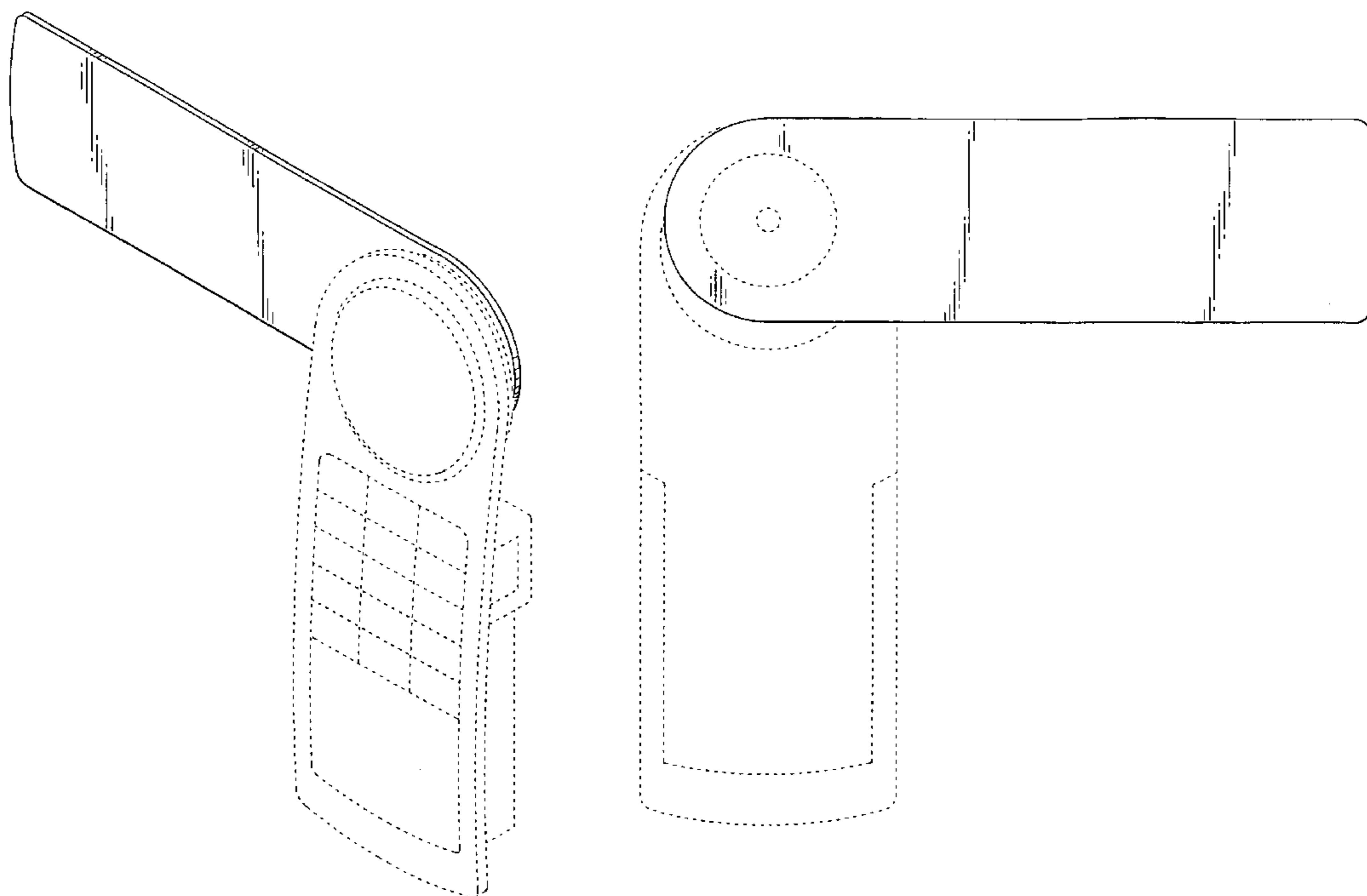
FIG. 7 is a bottom view thereof;

FIG. 8 is a reduced scale front view thereof similar to FIG. 2 wherein a display panel is in a rotated position; and,

FIG. 9 is a reduced scale rear view thereof similar to FIG. 6 wherein the display panel is in another rotated position.

The broken lines are for illustrative purposes only and form no part of the claimed design.

**1 Claim, 5 Drawing Sheets**



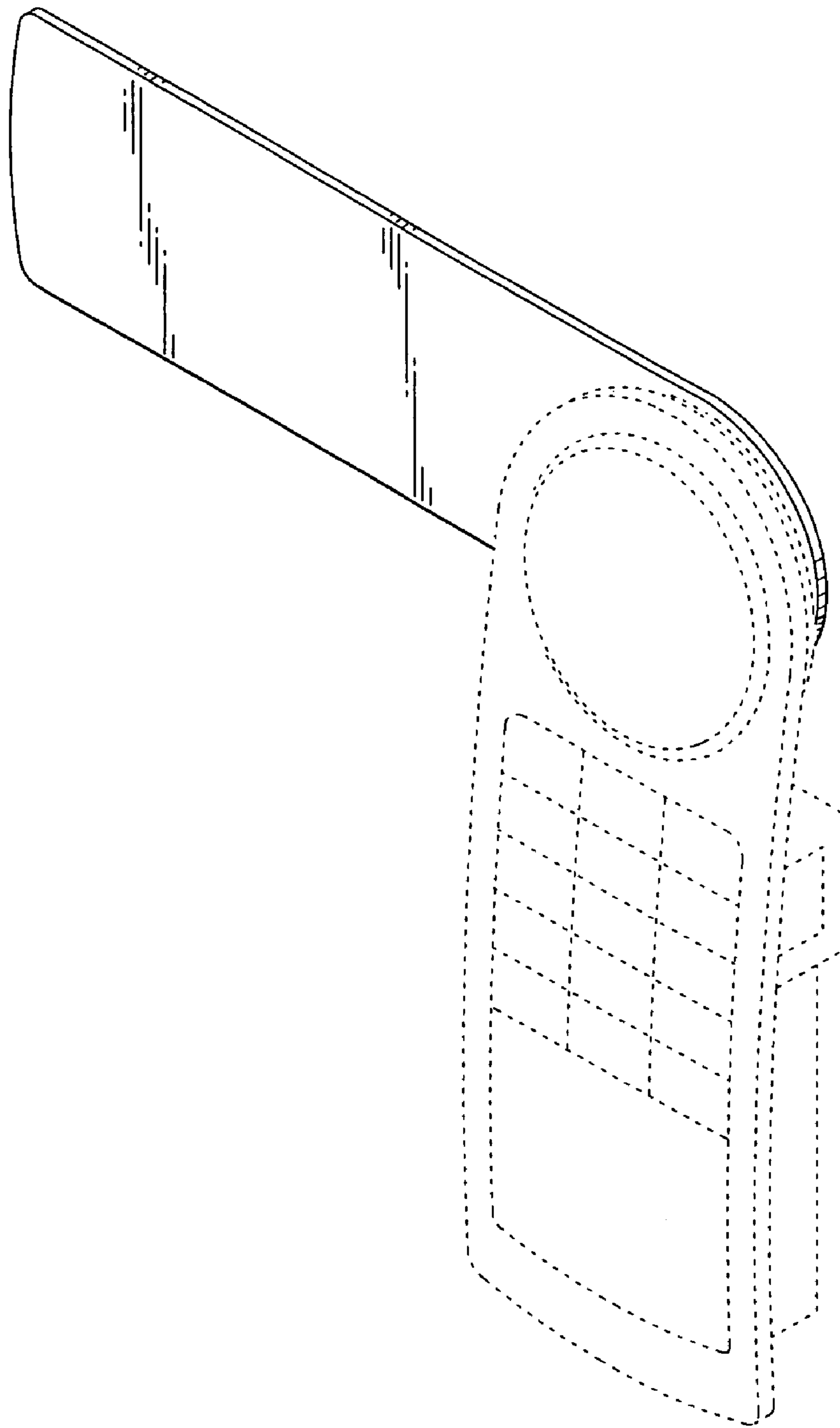


FIG. 1

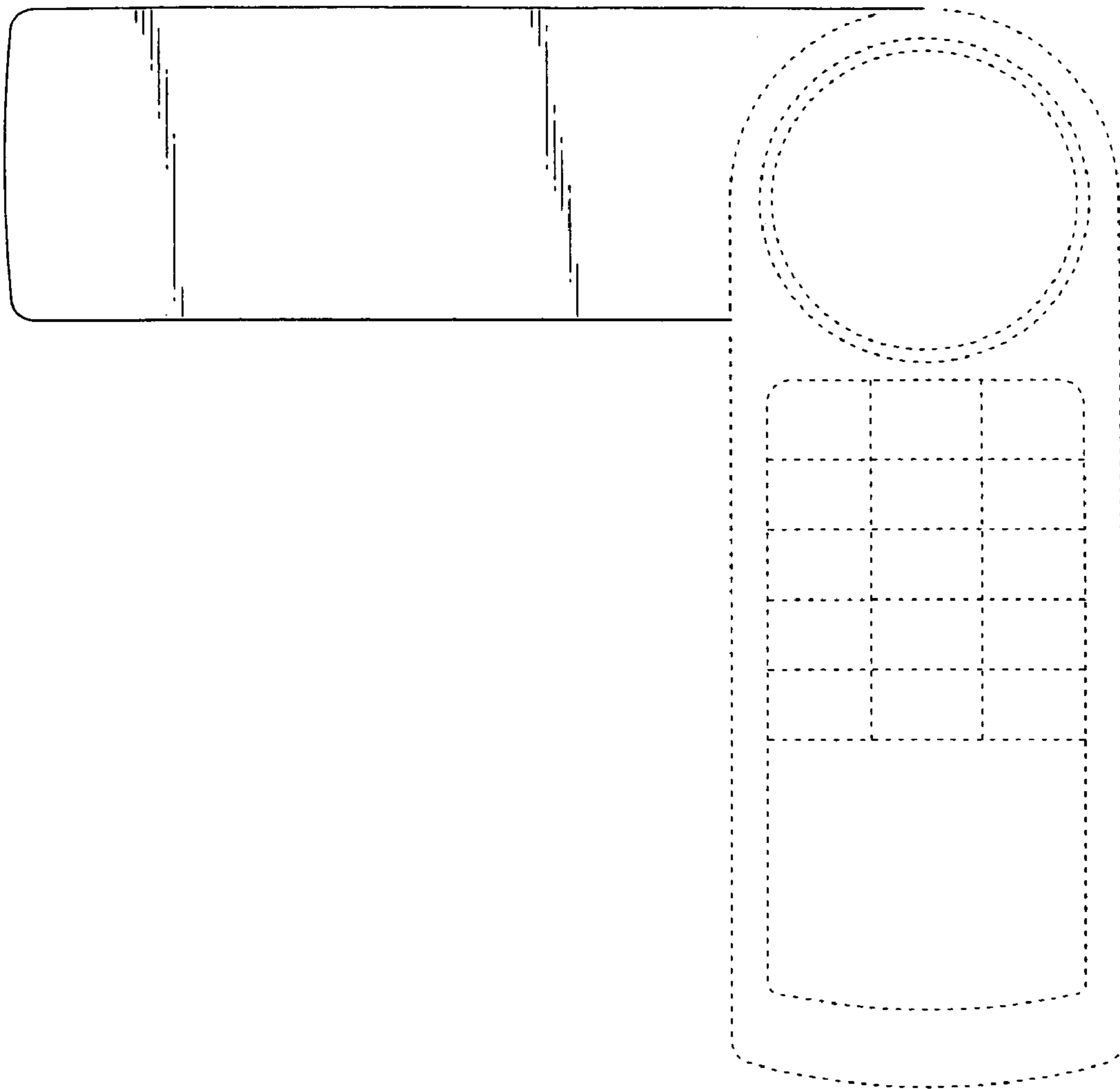


FIG. 2

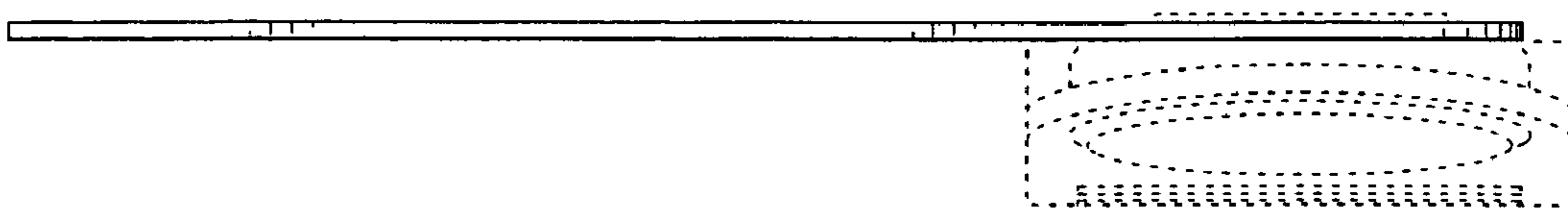


FIG. 3

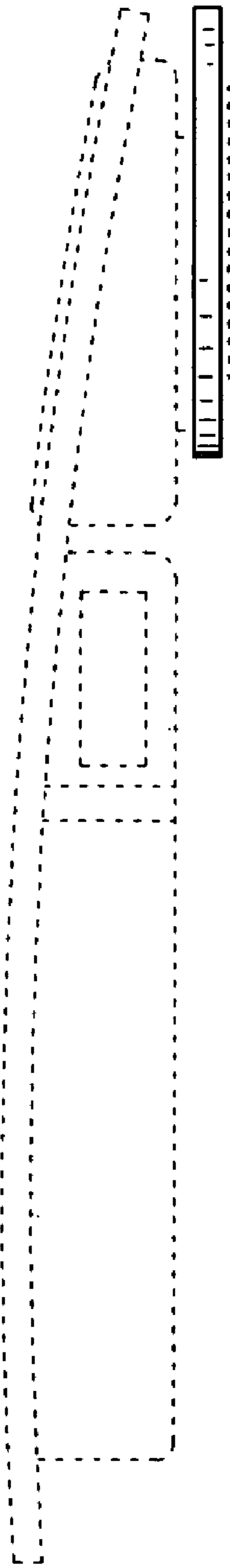


FIG. 4

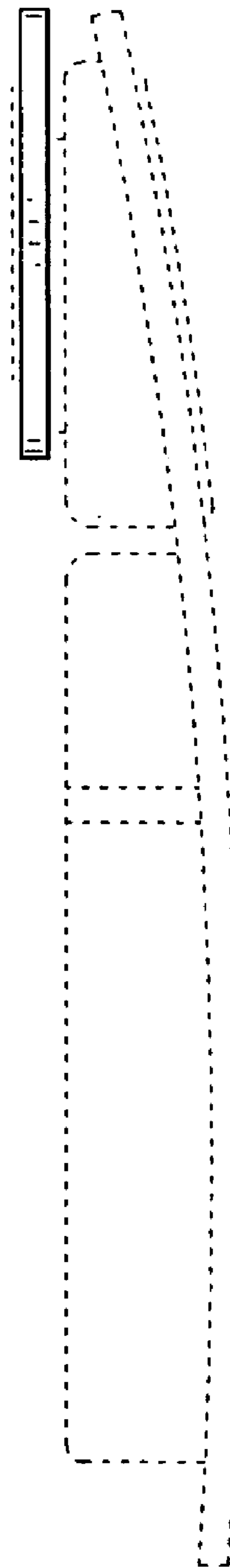


FIG. 5

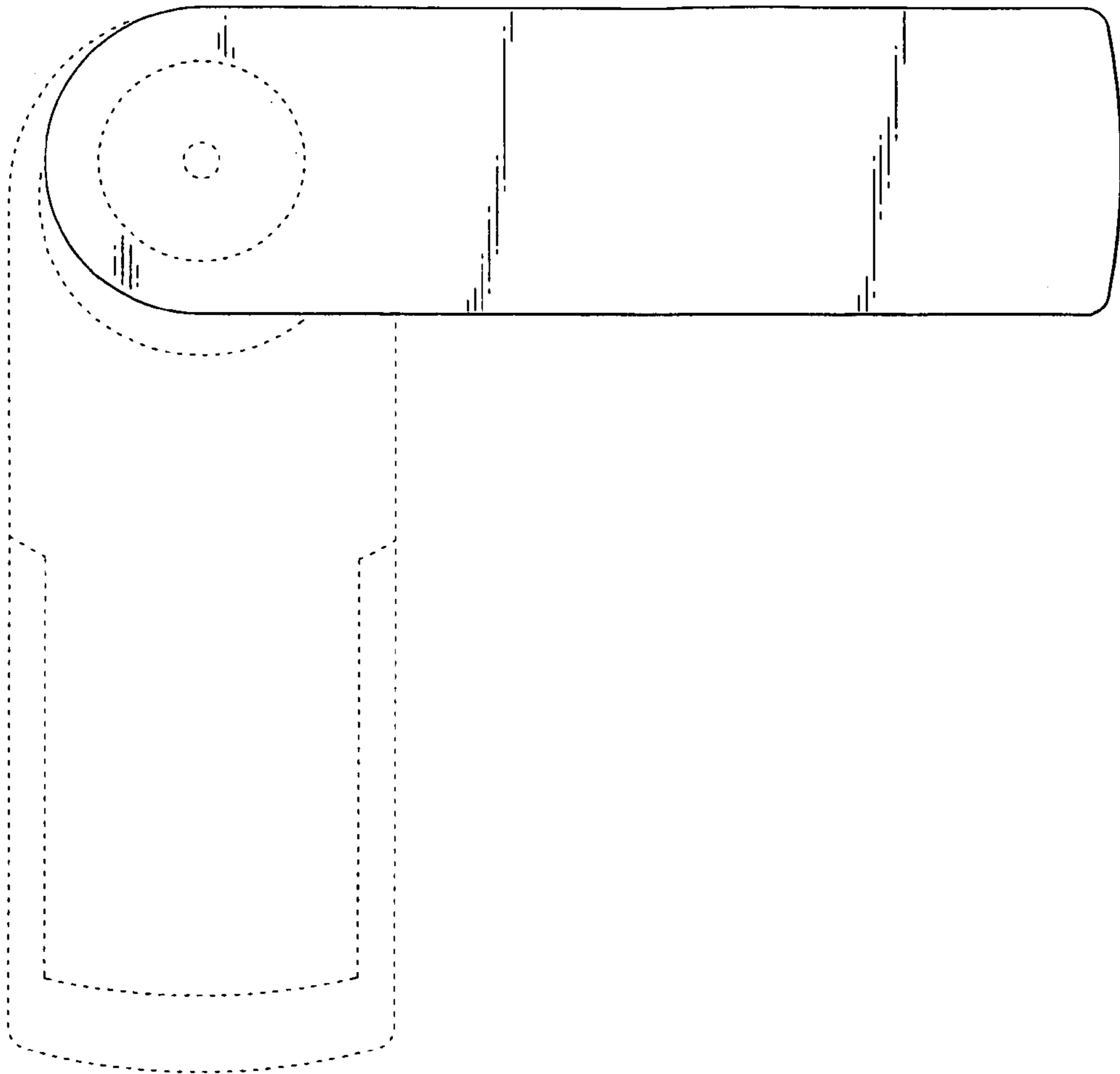


FIG. 6

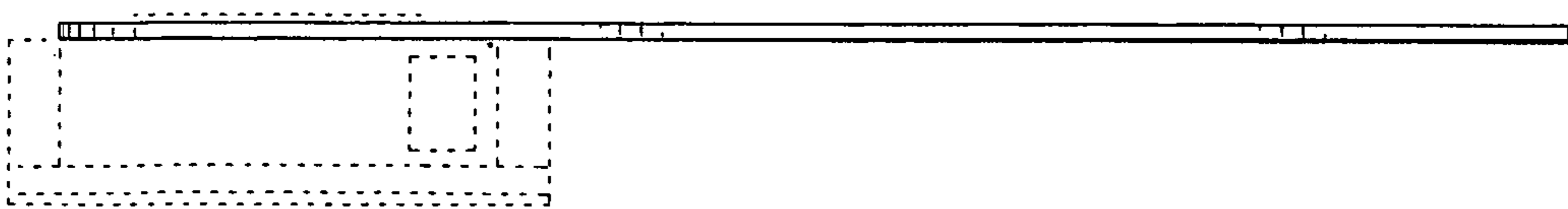


FIG. 7

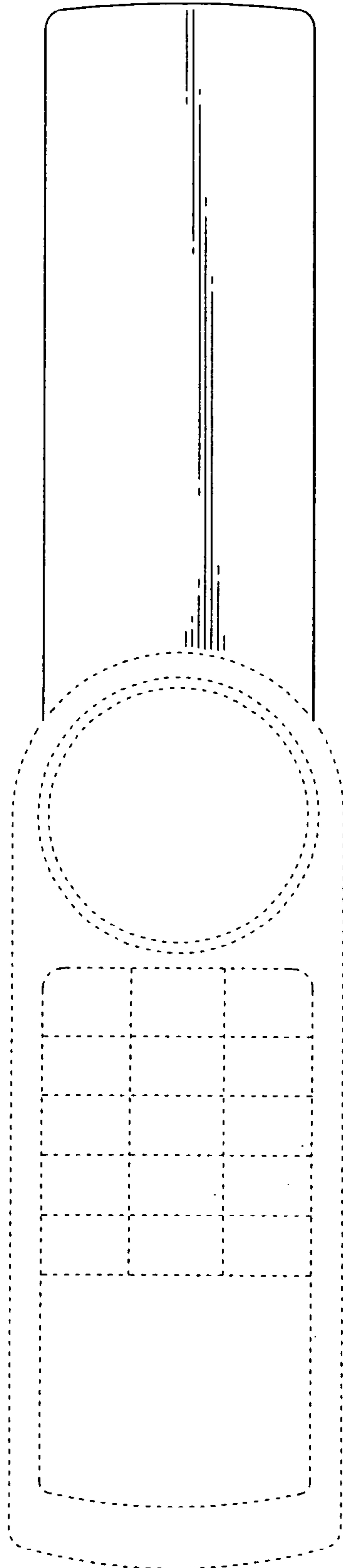


FIG. 8

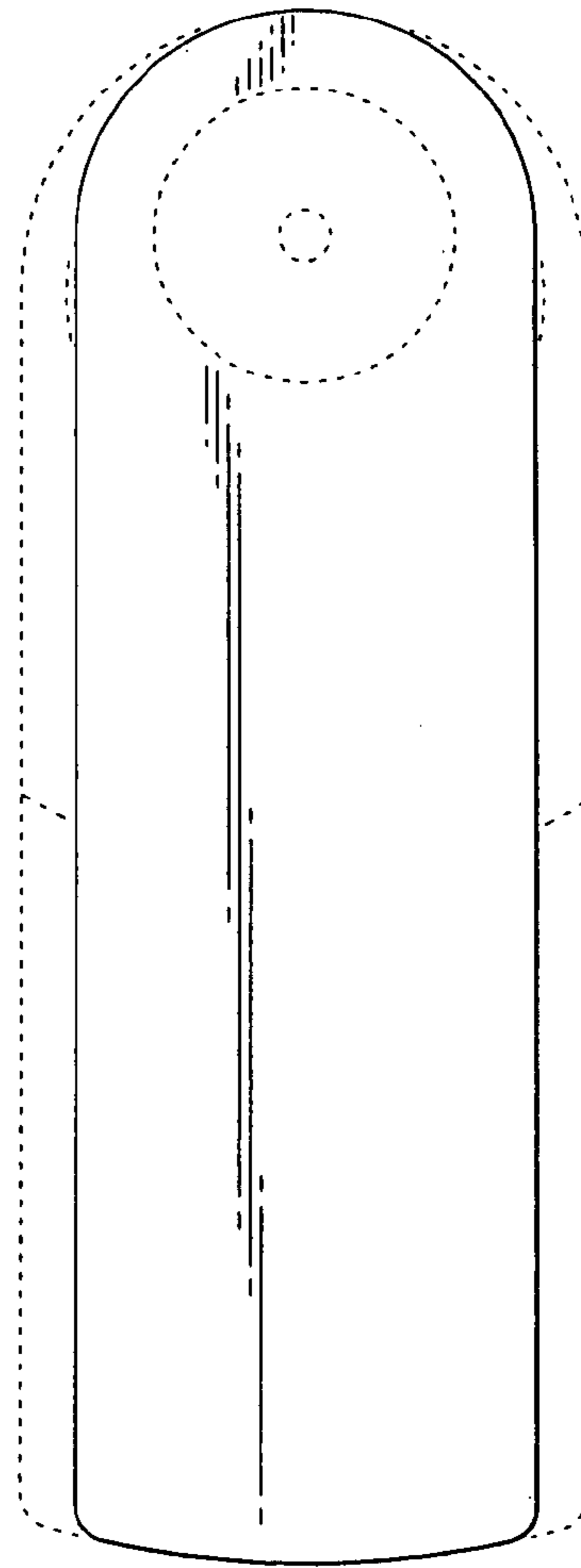


FIG. 9