



US00D555190S

(12) **United States Design Patent**
Saito et al.

(10) **Patent No.:** **US D555,190 S**
(45) **Date of Patent:** **** Nov. 13, 2007**

(54) **ELECTRONIC PIANO**

D510,592 S 10/2005 Katsumata

(75) Inventors: **Daisuke Saito**, Hamamatsu (JP); **David Keech**, Hitchin (GB)

FOREIGN PATENT DOCUMENTS

(73) Assignee: **Yamaha Corporation**, Shizuoka (JP)

JP 09114463 A * 5/1997
JP 11296163 A * 10/1999
JP 2005338284 A * 12/2005

(**) Term: **14 Years**

* cited by examiner

(21) Appl. No.: **29/256,149**

Primary Examiner—Ian Simmons

Assistant Examiner—R. Johnson

(22) Filed: **Mar. 17, 2006**

(74) *Attorney, Agent, or Firm*—Sughrue Mion, PLLC

(30) **Foreign Application Priority Data**

(57) **CLAIM**

Dec. 6, 2005 (JP) 2005-035949

The ornamental design for an electronic piano, as shown and described.

(51) **LOC (8) Cl.** **17-01**

(52) **U.S. Cl.** **D17/7**

(58) **Field of Classification Search** D17/1,
D17/2, 7, 9; 84/13, 17, 172, 174, 176, 423 R,
84/719, 720, 743–745

See application file for complete search history.

DESCRIPTION

FIG. 1 is a perspective view of the top, front and right side of an electronic piano showing our new design;

FIG. 2 is a front elevational view thereof;

FIG. 3 is a top plan view thereof;

FIG. 4 is a left side elevational view thereof;

FIG. 5 is a right side elevational view thereof;

FIG. 6 is a rear elevational view thereof;

FIG. 7 is a bottom plan view thereof; and,

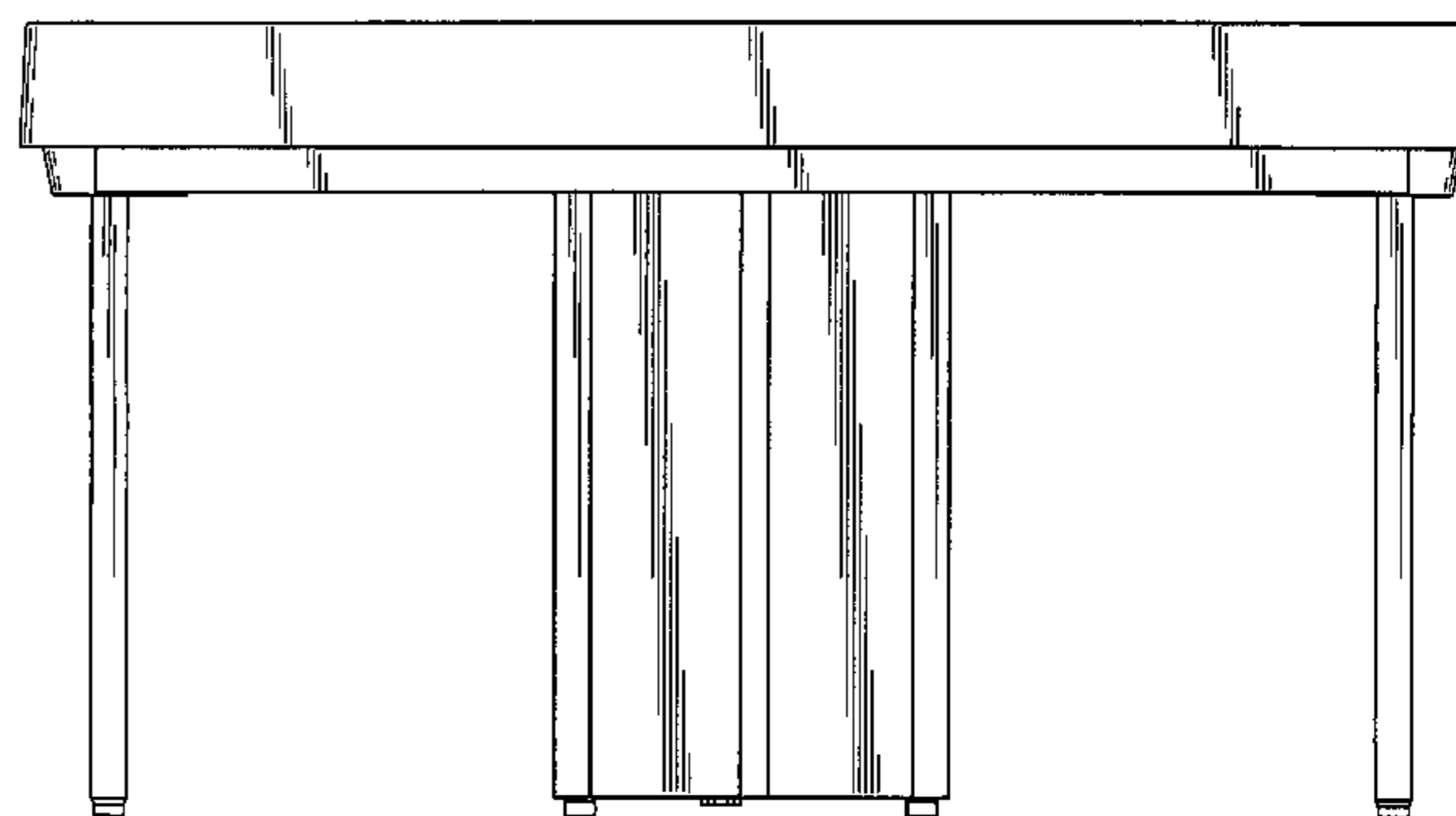
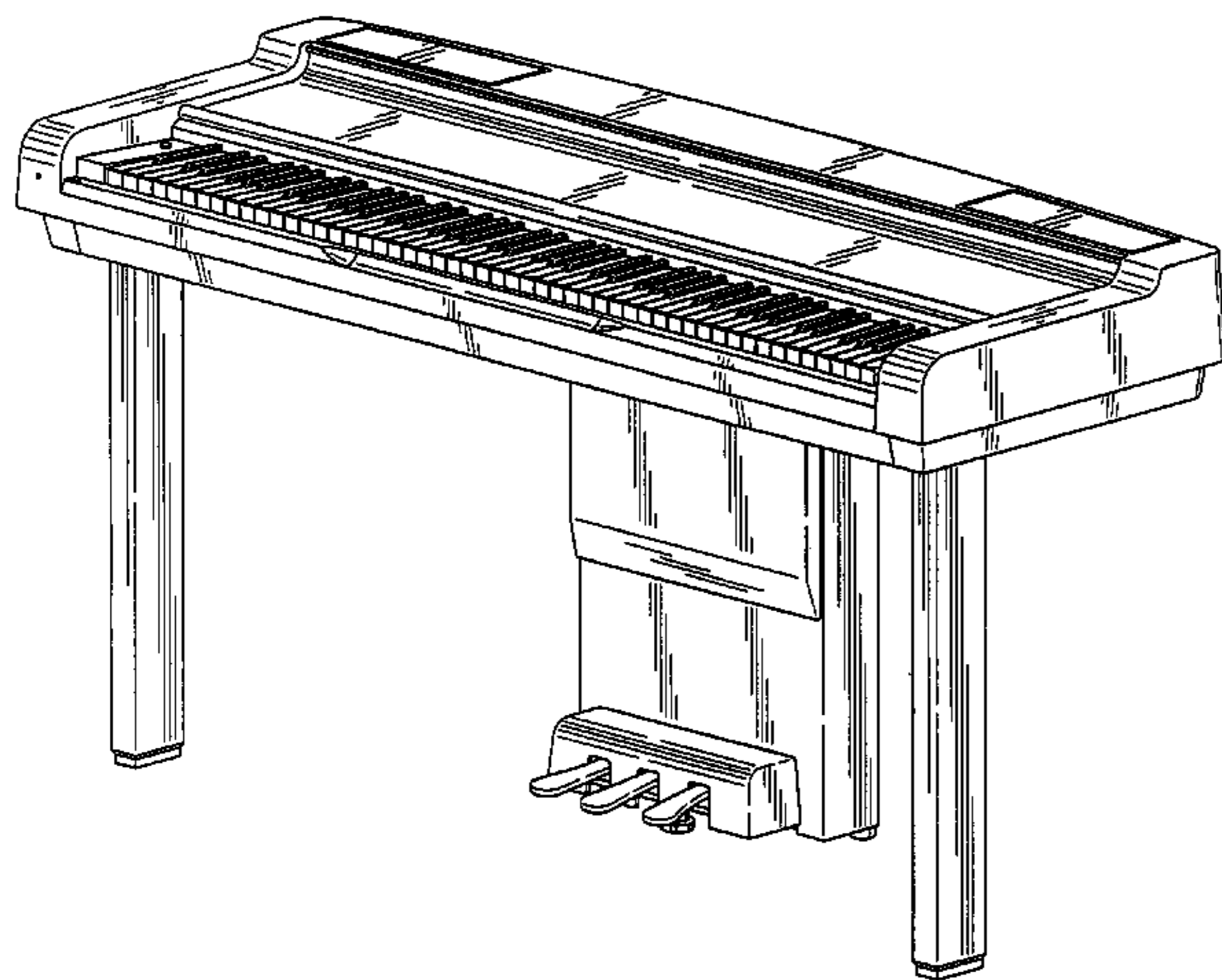
FIG. 8 is a perspective view thereof showing the keyboard cover closed.

(56) **References Cited**

U.S. PATENT DOCUMENTS

494,163 A * 3/1893 Reimer 84/176
D308,215 S * 5/1990 Katsuhara D17/7
D320,404 S * 10/1991 Yamawaki et al. D17/7
D322,086 S * 12/1991 Yamawaki et al. D17/7
D345,372 S * 3/1994 Ida D17/7
D369,378 S * 4/1996 Okamura D17/7
D499,443 S * 12/2004 Ohno D17/7
D499,755 S * 12/2004 Ohno D17/7

1 Claim, 7 Drawing Sheets



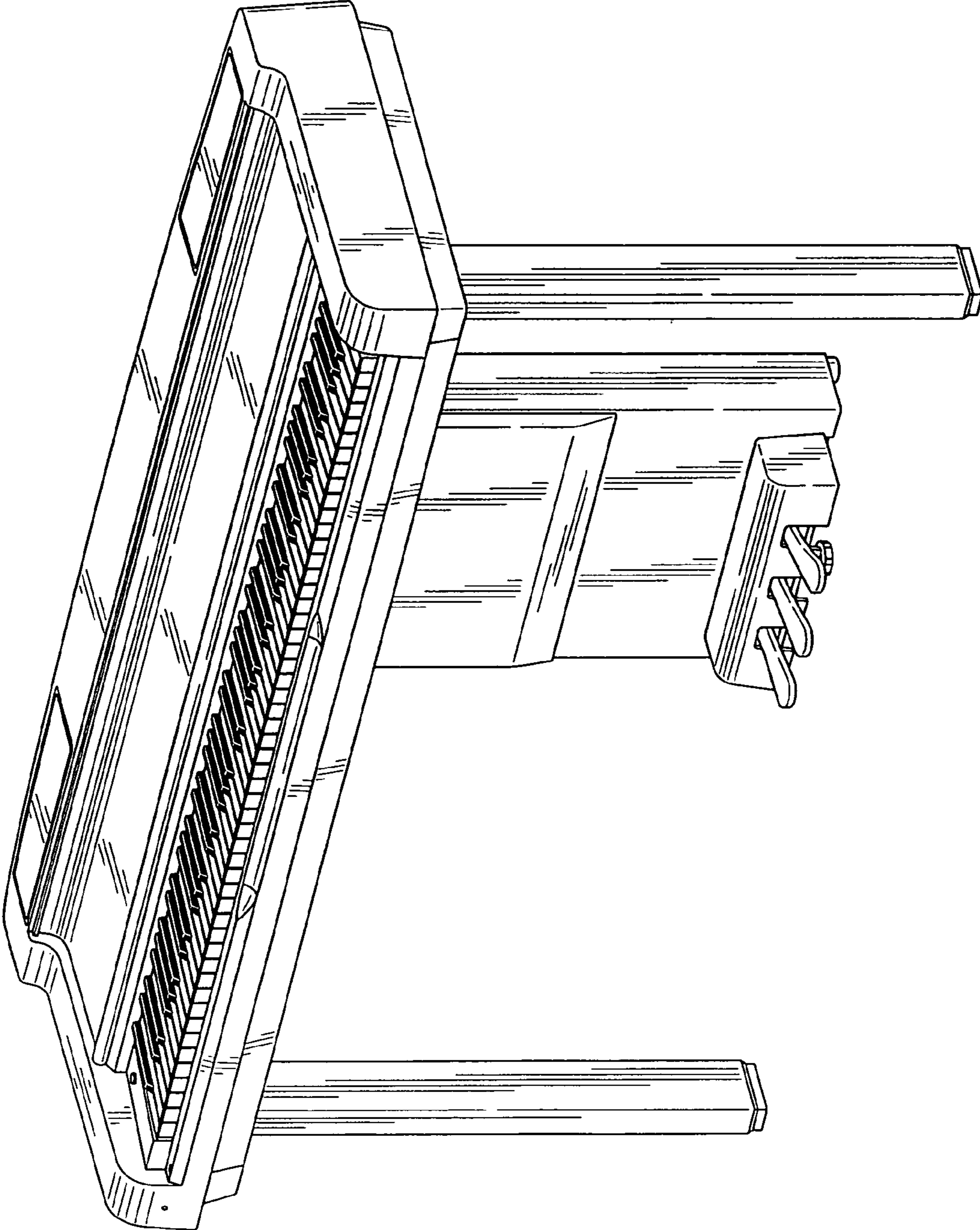


FIG. 1

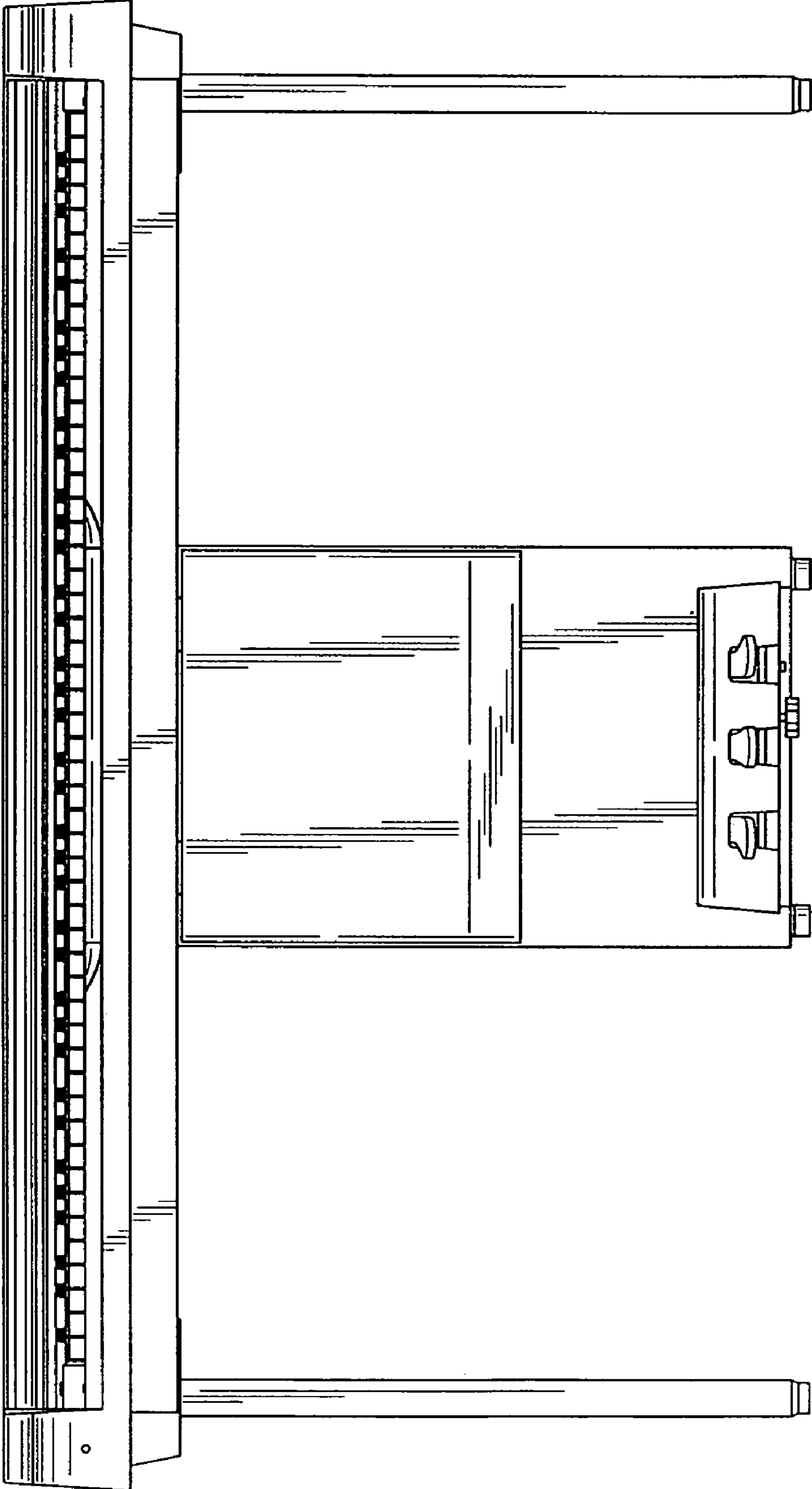


FIG. 2

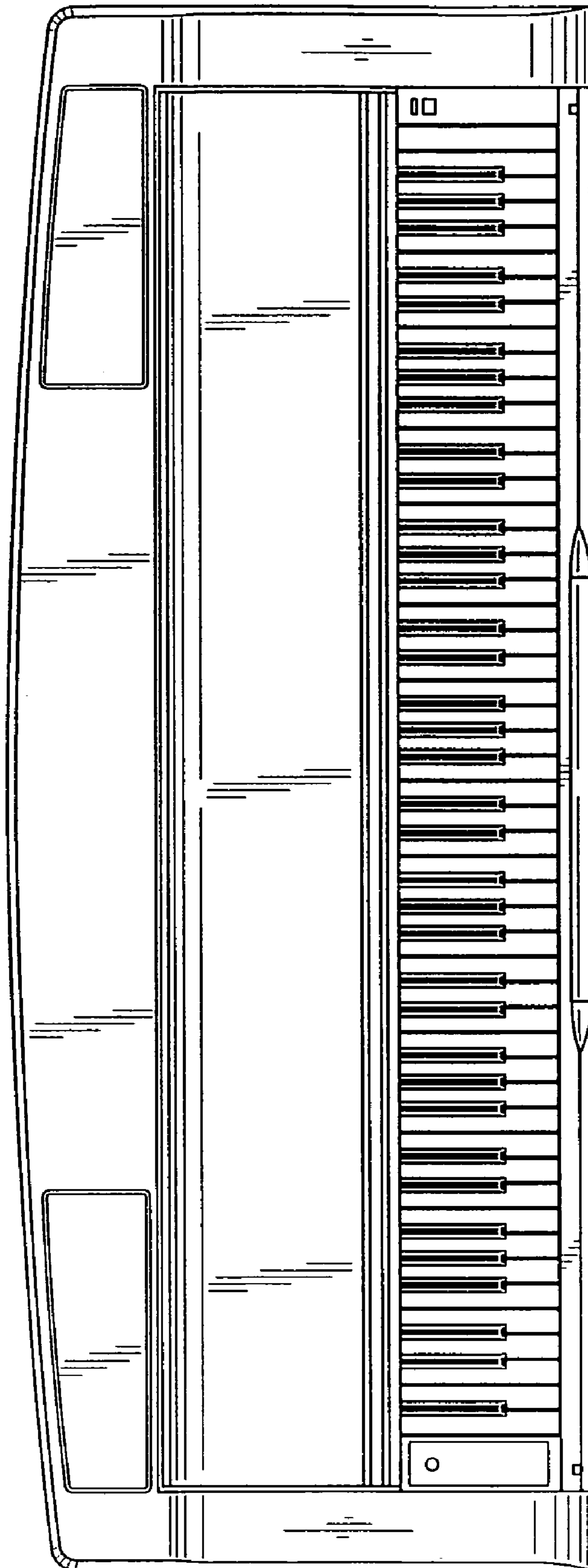


FIG. 3

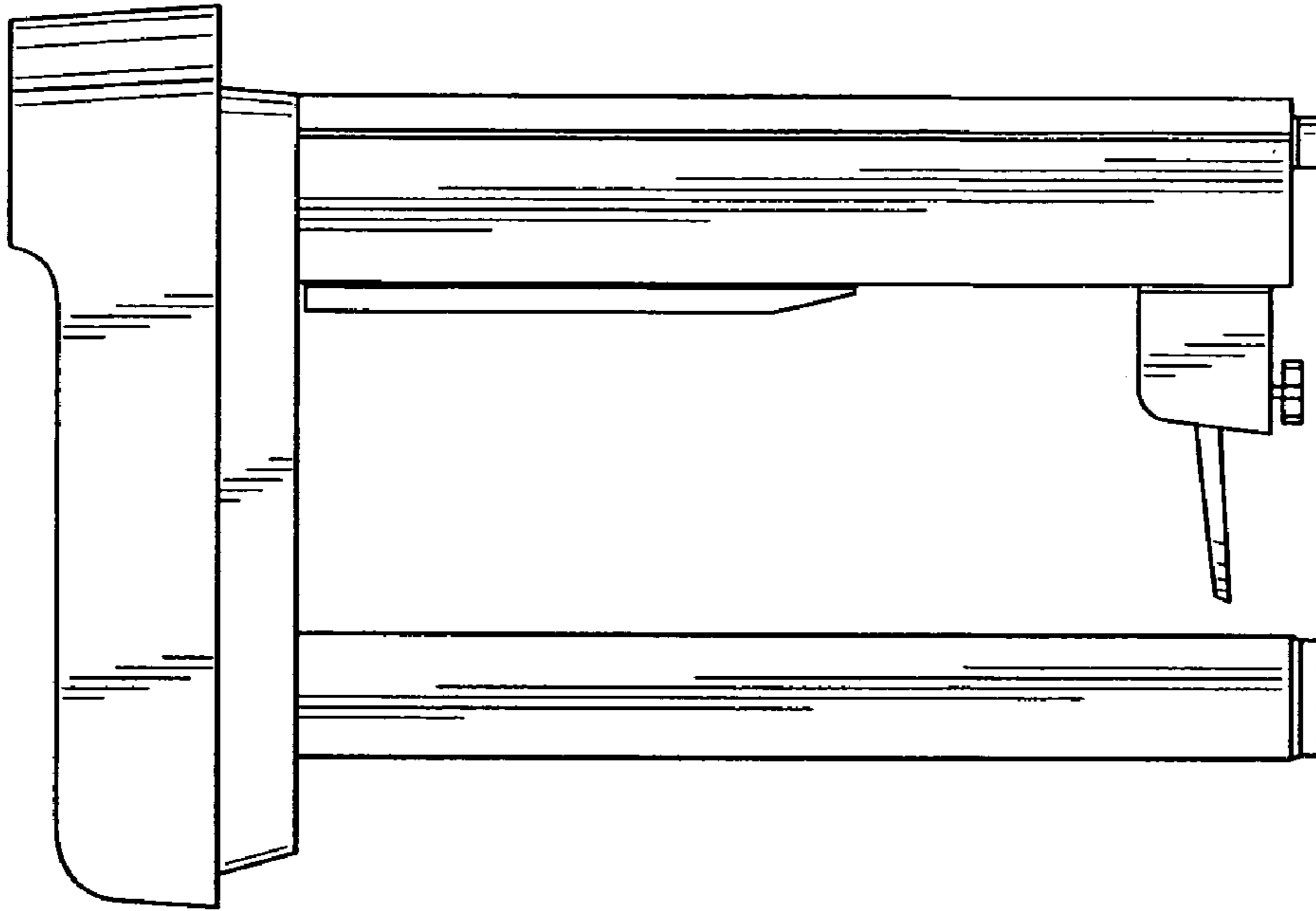


FIG. 5

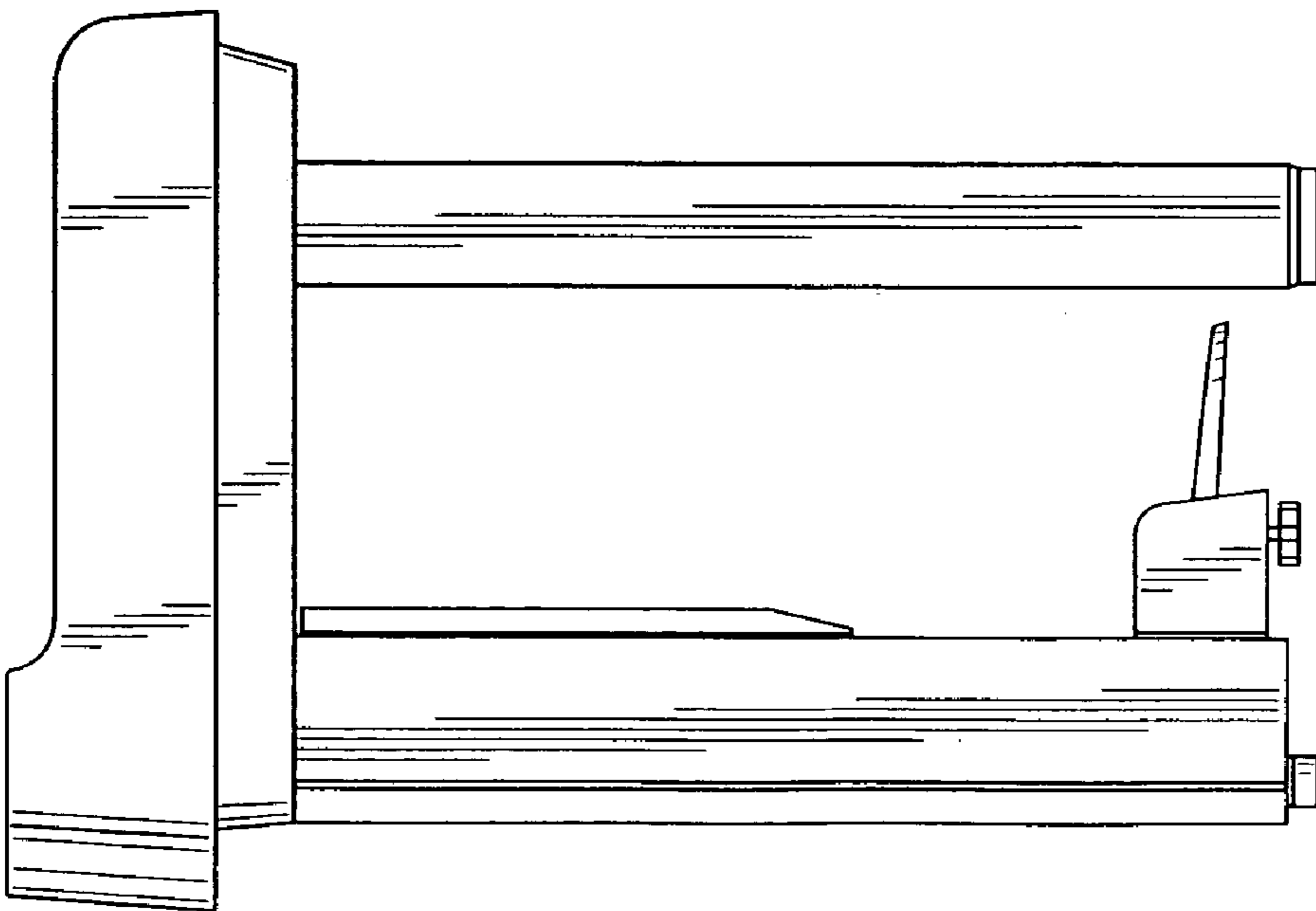


FIG. 4

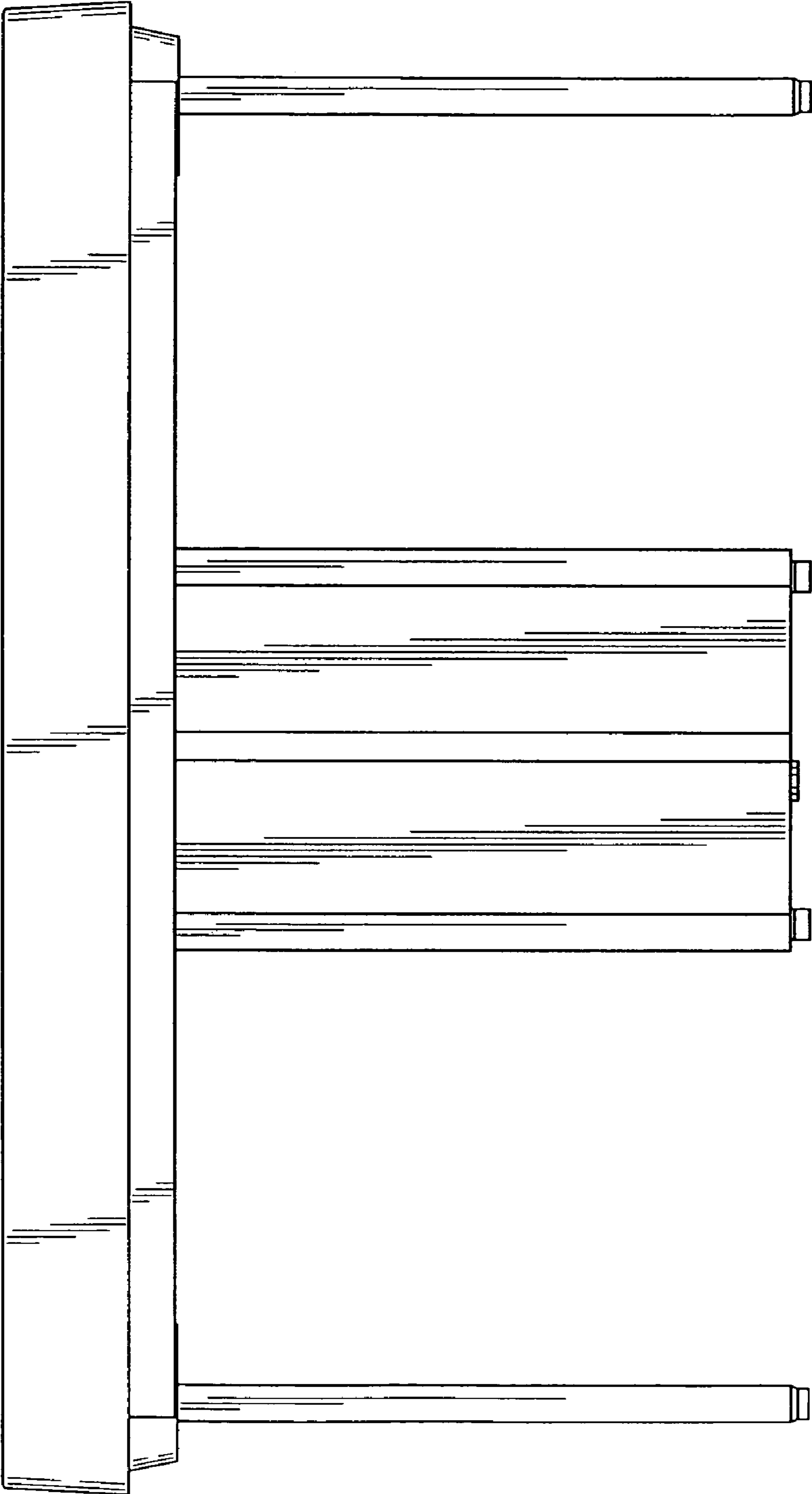


FIG. 6

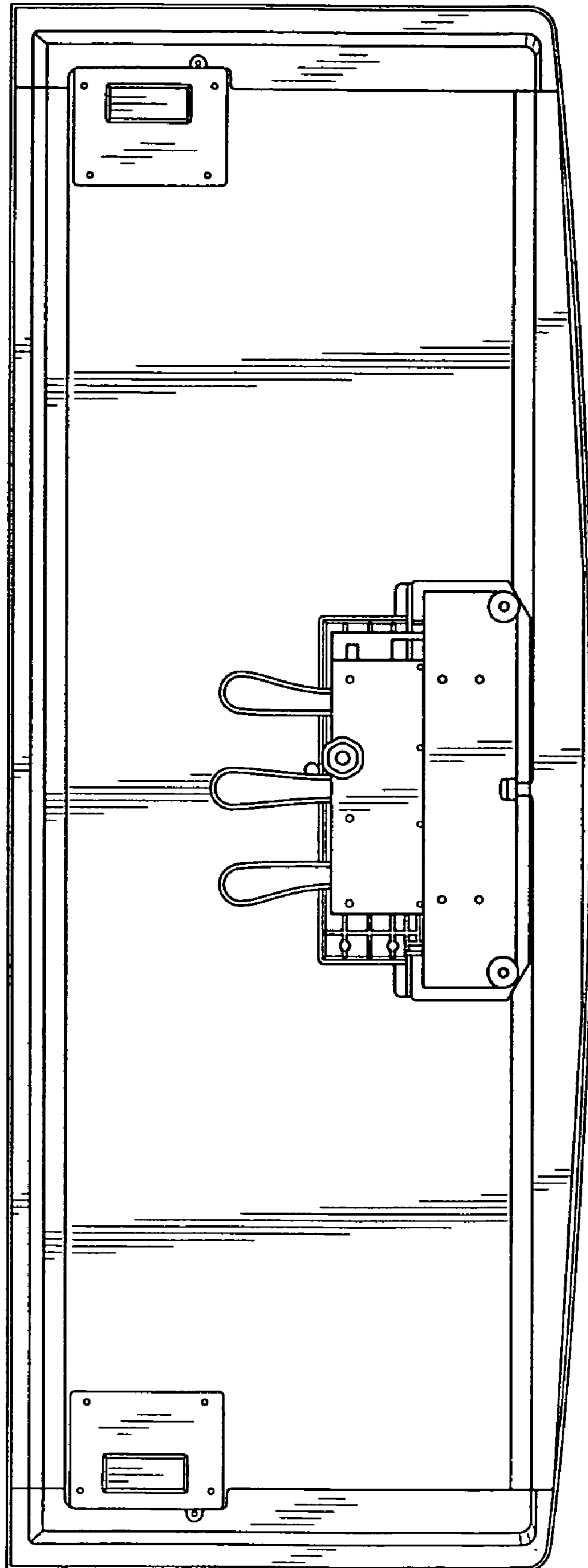


FIG. 7

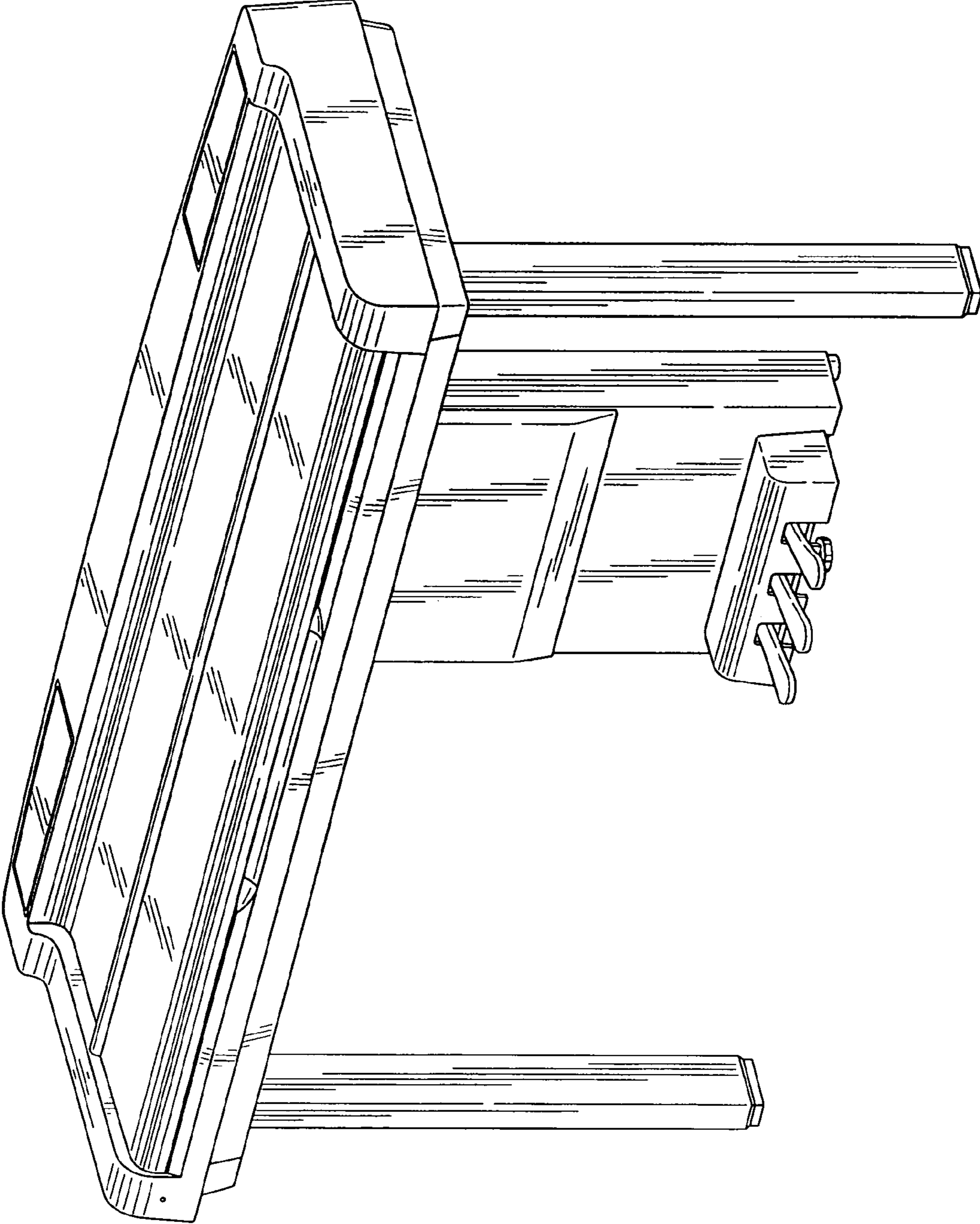


FIG. 8