



US00D555185S

(12) **United States Design Patent**
Nozue et al.

(10) **Patent No.:** **US D555,185 S**

(45) **Date of Patent:** **** Nov. 13, 2007**

(54) **VIDEO PROJECTOR**

(75) Inventors: **Sho Nozue**, Musashino (JP); **Minoru Ikeda**, Inagi (JP); **Masayuki Ohki**, Kokubunji (JP); **Takeshi Saito**, Yokohama (JP); **Kazumasa Ueoka**, Yokohama (JP)

(73) Assignee: **Hitachi, Ltd.**, Tokyo (JP)

(**) Term: **14 Years**

(21) Appl. No.: **29/266,559**

(22) Filed: **Sep. 25, 2006**

(30) **Foreign Application Priority Data**

Jun. 20, 2006 (JP) 2006-015866

(51) **LOC (8) Cl.** **16-02**

(52) **U.S. Cl.** **D16/230; D16/225**

(58) **Field of Classification Search** D16/205, D16/208, 213, 221, 225, 229, 230, 231, 234, D16/235; D21/514; 352/34, 242; 353/115, 353/119, 122; 349/5-9, 58

See application file for complete search history.

(56) **References Cited**

U.S. PATENT DOCUMENTS

- D389,850 S * 1/1998 Frank D16/225
- D420,376 S * 2/2000 Iwabuchi et al. D16/231
- D450,076 S * 11/2001 Fujimaki D16/230

- D474,799 S * 5/2003 Kawasaki et al. D16/230
- D479,261 S * 9/2003 Kawasaki et al. D16/230
- D517,108 S * 3/2006 Chang et al. D16/230
- D522,561 S * 6/2006 Ikeuchi et al. D16/230
- 2003/0174288 A1 * 9/2003 Nakano 353/119

* cited by examiner

Primary Examiner—Ian Simmons

Assistant Examiner—Wan Laymon

(74) *Attorney, Agent, or Firm*—Antonelli, Terry, Stout & Kraus, LLP.

(57) **CLAIM**

The ornamental design for a video projector, as shown and described.

DESCRIPTION

FIG. 1 is a front, top and right side perspective view of a video projector showing our new design;

FIG. 2 is a front elevational view thereof;

FIG. 3 is a rear elevational view thereof;

FIG. 4 is a right side elevational view thereof;

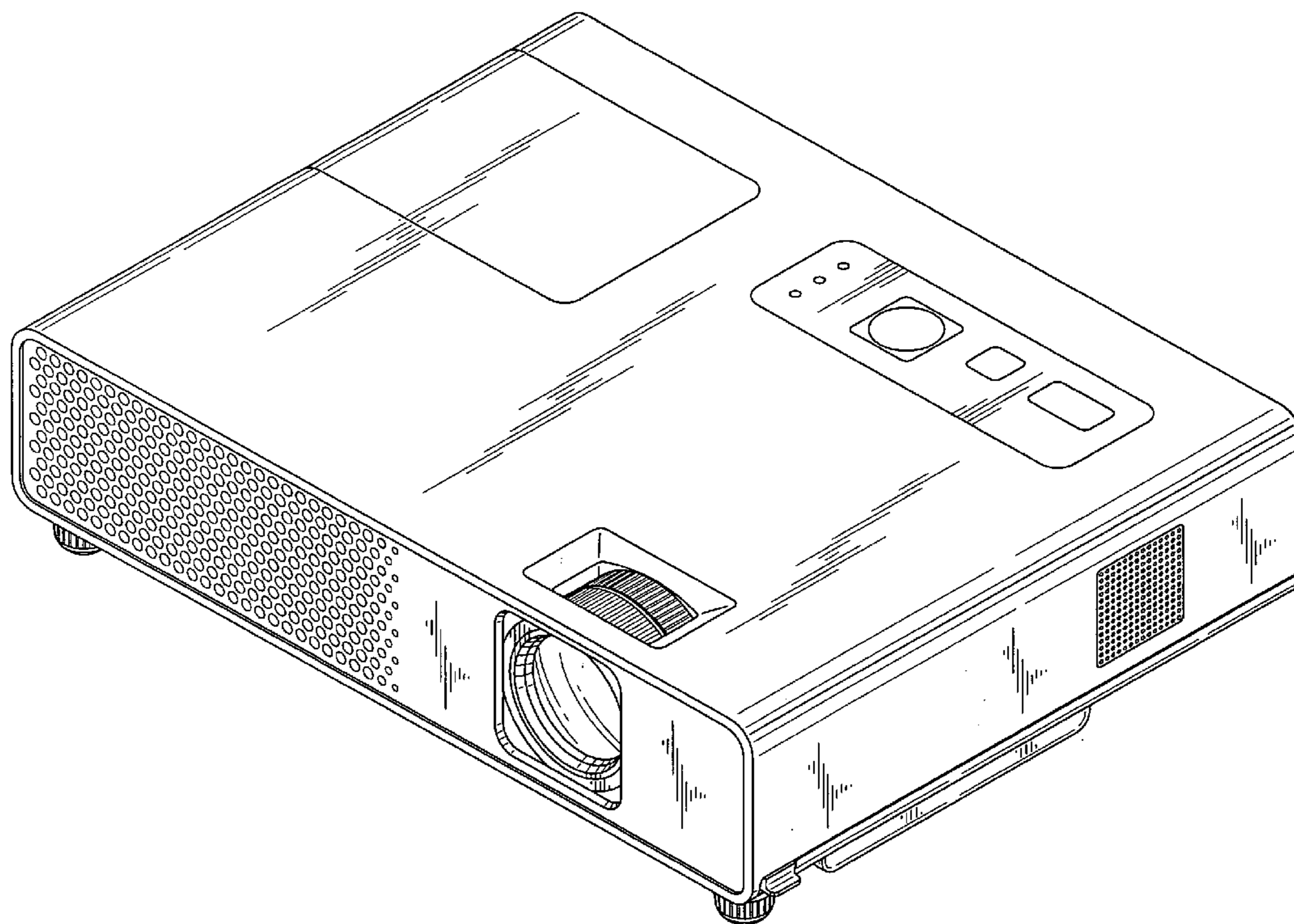
FIG. 5 is a left side elevational view thereof;

FIG. 6 is a top plan view thereof; and,

FIG. 7 is a bottom plan view thereof.

The broken line in FIG. 7 is for illustrative purposes only and forms no part of the claimed design.

1 Claim, 5 Drawing Sheets



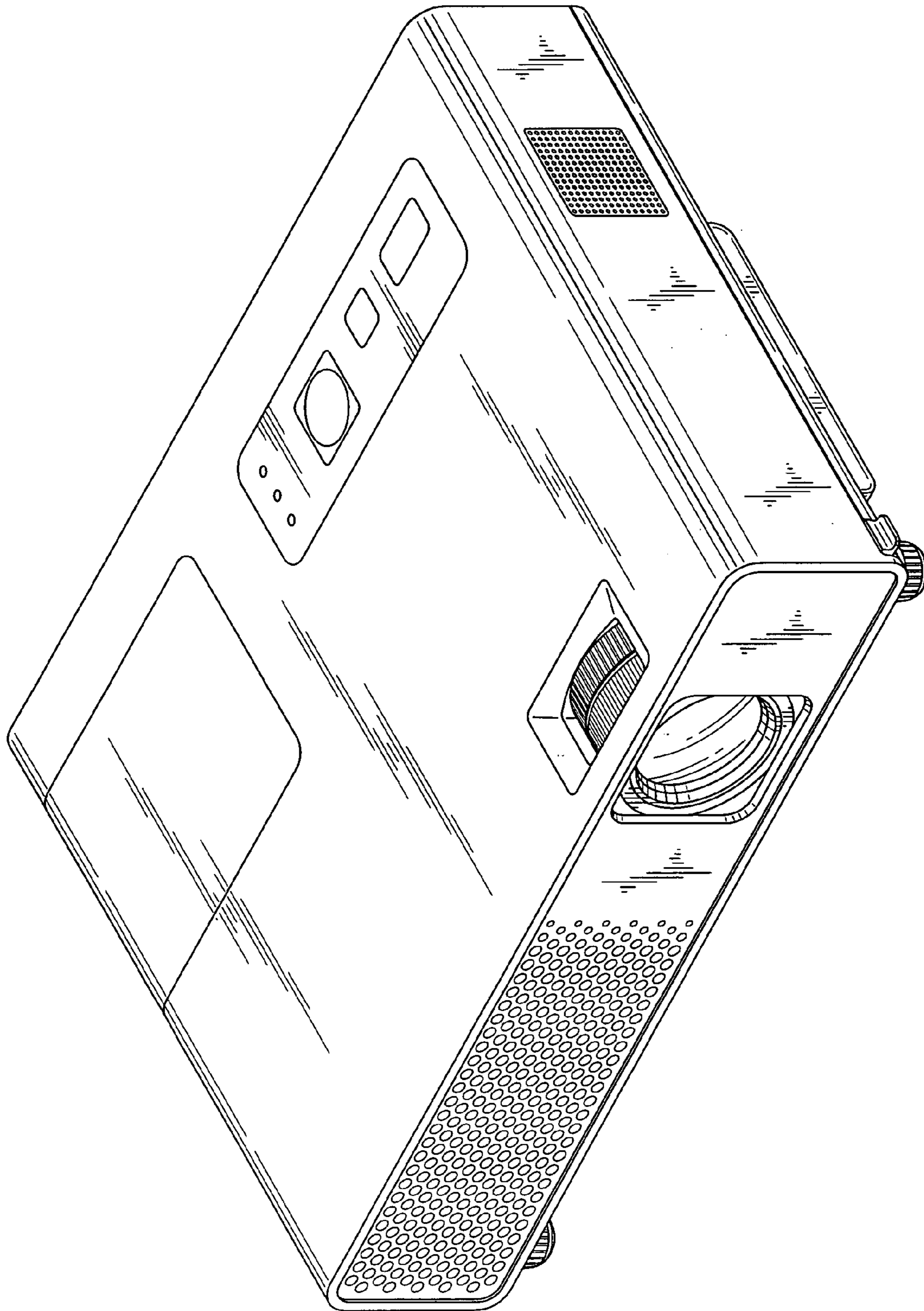


FIG. 1

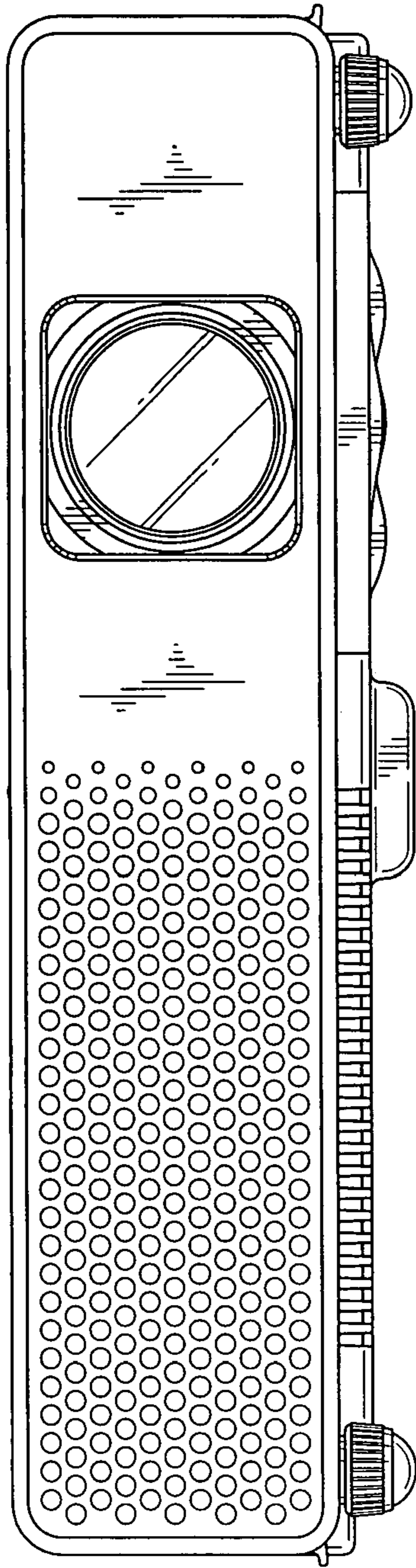


FIG. 2

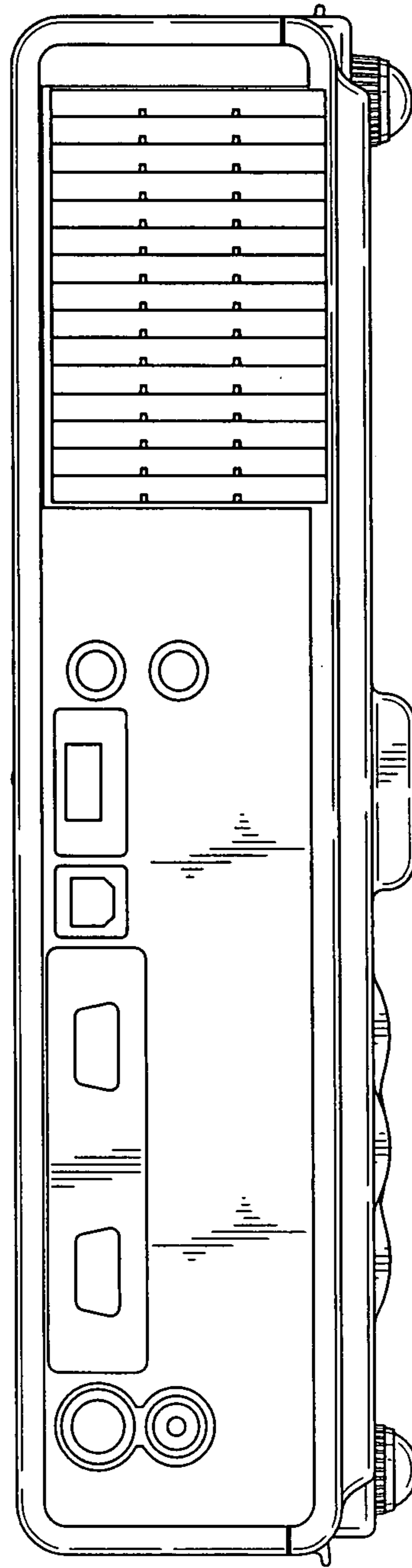


FIG. 3

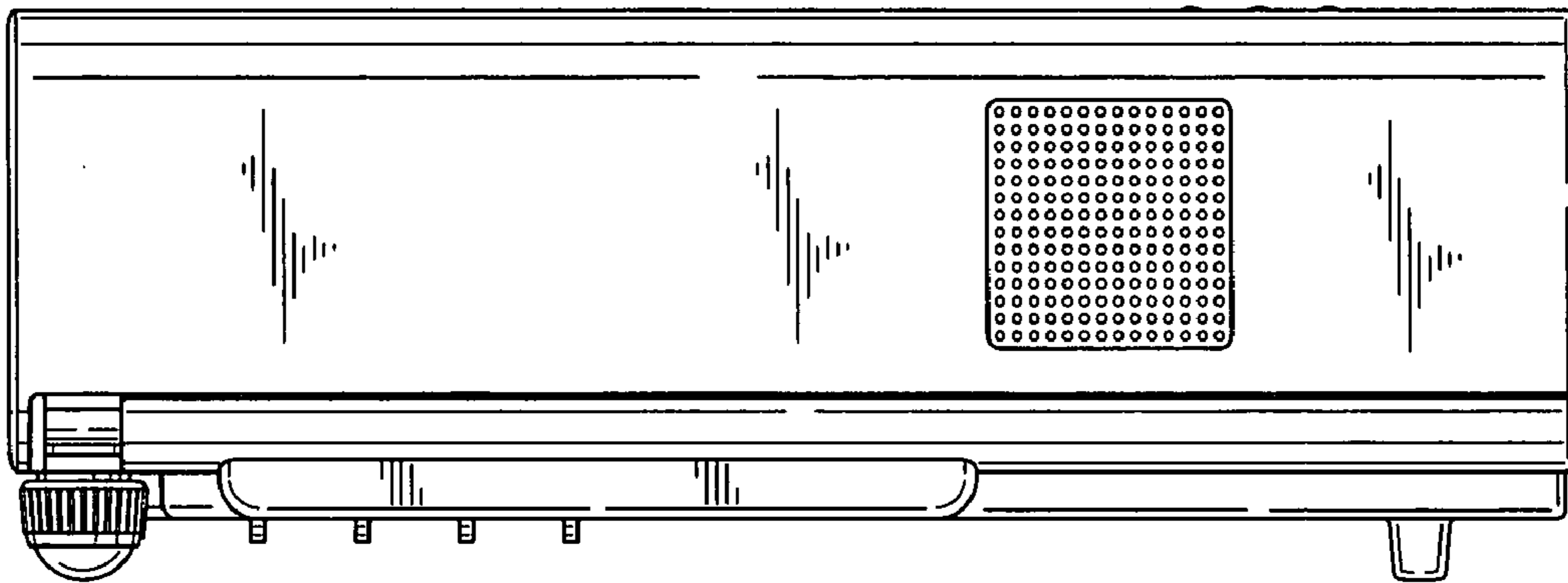


FIG. 4

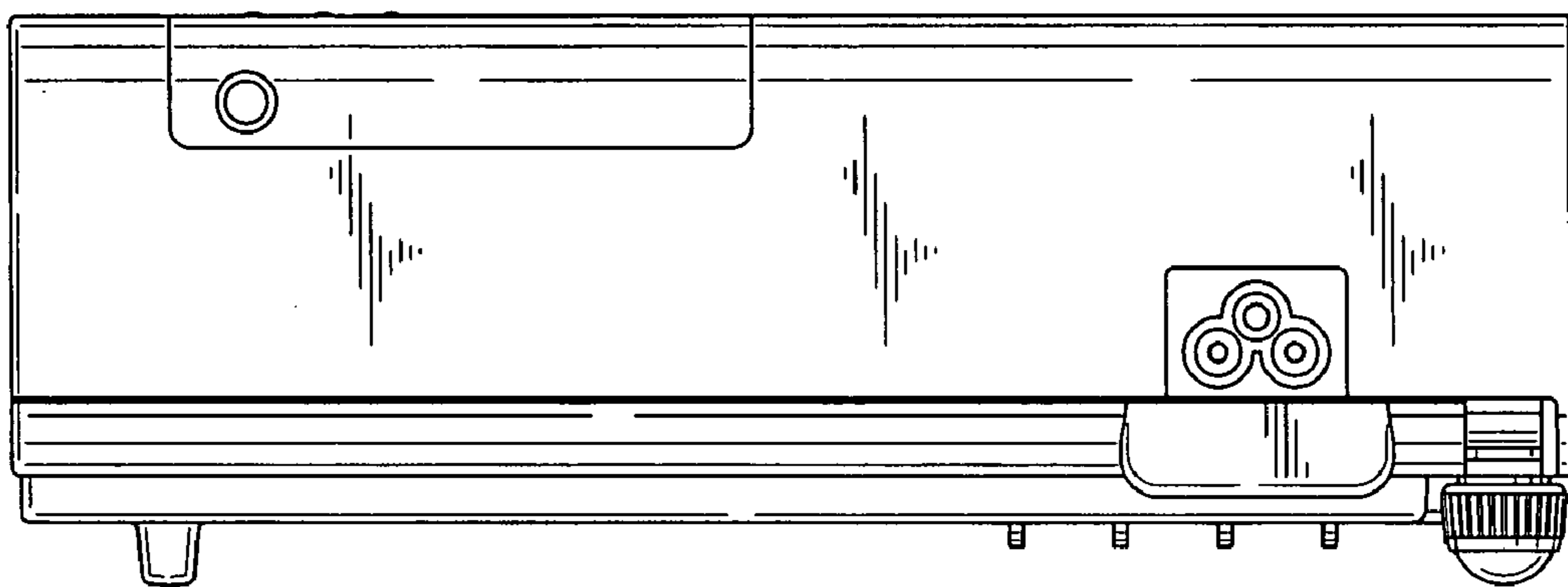


FIG. 5

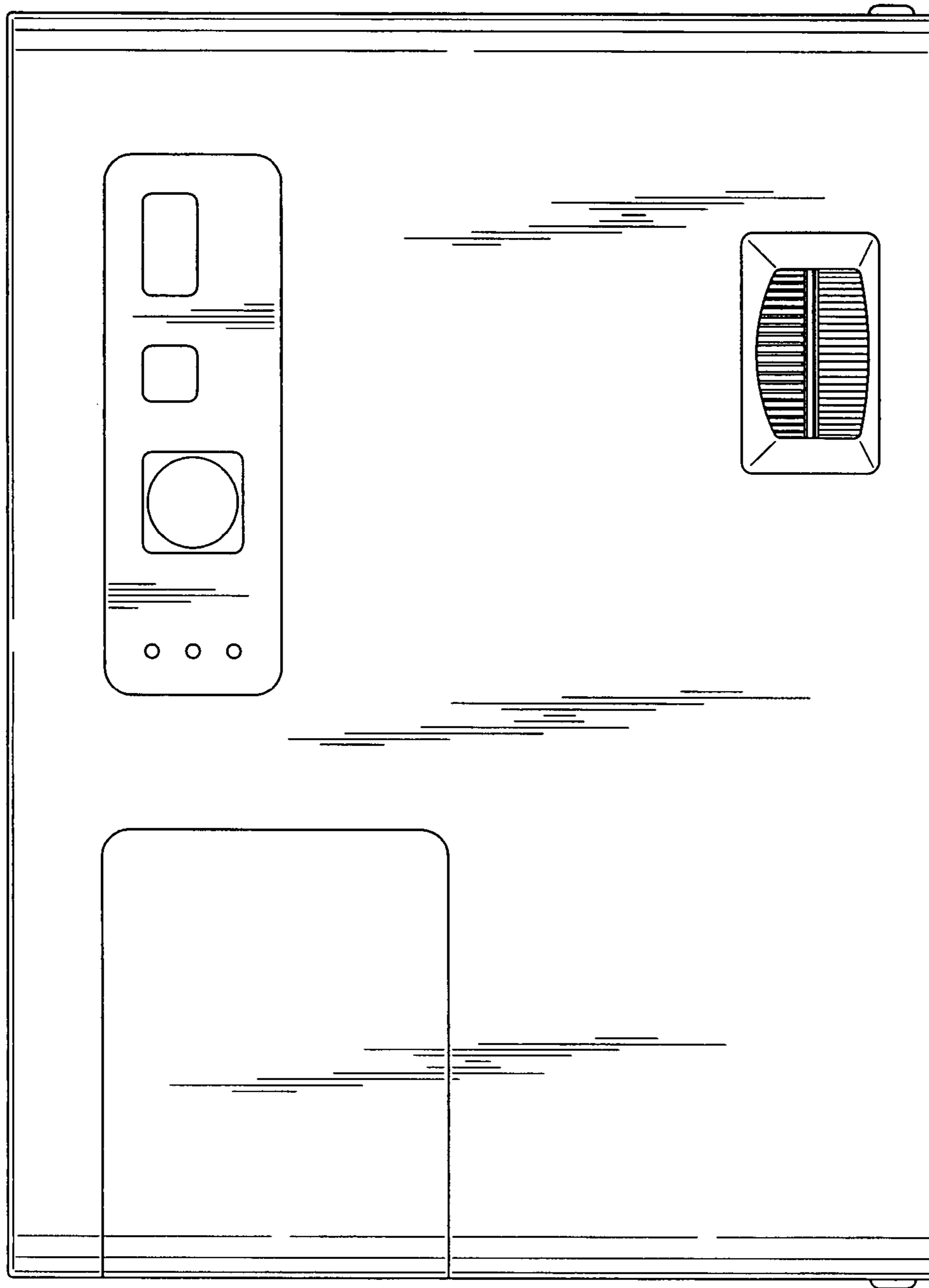


FIG. 6

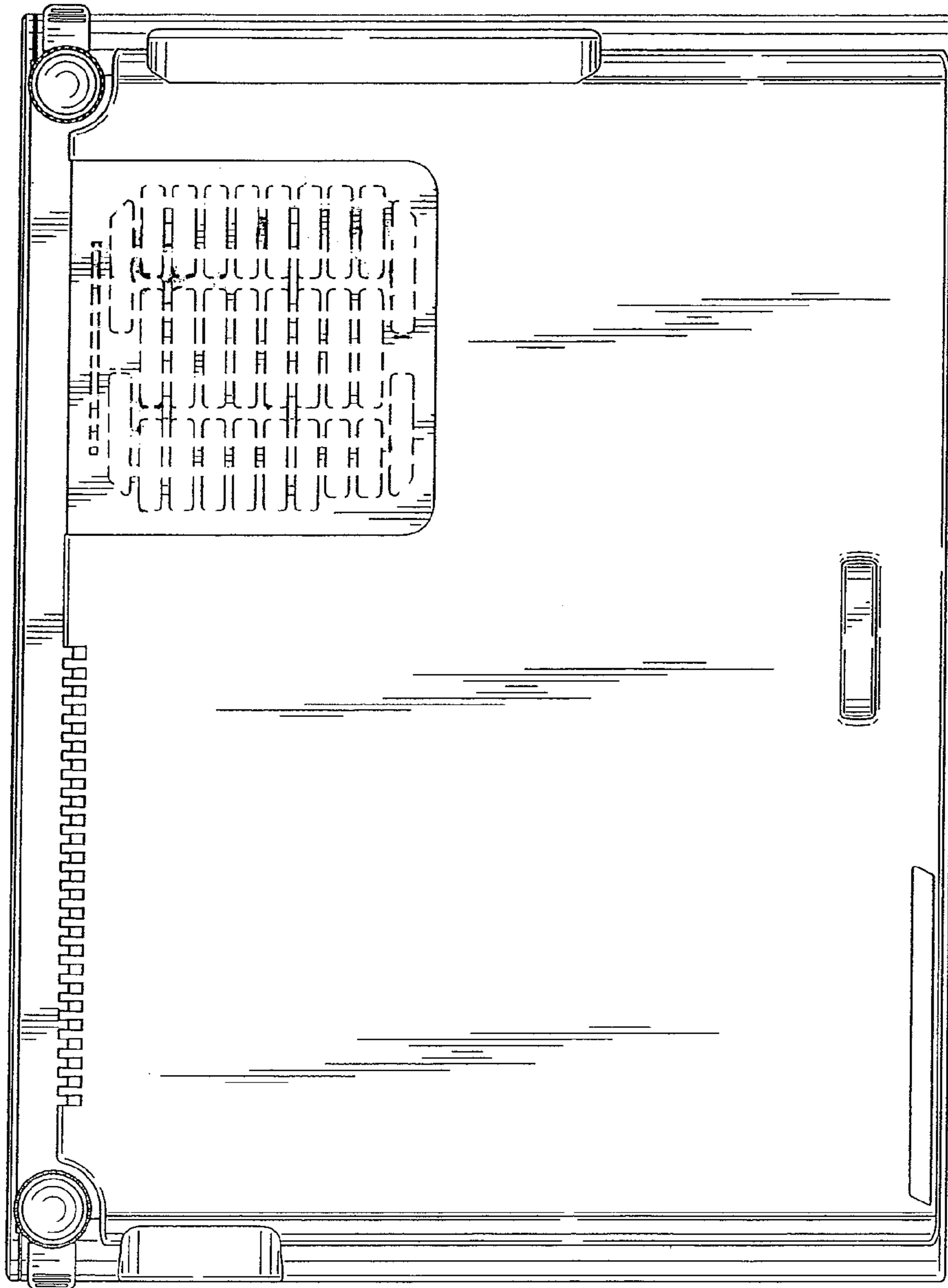


FIG. 7