

US00D555182S

(12) **United States Design Patent**
Senda

(10) **Patent No.:** **US D555,182 S**

(45) **Date of Patent:** **** Nov. 13, 2007**

(54) **ELECTRONIC CAMERA**

(75) Inventor: **Yutaka Senda**, Tokyo (JP)

(73) Assignee: **Fujifilm Corporation**, Tokyo (JP)

(**) Term: **14 Years**

(21) Appl. No.: **29/259,718**

(22) Filed: **May 16, 2006**

(30) **Foreign Application Priority Data**

Nov. 17, 2005 (JP) 2005-033932

(51) **LOC (8) Cl.** **16-01**

(52) **U.S. Cl.** **D16/202**

(58) **Field of Classification Search** D16/200–204,
D16/208, 209, 218; 348/373–376; 358/909.1;
396/6, 535, 536–541

See application file for complete search history.

(56) **References Cited**

U.S. PATENT DOCUMENTS

D386,183 S *	11/1997	Katayama	D16/209
6,553,188 B2 *	4/2003	Tanaka	396/535
D481,051 S *	10/2003	Isozaki et al.	D16/202
D507,586 S *	7/2005	Nakamura	D16/202
D525,638 S *	7/2006	Nakamura	D16/202

D540,357 S *	4/2007	Sakai	D16/202
D542,822 S *	5/2007	Senda	D16/202

* cited by examiner

Primary Examiner—Adir Aronovich

(74) *Attorney, Agent, or Firm*—Young & Thompson

(57) **CLAIM**

The ornamental design for an electronic camera, as shown and described.

DESCRIPTION

FIG. 1 is a top, front and side perspective view of an electronic camera showing my new design;

FIG. 2 is a front elevational view thereof;

FIG. 3 is a rear elevational view thereof;

FIG. 4 is a top plan view thereof;

FIG. 5 is a bottom plan view thereof;

FIG. 6 is a side elevational view thereof from the left of FIG. 2;

FIG. 7 is a side elevational view thereof from the right of FIG. 2; and,

FIG. 8 is a view similar to FIG. 1, but with the parts in a different position.

1 Claim, 4 Drawing Sheets

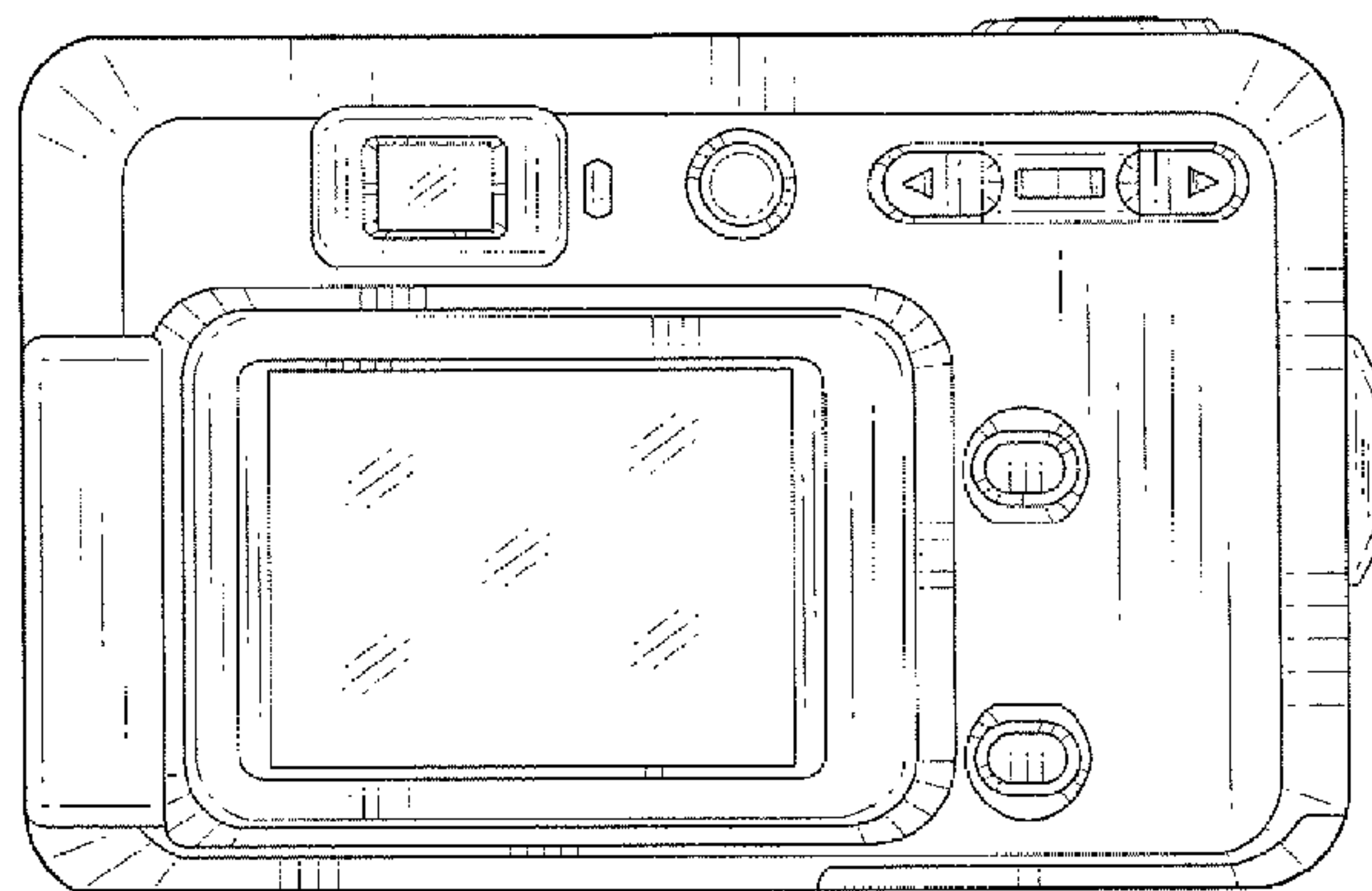
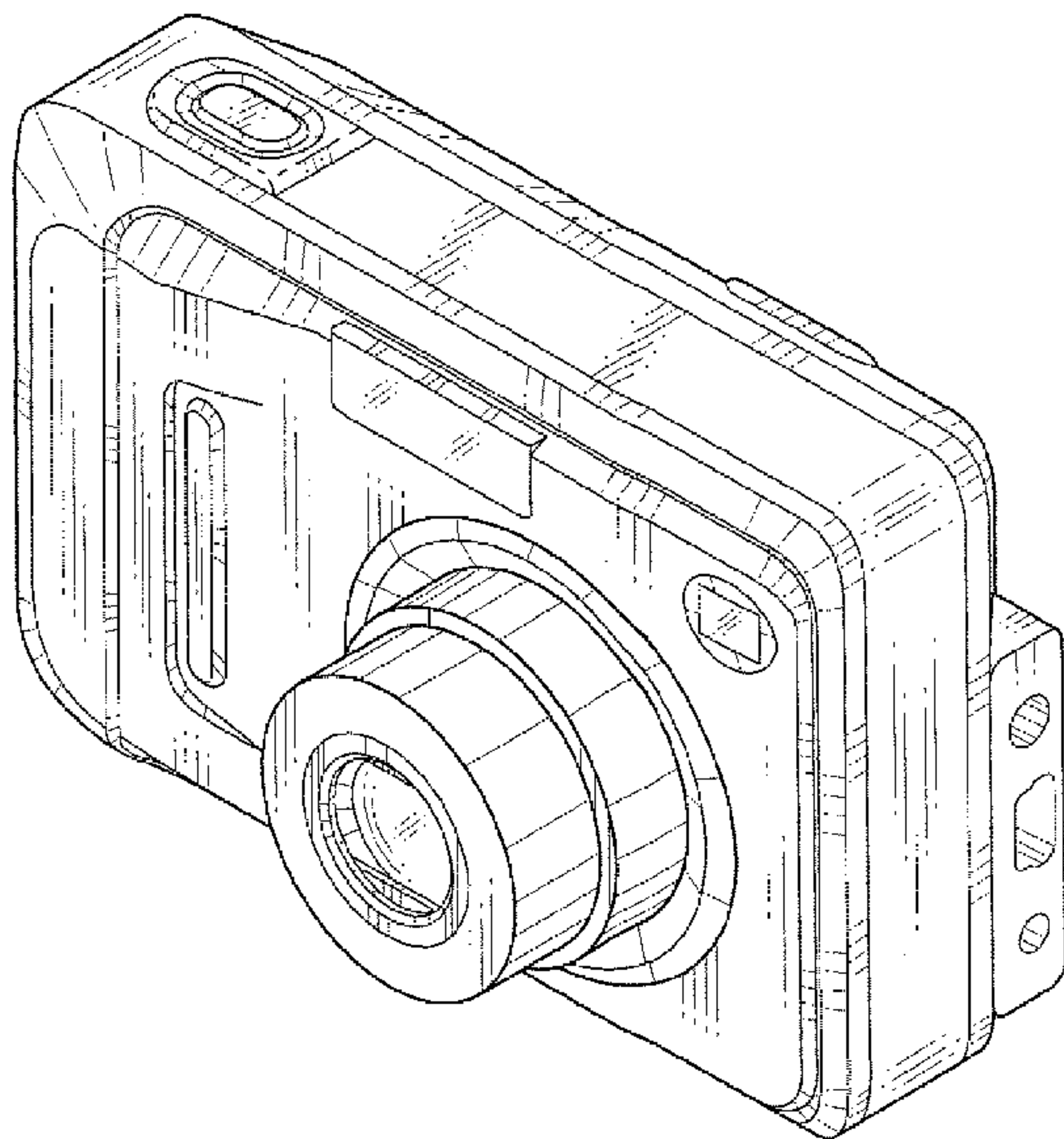


FIG. 1

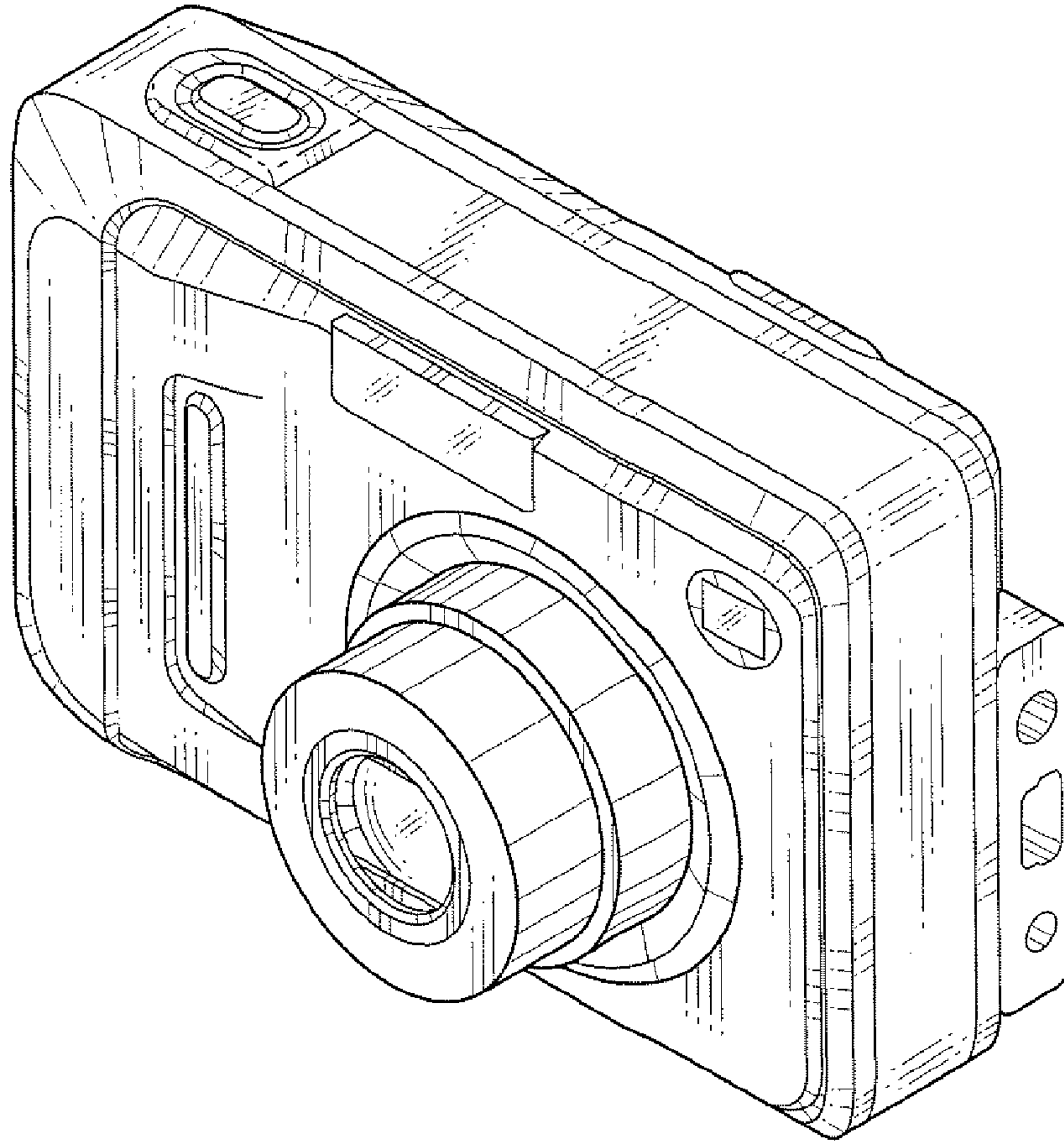


FIG. 2

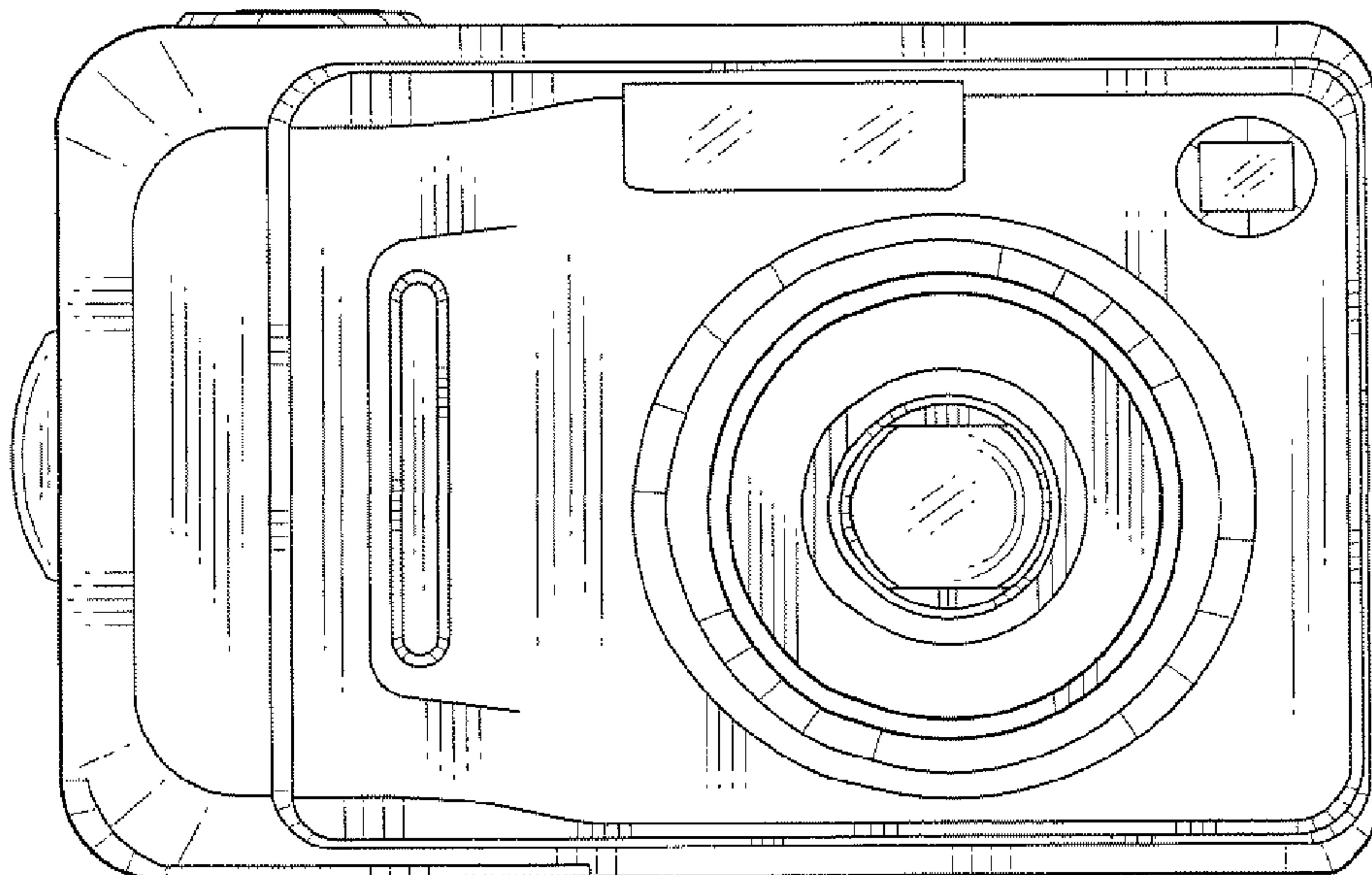


FIG.3

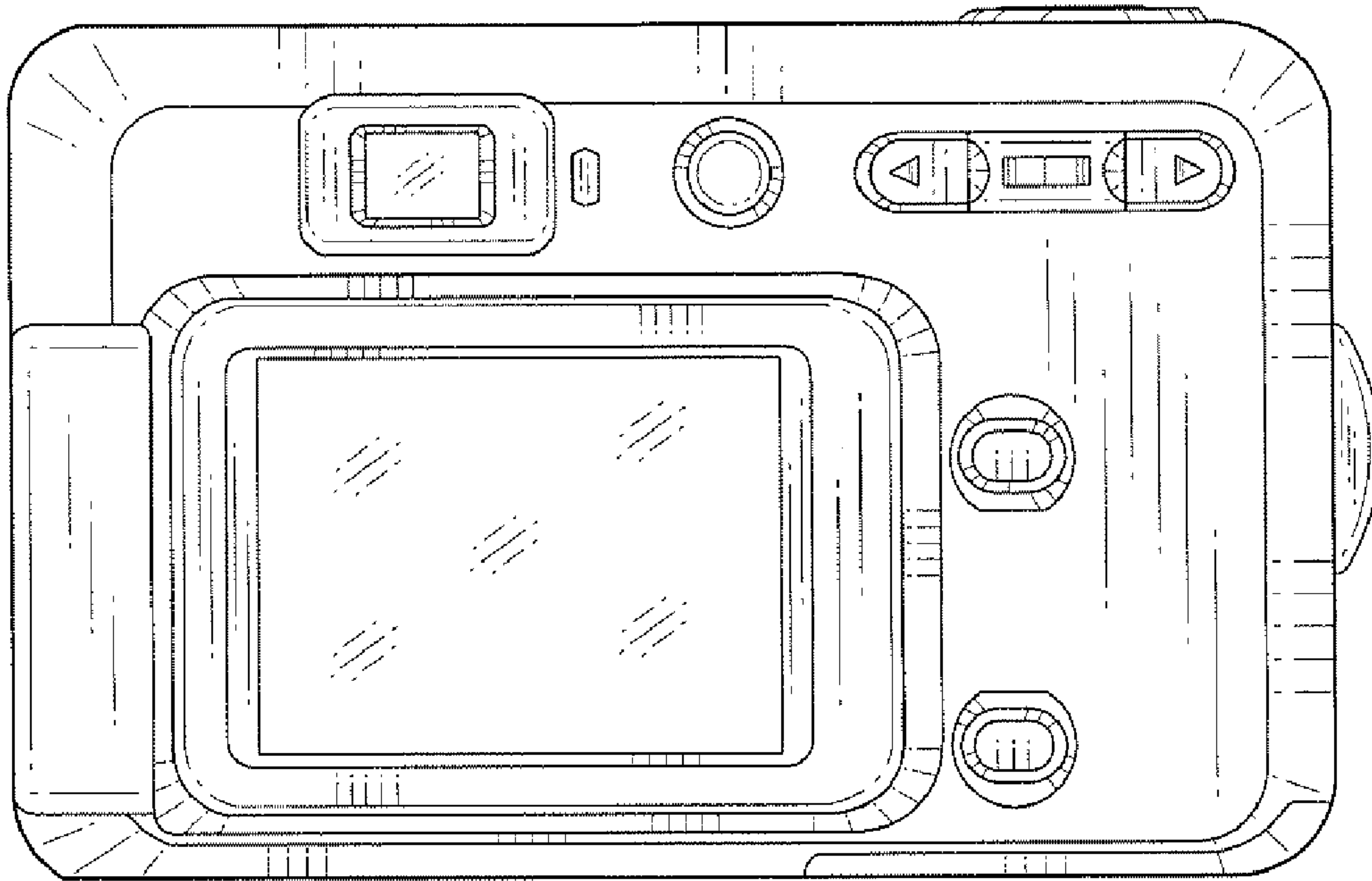


FIG.4

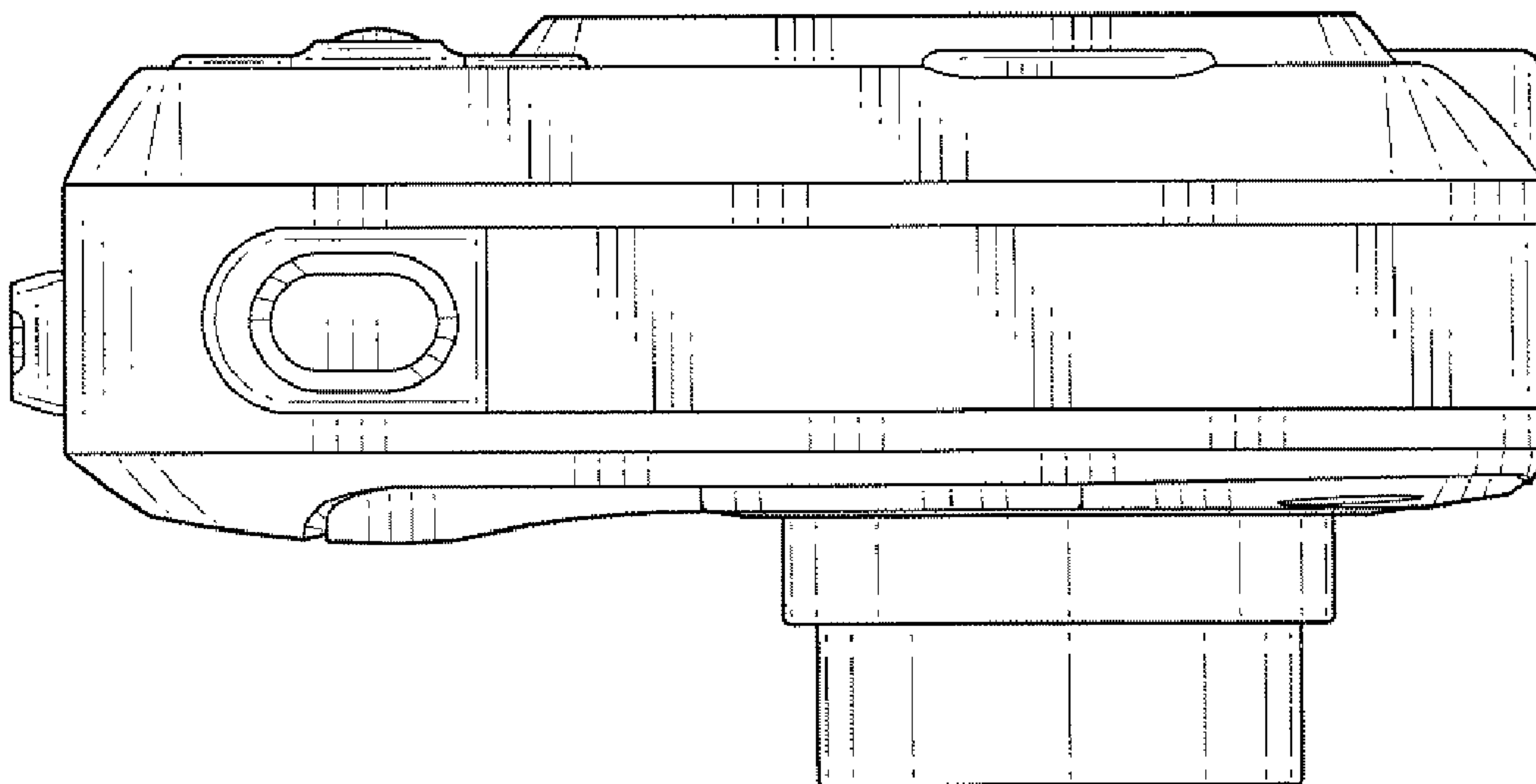


FIG.5

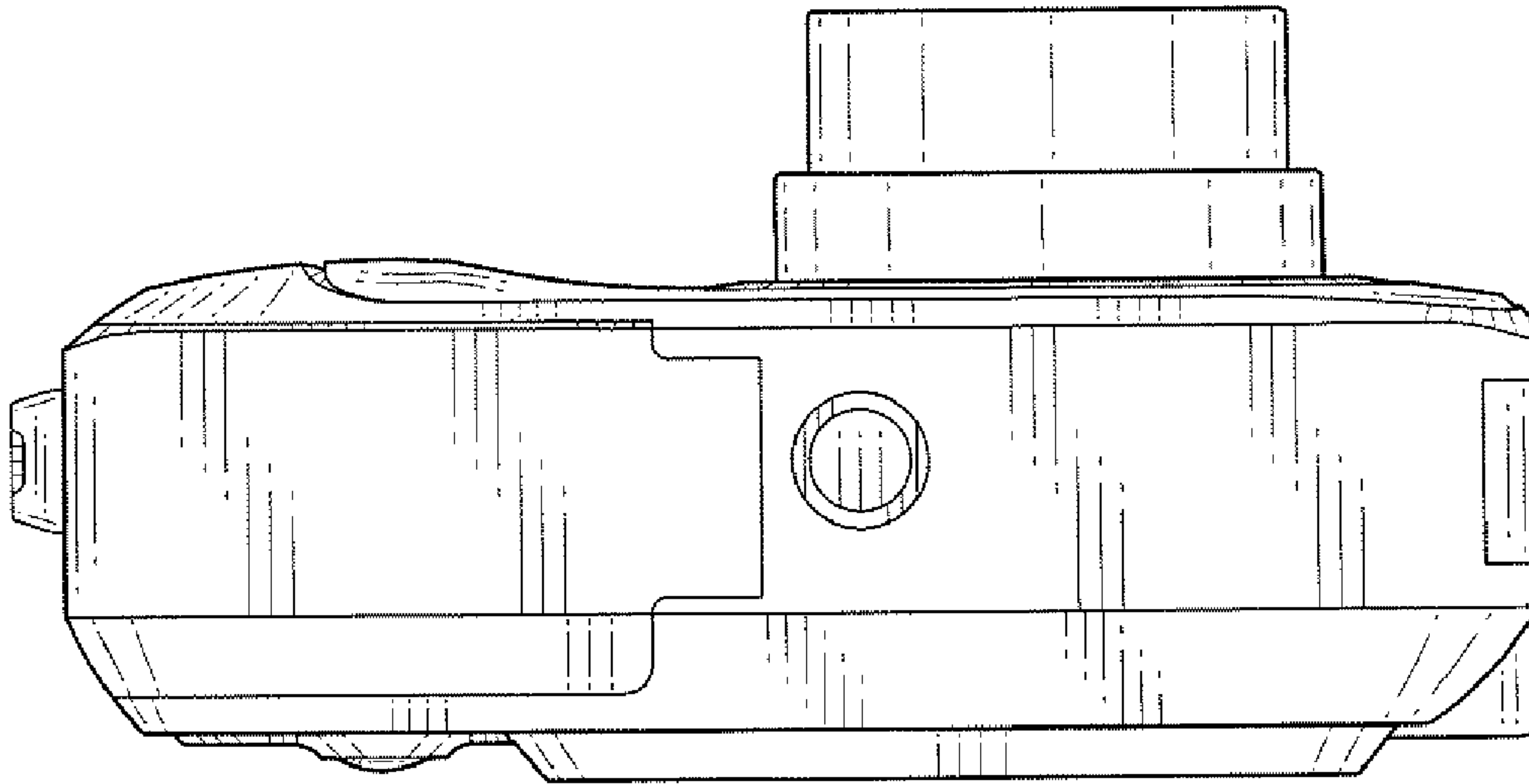


FIG.6

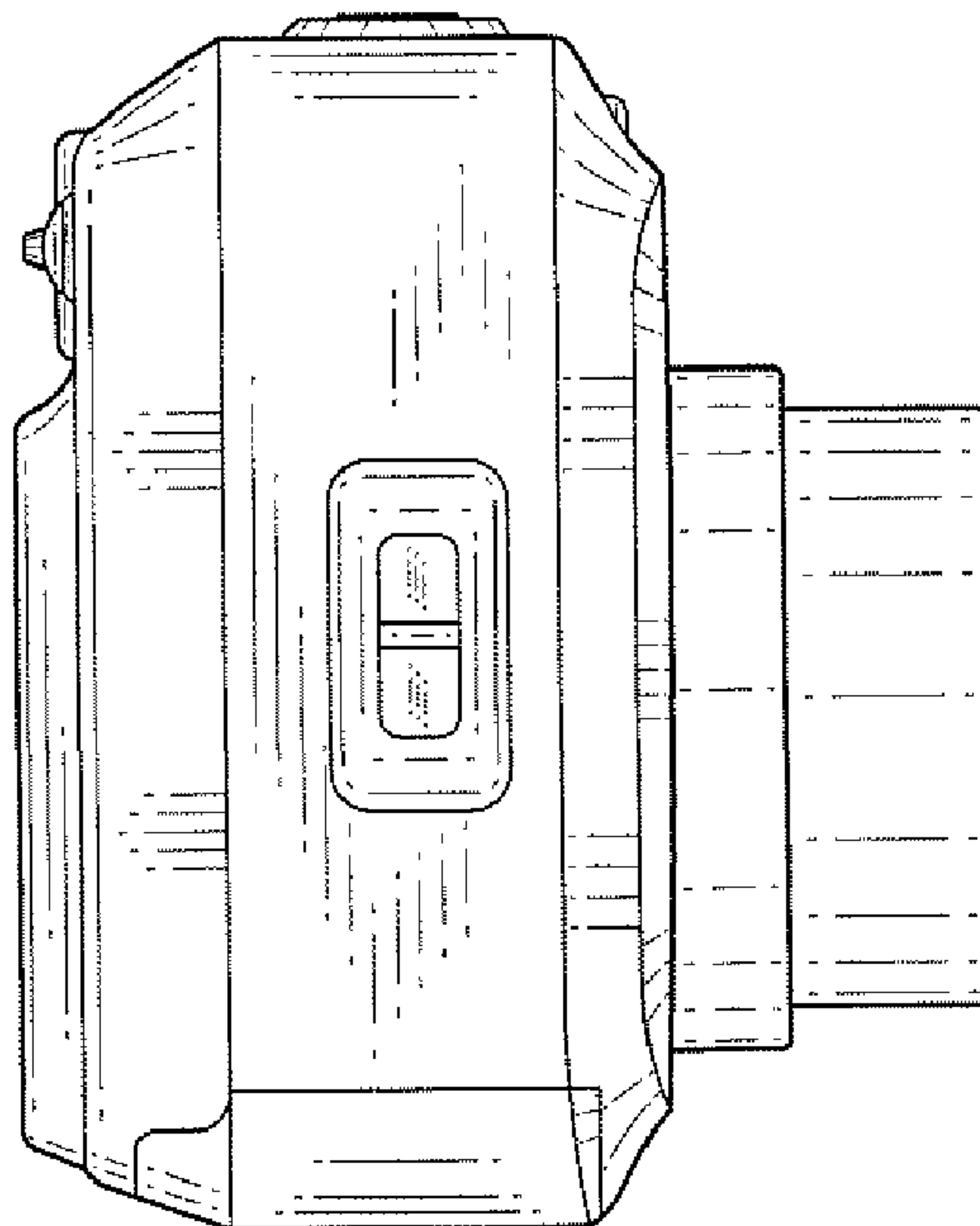


FIG.7

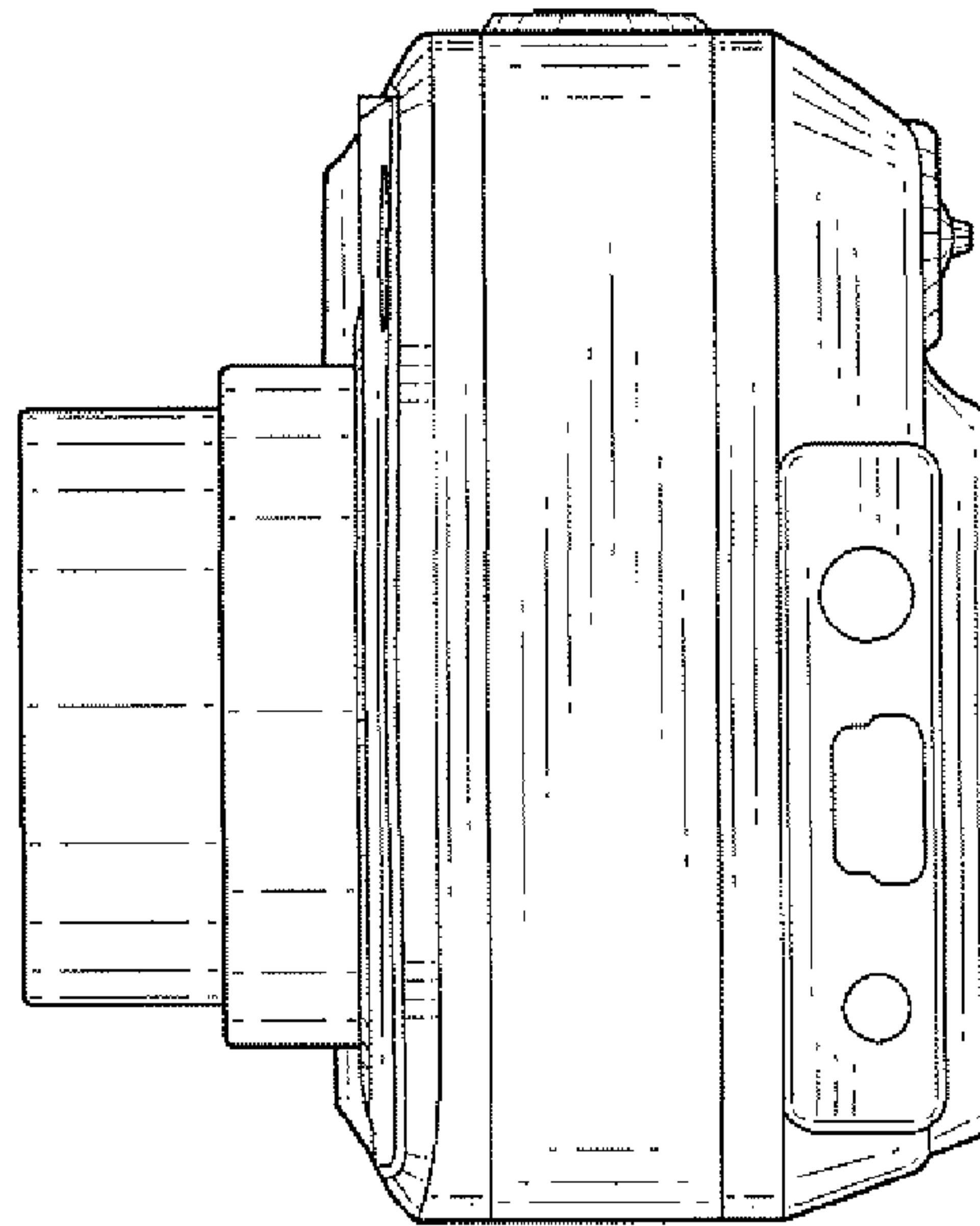


FIG.8

