



US00D555180S

(12) **United States Design Patent**
Amamoto et al.

(10) **Patent No.:** **US D555,180 S**

(45) **Date of Patent:** **** Nov. 13, 2007**

(54) **GRINDING WHEEL**

(75) Inventors: **Hirofumi Amamoto**, Uji (JP); **Kozo Kuroda**, Uji (JP)

(73) Assignee: **Sanwa Kenma, Ltd.** (JP)

(**) Term: **14 Years**

(21) Appl. No.: **29/236,330**

(22) Filed: **Aug. 15, 2005**

(51) **LOC (8) Cl.** **15-09**

(52) **U.S. Cl.** **D15/126**

(58) **Field of Classification Search** D8/70;
D15/124, 126, 138, 139; 29/81.12; 125/11.03;
451/56, 443, 464, 496, 498, 508, 526-533
See application file for complete search history.

(56) **References Cited**

U.S. PATENT DOCUMENTS

D284,969 S *	8/1986	Olovsson	D15/126
6,299,522 B1 *	10/2001	Lee	451/548
D466,912 S *	12/2002	Lee	D15/126
D472,565 S	4/2003	Amamoto		
D474,954 S *	5/2003	Kim et al.	D8/70
D486,839 S *	2/2004	Sunagawa et al.	D15/126

D498,486 S *	11/2004	Eisenblaetter	D15/126
D519,530 S *	4/2006	Thysell et al.	D15/126
2003/0114092 A1 *	6/2003	Rupprecht et al.	451/359
2005/0202769 A1 *	9/2005	Chang	451/527

* cited by examiner

Primary Examiner—Antoine D. Davis

Assistant Examiner—Patricia Palasik

(74) *Attorney, Agent, or Firm*—Gerald E. Hespos; Anthony J. Casella

(57) **CLAIM**

The ornamental design for a grinding wheel, as shown and described.

DESCRIPTION

FIG. 1 is a perspective view of a grinding wheel;
FIG. 2 is a front view thereof;
FIG. 3 is a rear view thereof;
FIG. 4 is a left side view thereof;
FIG. 5 is a right side view thereof;
FIG. 6 is a top view thereof; and,
FIG. 7 is a bottom view thereof.

1 Claim, 5 Drawing Sheets

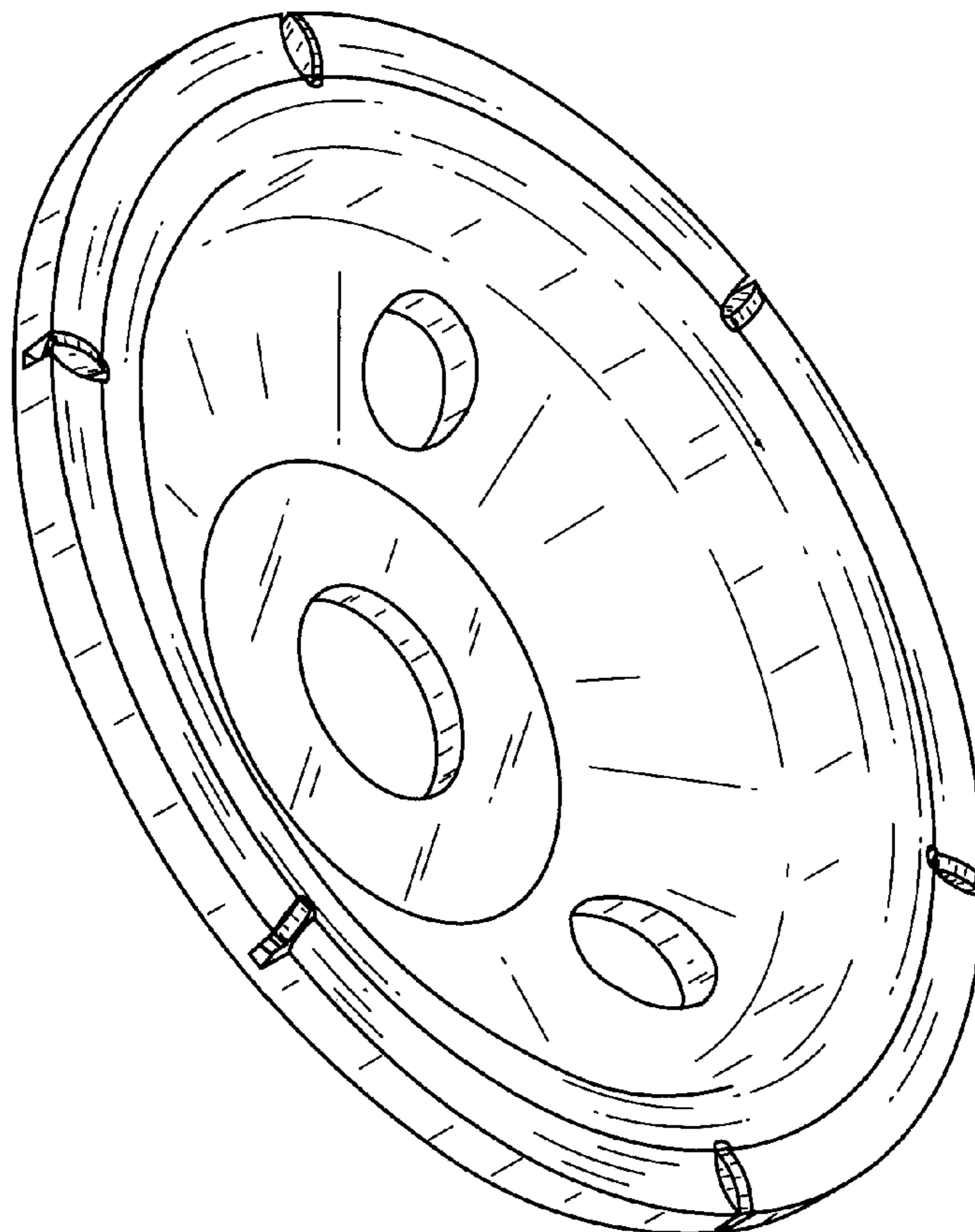


Fig.1

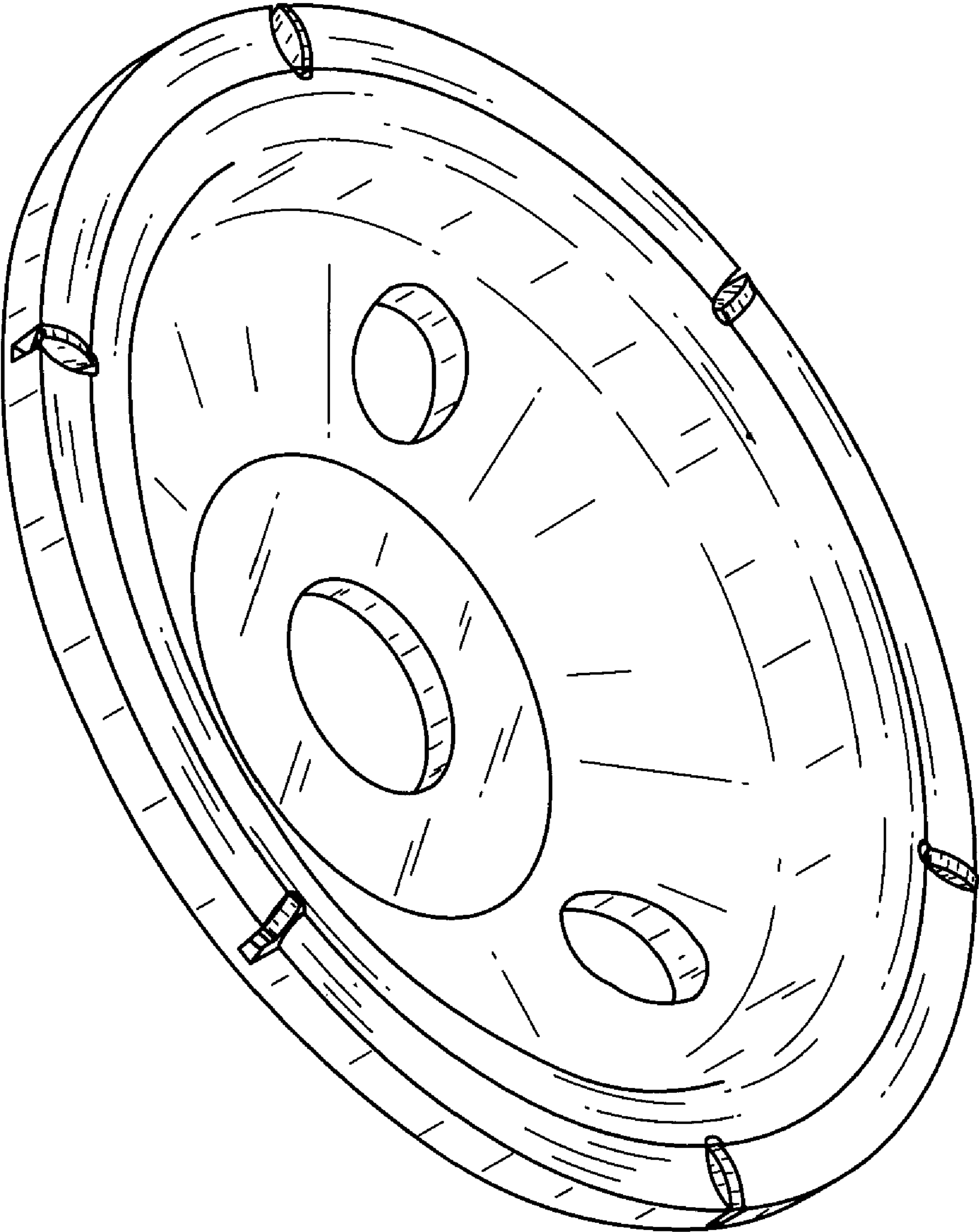


Fig.2

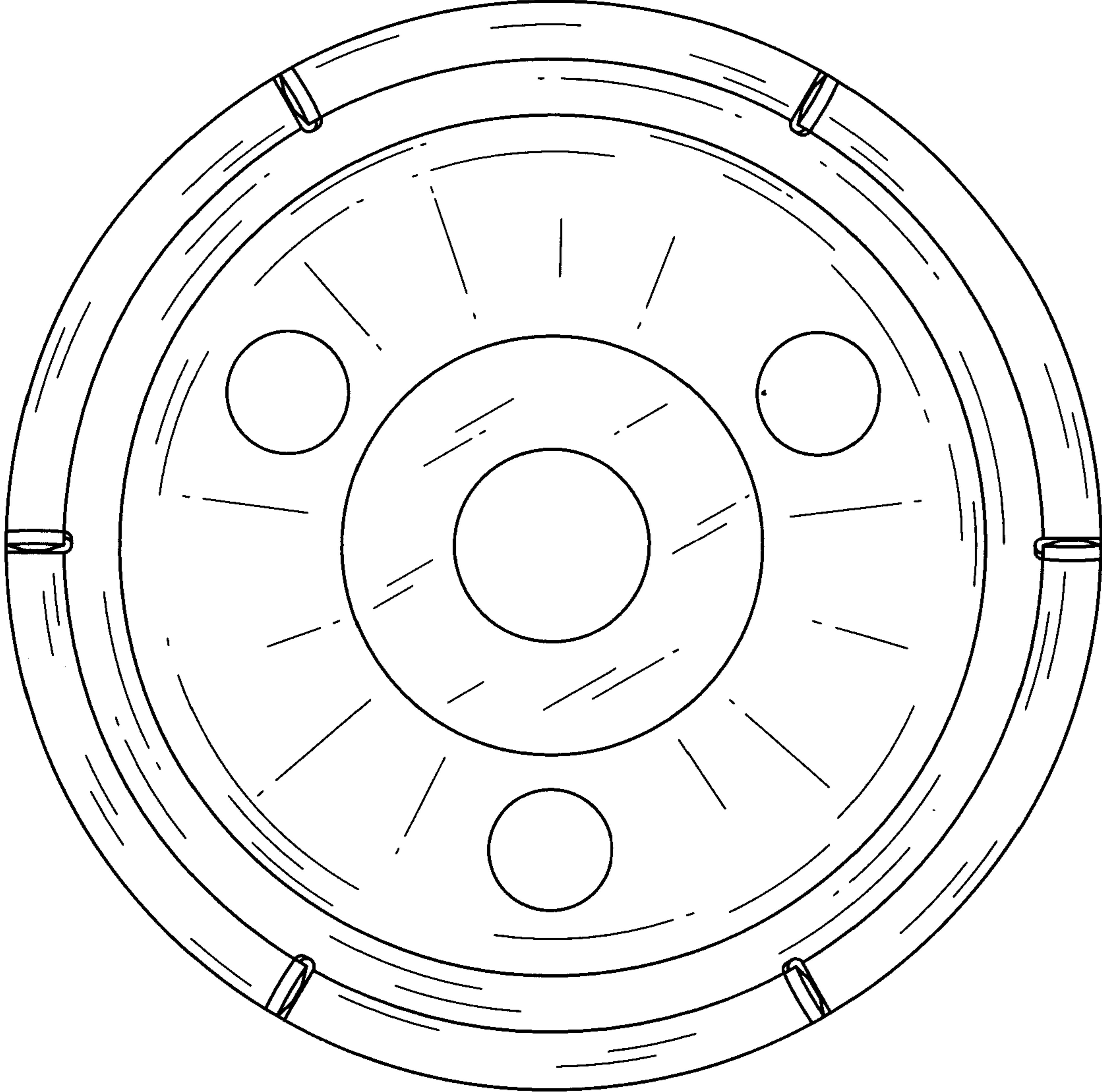


Fig.3

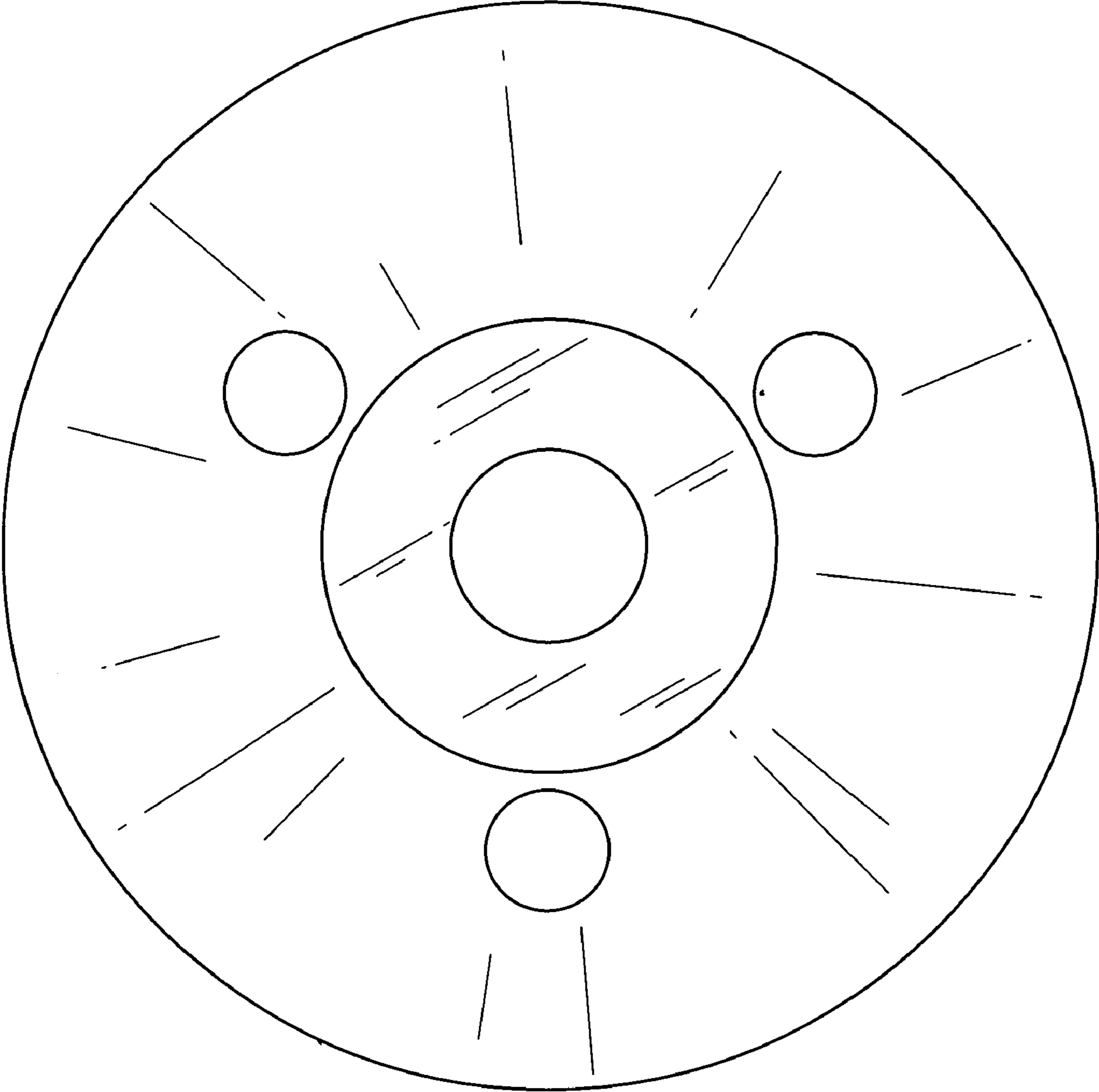


Fig.4

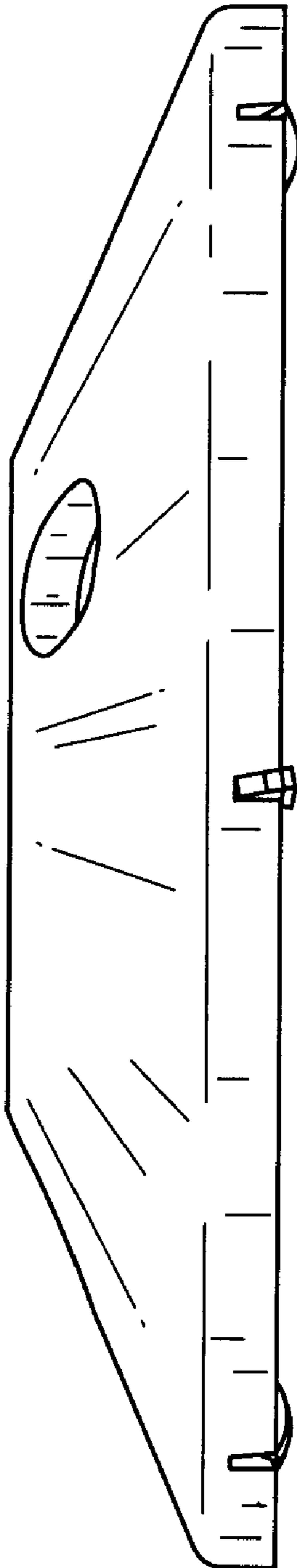


Fig.5

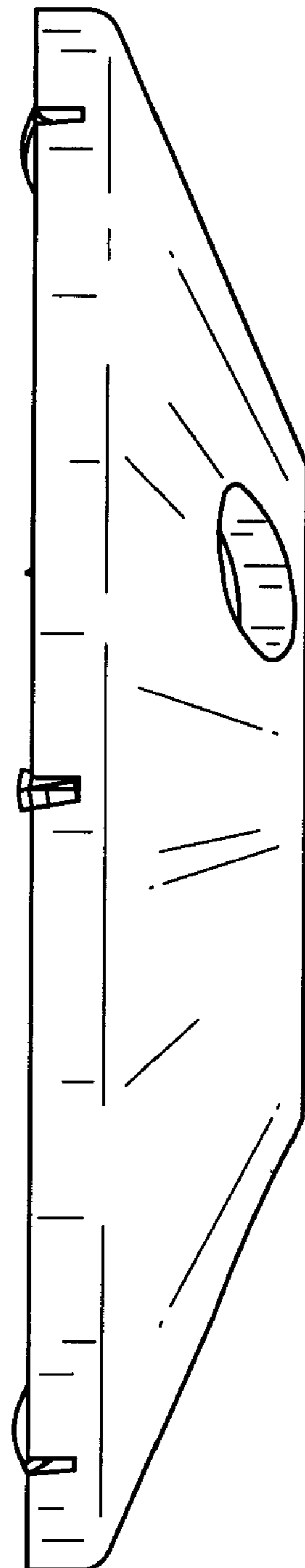


Fig.6

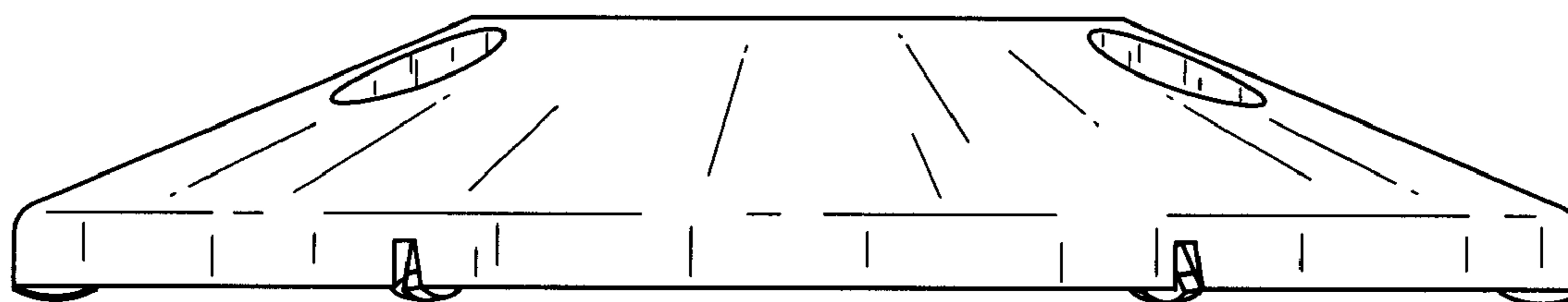


Fig.7

