



US00D555179S

(12) **United States Design Patent**
Jeon et al.

(10) **Patent No.:** **US D555,179 S**

(45) **Date of Patent:** **** Nov. 13, 2007**

(54) **WATER DISPENSER FOR REFRIGERATOR**

D541,316 S * 4/2007 McDougal et al. D15/89

* cited by examiner

(75) Inventors: **Jong Su Jeon**, Seoul (KR); **Kyung Ho Chai**, Seoul (KR)

Primary Examiner—Ian Simmons

Assistant Examiner—Shanda C. Hill

(73) Assignee: **Samsung Electronics Co., Ltd.**, Suwon (KR)

(74) *Attorney, Agent, or Firm*—Ladas & Parry LLP

(**) Term: **14 Years**

(57) **CLAIM**

(21) Appl. No.: **29/271,423**

The ornamental design for a water dispenser for refrigerator, as shown and described.

(22) Filed: **Jan. 18, 2007**

DESCRIPTION

(51) **LOC (8) Cl.** **15-07**

FIG. 1 is a front, right-side, top perspective view of a water dispenser for refrigerator showing our new design;

(52) **U.S. Cl.** **D15/89**

FIG. 2 is a front elevational view thereof;

(58) **Field of Classification Search** D15/79,

FIG. 3 is a rear elevational view thereof;

D15/82, 89, 90; D7/306, 312; D30/121,

FIG. 4 is a left-side elevational view thereof;

D30/130, 132; 62/3.1, 3.6, 3.63, 3.64, 45.1,

FIG. 5 is a right-side elevational view thereof;

62/137, 293, 331, 371, 440, 449, 467, 529,

FIG. 6 is a top plan view thereof;

62/531; 312/236, 352, 400-408

FIG. 7 is a bottom plan view thereof,

See application file for complete search history.

FIG. 8 is a front, right-side, top perspective view of FIG. 1 shown in an open position; and,

(56) **References Cited**

U.S. PATENT DOCUMENTS

FIG. 9 is a front, right-side, top perspective view of FIG. 1 shown in condition of use.

D335,197 S * 4/1993 Strickland D30/132

The broken lines shown in the drawing disclosure are for illustrative purposes only and form no part of the claimed design.

D365,668 S * 12/1995 Lorenzana et al. D30/130

6,148,624 A * 11/2000 Bishop et al. 62/137

6,574,984 B1 * 6/2003 McCrea et al. 62/449

D496,056 S * 9/2004 Floeter et al. D15/89

D522,542 S * 6/2006 Czach et al. D15/89

D527,749 S * 9/2006 Eveland et al. D15/89

1 Claim, 7 Drawing Sheets

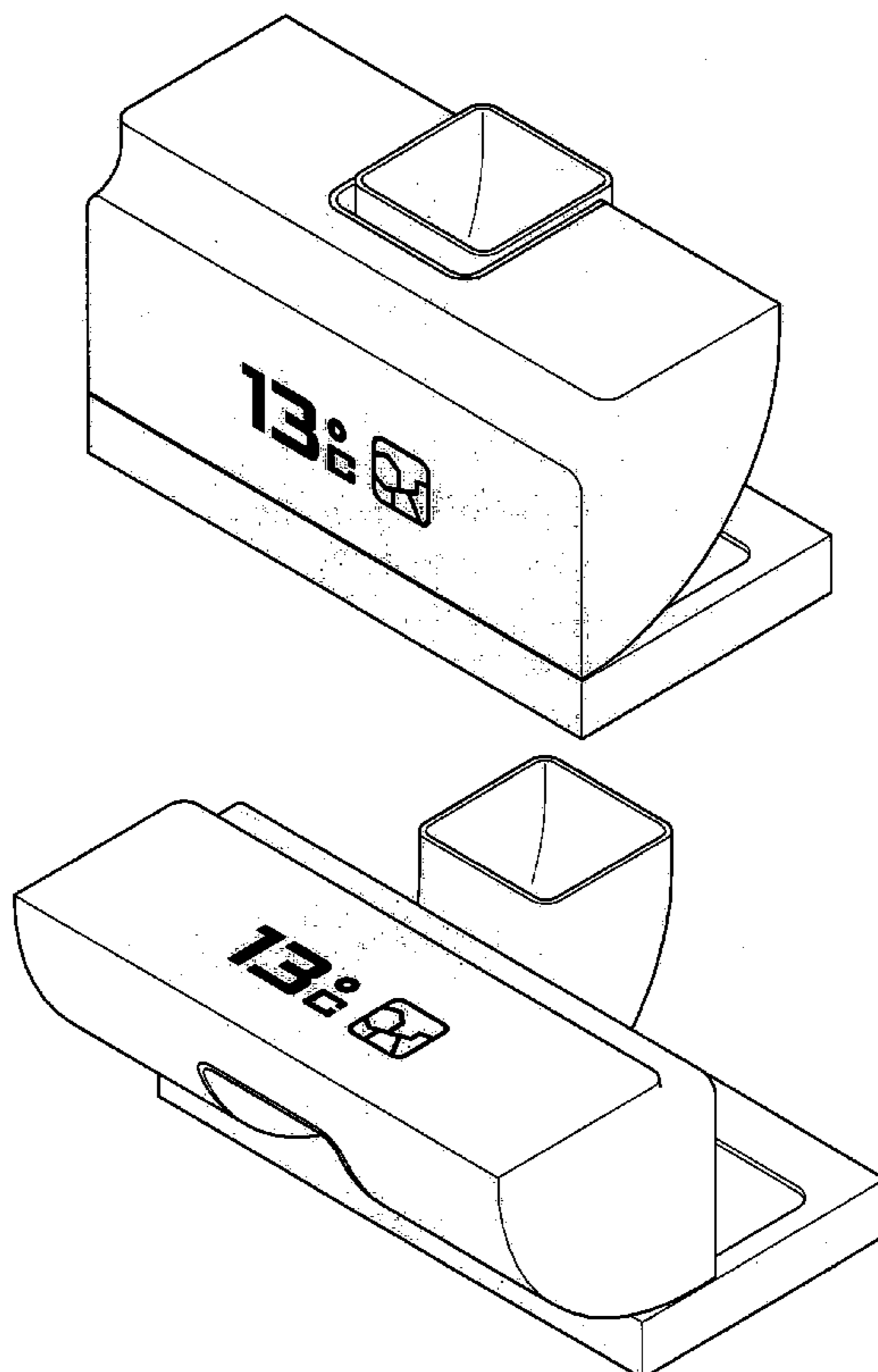


FIG. 1

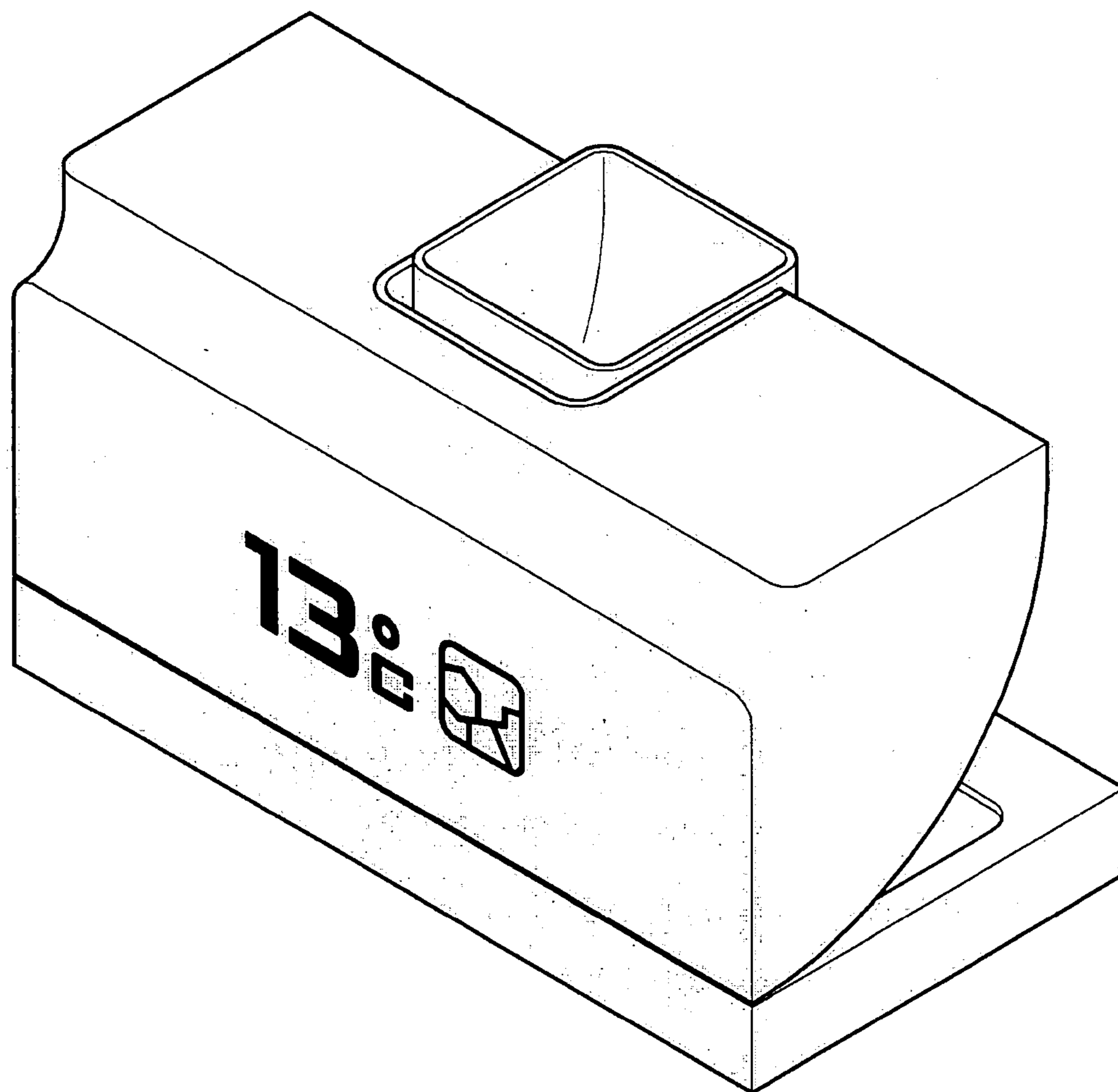


FIG. 2

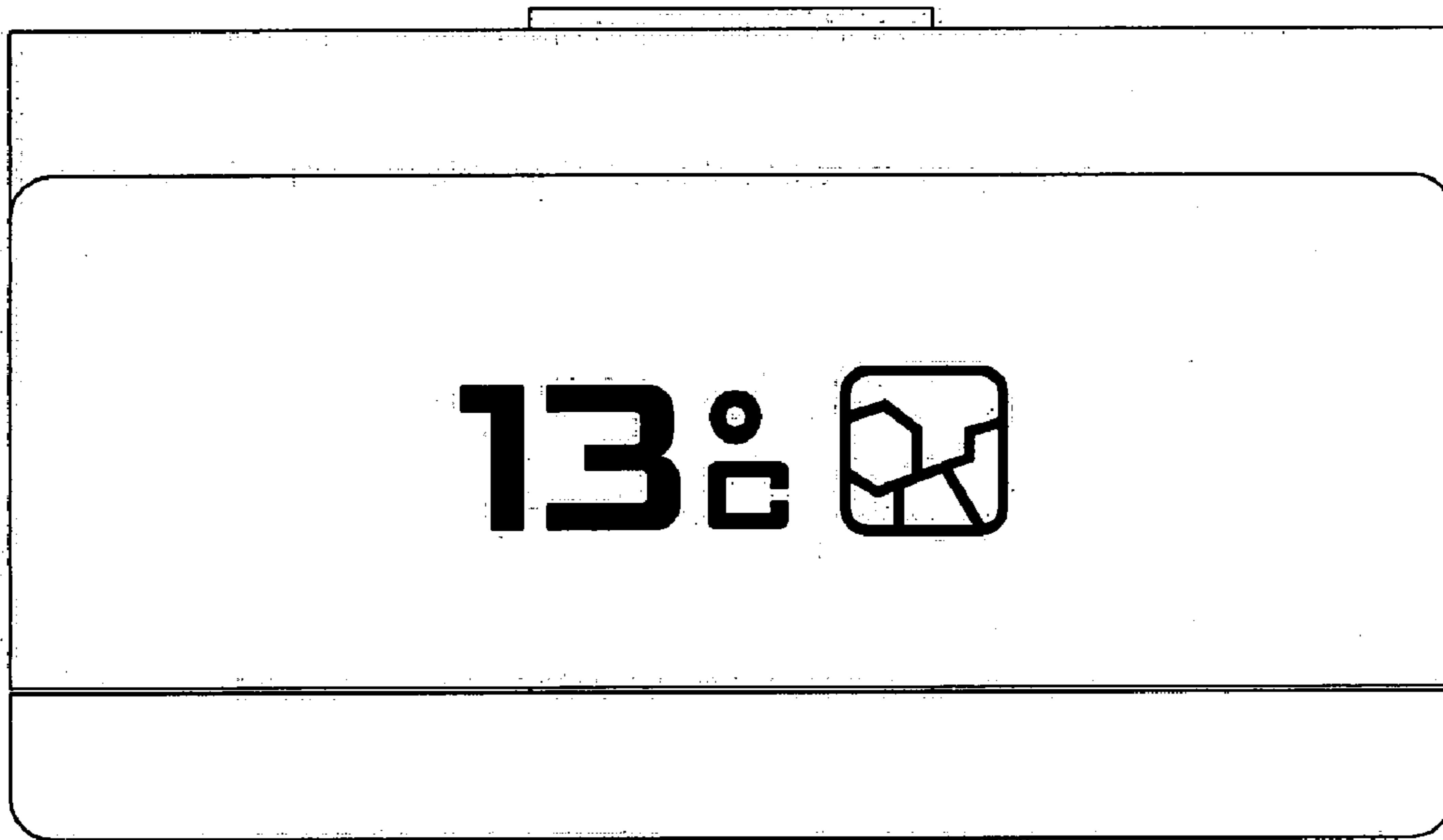


FIG. 3

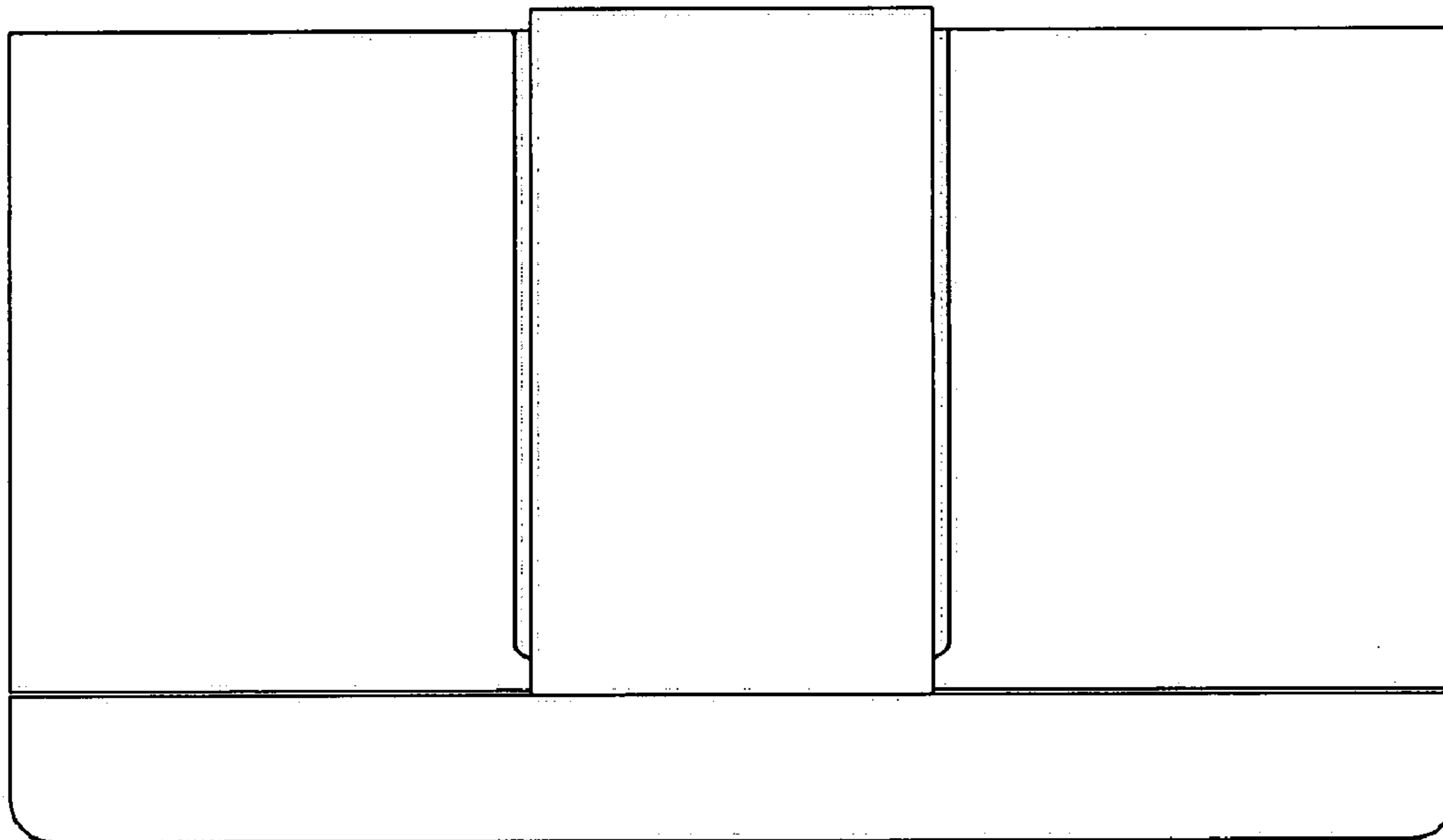


FIG. 4

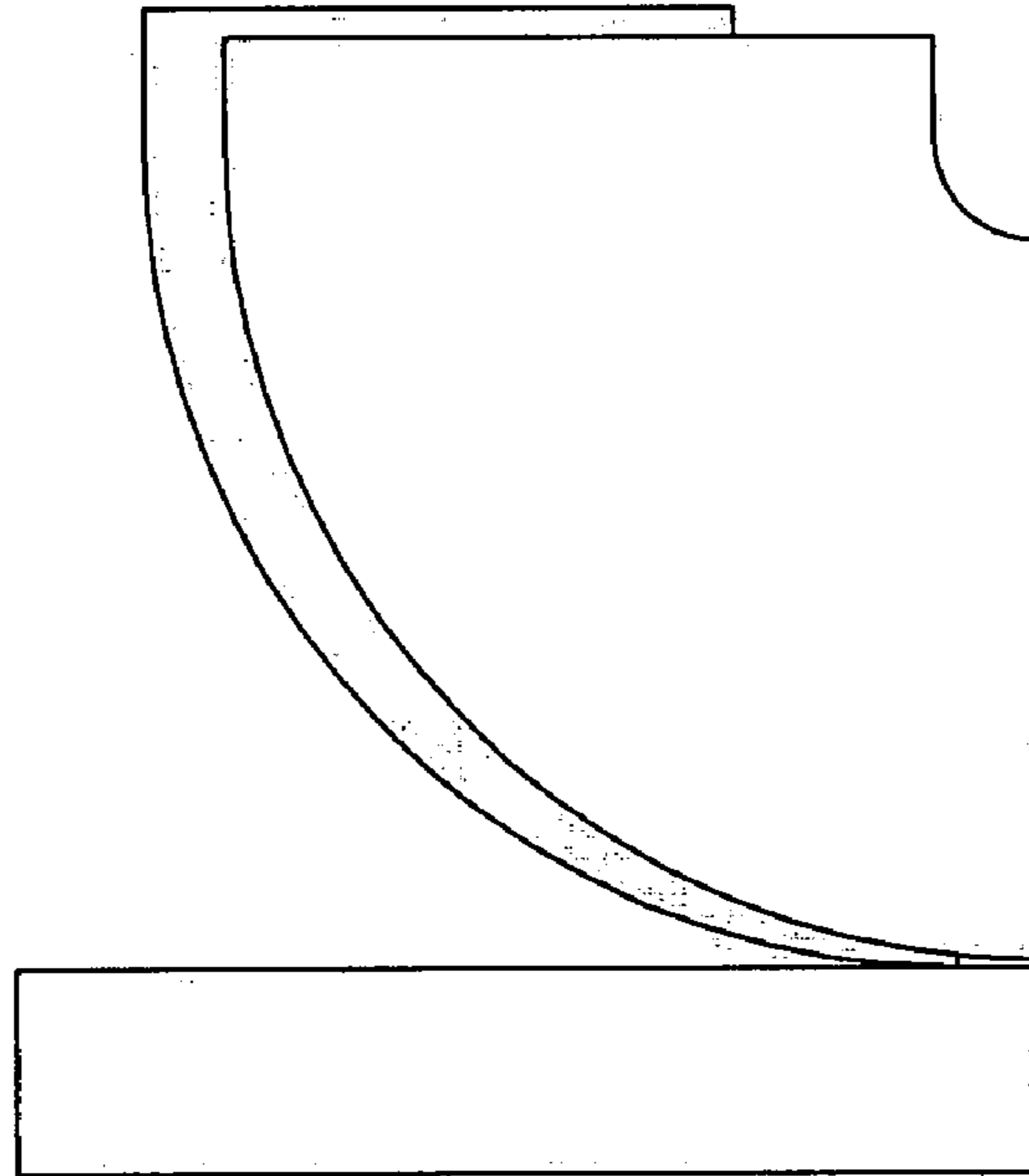


FIG. 5

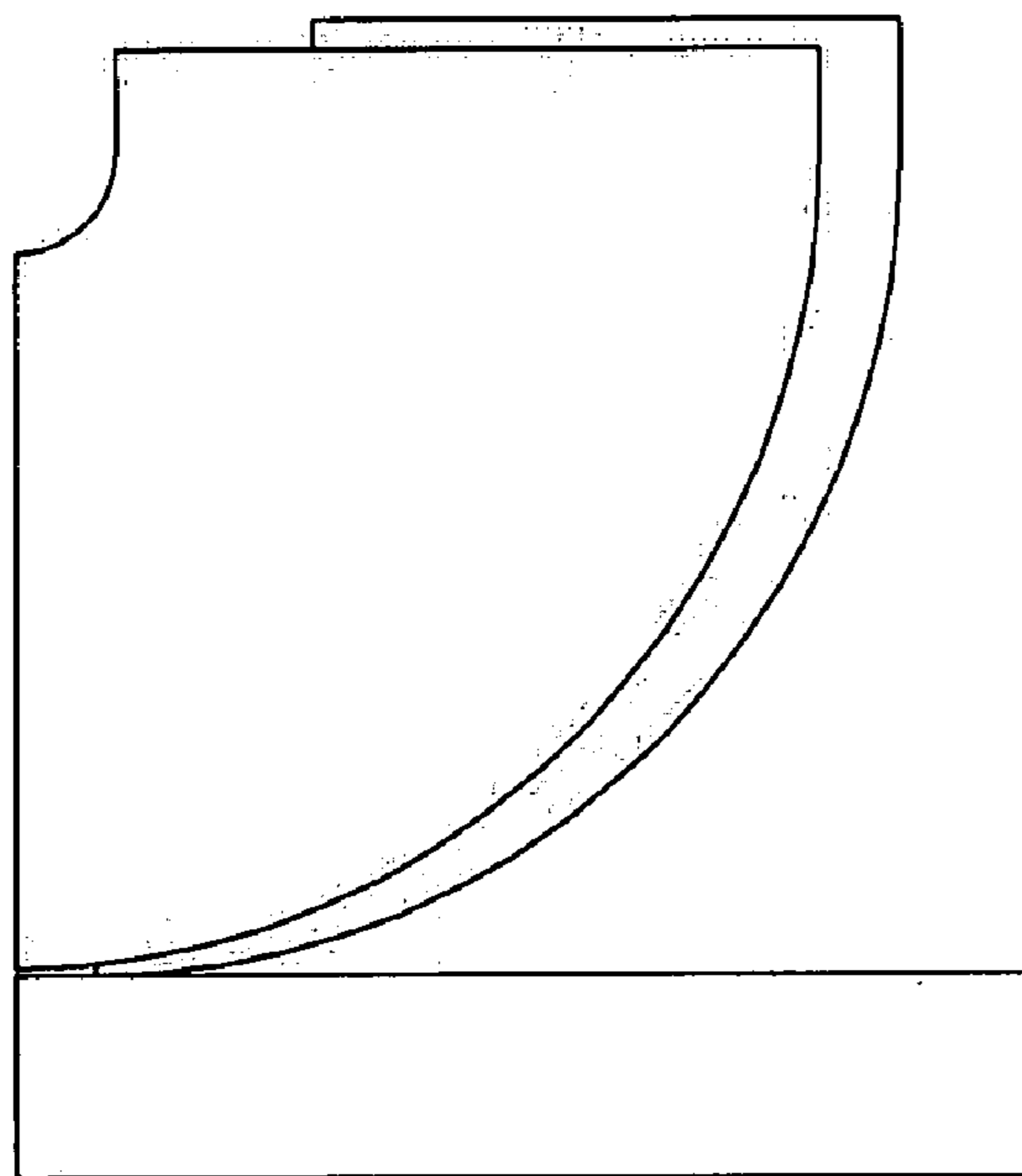


FIG. 6

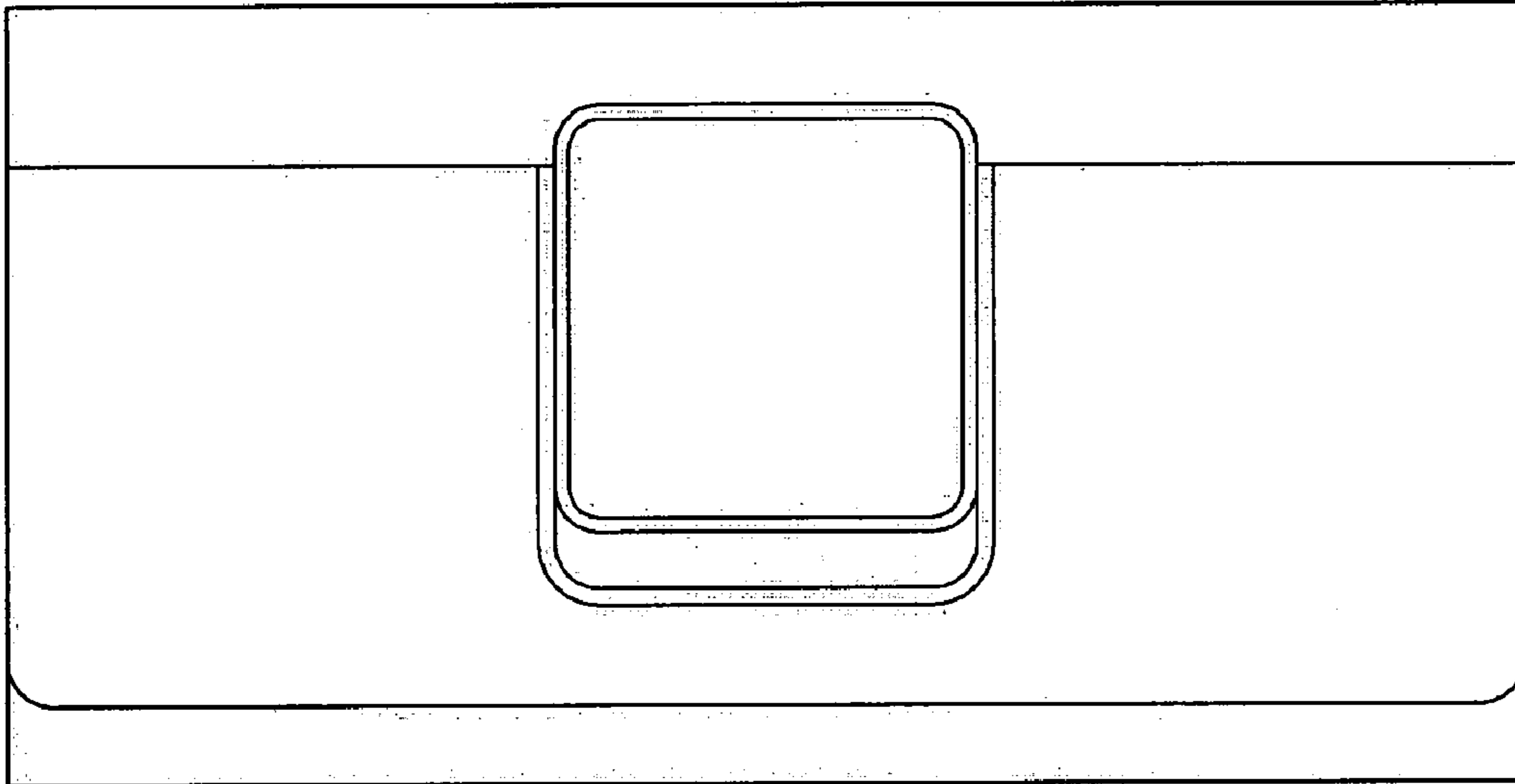


FIG. 7

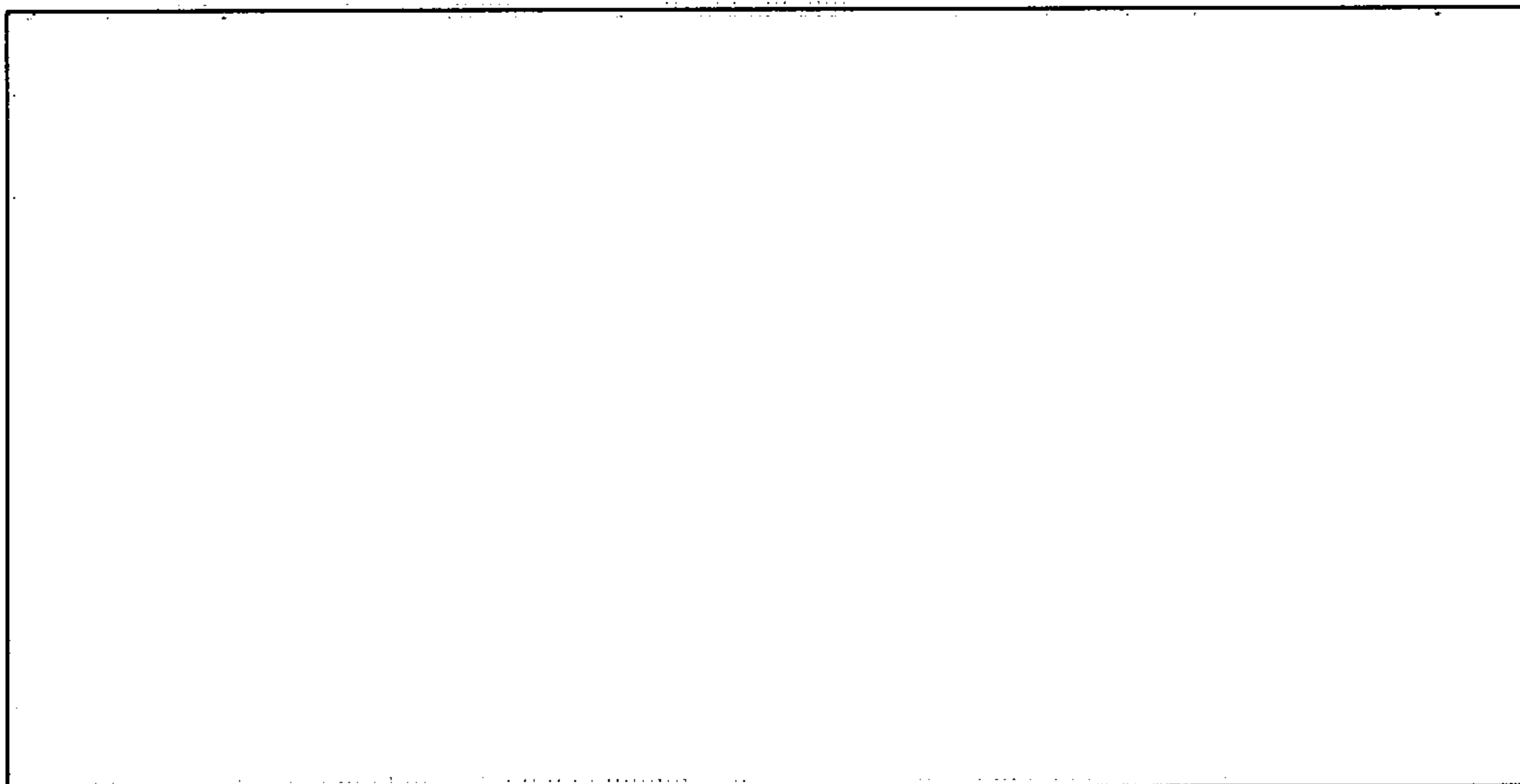


FIG. 8

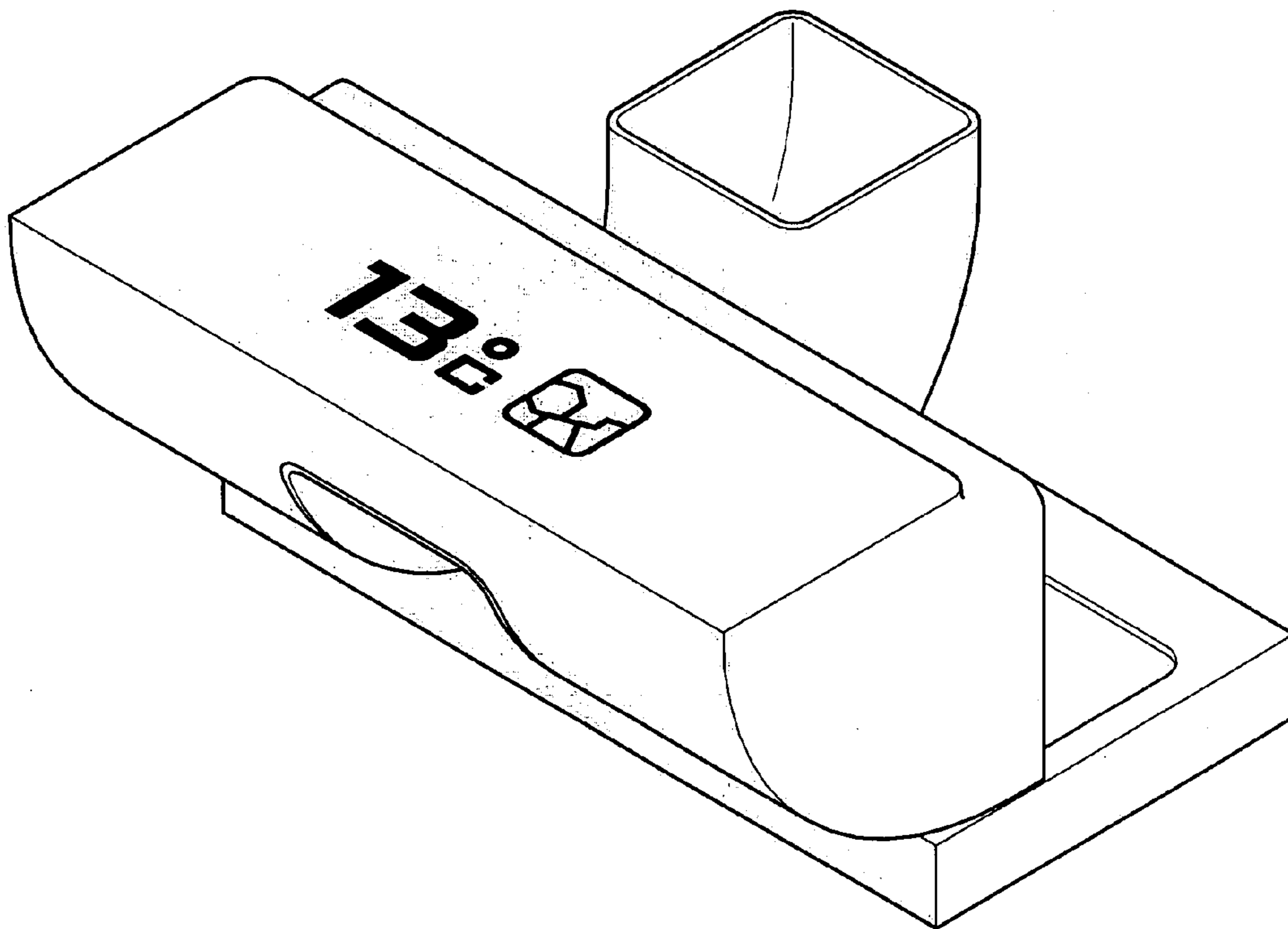


FIG. 9

