

US00D555176S

(12) **United States Design Patent**
Ogawa

(10) **Patent No.:** **US D555,176 S**

(45) **Date of Patent:** **** Nov. 13, 2007**

(54) **SEWING MACHINE**

(75) Inventor: **Mitsuko Ogawa**, Nagoya (JP)

(73) Assignee: **Brother Industries, Ltd.**, Nagoya (JP)

(**) Term: **14 Years**

(21) Appl. No.: **29/255,680**

(22) Filed: **Mar. 13, 2006**

(30) **Foreign Application Priority Data**

Feb. 20, 2006 (JP) 2006-003891

(51) **LOC (8) Cl.** **15-06**

(52) **U.S. Cl.** **D15/69**

(58) **Field of Classification Search** D15/66,
D15/67, 69, 70, 77; 112/2, 78, 154, 475.01
See application file for complete search history.

(56) **References Cited**

U.S. PATENT DOCUMENTS

D307,024 S *	4/1990	Itoh et al.	D15/69
D309,739 S *	8/1990	Itoh et al.	D15/69
D321,518 S *	11/1991	Uchida	D15/69
D338,022 S *	8/1993	Takada et al.	D15/69
D392,294 S *	3/1998	Kato et al.	D15/69
D450,721 S *	11/2001	Kawaguchi	D15/69
D462,368 S *	9/2002	Kuroki	D15/69
D465,793 S *	11/2002	Takada et al.	D15/69
D478,337 S *	8/2003	Kuroki	D15/69

D478,916 S *	8/2003	Kuroki	D15/69
D482,702 S *	11/2003	Kawaguchi	D15/69
D521,534 S *	5/2006	Kawaguchi	D15/70
D524,828 S *	7/2006	Kuroki	D15/69

* cited by examiner

Primary Examiner—Mitchell Siegel

Assistant Examiner—Shanda C. Hill

(74) *Attorney, Agent, or Firm*—Oliff & Berridge, PLC

(57) **CLAIM**

The ornamental design for sewing machine, as shown and described.

DESCRIPTION

FIG. 1 is a perspective view of the first embodiment of a sewing machine showing my new design;

FIG. 2 is a front view thereof;

FIG. 3 is a top view thereof;

FIG. 4 is a right side view thereof;

FIG. 5 is a left side view thereof;

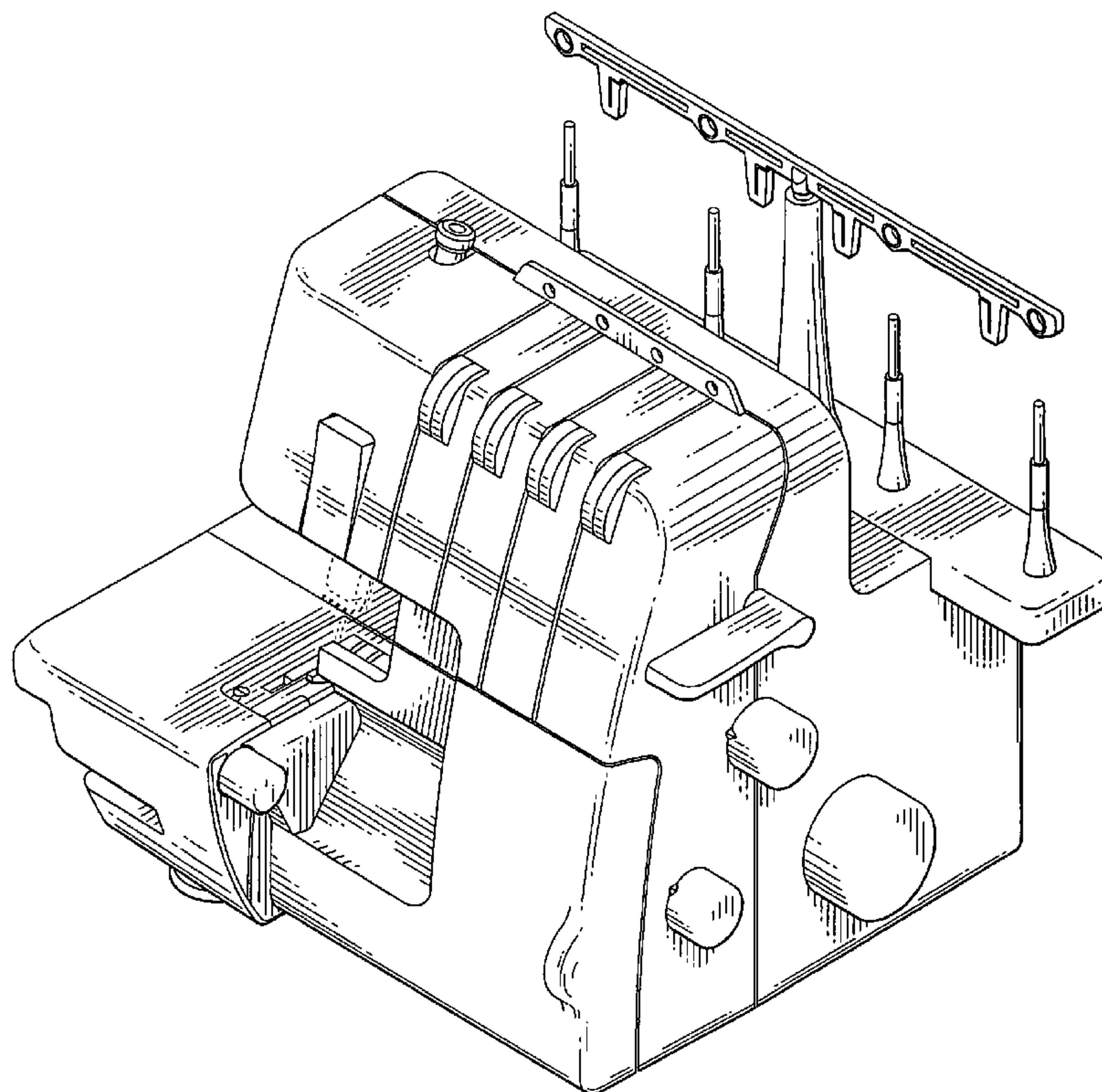
FIG. 6 is a bottom view thereof;

FIG. 7 is a rear view thereof; and,

FIG. 8 is a perspective view of the second embodiment of the sewing machine.

The broken lines are for illustrative purposes only and form no part of the claimed design.

1 Claim, 8 Drawing Sheets



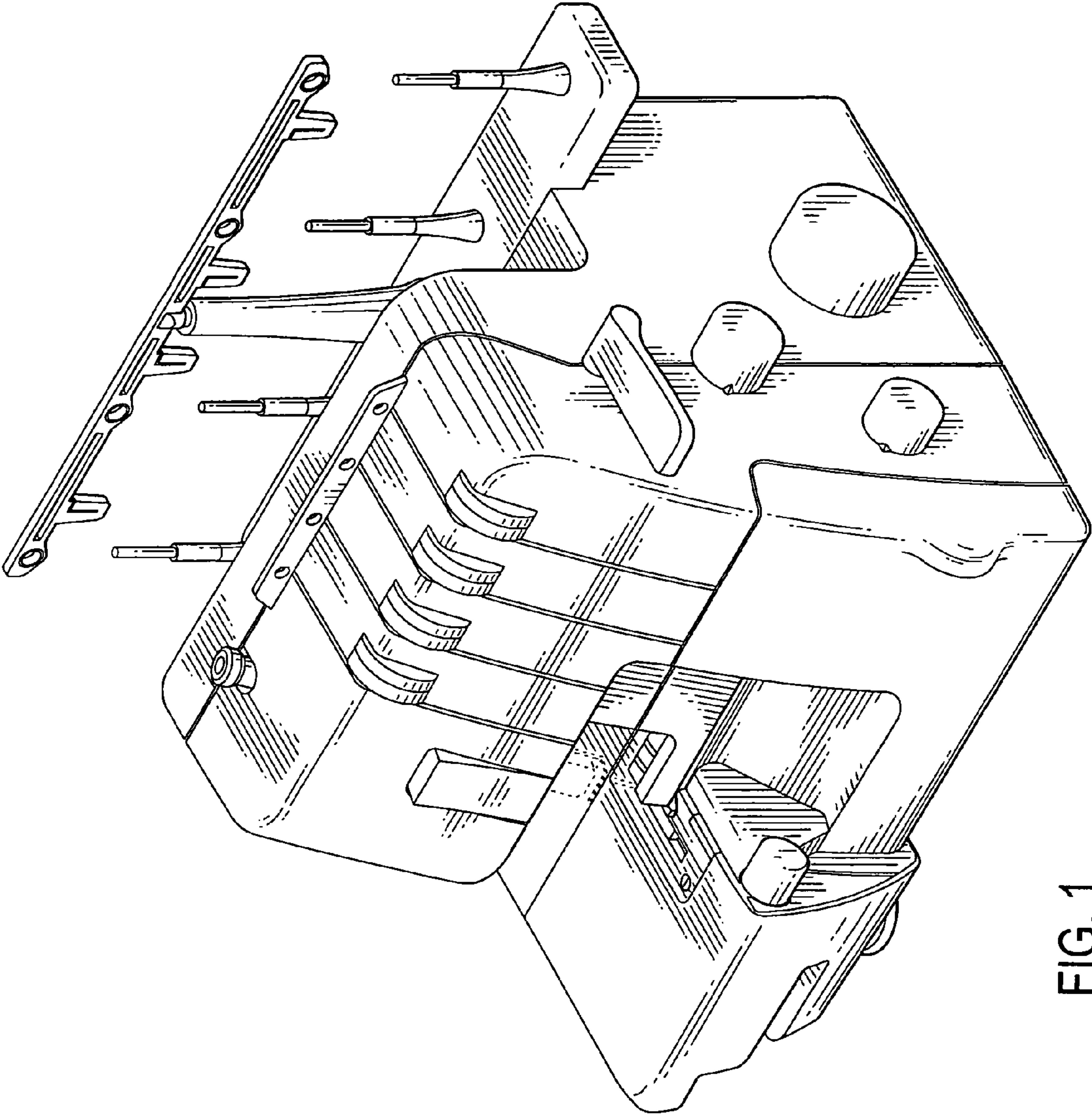


FIG. 1

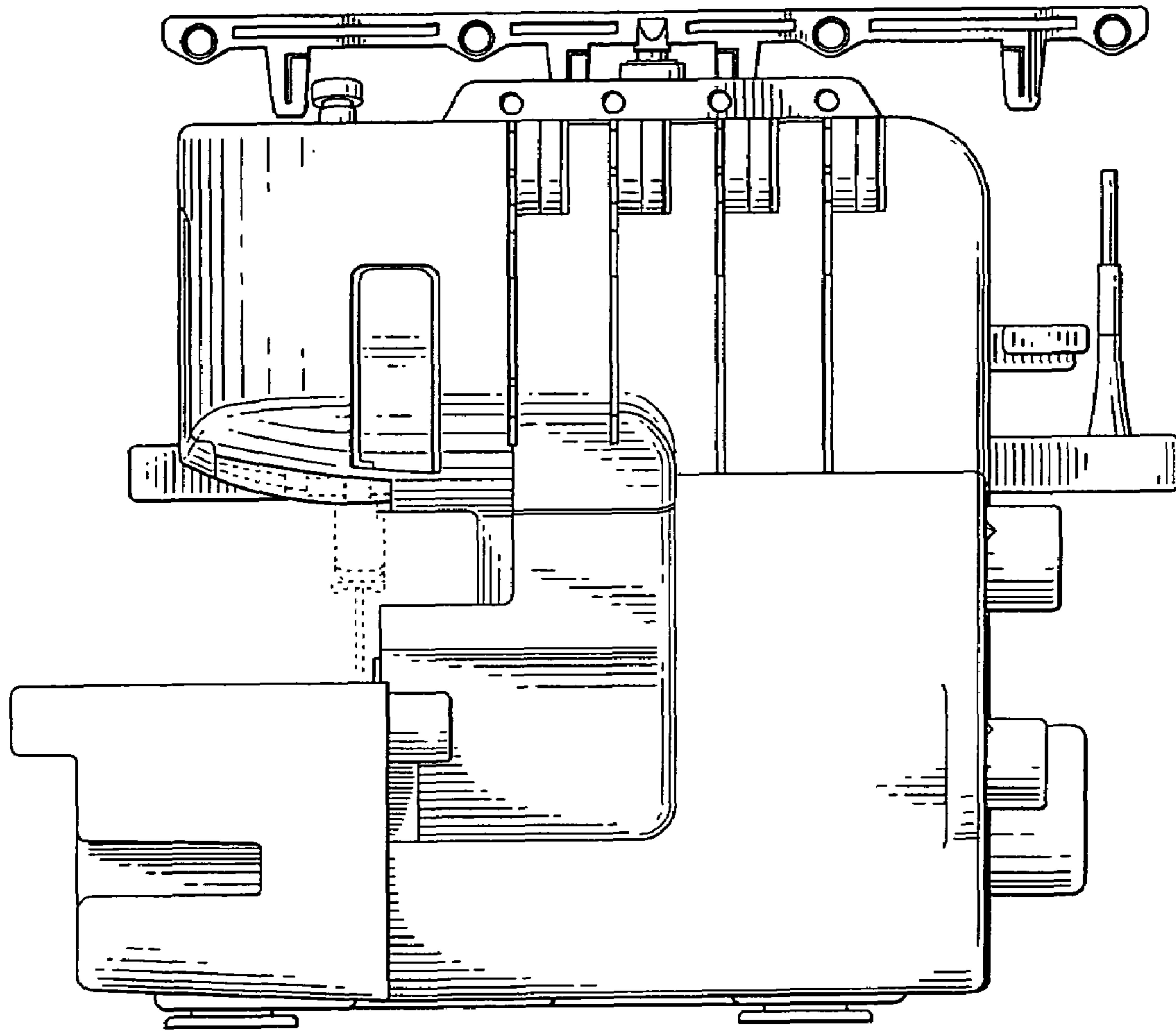


FIG. 2

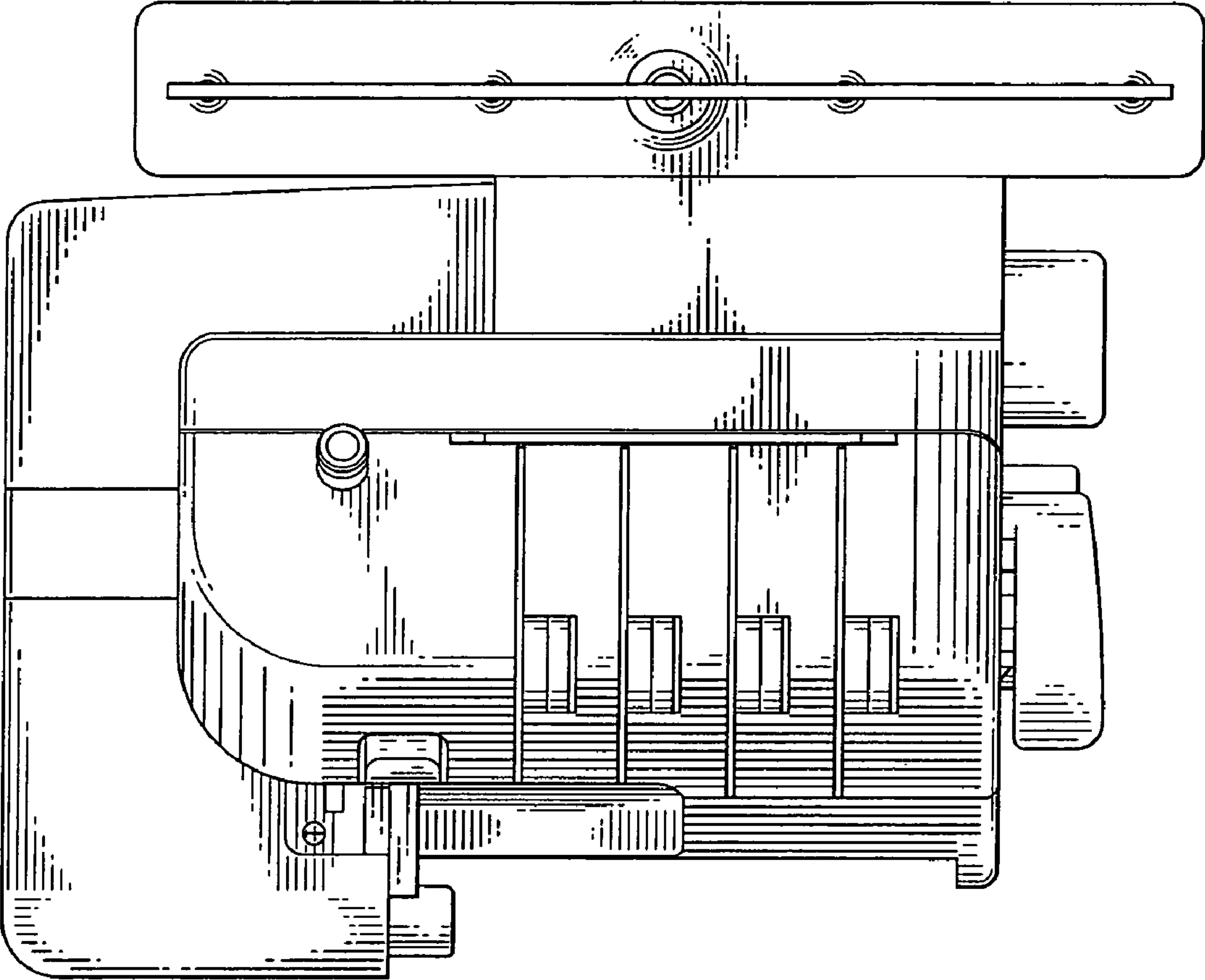


FIG. 3

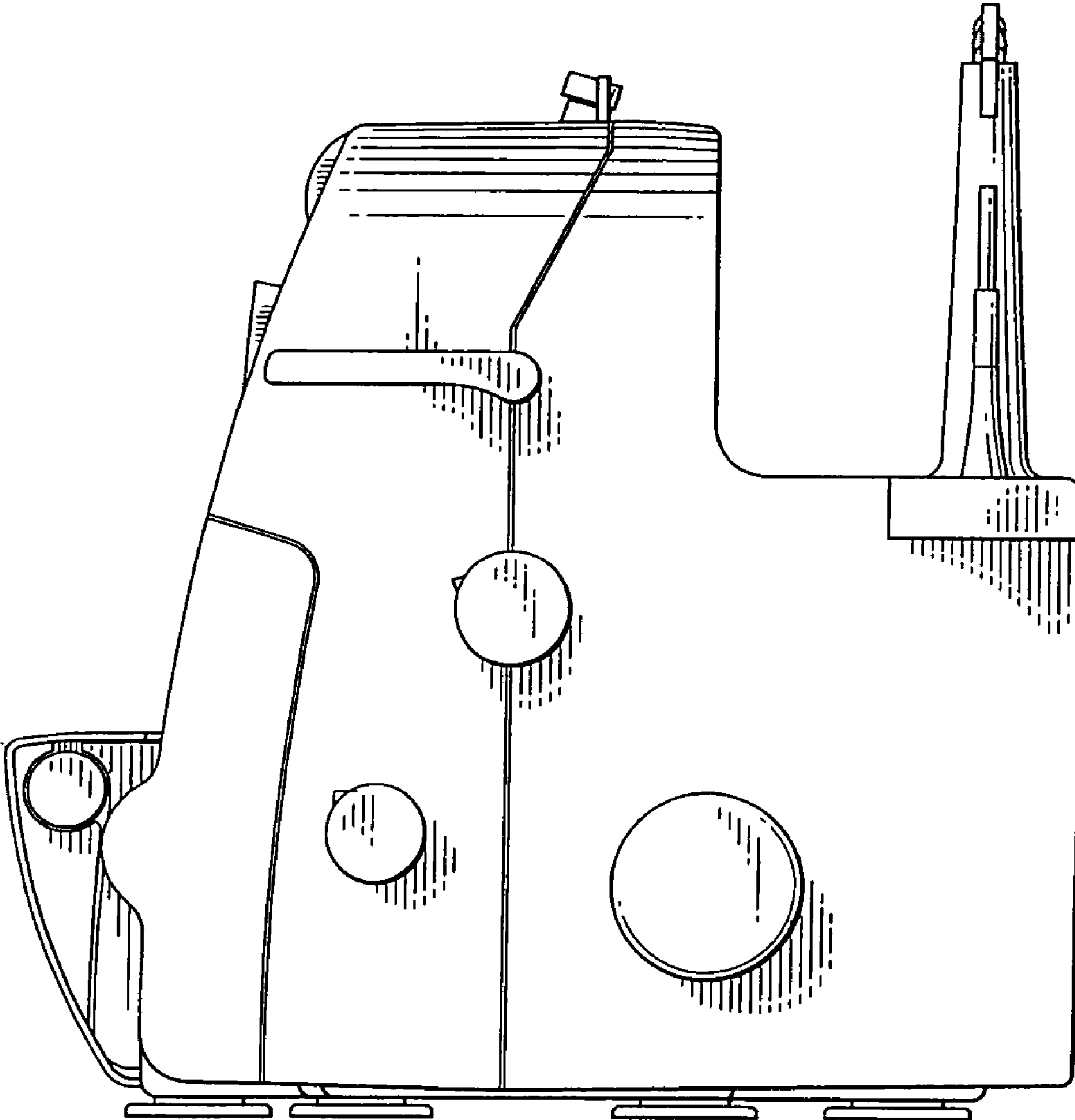


FIG. 4

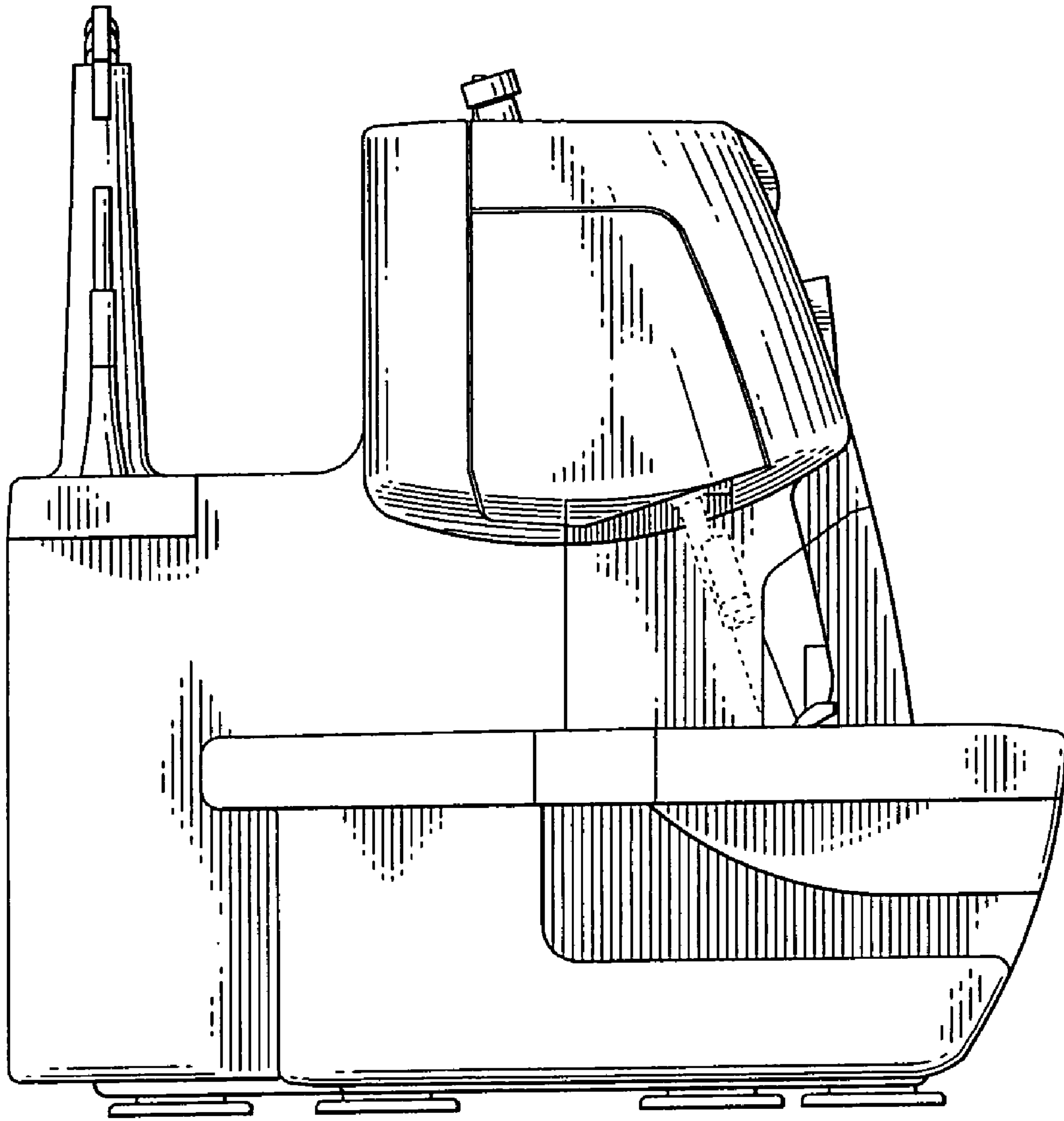


FIG. 5

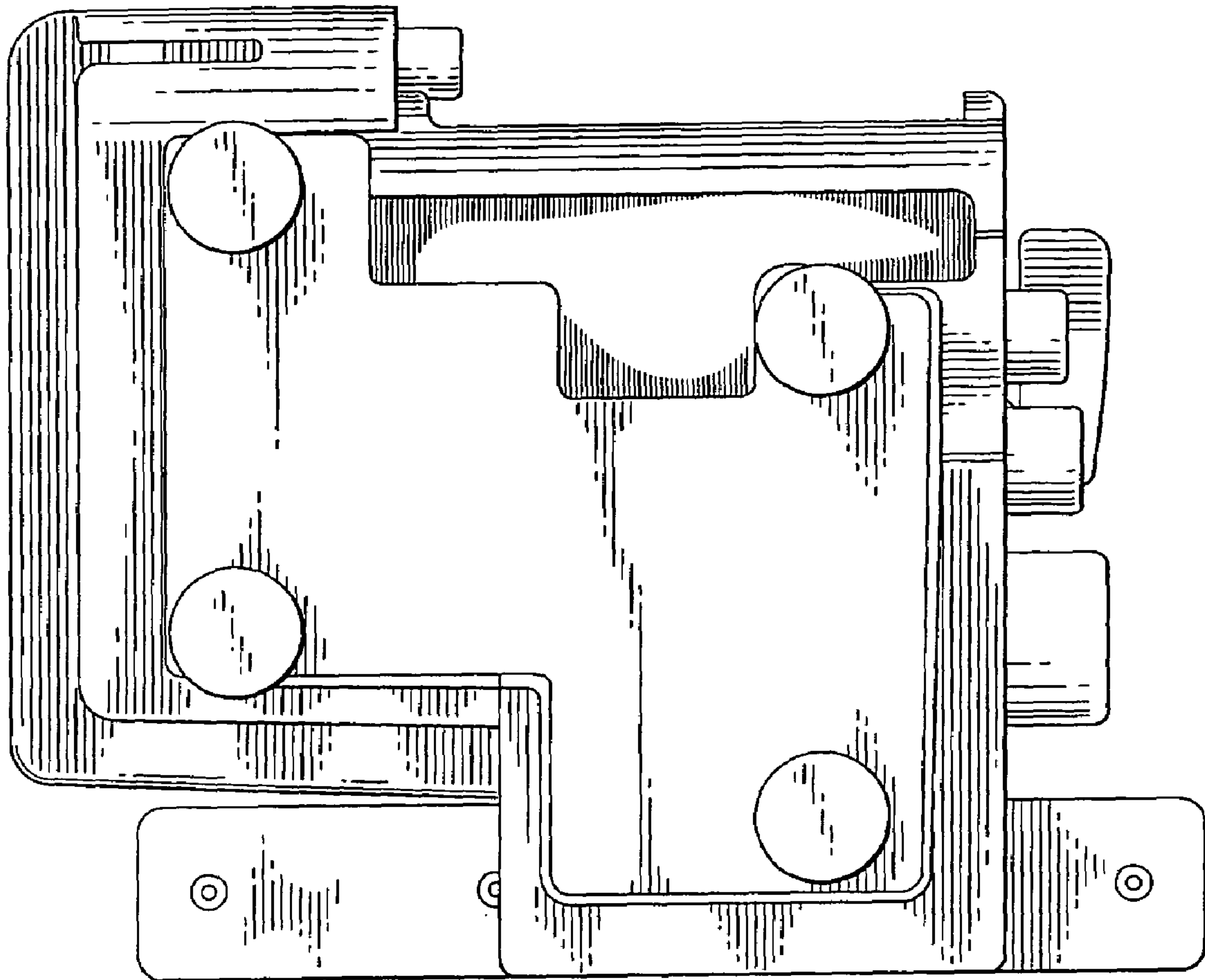


FIG. 6

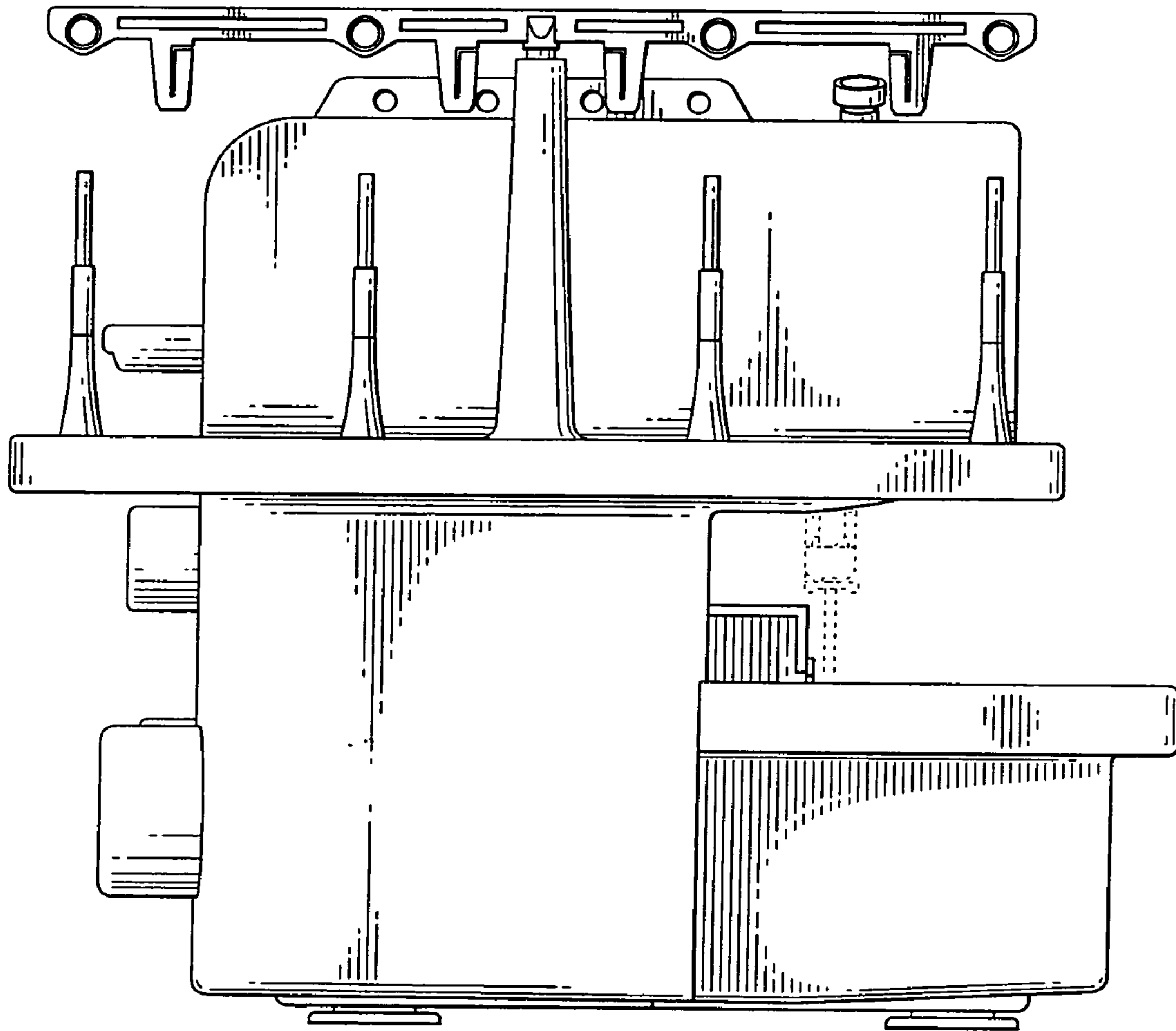


FIG. 7

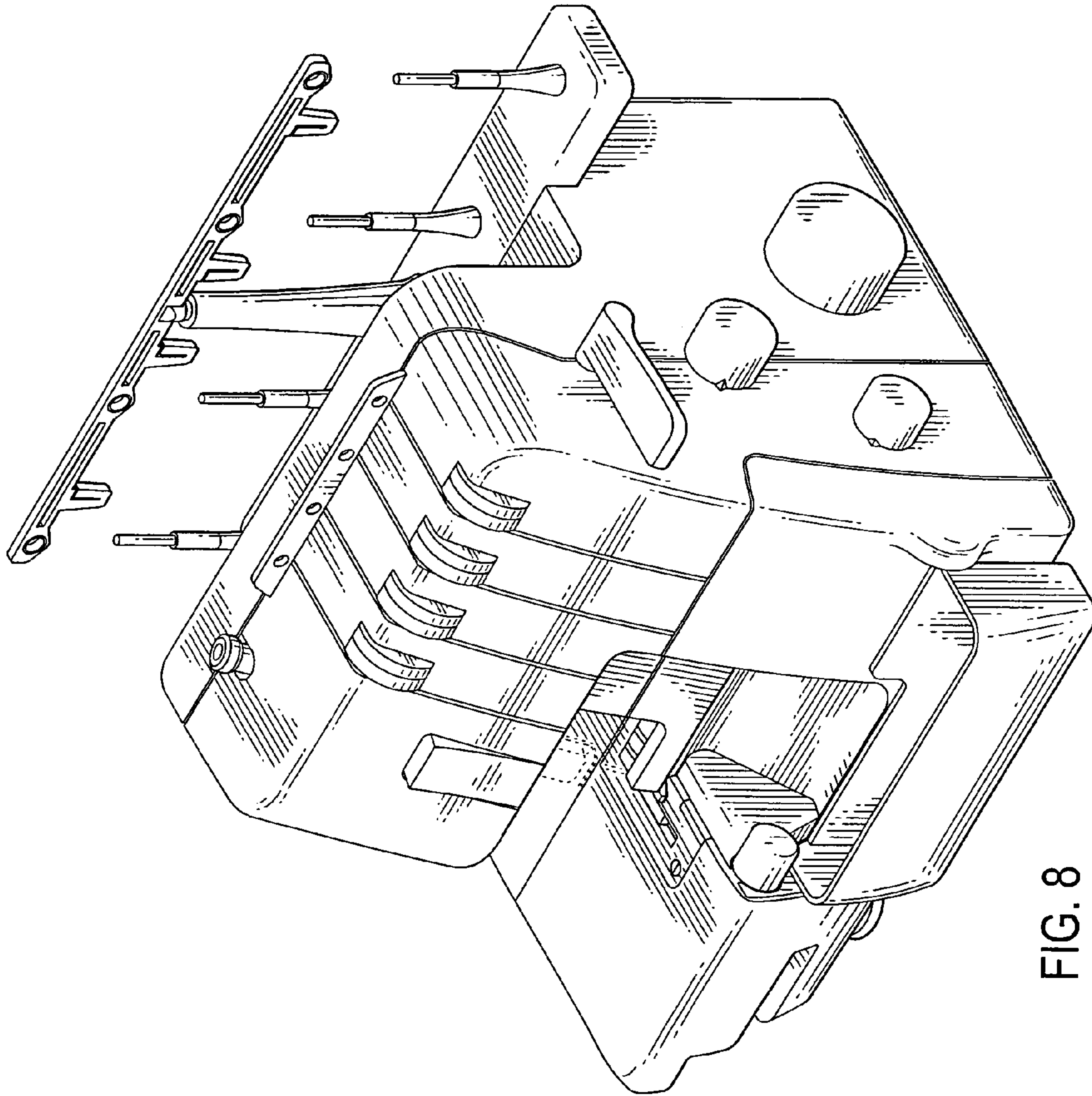


FIG. 8