



US00D555175S

(12) **United States Design Patent**
Shapiro et al.

(10) **Patent No.:** **US D555,175 S**

(45) **Date of Patent:** **** Nov. 13, 2007**

(54) **WEAR GUARD**

(75) Inventors: **Edward Shapiro**, Toronto (CA); **Craig Kack**, Acton (CA)

(73) Assignee: **Industrial Tires Limited**, Mississauga, Ontario (CA)

(**) Term: **14 Years**

(21) Appl. No.: **29/245,888**

(22) Filed: **Dec. 30, 2005**

(51) **LOC (8) Cl.** **15-03**

(52) **U.S. Cl.** **D15/28**

(58) **Field of Classification Search** D15/22-26,
D15/28, 29, 32, 11; 293/38; 15/248, 98,
15/245; 414/722; 172/772.5, 719, 772;
198/509; 37/264, 233, 266

See application file for complete search history.

(56) **References Cited**

U.S. PATENT DOCUMENTS

4,128,132	A *	12/1978	Moen et al.	172/747
4,141,160	A *	2/1979	Olson	37/460
5,012,599	A *	5/1991	DeClair et al.	37/444
5,056,243	A *	10/1991	Sprunger et al.	37/453
5,471,770	A *	12/1995	Ferreira	37/264
5,497,569	A *	3/1996	Byman	37/410
5,611,157	A *	3/1997	Ferreira	37/449
5,741,112	A *	4/1998	Lakin et al.	414/722
6,003,617	A *	12/1999	McSweeney et al.	172/719
6,230,424	B1 *	5/2001	Renski et al.	37/446

OTHER PUBLICATIONS

Schuyler Rubber Company: Innovative products from scrap tires, News Link, Fall 2003, 2 pages.

<http://mm1.wastenews.com/productarc2.html?pcat=Buckets;> 2 pages dated Nov. 11, 2005.

<http://news.thomasnet.com/fullstory/25441;> 2 pages dated Nov. 11, 2005.

[http://www.schuylerrubber.com/scrapers_pics.html,](http://www.schuylerrubber.com/scrapers_pics.html) 8 pages dated Nov. 11, 2005.

[http://www.schuylerrubber.com/new_press_scraper.html,](http://www.schuylerrubber.com/new_press_scraper.html) 3 pages dated Nov. 11, 2005.

Schuyler Rubber Co., Woodinville, WA, Product Information Sheet for Rubber Cutting Edge, Large Wheel Loaders, Pushing Operations, Model 911B [online], Retrieved from the Internet: [http://www.schuylerrubber.com/cuttingedge/modelB.pdf,](http://www.schuylerrubber.com/cuttingedge/modelB.pdf) Nov. 4, 2005.

Schuyler Rubber Co., Woodinville, WA, Product Information Sheet for Rubber Cutting Edge, Large Wheel Loaders, Pushing/Scooping Operations, Model 911R [online], Retrieved from the Internet: [http://www.schuylerrubber.com/cuttingedge/modelR.pdf,](http://www.schuylerrubber.com/cuttingedge/modelR.pdf) Nov. 4, 2005.

(Continued)

Primary Examiner—Stella Reid

Assistant Examiner—Mark Goodwin

(74) *Attorney, Agent, or Firm*—Woodard, Emhardt, Moriarty, McNett & Henry LLP

(57) **CLAIM**

The ornamental design for a wear guard, as shown and described.

DESCRIPTION

FIG. 1 is a top front left perspective view of a wear guard showing our new design.

FIG. 2 is a left side elevational view thereof, the right side elevational view being a mirror image thereof.

FIG. 3 is a top plan view thereof.

FIG. 4 is a front elevational view thereof.

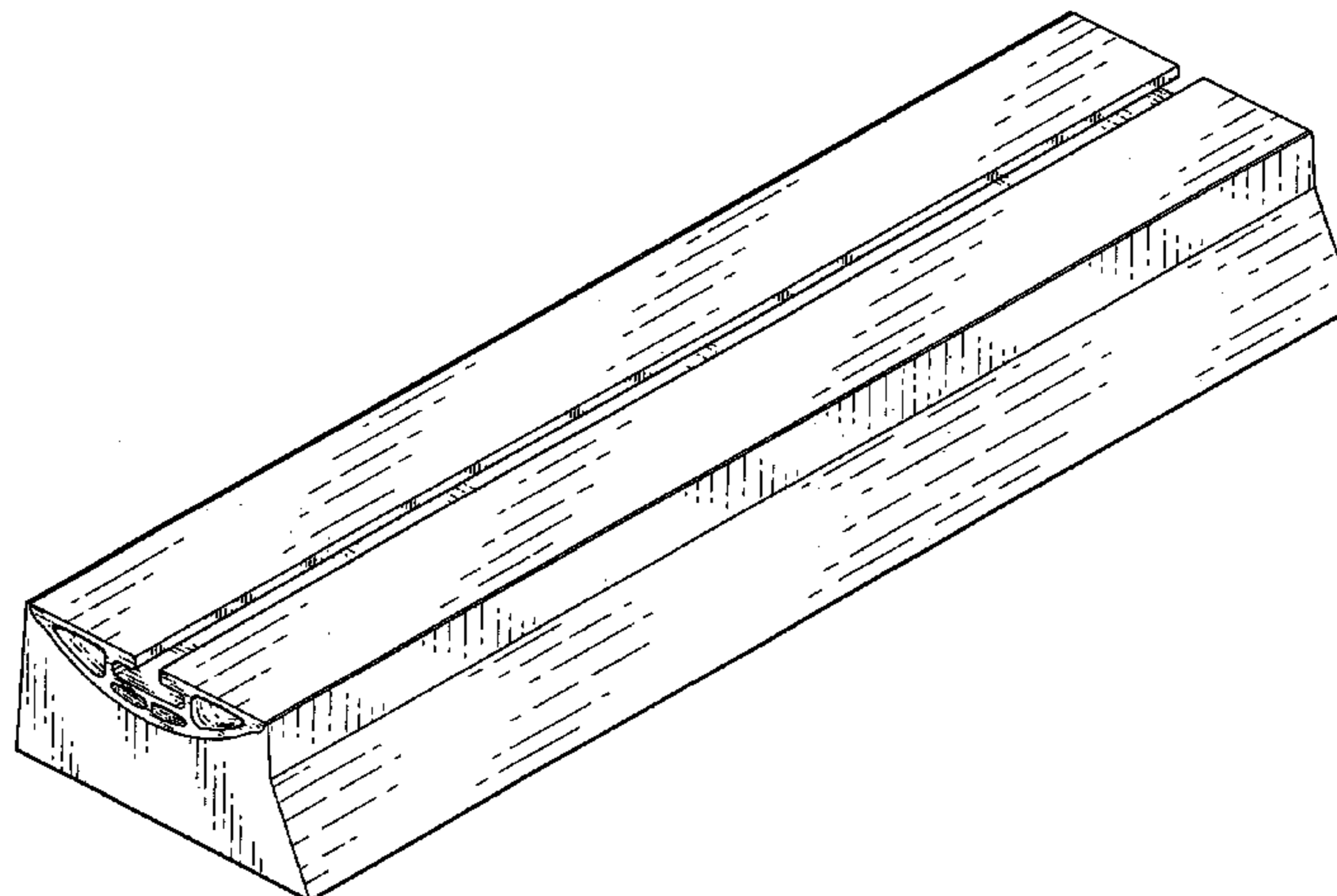
FIG. 5 is a rear elevational view thereof.

FIG. 6 is a bottom plan view thereof; and,

FIG. 7 is a top front right perspective view of the wear guard shown in use condition.

The broken line showing in FIG. 7 of the bucket and additional of wear guards is included for the purpose of illustrating environment and forms no part of the claimed design.

1 Claim, 5 Drawing Sheets



OTHER PUBLICATIONS

Schuyler Rubber Co., Woodinville, WA, Product Information Sheet for Rubber Cutting Edge, Skidsteers and Small Loaders/Backhoes, Model 911S [online], Retrieved from the Internet: <http://www.schuylerrubber.com/cuttingedge/modelS.pdf>, Nov. 4, 2005.

Schuyler Rubber Co., Woodinville, WA, Product Information Sheet for Rubber Cutting Edge, Mid-size Wheel Loaders/Backhoes, Scooping Operations, Model 911T [online], Retrieved from the

Internet: <http://www.schuylerrubber.com/cuttingedge/modelT.pdf>, Nov. 4, 2005.

Schuyler Rubber Co., Woodinville, WA, Product Information Sheet for Schuyler Rubber Bucket Scraper with Easy Slide T-Track Adjustable Channel, Design Specifications, Retrieved from the Internet: <http://www.schuylerrubber.com/scrapers.html>, Jun. 18, 2003.

* cited by examiner

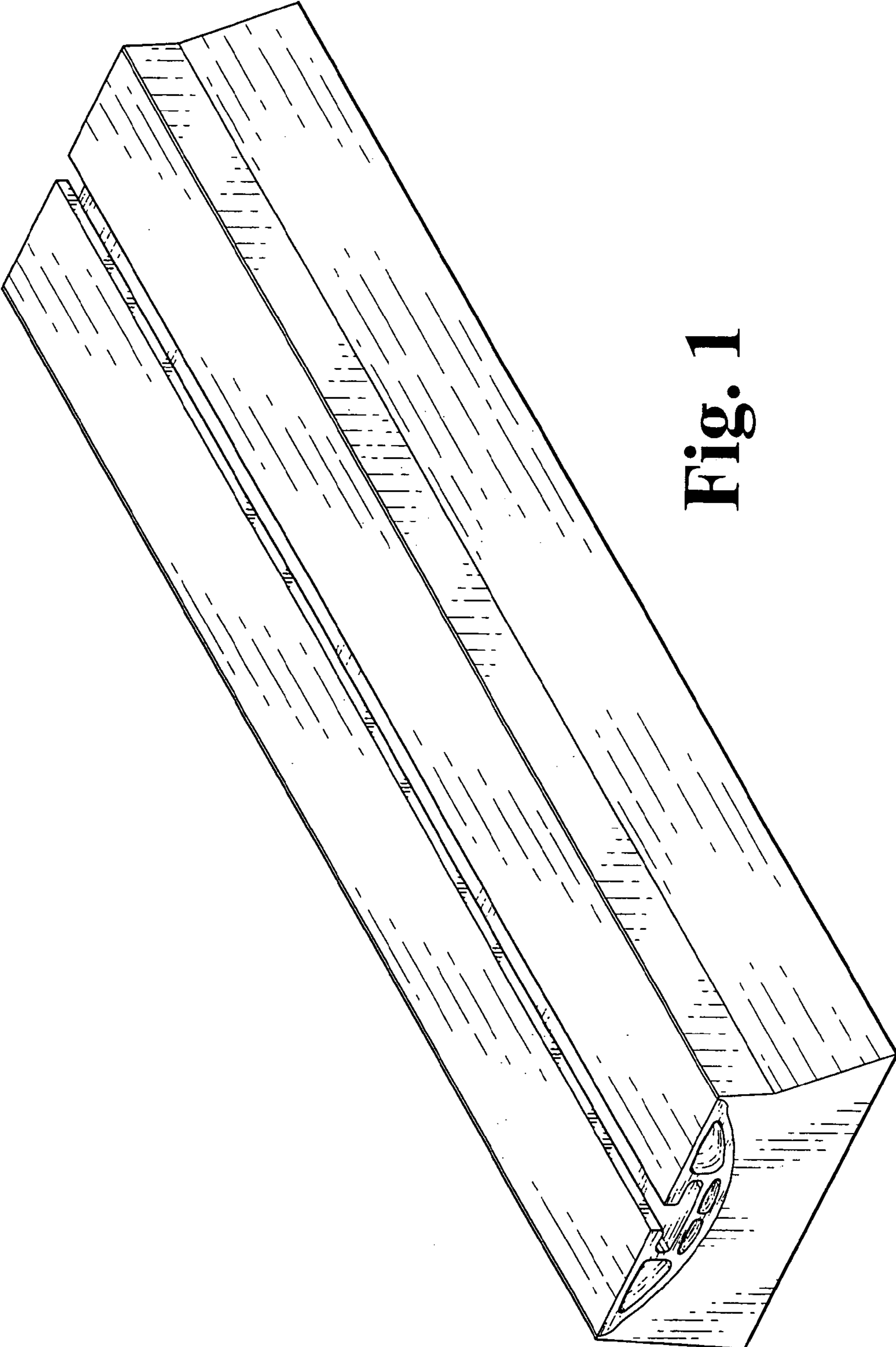


Fig. 1

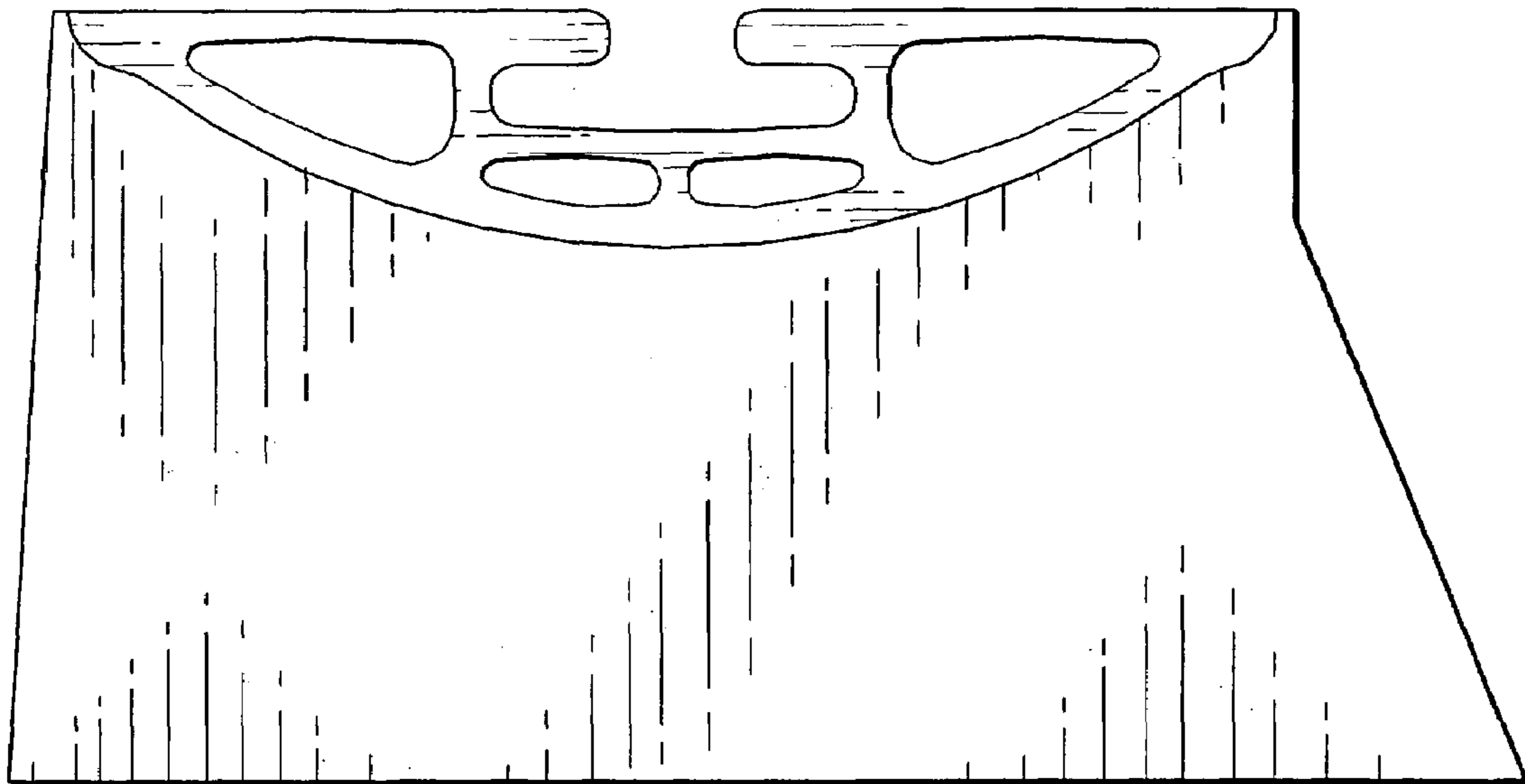


Fig. 2

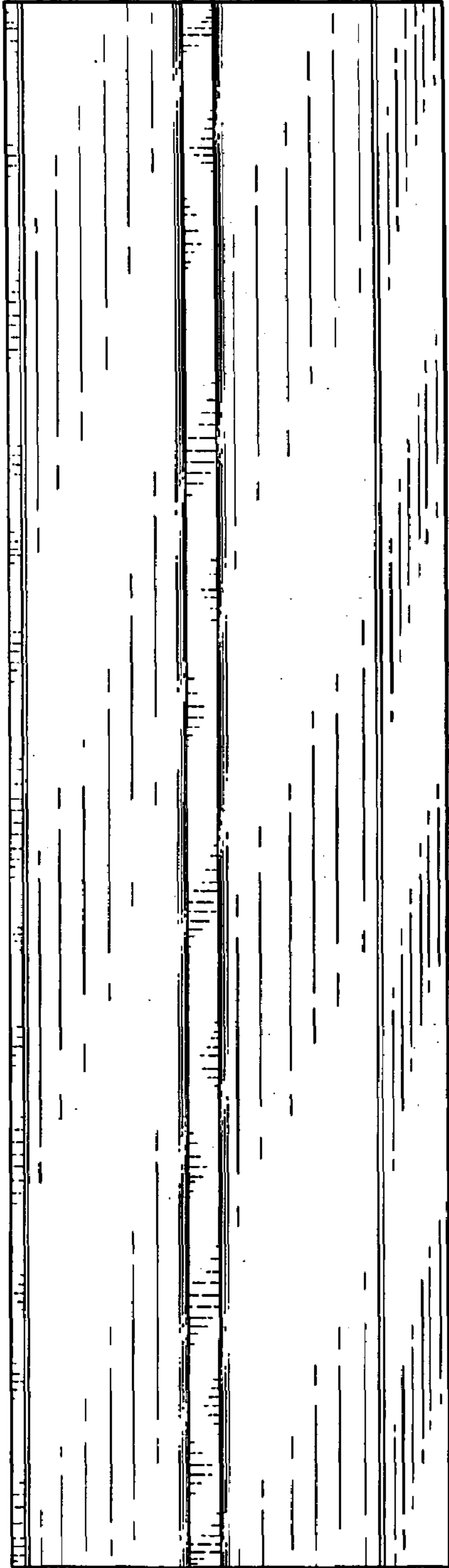


Fig. 3

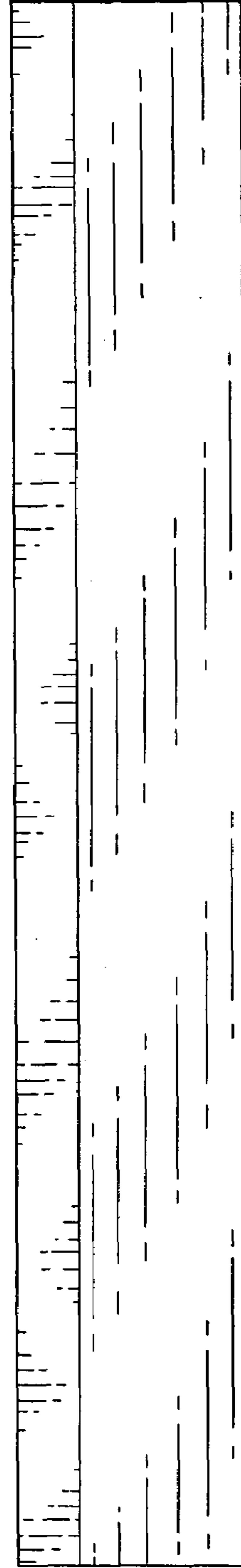


Fig. 4

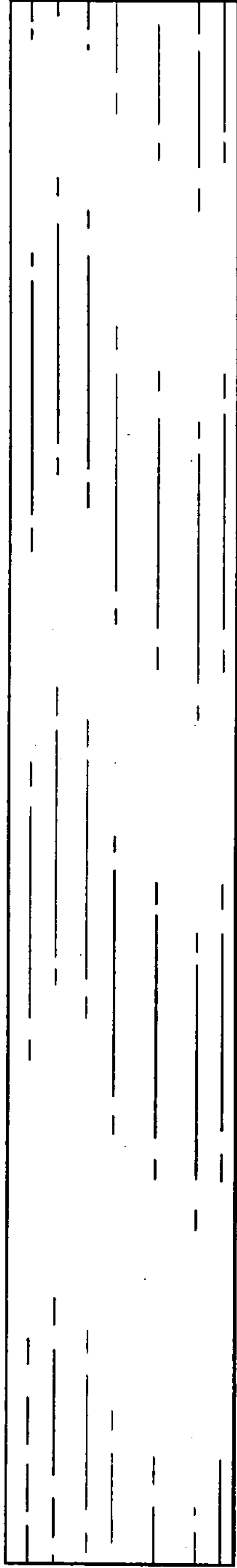


Fig. 5

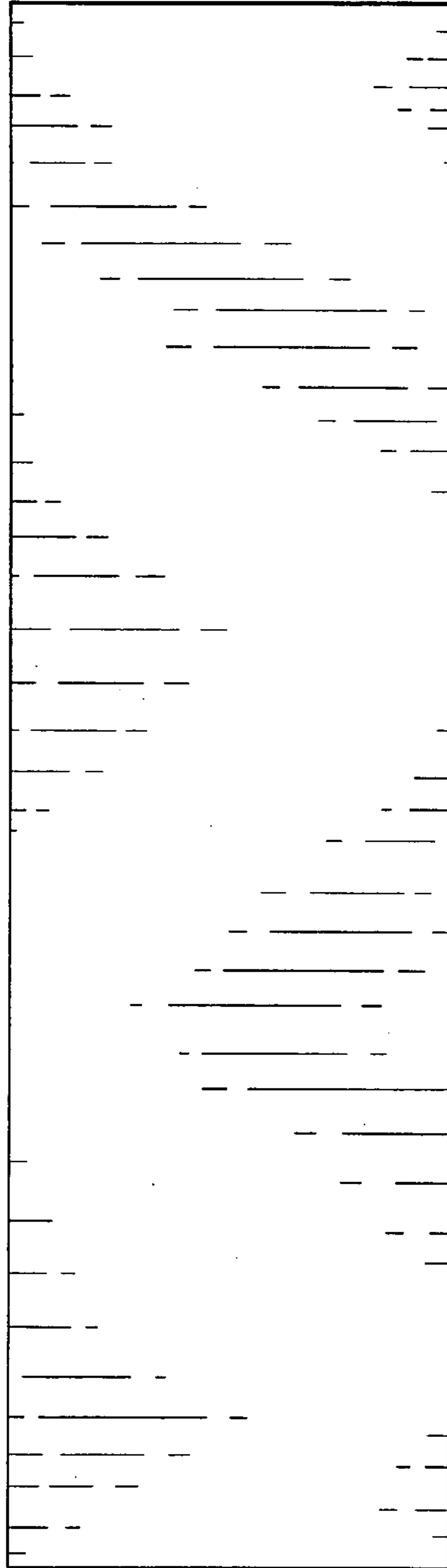


Fig. 6

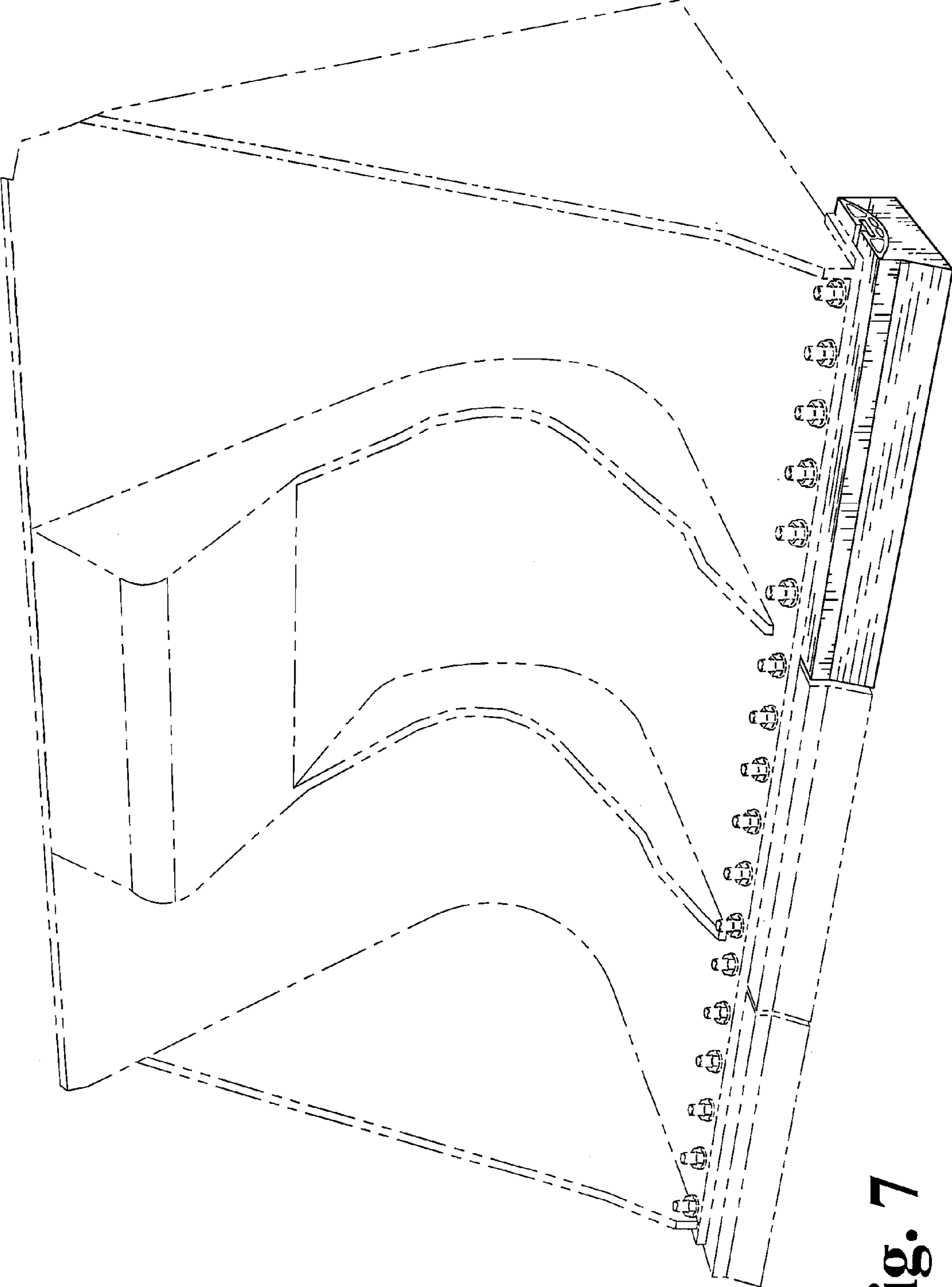


Fig. 7