



US00D555174S

(12) **United States Design Patent**  
**Hwang**

(10) **Patent No.:** **US D555,174 S**

(45) **Date of Patent:** **\*\* Nov. 13, 2007**

(54) **COMPRESSOR COVER FOR AUTOMOBILES**

(75) Inventor: **Young Ki Hwang**, Seoul (KR)

(73) Assignee: **Y.K. Co., Ltd.**, Kyongsangnam-Do (KR)

(\*\*) Term: **14 Years**

(21) Appl. No.: **29/266,424**

(22) Filed: **Sep. 20, 2006**

(51) **LOC (8) Cl.** ..... **15-02**

(52) **U.S. Cl.** ..... **D15/9**

(58) **Field of Classification Search** ..... D15/7-9;  
D23/232, 231; 417/359, 415-416, 410.1,  
417/321, 265, 405

See application file for complete search history.

(56) **References Cited**

**U.S. PATENT DOCUMENTS**

D441,378 S *	5/2001	Kou	.....	D15/9
D456,423 S *	4/2002	Kanou et al.	.....	D15/9
D460,460 S *	7/2002	Kayukawa et al.	.....	D15/9
D462,364 S *	9/2002	Fujita et al.	.....	D15/9
D466,524 S *	12/2002	Makino et al.	.....	D15/9
D466,526 S *	12/2002	Fujii et al.	.....	D15/9
D470,155 S *	2/2003	Makino et al.	.....	D15/9
D479,534 S *	9/2003	Shiina	.....	D15/9

D537,452 S *	2/2007	Chu	.....	D15/9
D537,843 S *	3/2007	Chu	.....	D15/9
D538,301 S *	3/2007	Chu	.....	D15/9
D540,823 S *	4/2007	An	.....	D15/9

\* cited by examiner

*Primary Examiner*—Ralf Seifert

(74) *Attorney, Agent, or Firm*—Ladas and Parry LLP

(57) **CLAIM**

I claim the ornamental design for a compressor cover for automobiles, as shown and described.

**DESCRIPTION**

FIG. 1 is a perspective view as seen from the top, front, and left side of a compressor cover for automobiles showing my new design;

FIG. 2 is a front elevational view thereof;

FIG. 3 is a rear elevational view thereof;

FIG. 4 is a left side elevational view thereof;

FIG. 5 is a right side elevational view thereof;

FIG. 6 is a top plan view thereof;

FIG. 7 is a bottom plan view thereof; and,

FIG. 8 is a perspective view thereof as seen from the top, rear, and left side.

**1 Claim, 8 Drawing Sheets**

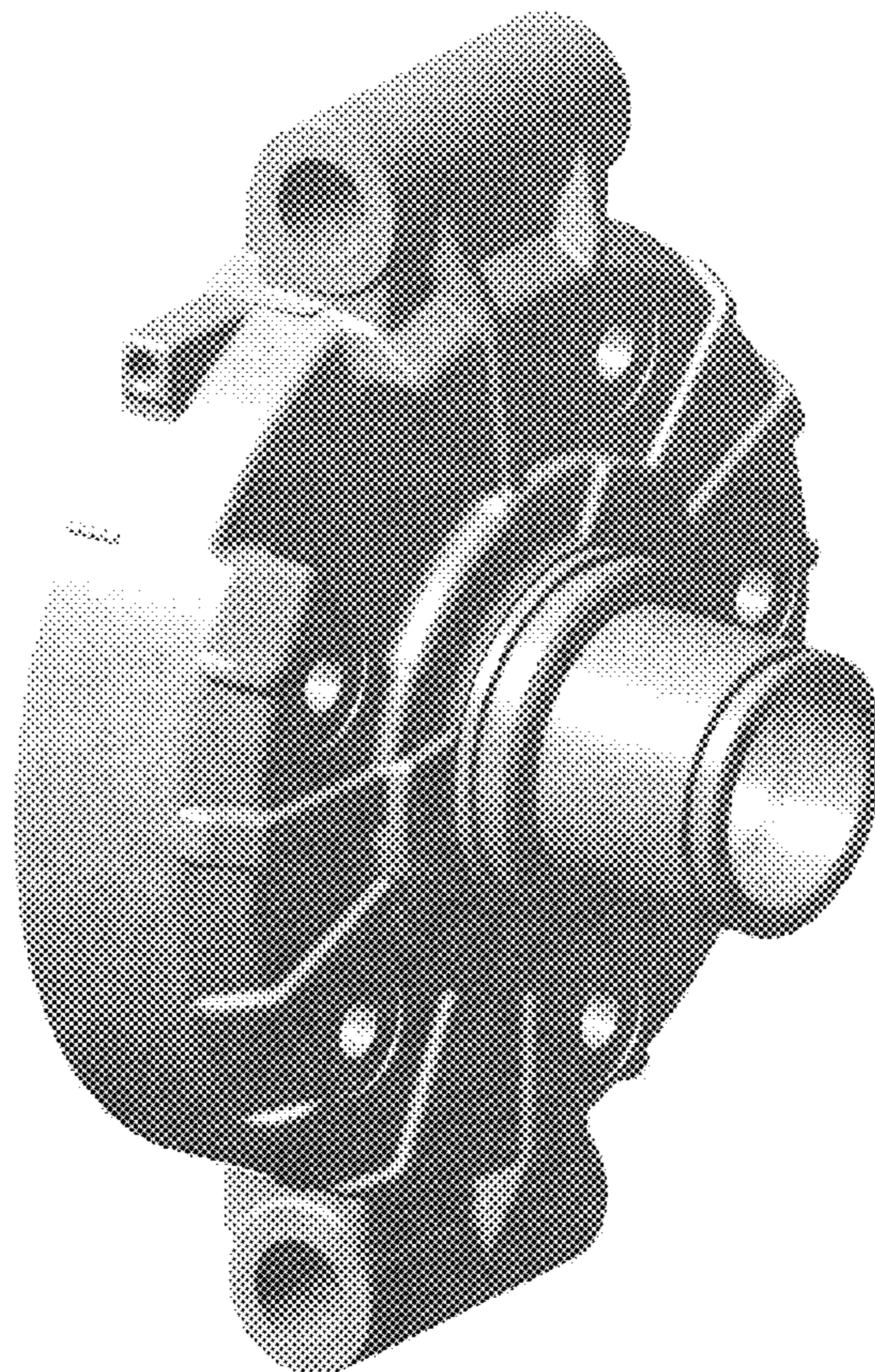


FIG. 1

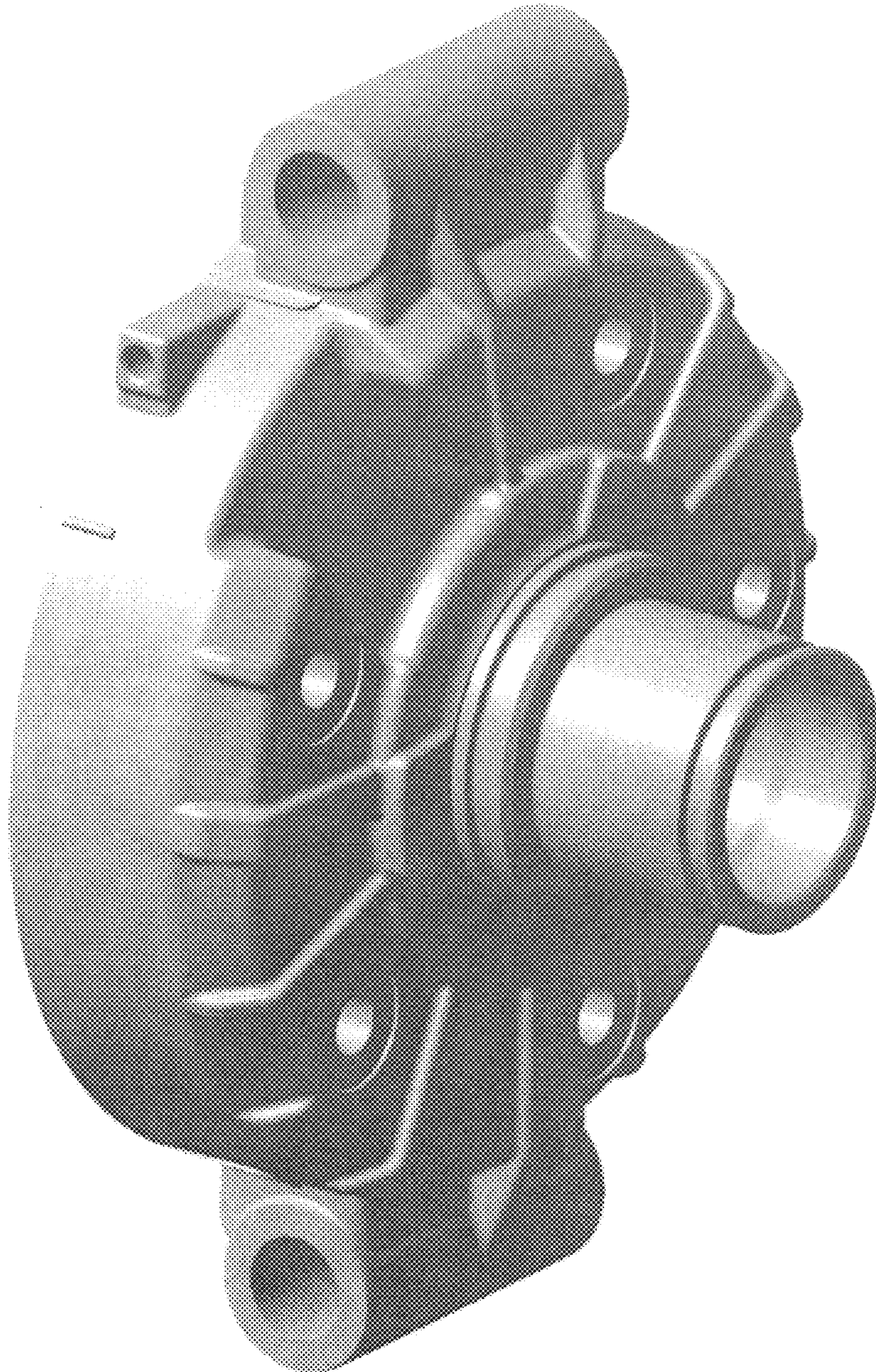


FIG. 2

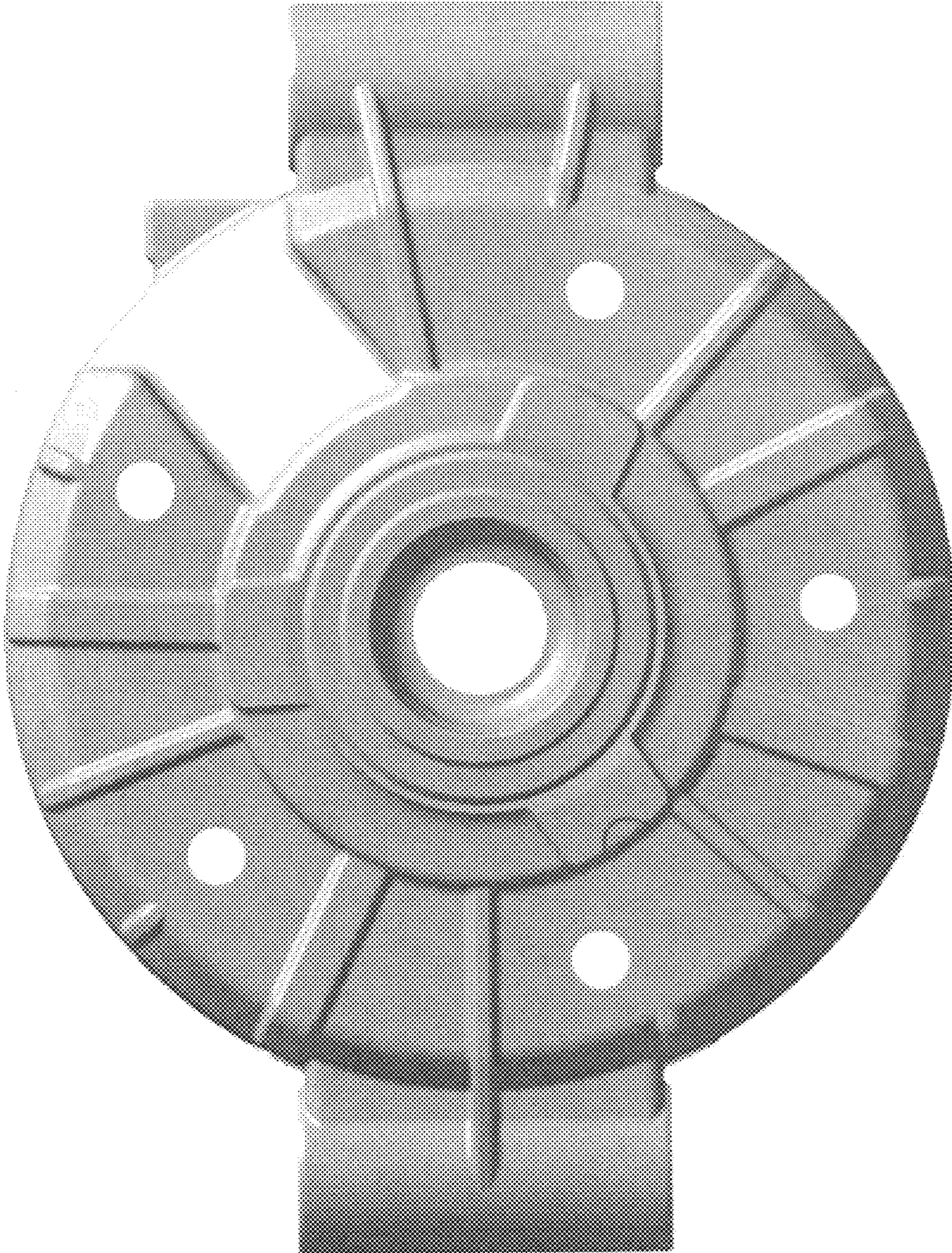


FIG. 3

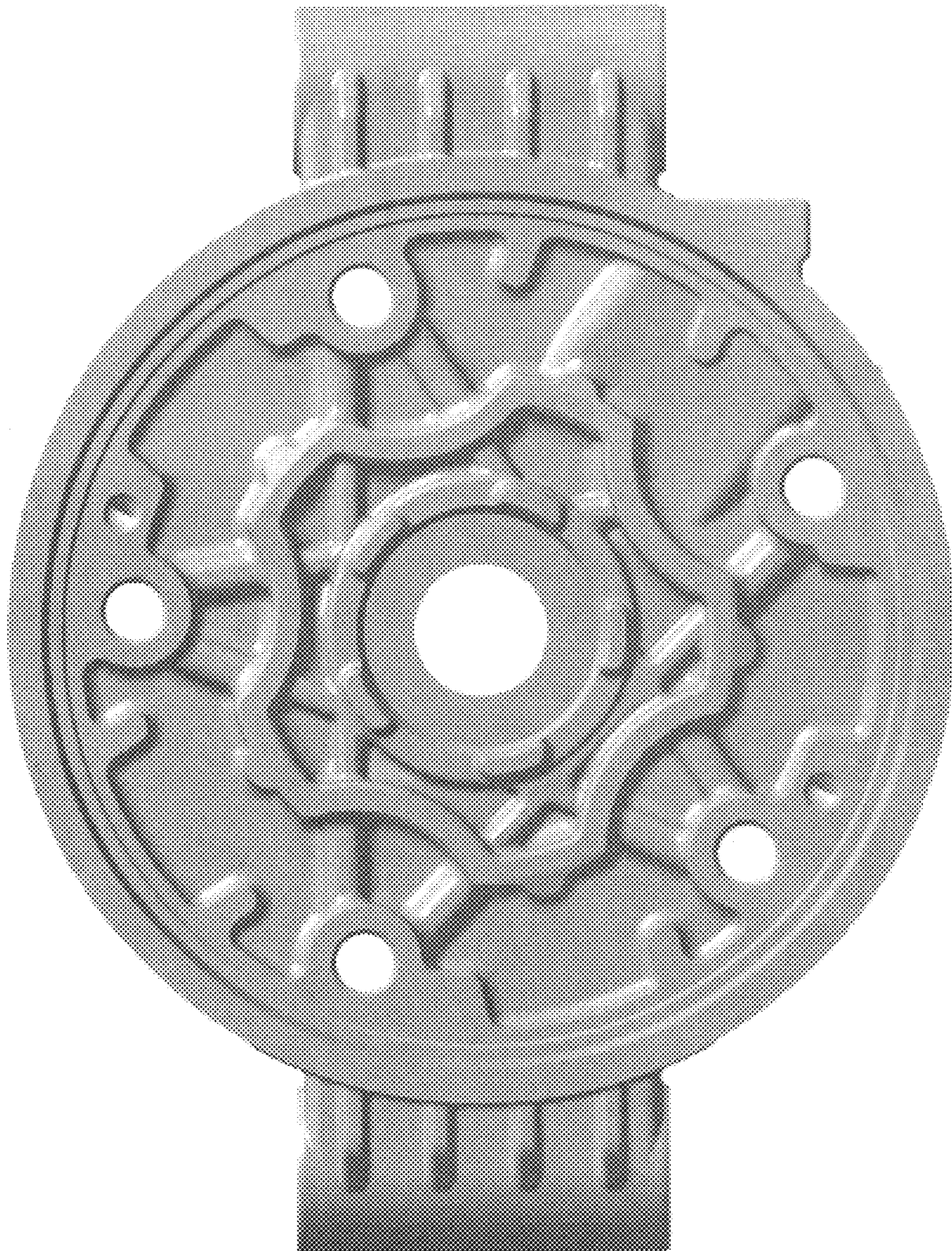


FIG. 4

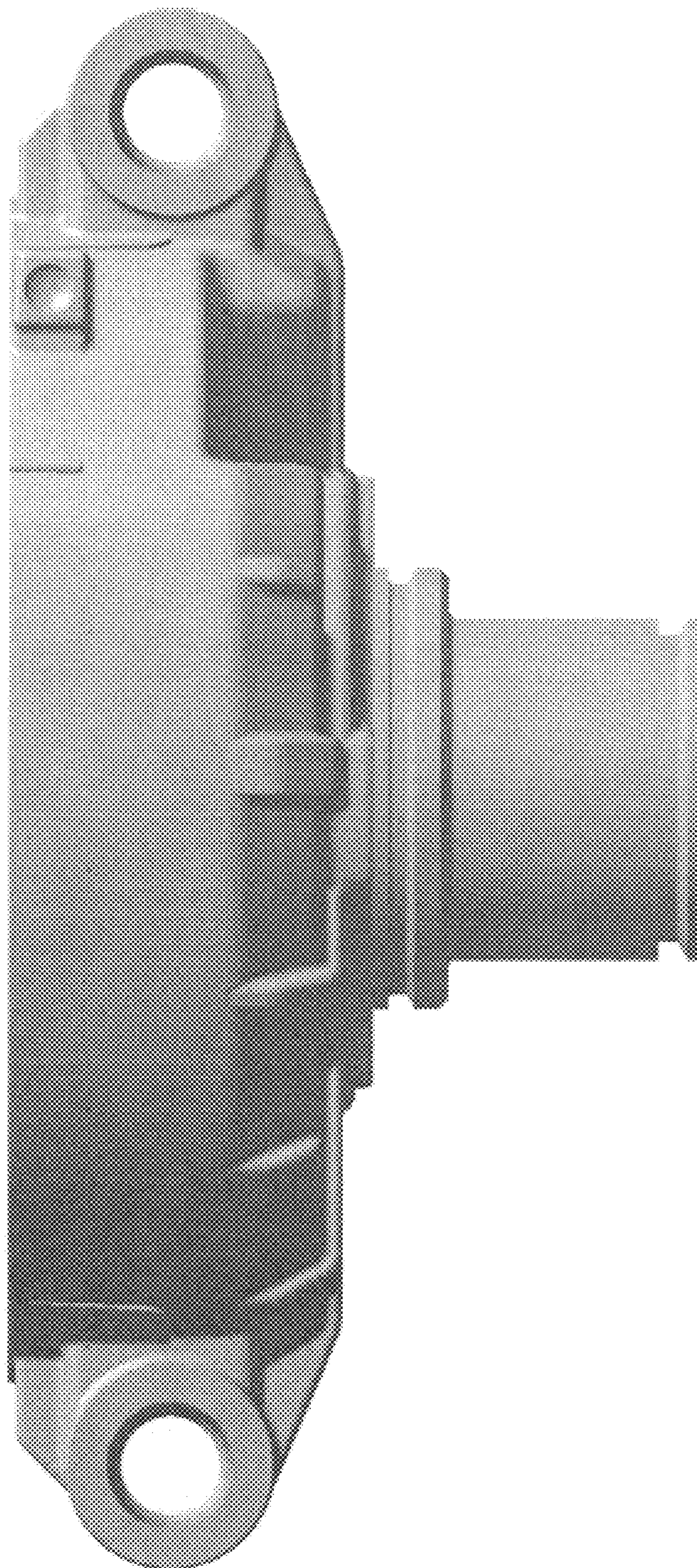


FIG. 5

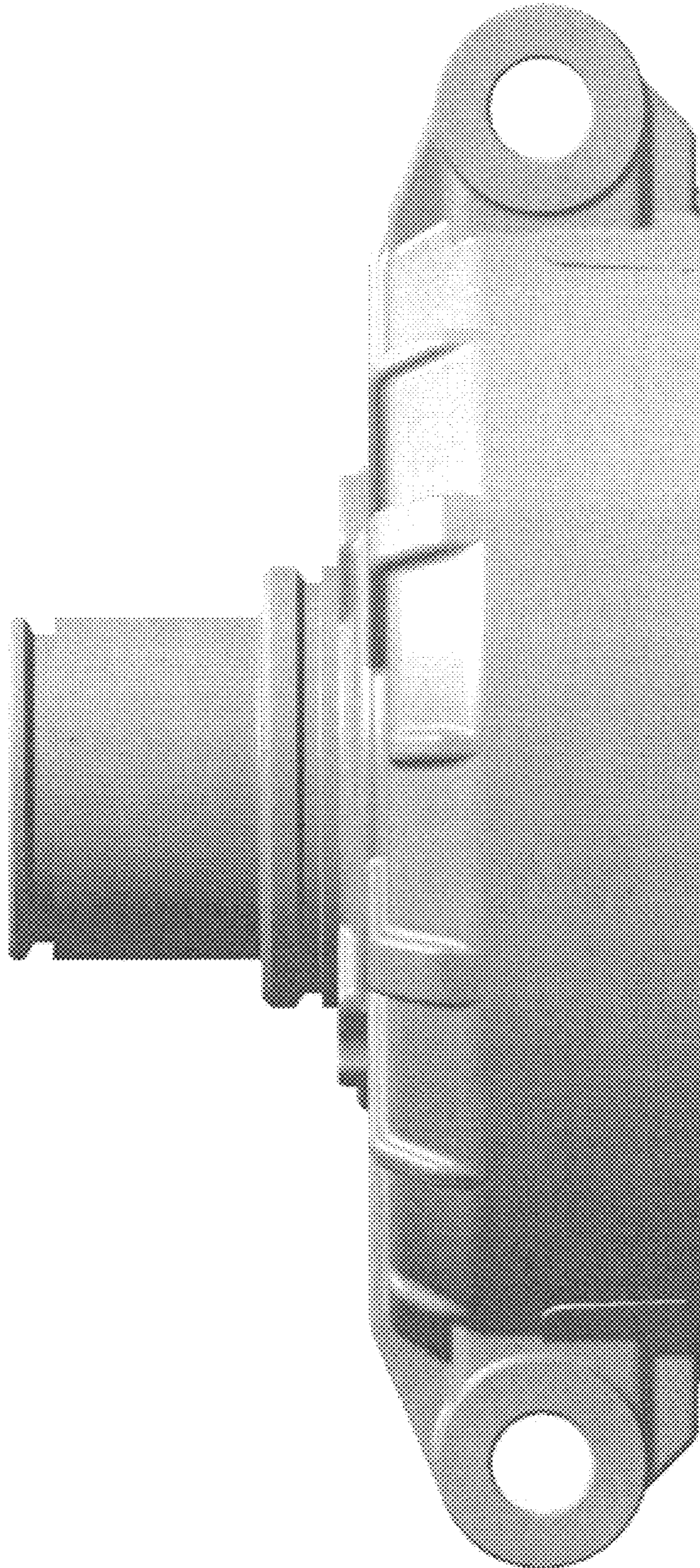


FIG. 6

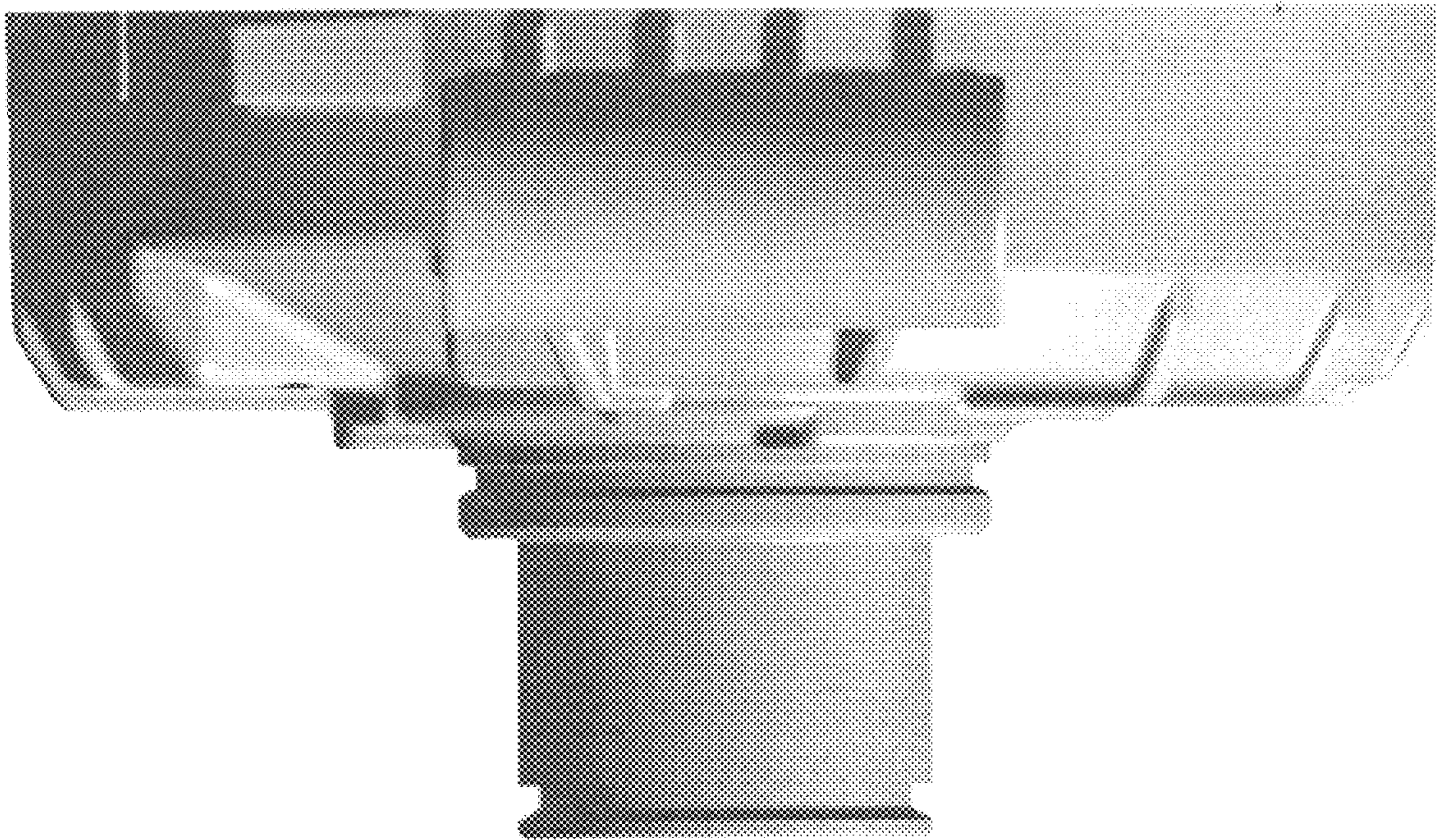


FIG. 7

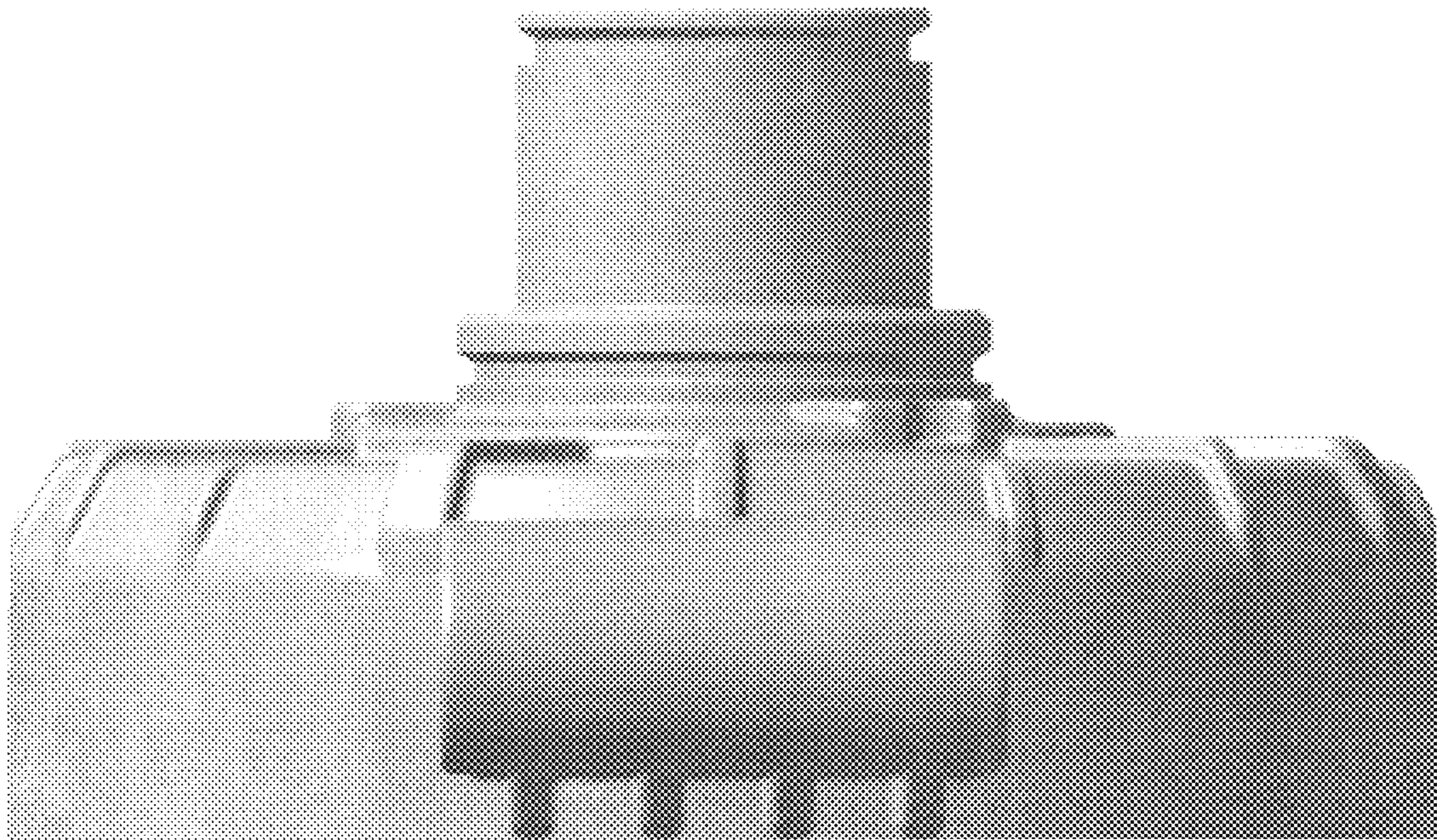




FIG. 8

