



US00D555168S

(12) **United States Design Patent**
Lin

(10) **Patent No.:** **US D555,168 S**

(45) **Date of Patent:** **** Nov. 13, 2007**

(54) **MULTIMEDIA VIDEO AND AUDIO PLAYING DEVICE**

(75) **Inventor:** **Chung-Hung Lin**, Syuojia Township,
Tainan County (TW)

(73) **Assignee:** **Jow Tong Technology Co., Ltd.**,
Tainan Hsien (TW)

(**) **Term:** **14 Years**

(21) **Appl. No.:** **29/267,904**

(22) **Filed:** **Oct. 25, 2006**

(51) **LOC (8) Cl.** **14-03**

(52) **U.S. Cl.** **D14/496; D14/156**

(58) **Field of Classification Search** D14/496,
D14/401, 435, 474, 483, 217, 137, 138, 160,
D14/168; 345/156, 169, 173-179, 905; 455/11.1,
455/7, 73, 344-351, 93-95; 370/342-344;
369/1, 2, 6, 12; 463/43-47; 273/48 B
See application file for complete search history.

(56) **References Cited**

U.S. PATENT DOCUMENTS

D416,899 S * 11/1999 Kobayashi D14/168
6,055,478 A * 4/2000 Heron 701/213
D452,250 S * 12/2001 Chan D14/496

6,339,696 B1 * 1/2002 Chan et al. 455/62
6,364,390 B1 * 4/2002 Finneman 296/37.7
6,795,381 B2 * 9/2004 Ando et al. 369/30.03
D502,165 S * 2/2005 Ching D14/156
D512,073 S * 11/2005 Rodarte D14/496
D512,435 S * 12/2005 Yang D14/496
D521,524 S * 5/2006 Chang D14/496

* cited by examiner

Primary Examiner—Prabhakar Deshmukh

(74) *Attorney, Agent, or Firm*—Rosenberg, Klein & Lee

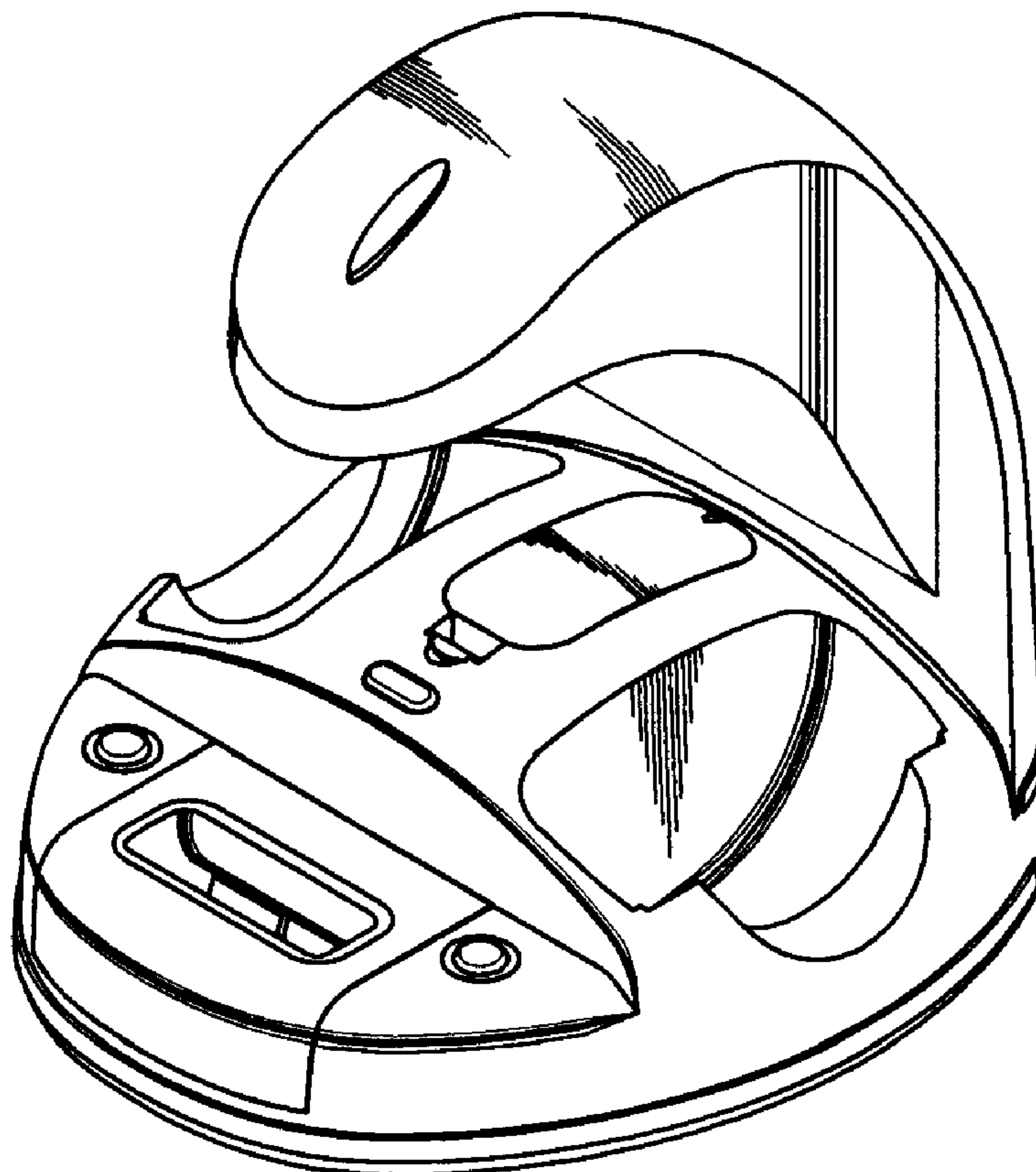
(57) **CLAIM**

The ornamental design for a multimedia video and audio playing device, as shown and described.

DESCRIPTION

FIG. 1 is a perspective view of a multimedia video and audio playing device showing my new design;
FIG. 2 is a front elevational view thereof;
FIG. 3 is a rear elevational view thereof;
FIG. 4 is a left side elevational view thereof;
FIG. 5 is a right side elevational view thereof;
FIG. 6 is a top plan view thereof; and,
FIG. 7 is a bottom plan view thereof.

1 Claim, 4 Drawing Sheets



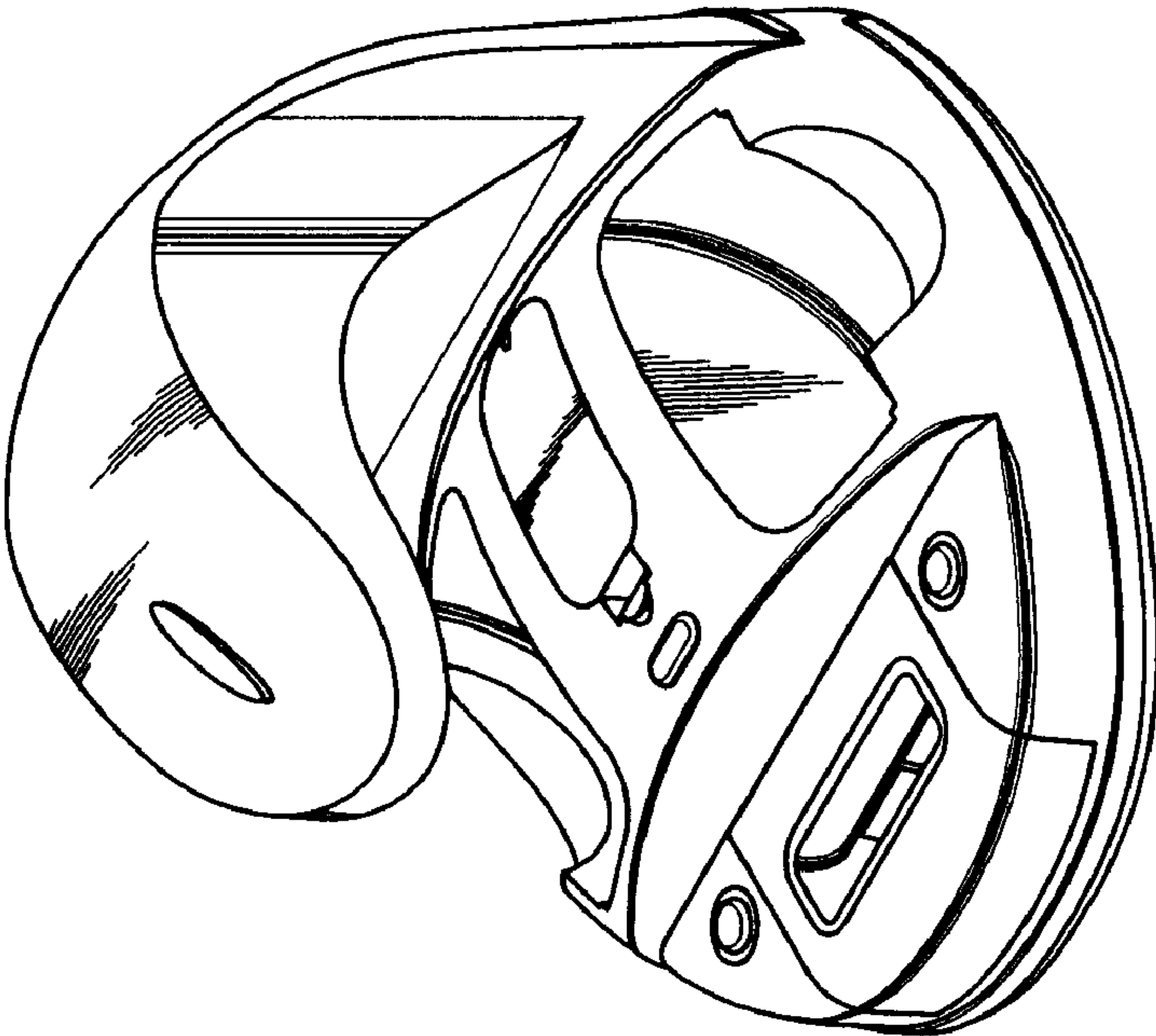


FIG. 1

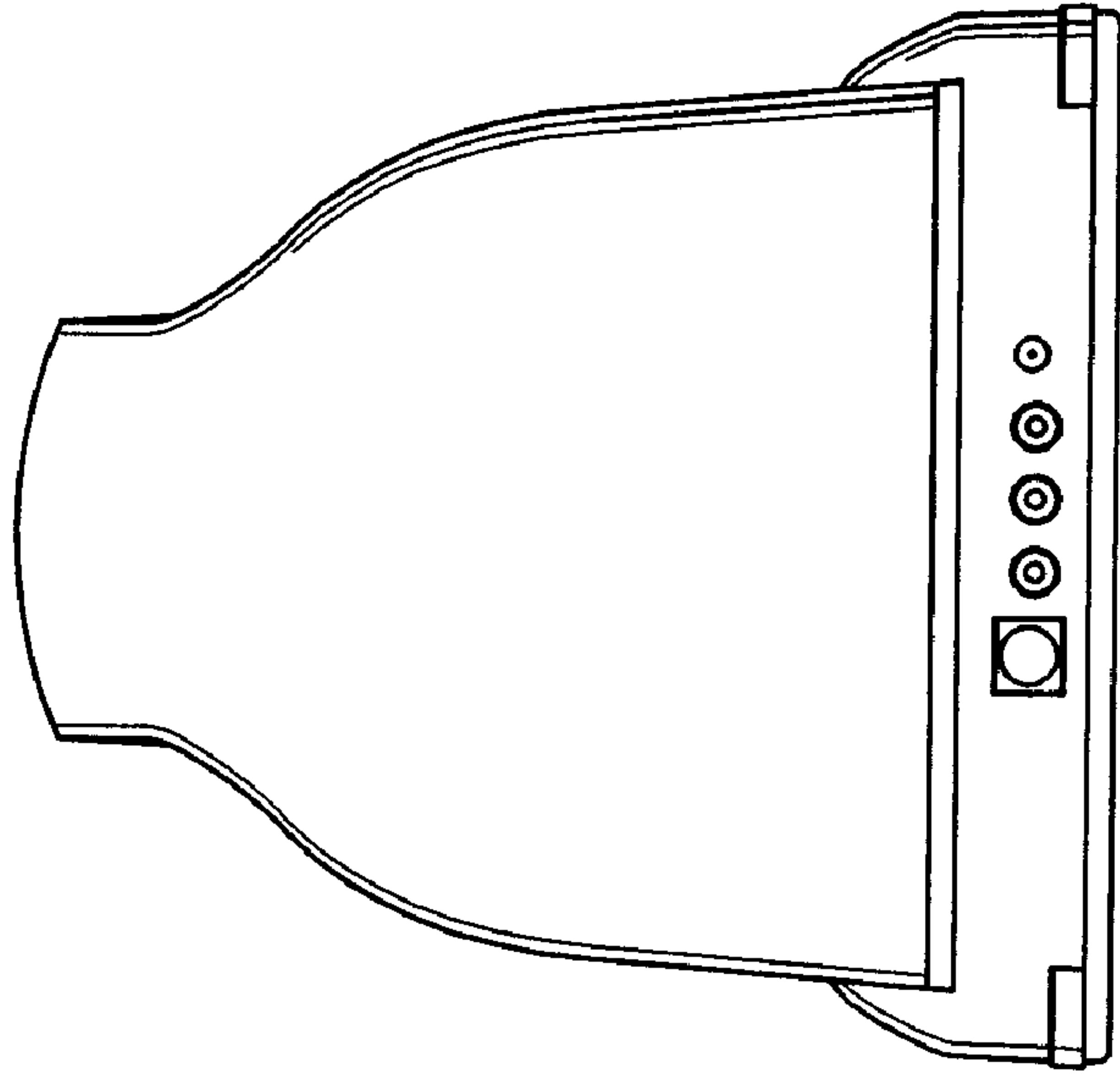


FIG. 2

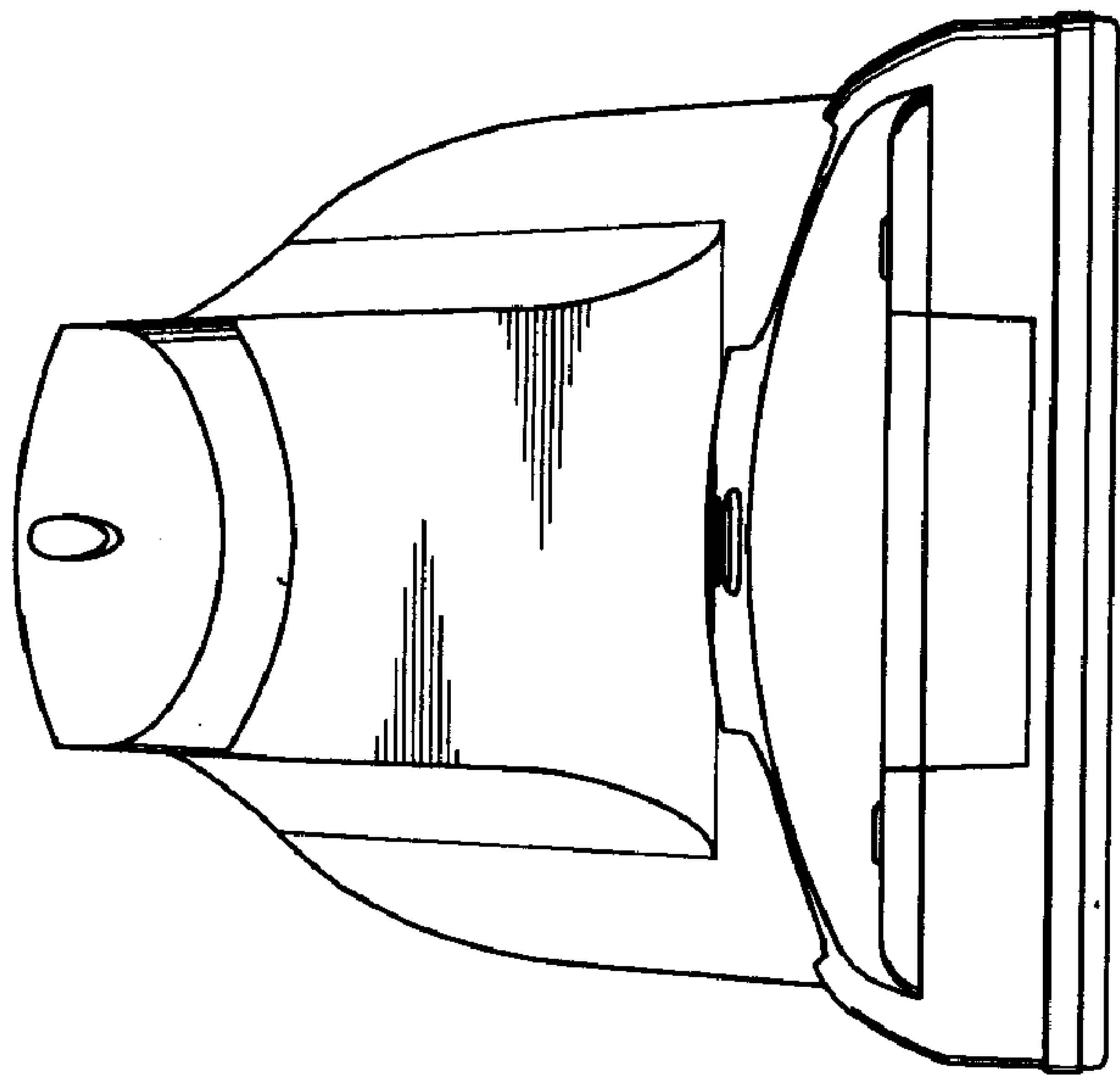


FIG. 3

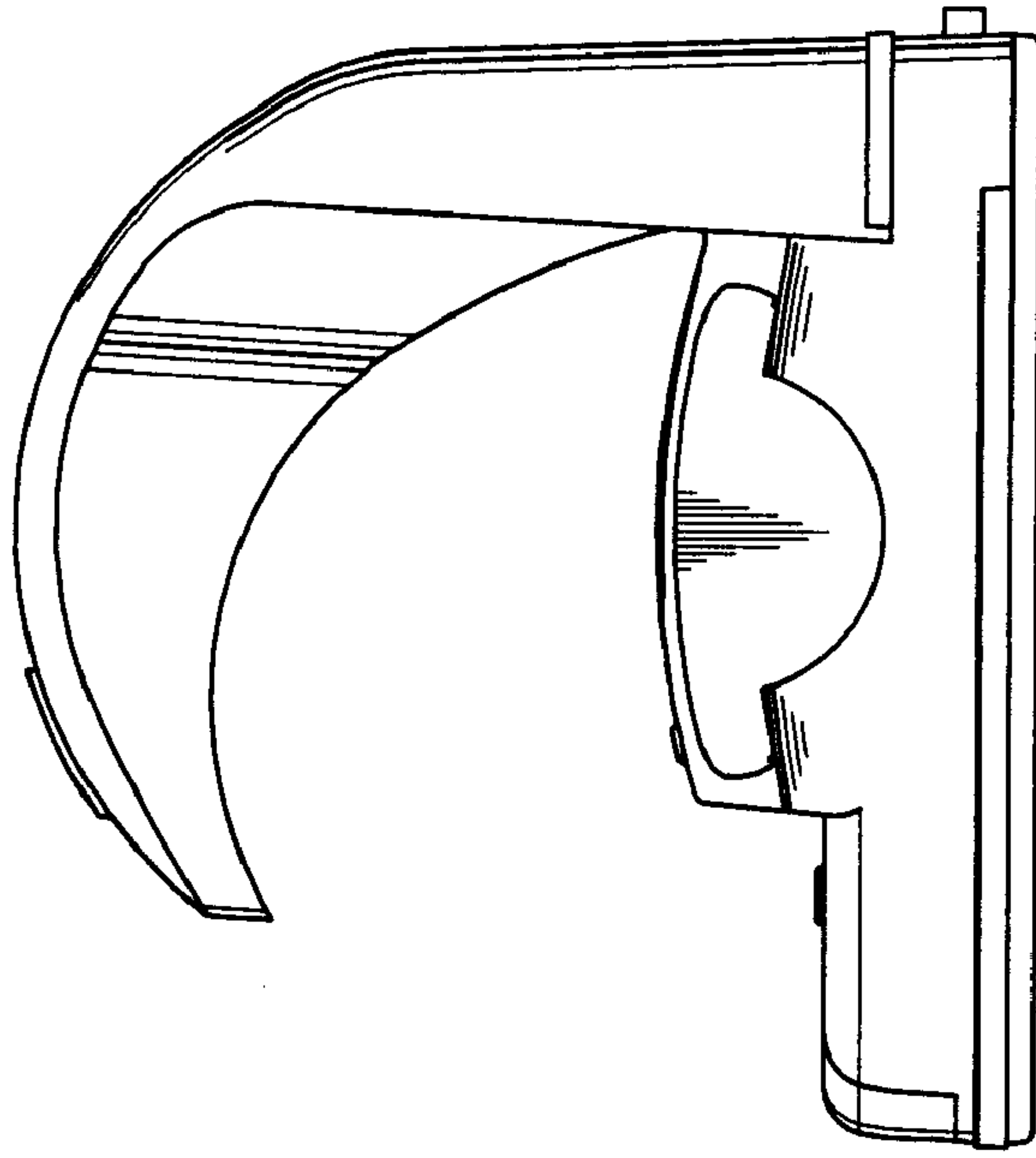


FIG. 5

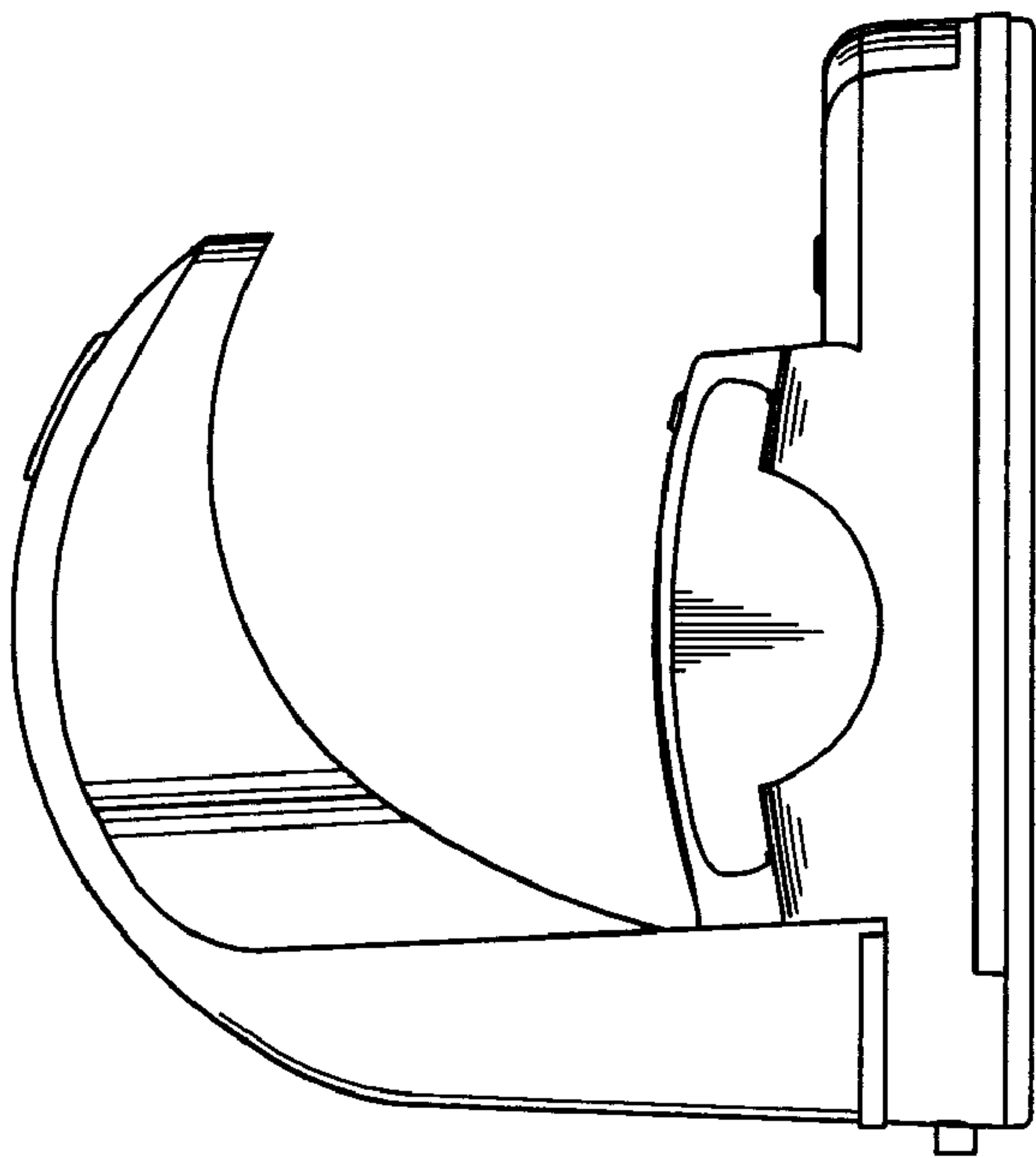


FIG. 4

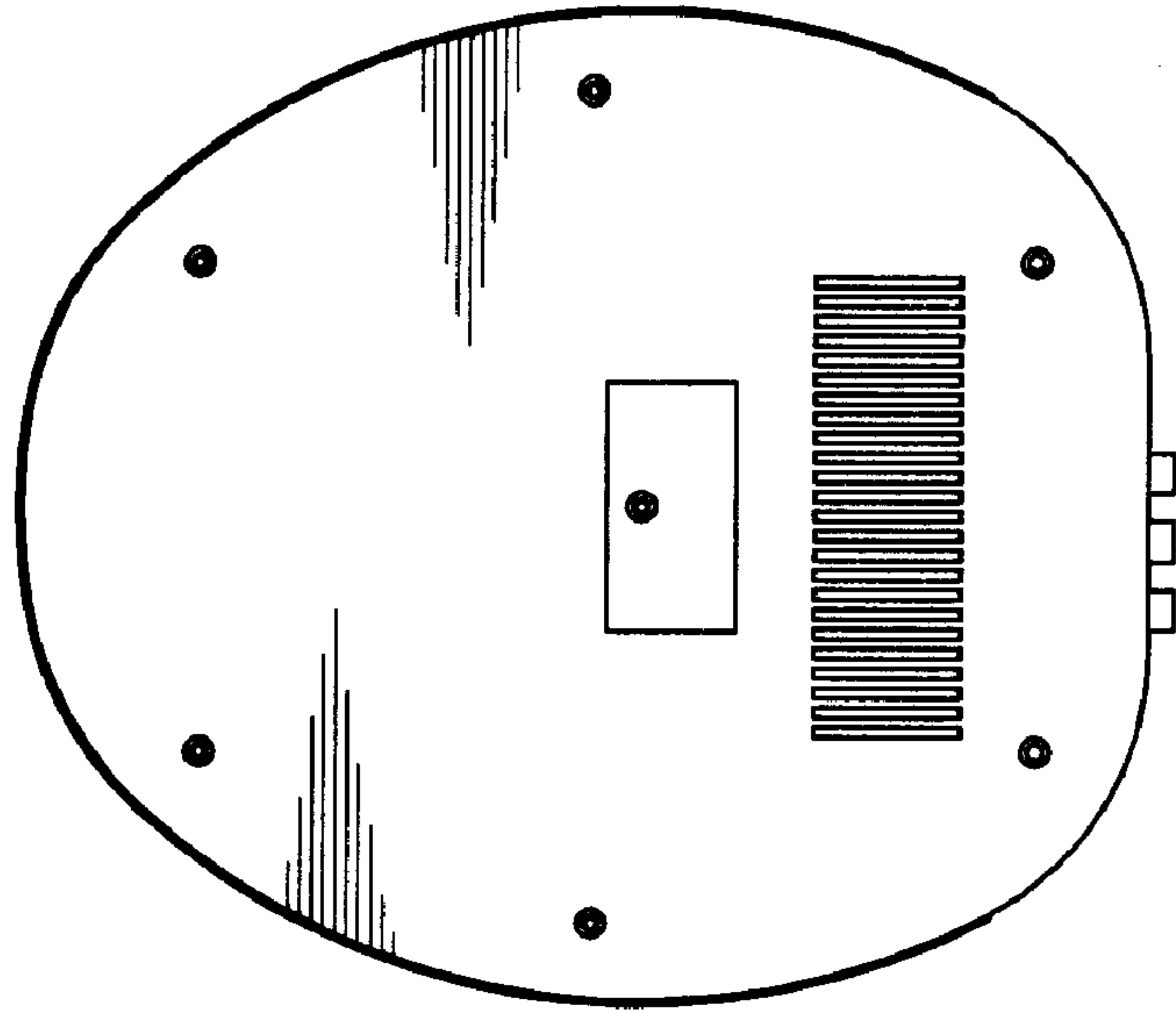


FIG. 6

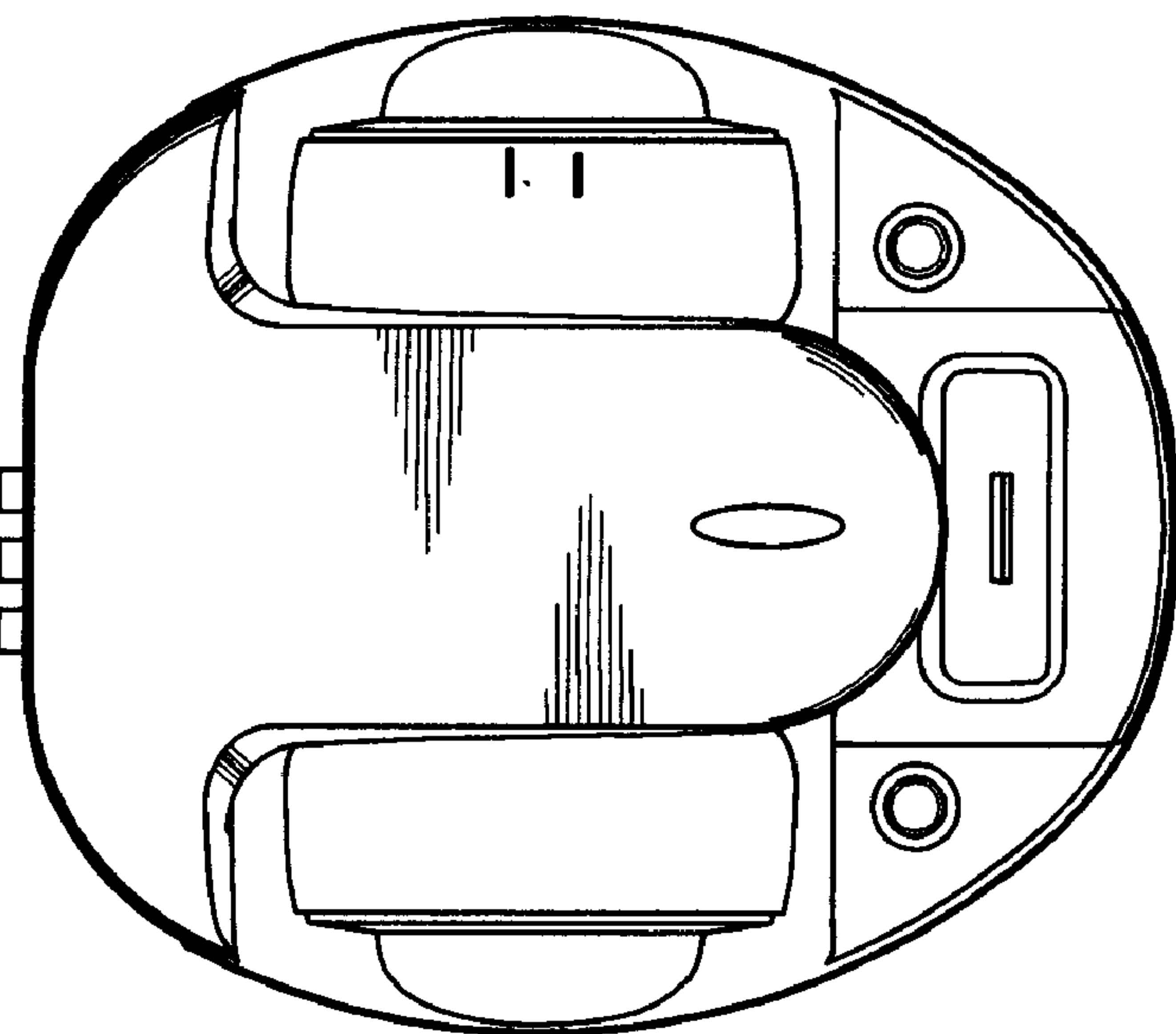


FIG. 7