



US00D555163S

(12) **United States Design Patent** (10) **Patent No.:** **US D555,163 S**
Beilstein et al. (45) **Date of Patent:** **** Nov. 13, 2007**

(54) **COMPUTER STAND**

(75) Inventors: **Christine Beilstein**, Chicago, IL (US);
Scott Hughes, Chicago, IL (US); **Kurt Allen Melzer**, Chicago, IL (US);
Timothy D. Killinger, Woodstock, IL (US)

(73) Assignee: **Sanford, L.P.**, Oak Brook, IL (US)

(**) Term: **14 Years**

(21) Appl. No.: **29/259,069**

(22) Filed: **May 2, 2006**

(51) **LOC (8) Cl.** **14-03**

(52) **U.S. Cl.** **D14/451; D14/447**

(58) **Field of Classification Search** D14/217,
D14/224, 239, 251, 316, 356, 366, 375-7,
D14/432, 434, 439, 447-8, 451-2, 455, 457,
D14/469; D6/396, 419, 449, 473-5, 477,
D6/512; D7/323, 339-41, 362, 365, 367,
D7/407; D8/363; D19/92, 95; D23/314,
D23/332, 355, 370, 386-7; 248/121, 122.1,
248/124.1, 125.1, 125.7, 126-8, 133, 178.1,
248/183.2, 346.01, 346.02, 346.03, 349.1,
248/371, 441.1, 454-5, 917-24; 312/223.3;
361/681, 683, 686-7

See application file for complete search history.

(56) **References Cited**

U.S. PATENT DOCUMENTS

3,381,928 A * 5/1968 White 248/455

(Continued)

OTHER PUBLICATIONS

Ergo Fold Portable Laptop Stand. Datasheet, 1 page [online].
LaptopStands.co.uk [retrieved on Jan. 31, 2006]. Retrieved from the

Internet: <URL: www.laptopstands.co.uk/cgi-bin/store/commerce.cgi?product=Ergofold>.

(Continued)

Primary Examiner—Cathron C. Brooks
Assistant Examiner—Angela Lee
(74) *Attorney, Agent, or Firm*—Marshall Gerstein & Borun, LLP

(57) **CLAIM**

The ornamental design for a computer stand, as shown and described.

DESCRIPTION

FIG. 1 is a perspective view showing our new design for a computer stand;

FIG. 2 is a front view of the stand of FIG. 1;

FIG. 3 is a side view of the stand of FIG. 1, the opposite side view being a mirror image thereof;

FIG. 4 is a rear view of the stand of FIG. 1;

FIG. 5 is a top view of the stand of FIG. 1;

FIG. 6 is a bottom plan view of the stand of FIG. 1;

FIG. 7 is a perspective view of a second embodiment of the stand of FIG. 1;

FIG. 8 is a front view of the stand of FIG. 7;

FIG. 9 is a side view of the stand of FIG. 7, the opposite side view being a mirror image thereof;

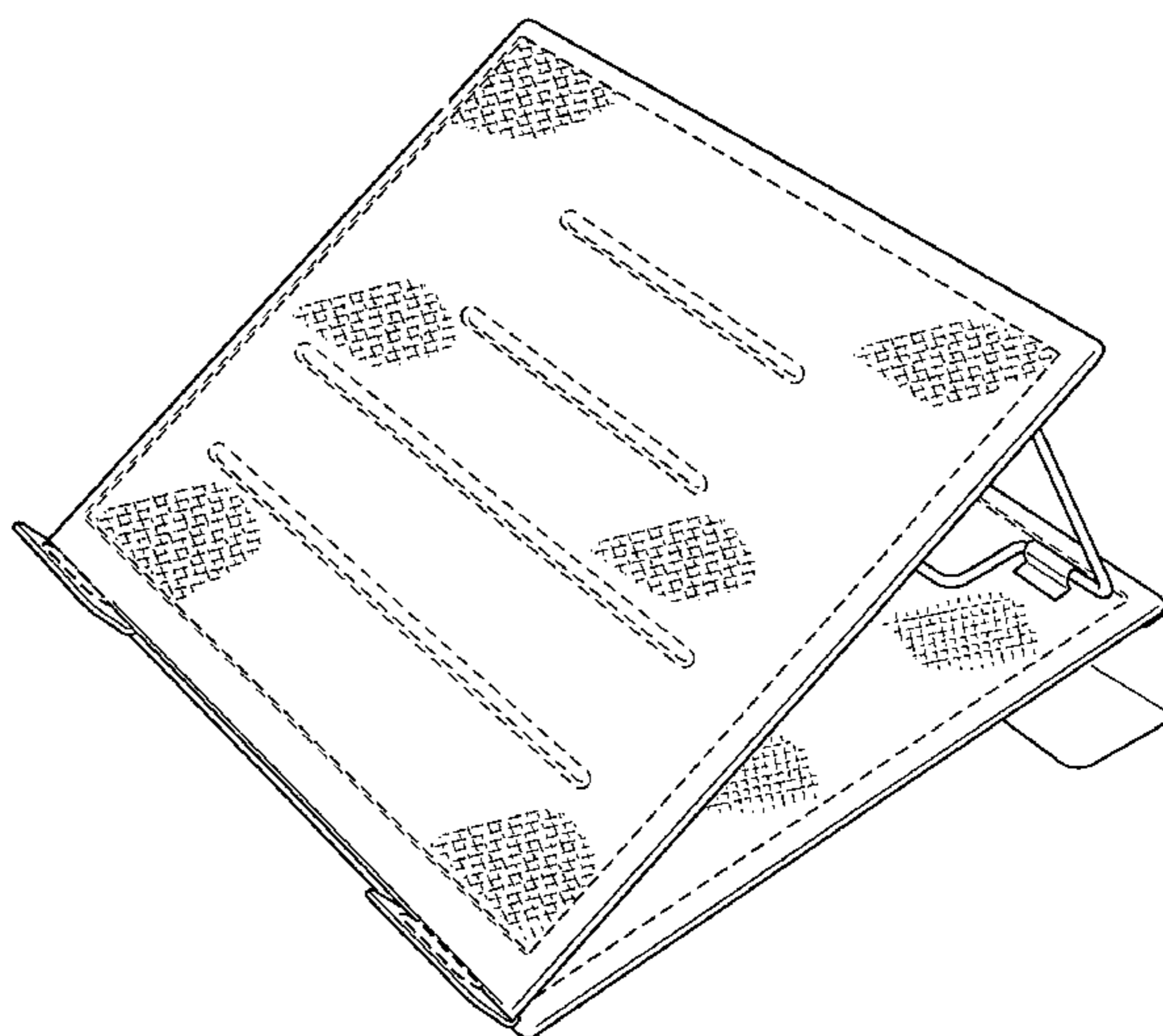
FIG. 10 is a rear view of the stand of FIG. 7;

FIG. 11 is a top view of the stand of FIG. 7; and,

FIG. 12 is a bottom plan view of the stand of FIG. 7.

The dashed lines are for illustrative purposes only and form no part of the claimed design, the illustrated hatching of FIGS. 1-6 is continuous across the surfaces on which it appears, and the illustrated hatching of FIGS. 7-12 is shown in dashed lines and forms no part of the claimed design.

1 Claim, 12 Drawing Sheets



U.S. PATENT DOCUMENTS

4,848,243	A *	7/1989	Giordano	108/9
D315,366	S *	3/1991	Greenspahn	D19/52
D330,649	S *	11/1992	Lemire	D6/466
5,443,237	A *	8/1995	Stadtmauer	248/441.1
6,220,558	B1 *	4/2001	Broder et al.	248/346.02
D451,292	S *	12/2001	Cheris et al.	D6/349
6,435,466	B1 *	8/2002	Adams	248/455
6,474,614	B2	11/2002	MacEachern	248/349.1
6,490,154	B2	12/2002	Thompson	361/686
D480,088	S *	9/2003	Bakker et al.	D14/447
6,682,040	B1	1/2004	MacEachern	248/349.1
D494,977	S *	8/2004	Persson	D14/447
D513,008	S *	12/2005	Takizawa et al.	D14/447
2002/0122290	A1 *	9/2002	Davis	361/683
2006/0192070	A1 *	8/2006	Chan	248/371

OTHER PUBLICATIONS

Laptop Stand. Product information, 1 page [online]. Posturite.com.uk [retrieved on Jan. 31, 2006]. Retrieved from the Internet: <URL: www.posturite.co.uk/postureitesite/pages/product/product.asp?prod=1064&cookie%...>

Ultra Laptop Solution. Product information, 2 pages [online]. Homeworkingsolutions.co.uk [retrieved on Jan. 31, 2006]. Retrieved from the Internet: <URL: www.homeworkingsolutions.co.uk/catalog/ultra_mobile.cfm>

Ergo Q2 Laptop Stand. Product information, 2 pages [online]. Back2.co.uk [retrieved on Jan. 31, 2006]. Retrieved from the Internet: <URL: www.back2.co.uk/products/atwork/laptop_stands/ergo_q2_laptop_stand.html>

Lap Suite Laptop Holder. Product information, 1 page [online]. Homeworkingsolutions.co.uk [retrieved on Jan. 31, 2006]. Retrieved from the Internet: <URL: www.homeworkingsolutions.co.uk/catalog/lap_suite.cfm>

Ergonomic Travel Laptop Stand. Product information, 2 pages [online]. Ergoindemand.com [retrieved on Jan. 31, 2006]. Retrieved from the Internet: <URL: www.ergoindemand.com/notebook_stands_5.htm>

Mesh Laptop Stand. Product information, 1 page [online]. Acco Brands [retrieved on Oct. 20, 2005]. Retrieved from the Internet: <URL: www.acco.co.uk/document_management/product.asp?id=1585&category=57&subse...>

Silver Laptop Stand. Product information, 1 page [online]. RS Produkt [retrieved on Jan. 31, 2006]. Retrieved from the Internet: <URL: www.rsonline.de/elektronische-bauelemente-de/475381288-desk-accessories-office-...>

Laptop Desk UltraLite. Product information, 2 pages [online]. Lap Works [retrieved on Jan. 31, 2006]. Retrieved from the Internet: <URL: www.laptopdesk.net/laptopdesk-ultralitef.html>

Laptop Desk Series. Product information, 1 page [online]. Lap Works [retrieved on Jan. 31, 2006]. Retrieved from the Internet: <URL: www.laptopdesk.net/desks.html>

Prop-Forward Laptop Stand. Product information, 3 pages [online]. Prop-Forward [retrieved on Jan. 31, 2006]. Retrieved from the Internet: <URL: www.prop-forward.com/?cn=uk&ag=fs&ad=ei>

Prop Forward. Product information, 2 pages [online]. Prop-forward.com [retrieved on Jan. 31, 2006]. Retrieved from the Internet: <URL: www.prop-forward.com/?cn=uk&ag=fs&ad=ei>

* cited by examiner

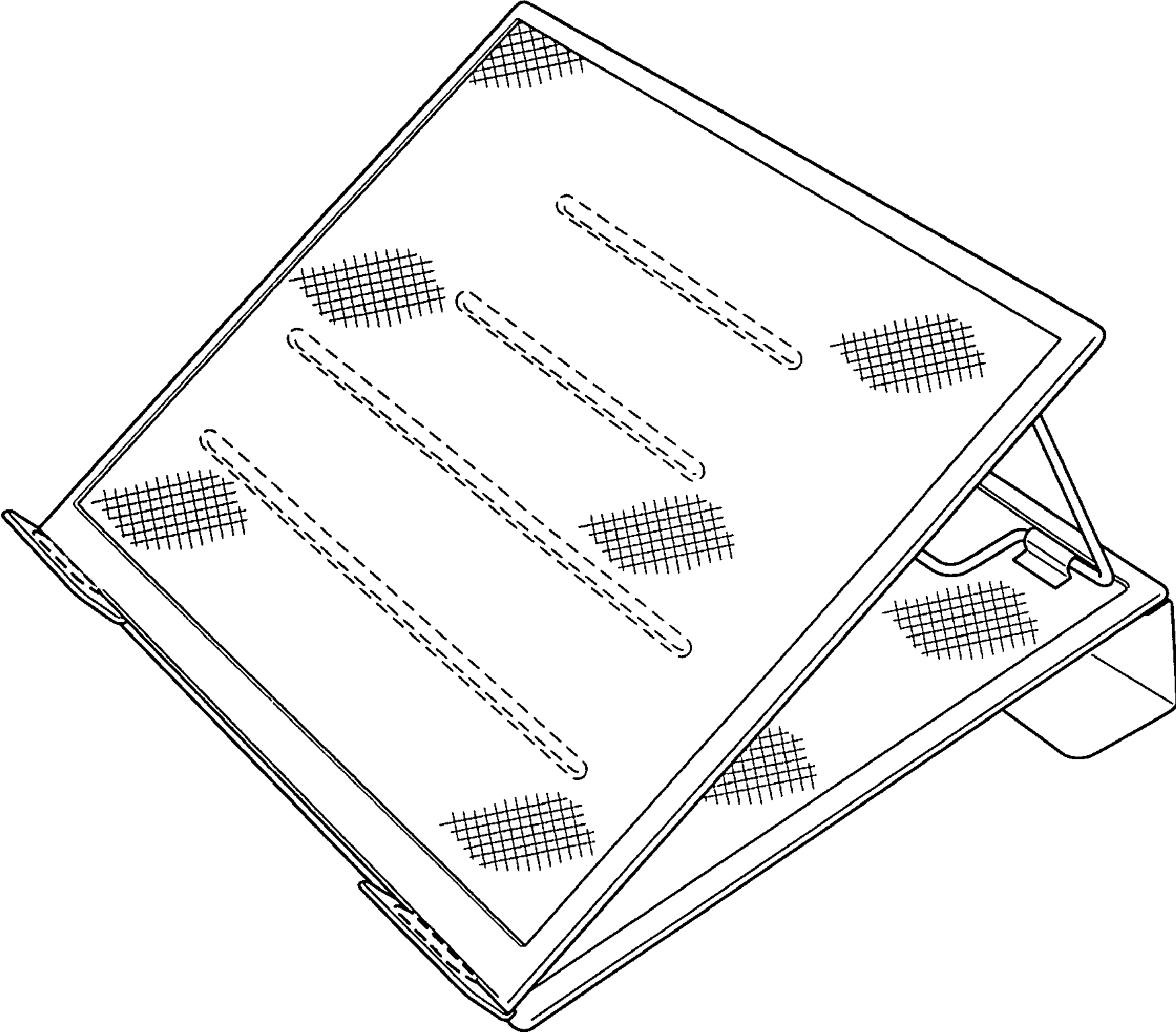


FIG. 1

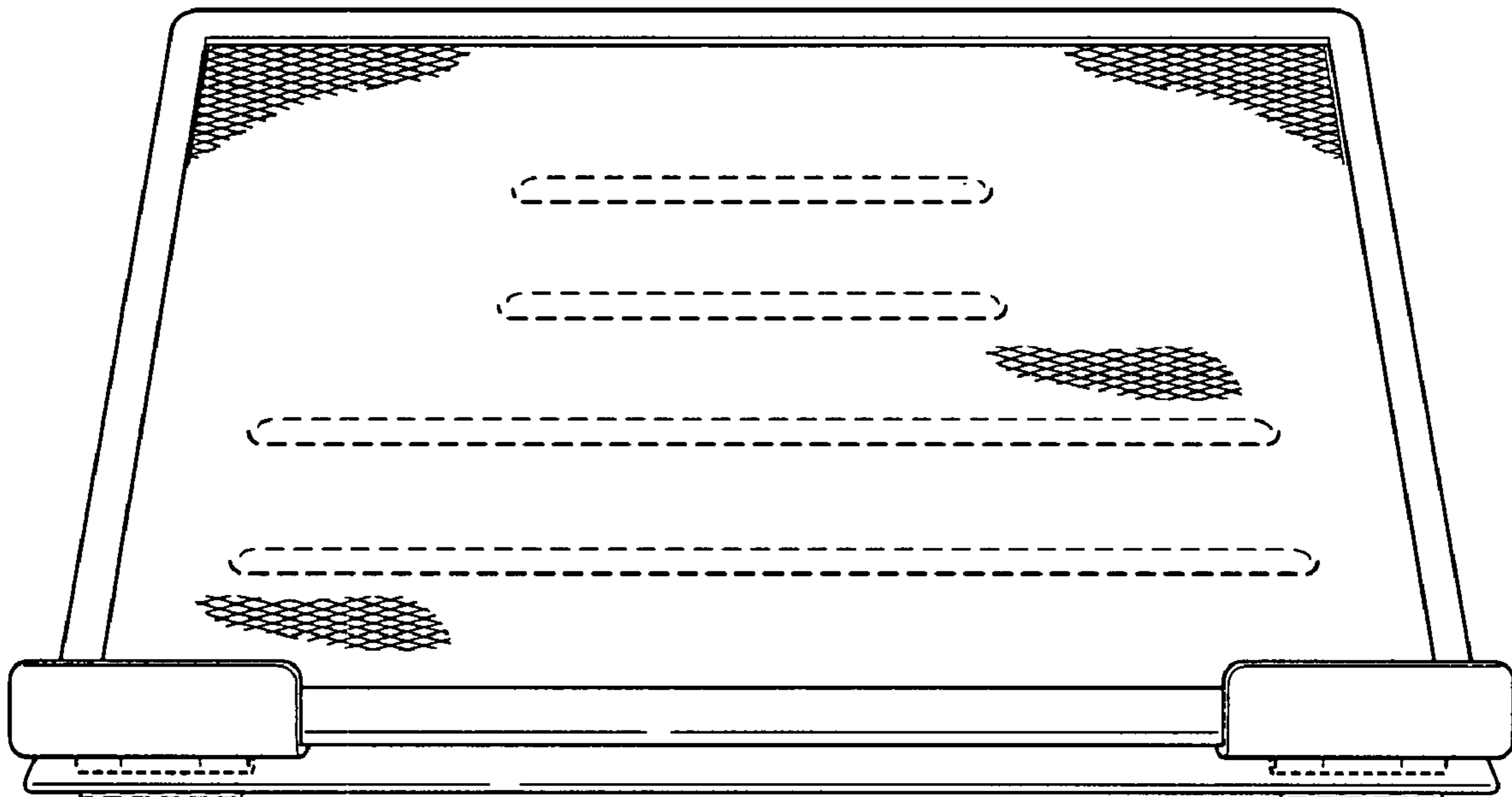


FIG. 2

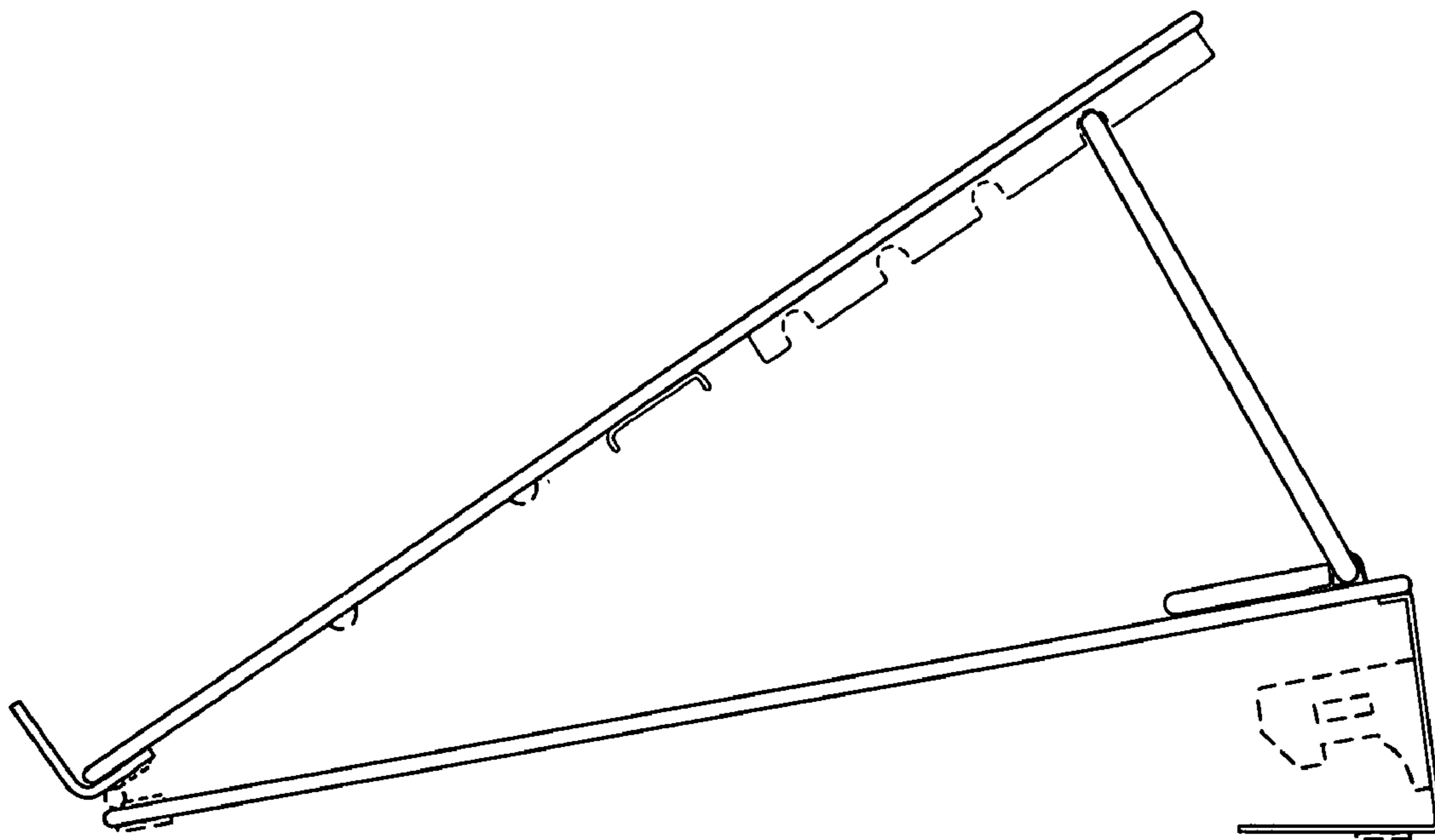


FIG. 3

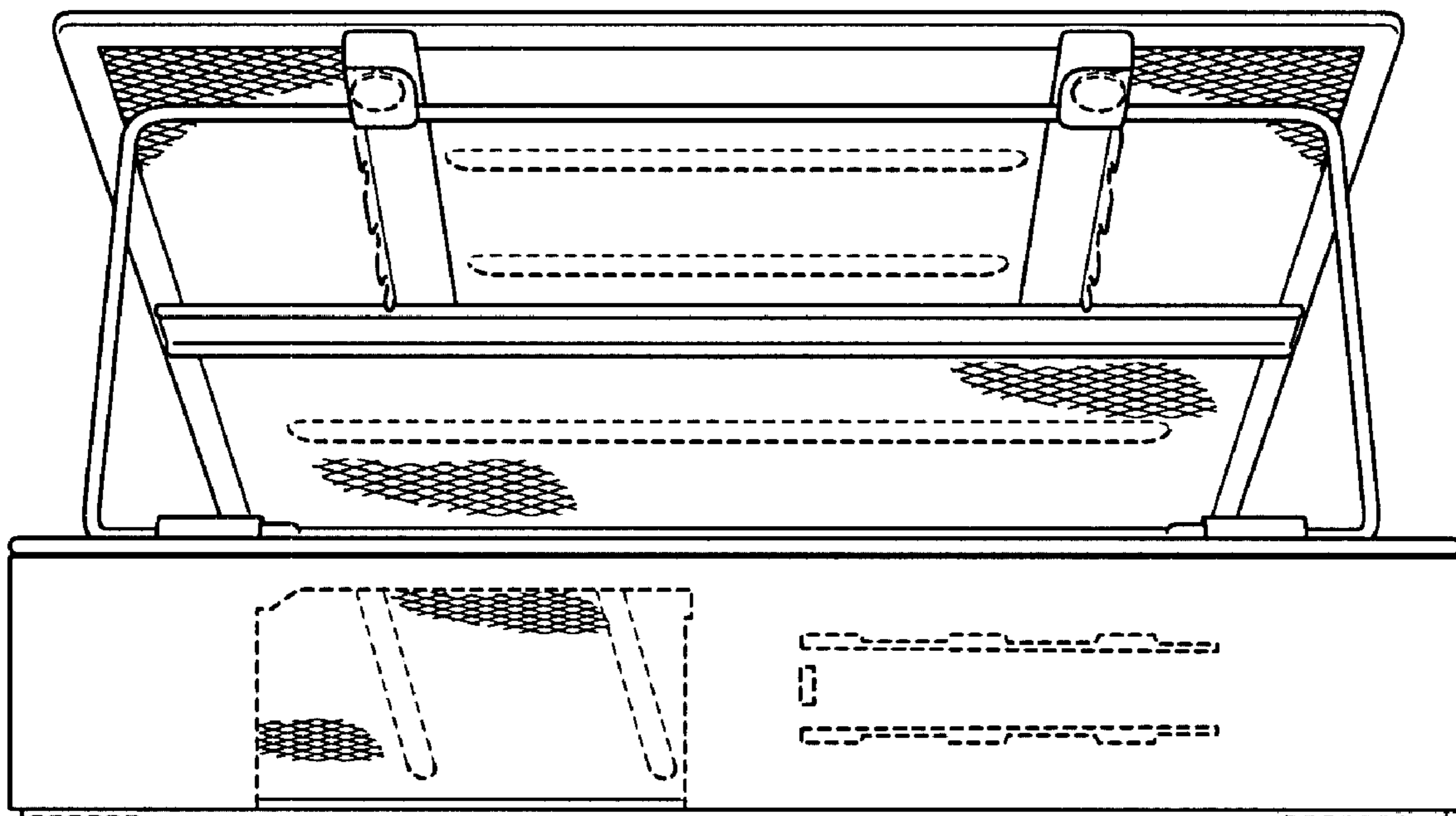


FIG. 4

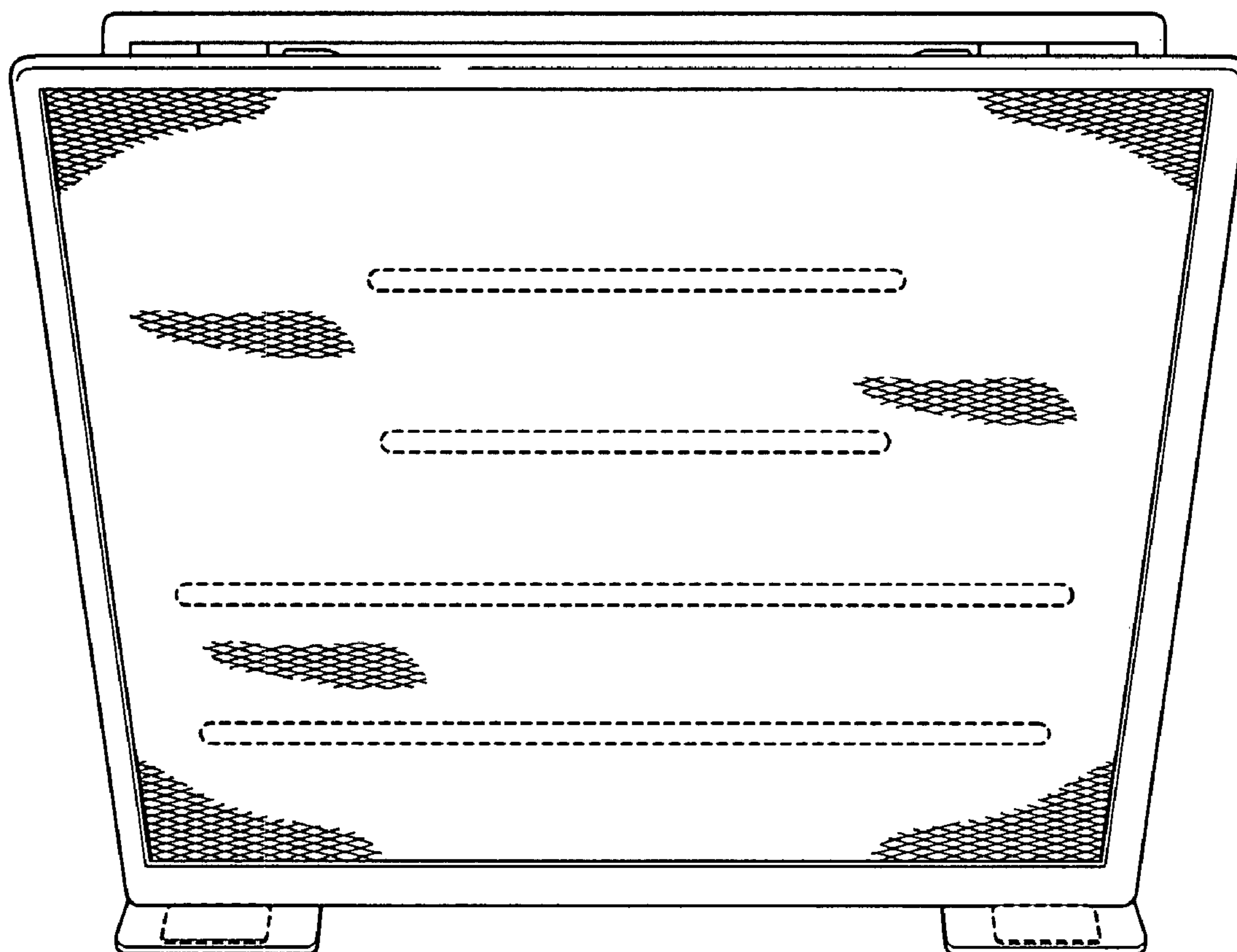


FIG. 5

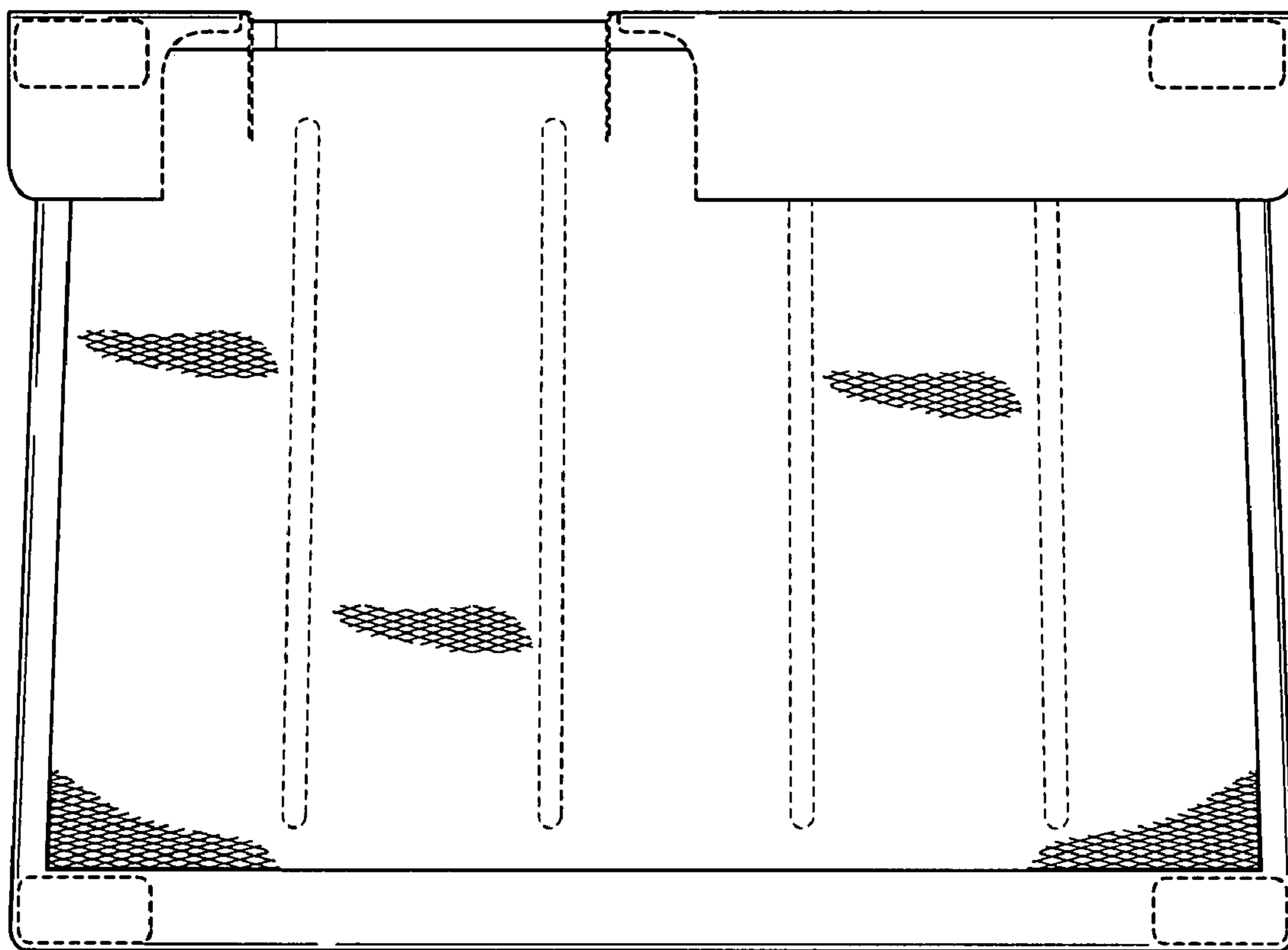


FIG. 6

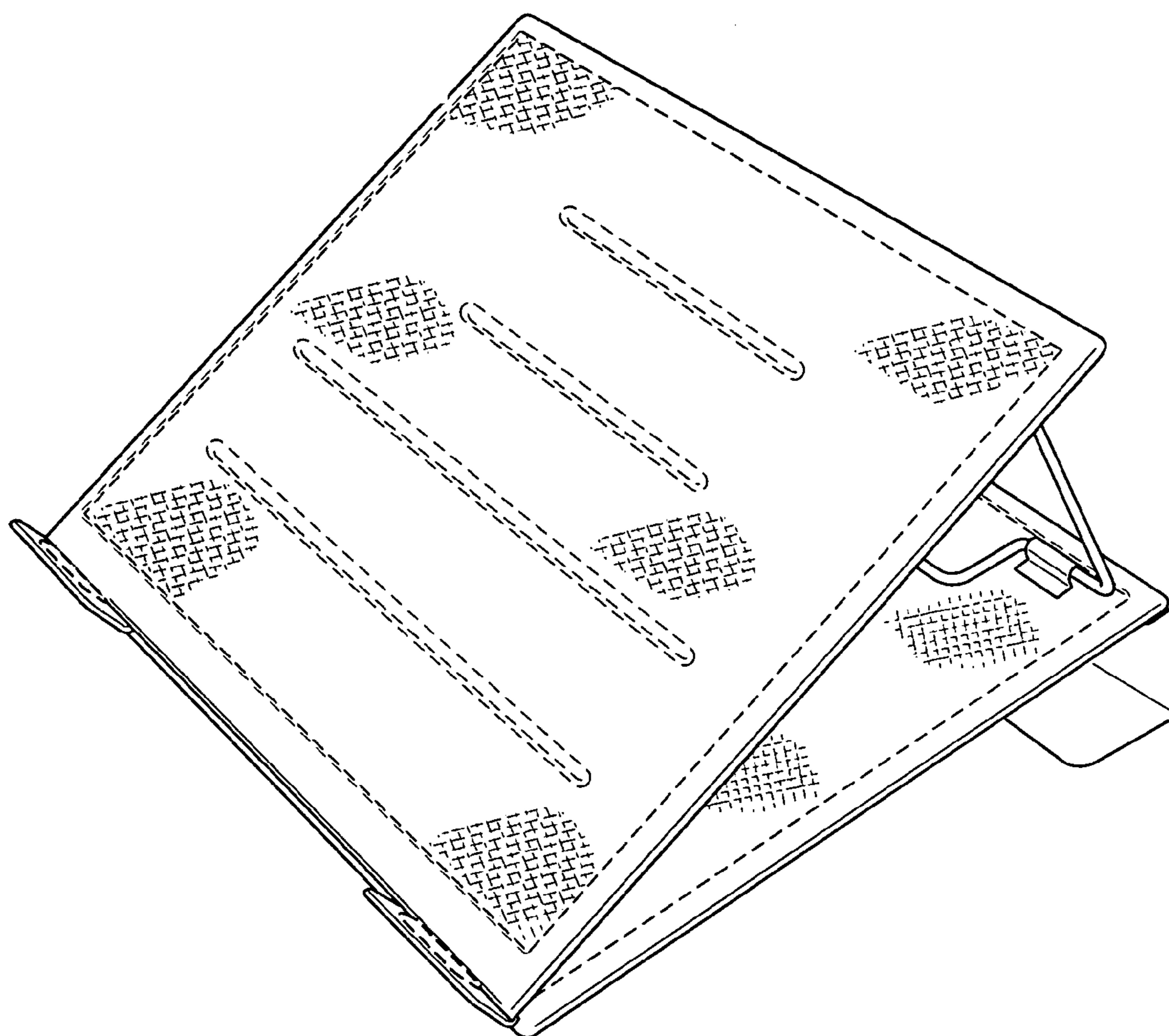


FIG. 7

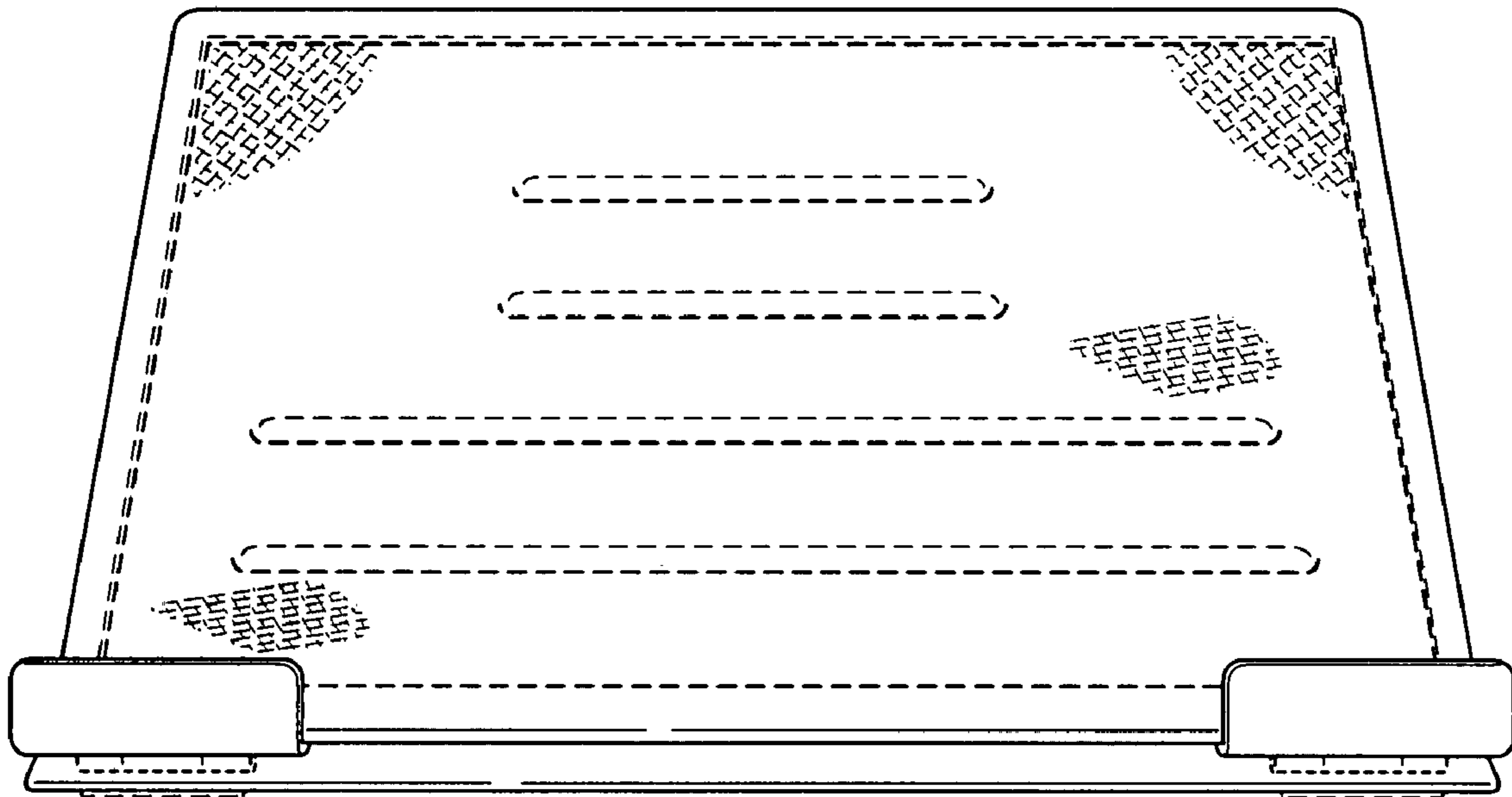


FIG. 8

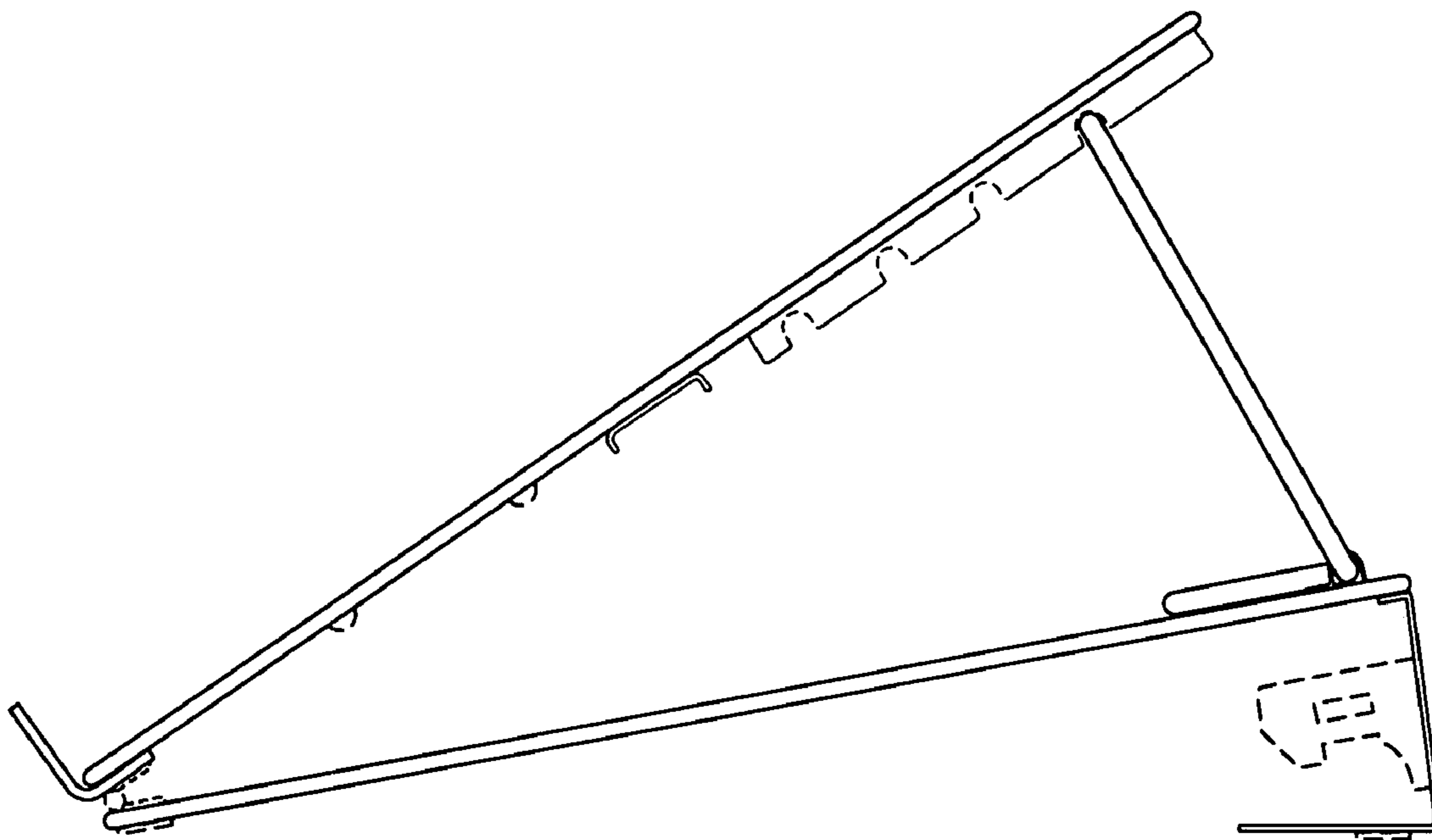


FIG. 9

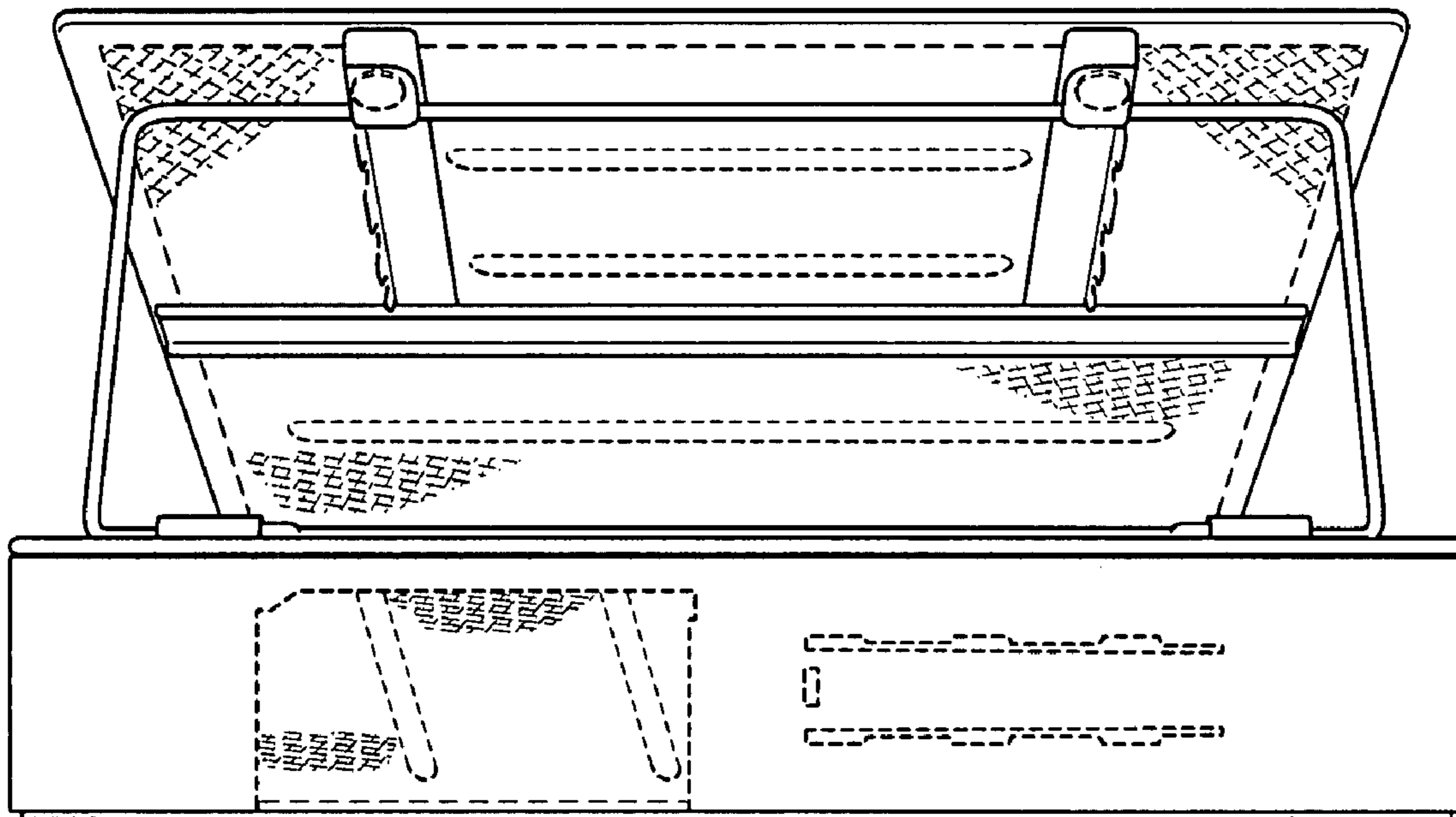


FIG. 10

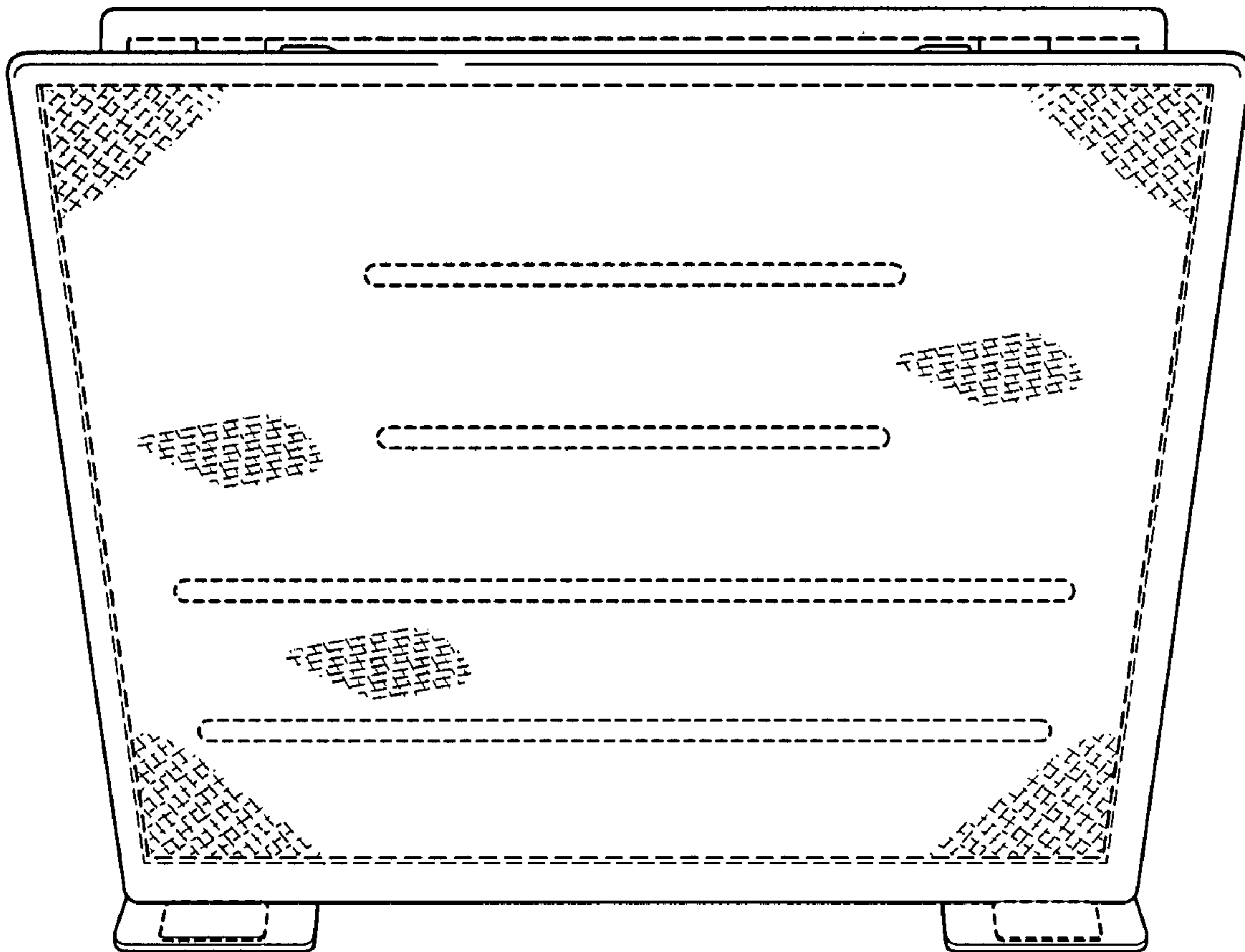


FIG. 11

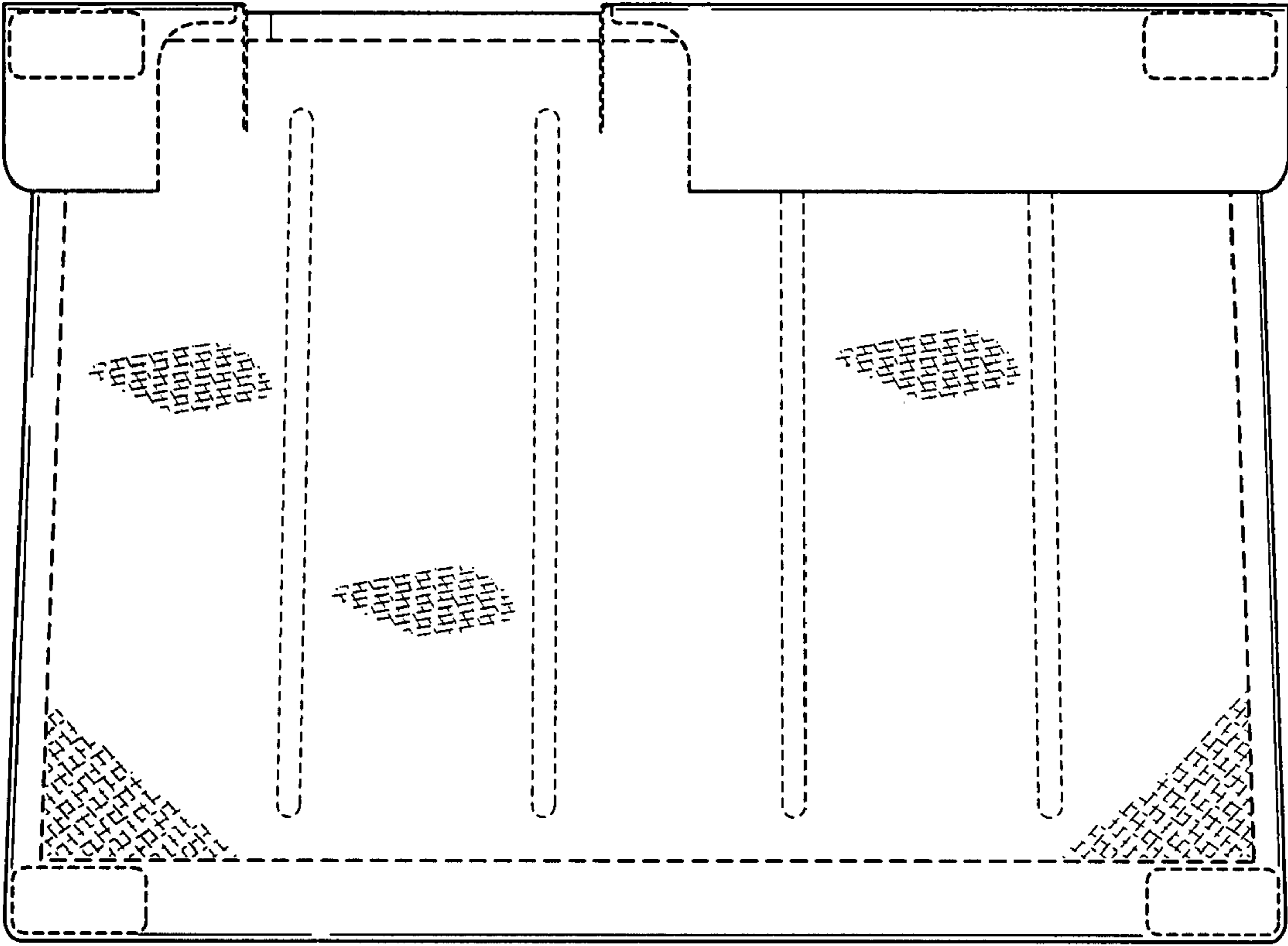


FIG. 12