

US00D555160S

(12) **United States Design Patent**
Cox et al.

(10) **Patent No.:** **US D555,160 S**

(45) **Date of Patent:** **** Nov. 13, 2007**

(54) **BEZEL FOR SYSTEM STORAGE UNIT**

(75) Inventors: **Aaron R. Cox**, Tucson, AZ (US); **Joni E. Saylor**, Tucson, AZ (US)

(73) Assignee: **International Business Machines Corporation**, Armonk, NY (US)

(**) Term: **14 Years**

(21) Appl. No.: **29/246,451**

(22) Filed: **Apr. 13, 2006**

(51) **LOC (8) Cl.** **14-02**

(52) **U.S. Cl.** **D14/445**

(58) **Field of Classification Search** D14/441-446;
D13/162, 184, 199; 312/223.1-223.3; 360/99.01-99.12,
360/92; 361/680-686, 690-696, 725
See application file for complete search history.

(56) **References Cited**

U.S. PATENT DOCUMENTS

D314,568 S * 2/1991 Martin D14/445
D477,826 S * 7/2003 Crisp et al. D14/444

D480,086 S * 9/2003 Searby et al. D14/444
2003/0011287 A1 * 1/2003 Searby et al. 312/223.2

* cited by examiner

Primary Examiner—Freda S Nunn

(74) *Attorney, Agent, or Firm*—James R. Nock

(57) **CLAIM**

The ornamental design of a bezel for system storage unit, as shown and described.

DESCRIPTION

FIG. 1 is a front, right perspective view of the bezel;

FIG. 2 is a front, left perspective view of the bezel;

FIG. 3 is a front view of the bezel;

FIG. 4 is a right side view of the bezel;

FIG. 5 is a top view of the bezel; and,

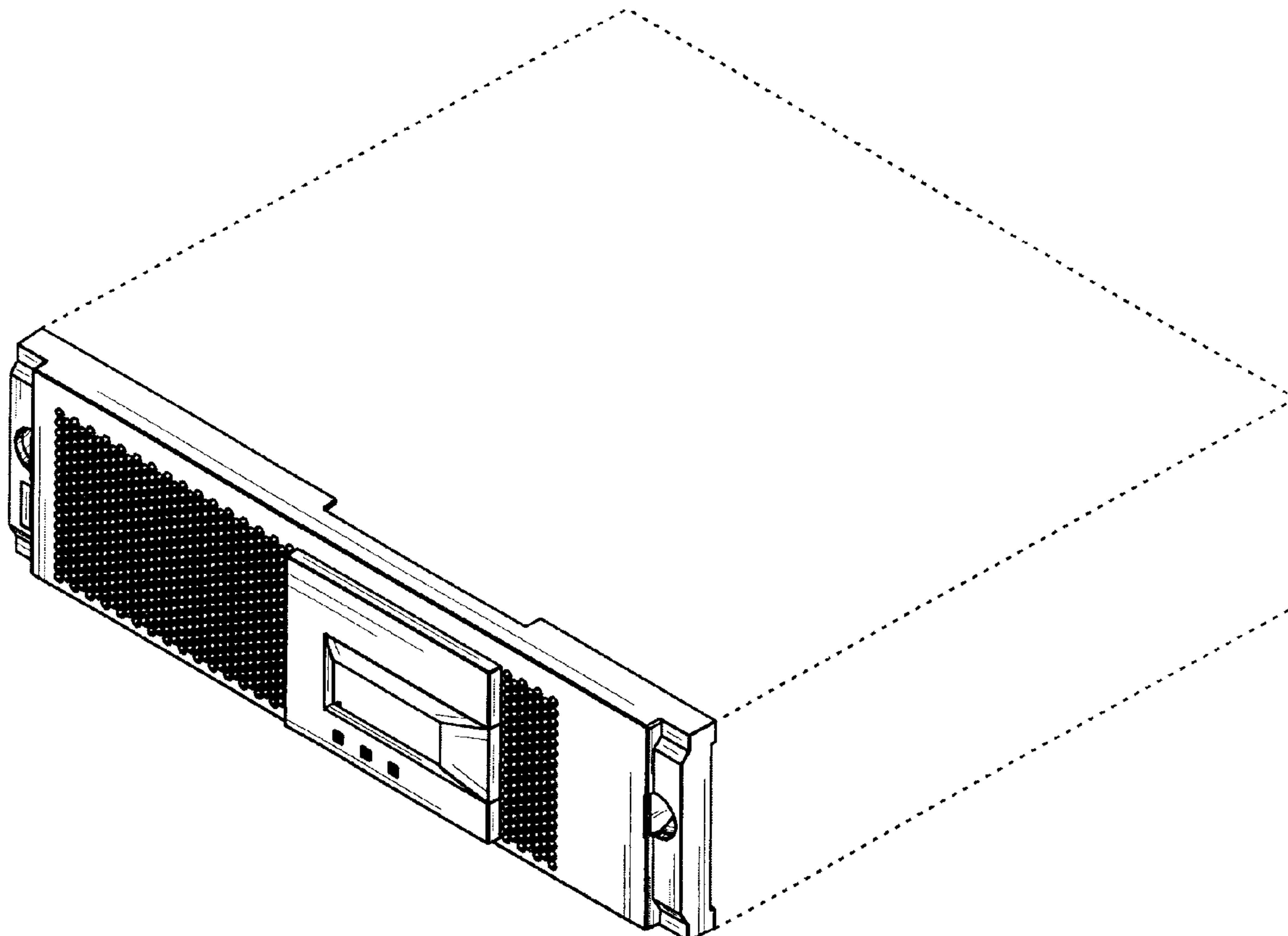
FIG. 6 is a left side view of the bezel.

The bottom view of the bezel is identical to FIG. 5.

The back view of the bezel is unornamented.

The broken lines are shown in the views for illustrative purposes only and form no part of the claimed design.

1 Claim, 6 Drawing Sheets



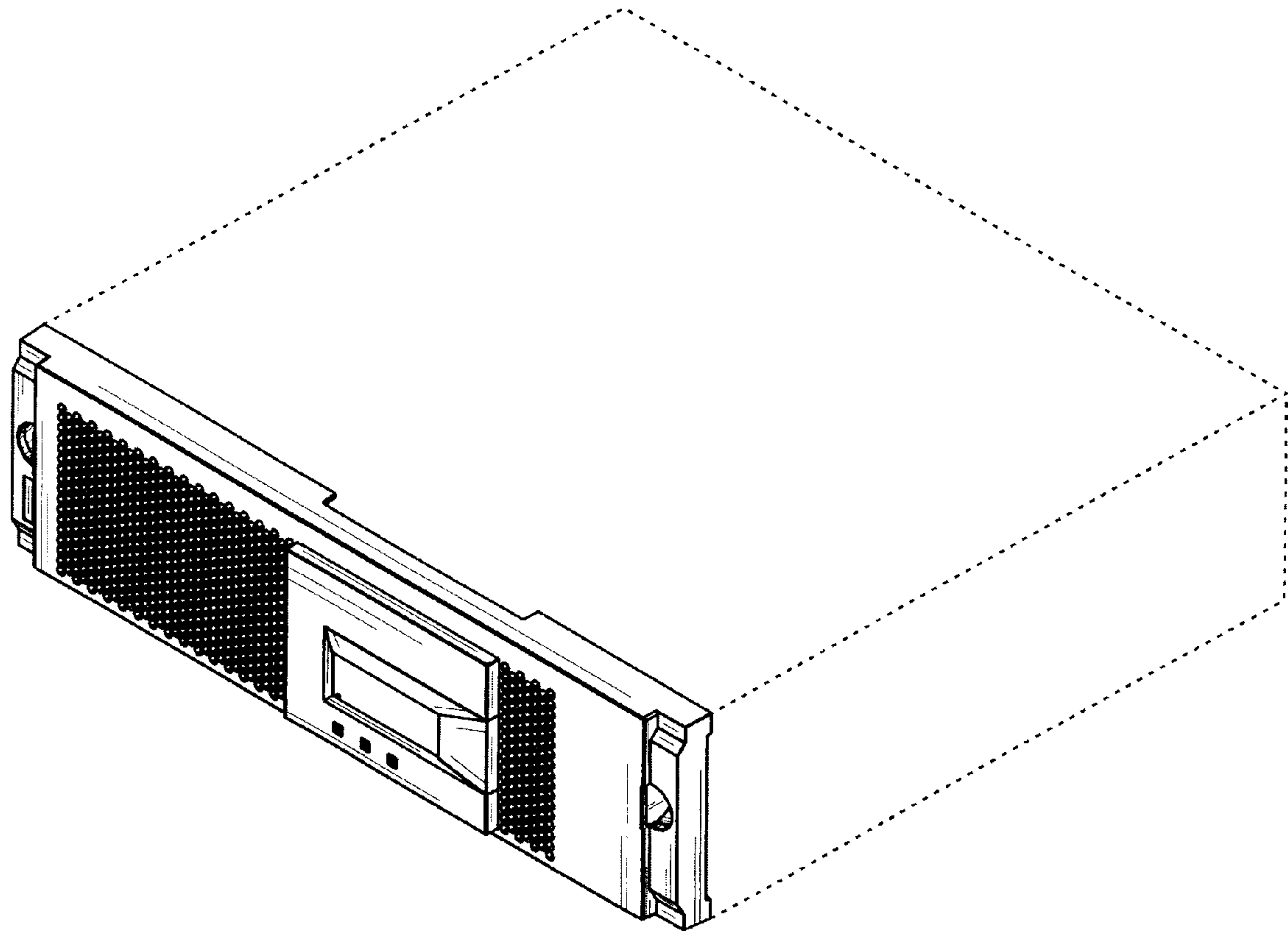


Fig. 1

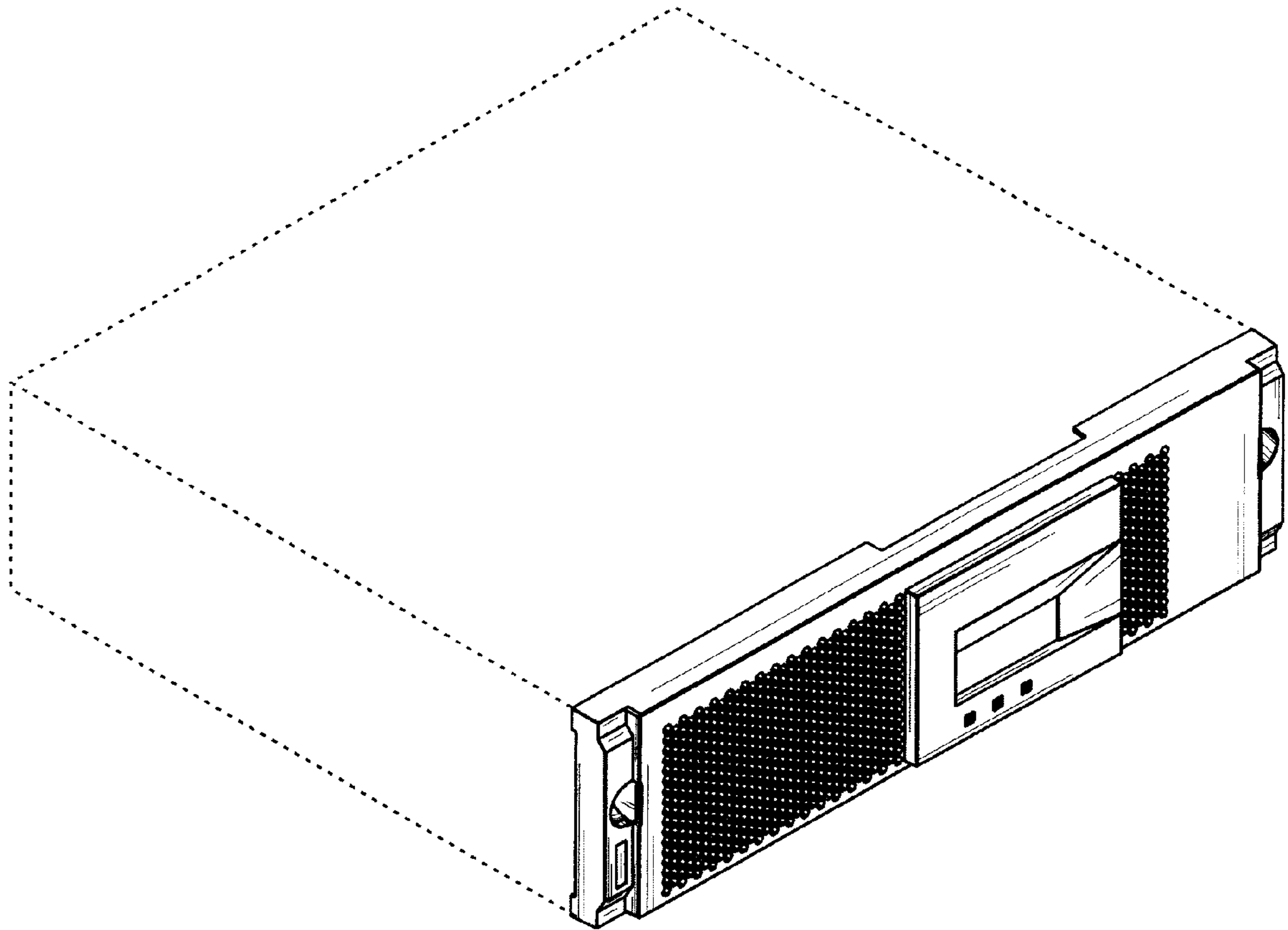


Fig.2

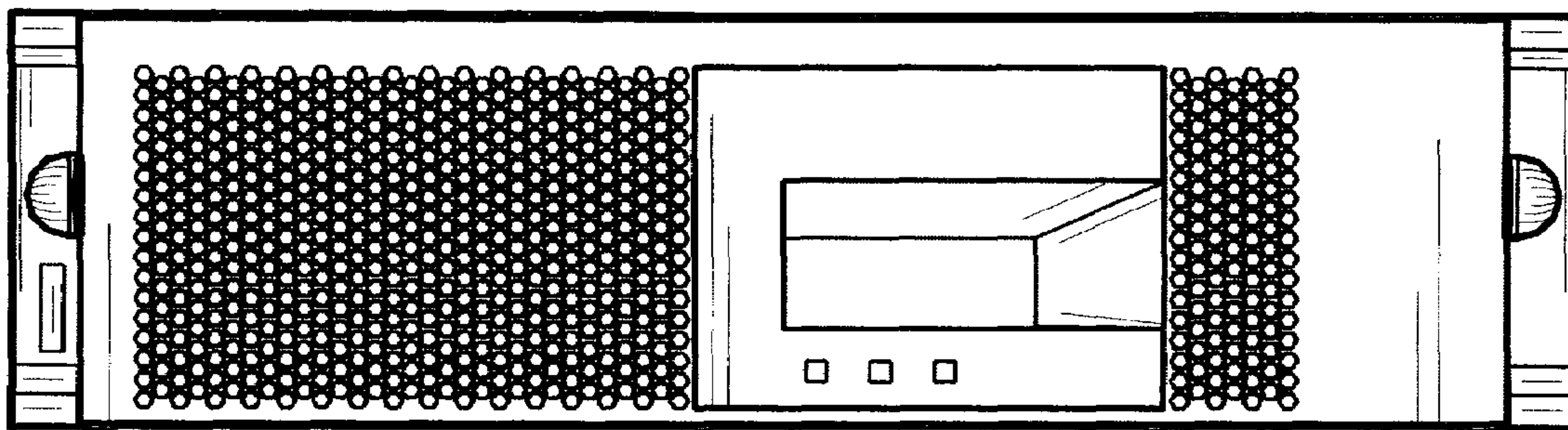


Fig. 3



Fig. 4

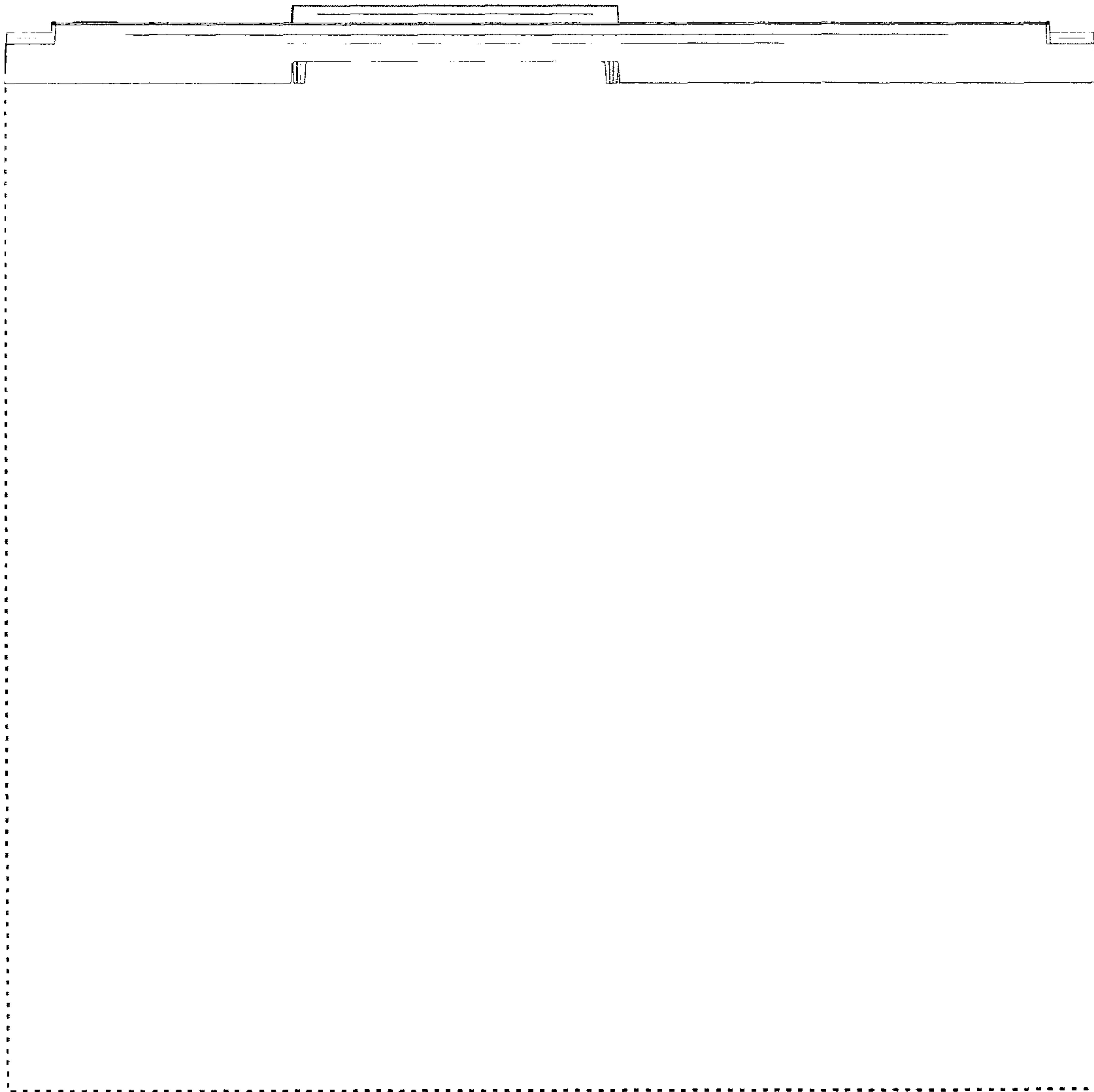


Fig. 5



Fig. 6