



US00D555159S

(12) **United States Design Patent**  
**Cox et al.**

(10) **Patent No.:** **US D555,159 S**

(45) **Date of Patent:** **\*\* Nov. 13, 2007**

(54) **BEZEL FOR NETWORK ATTACHED STORAGE DRAWER**

(74) *Attorney, Agent, or Firm*—James R. Nock

(75) Inventors: **Aaron R. Cox**, Tucson, AZ (US); **Joni E. Saylor**, Tucson, AZ (US)

(57) **CLAIM**

The ornamental design of a bezel for network attached storage drawer, as shown and described.

(73) Assignee: **International Business Machines Corporation**, Armonk, NY (US)

**DESCRIPTION**

(\*\*) Term: **14 Years**

(21) Appl. No.: **29/254,439**

FIG. 1 is a front, right perspective view of the bezel for network attached storage drawer;

(22) Filed: **Feb. 23, 2006**

FIG. 2 is a front, left perspective view of the bezel for network attached storage drawer;

(51) **LOC (8) Cl.** ..... **14-02**

(52) **U.S. Cl.** ..... **D14/439; D14/445**

FIG. 3 is a front view of the bezel for network attached storage drawer;

(58) **Field of Classification Search** ..... D14/439, D14/441–446, 366–368; D13/162, 184, D13/199; 312/223.1–223.3; 360/99.01–99.12; 361/680–686, 690–696, 725; 174/72 A  
See application file for complete search history.

FIG. 4 is a top view of the bezel for network attached storage drawer;

FIG. 5 is a left side view of the bezel for network attached storage drawer; and,

FIG. 6 is a right side view of the bezel for network attached storage drawer.

(56) **References Cited**

**U.S. PATENT DOCUMENTS**

D386,482 S \* 11/1997 Ito et al. .... D14/368  
6,392,149 B1 \* 5/2002 Kim et al. .... 174/72 A  
6,657,867 B2 \* 12/2003 Smith ..... 361/725  
2004/0207297 A1 \* 10/2004 Chen et al. .... 312/223.2  
2005/0099766 A1 \* 5/2005 Fraley et al. .... 361/685

The bottom view of the bezel for the network attached storage drawer is identical to FIG. 4.

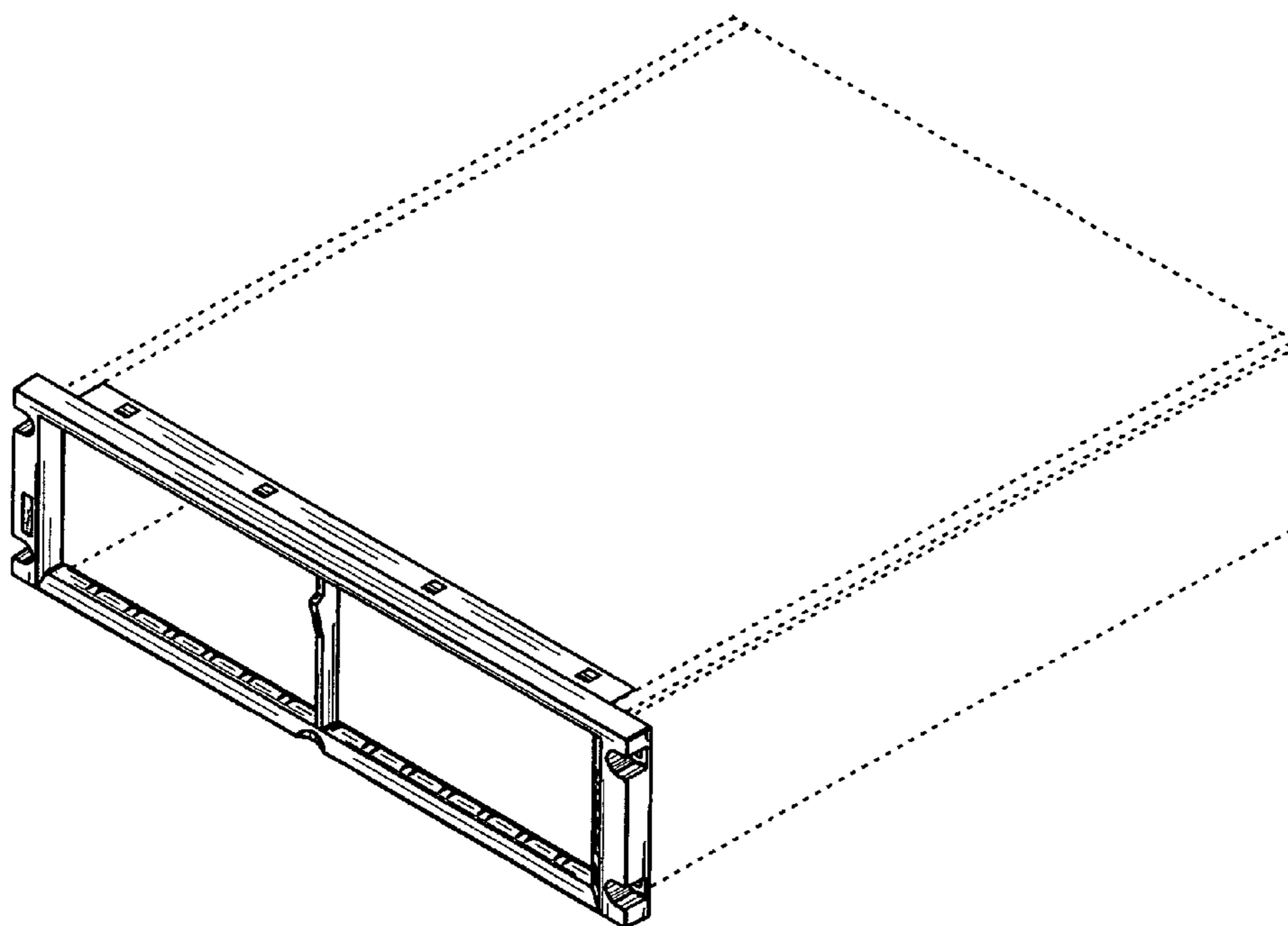
The back view of the bezel for the network attached storage drawer is unornamented.

The network attached storage drawer to which bezel is attached is shown in dashed lines, and should not be considered part of the current invention.

\* cited by examiner

*Primary Examiner*—Freda S. Nunn

**1 Claim, 6 Drawing Sheets**



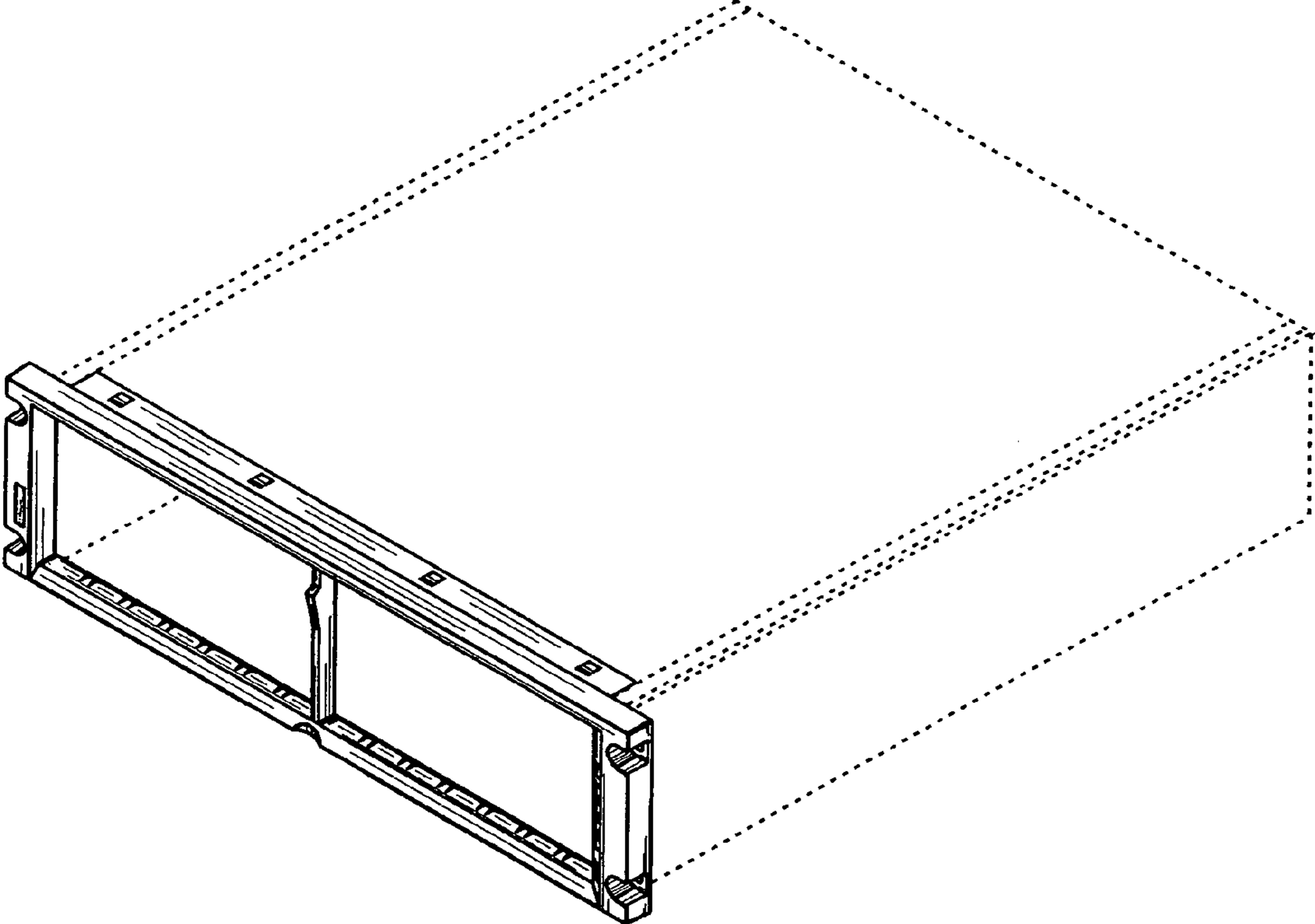


Fig. 1

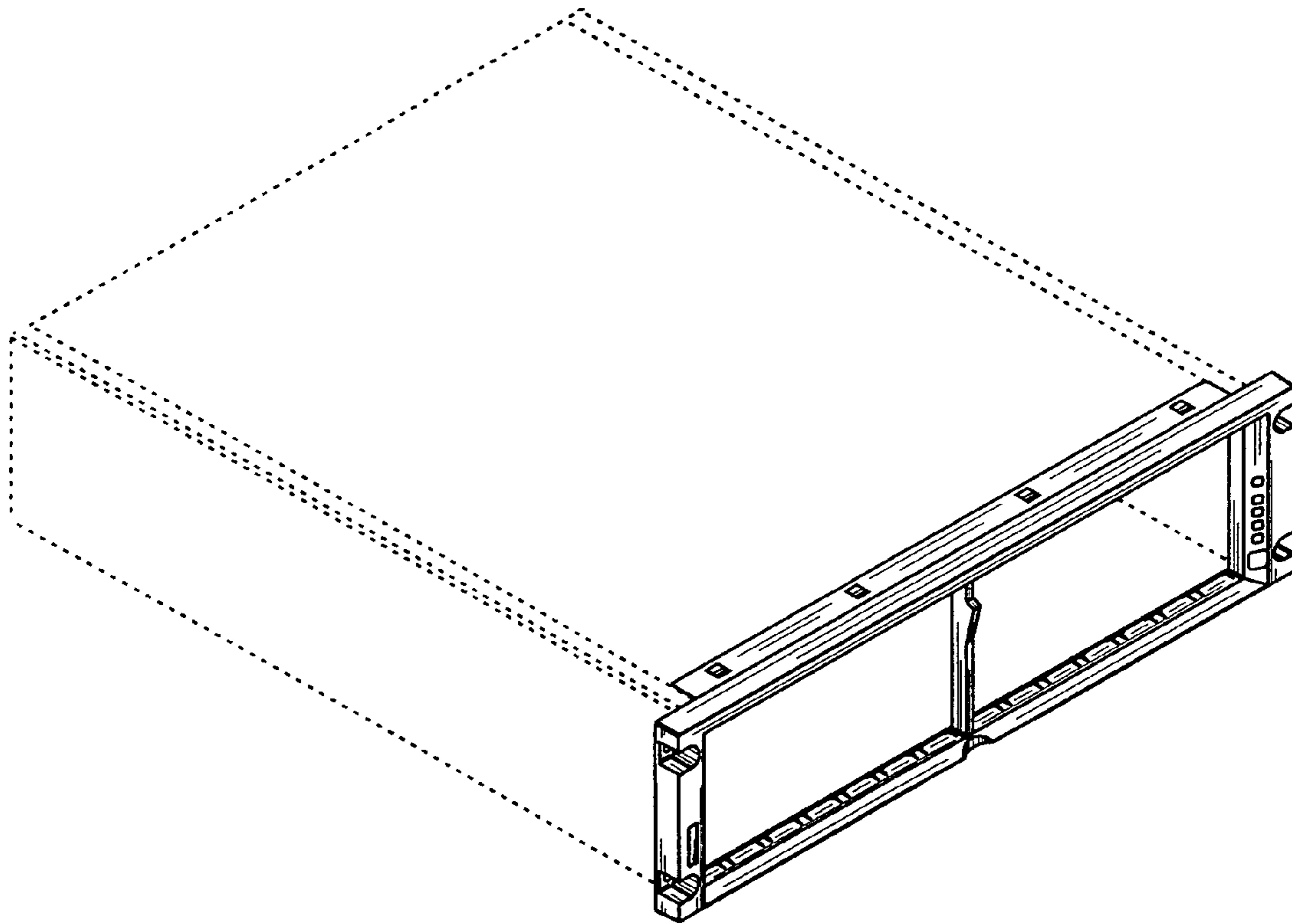


Fig.2

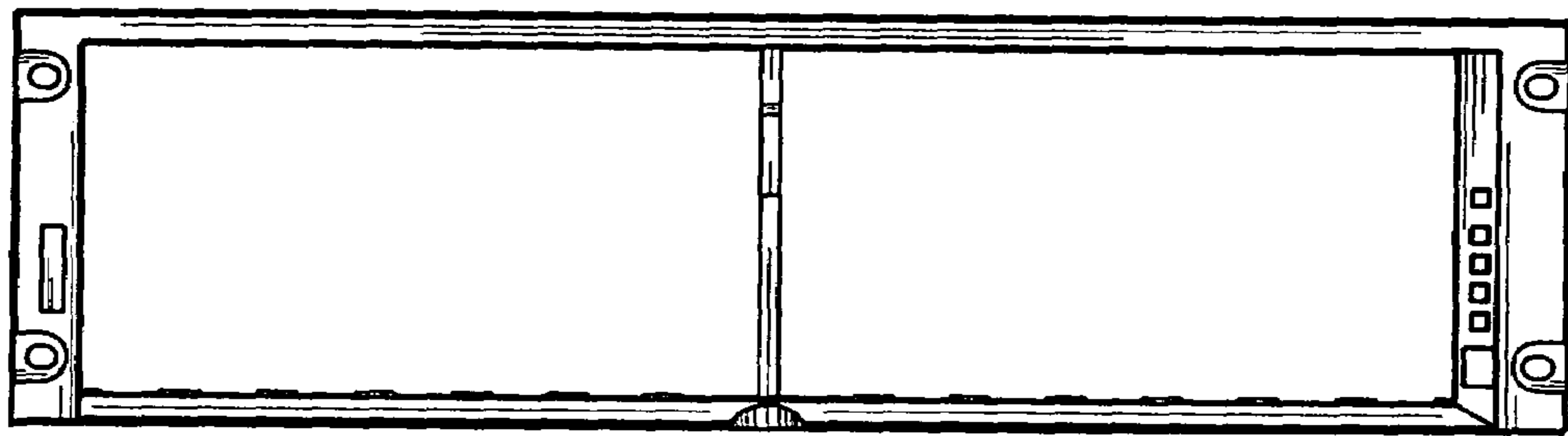


Fig. 3

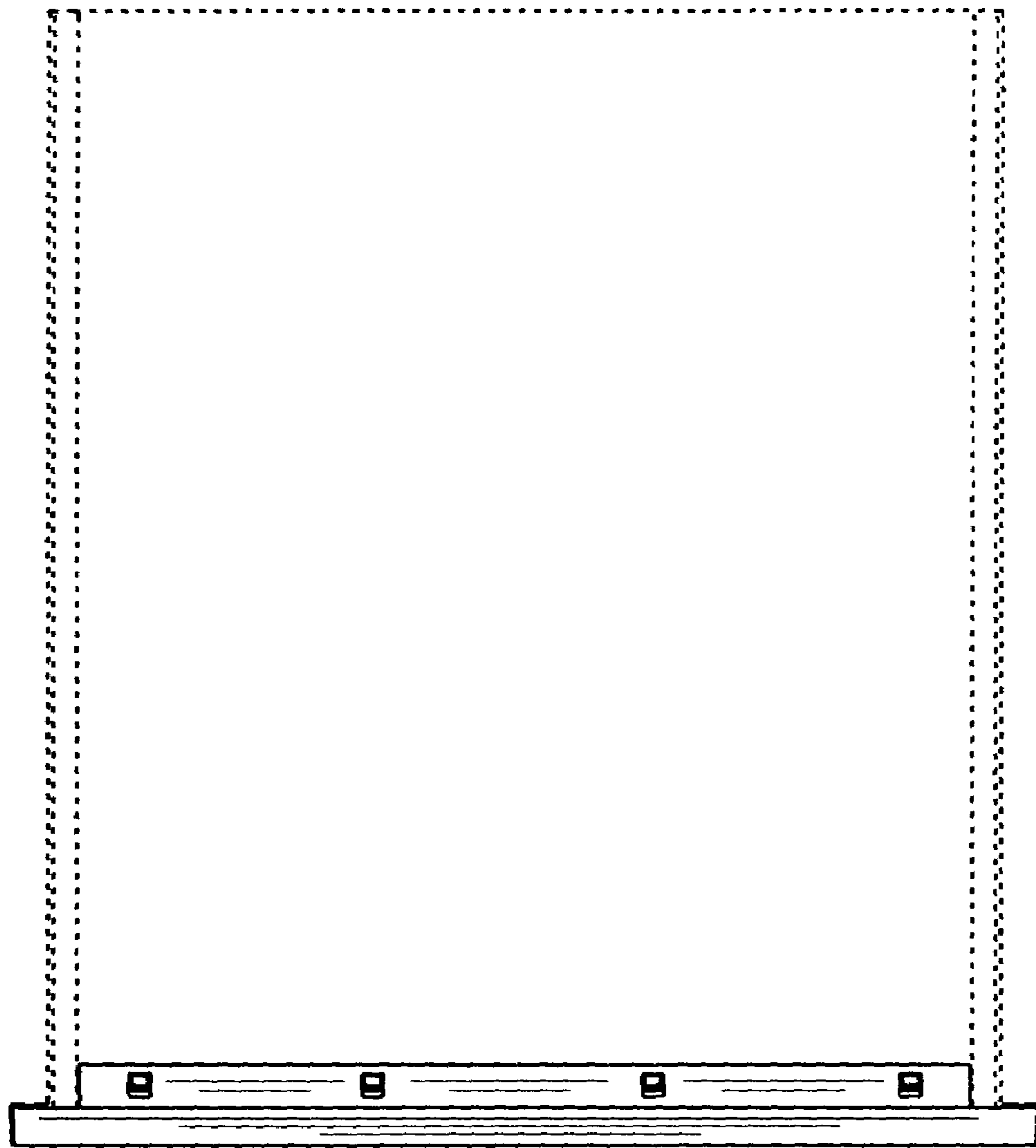


Fig. 4

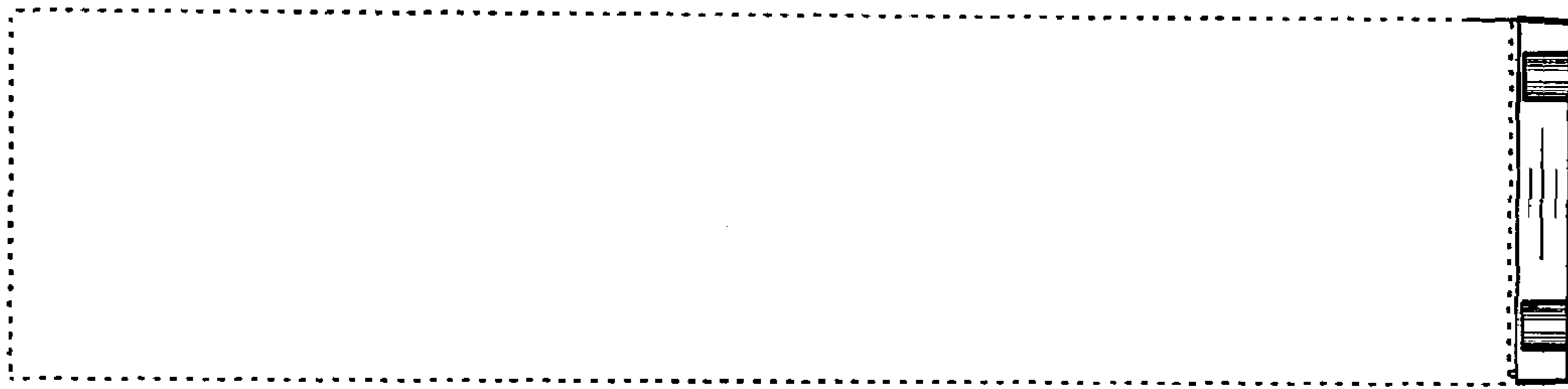


Fig. 5



Fig. 6