



US00D555155S

(12) **United States Design Patent**
Su et al.

(10) **Patent No.:** **US D555,155 S**

(45) **Date of Patent:** **** Nov. 13, 2007**

(54) **MULTI-BAND ANTENNA**

(75) Inventors: **Jia-hung Su**, Tu-Cheng (TW);
Ching-cui Lin, Tu-Cheng (TW);
Hung-jen Chen, Tu-Cheng (TW); **Kai Shih**, Tu-Cheng (TW); **Yu-yuan Wu**, Tu-Cheng (TW)

(73) Assignee: **Cheng Uei Precision Industry Co., Ltd.**, Taipei Hsien (TW)

(**) Term: **14 Years**

(21) Appl. No.: **29/274,689**

(22) Filed: **May 16, 2007**

(51) **LOC (8) Cl.** **14-03**

(52) **U.S. Cl.** **D14/230**

(58) **Field of Classification Search** D14/138,
D14/230-238, 299, 358; D12/42, 43; 343/700 R-705,
343/871-908, 795, 840, 711-713, 819, 846;
455/90.2, 90.3, 91, 128, 269, 344, 347, 562.1
See application file for complete search history.

(56) **References Cited**

U.S. PATENT DOCUMENTS

D492,672 S * 7/2004 Hung et al. D14/230

D531,622 S * 11/2006 Chen et al. D14/230
D534,527 S * 1/2007 Hung et al. D14/230
D534,902 S * 1/2007 Su et al. D14/230
D534,903 S * 1/2007 Hung et al. D14/230
D535,290 S * 1/2007 Su et al. D14/230

* cited by examiner

Primary Examiner—Stella M. Reid

Assistant Examiner—John Windmuller

(74) *Attorney, Agent, or Firm*—Rosenberg, Klein & Lee

(57) **CLAIM**

The ornamental design for a multi-band antenna, as shown and described.

DESCRIPTION

FIG. 1 is a perspective view of a multi-band antenna showing our new design;

FIG. 2 is a front elevational view thereof;

FIG. 3 is a rear elevational view thereof;

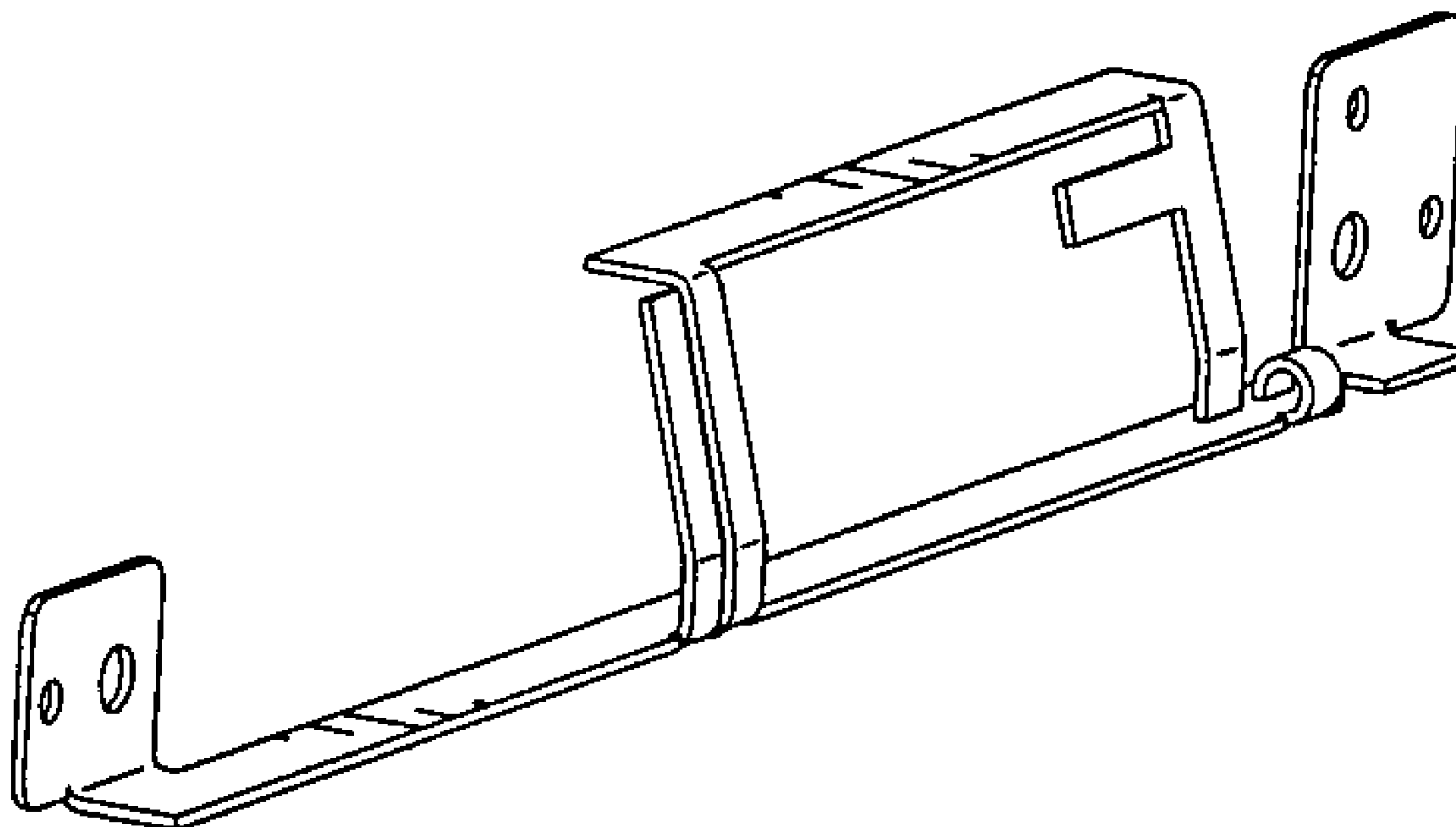
FIG. 4 is a left side elevational view thereof;

FIG. 5 is a right side elevational view thereof;

FIG. 6 is a top plan view thereof; and,

FIG. 7 is a bottom plan view thereof.

1 Claim, 7 Drawing Sheets



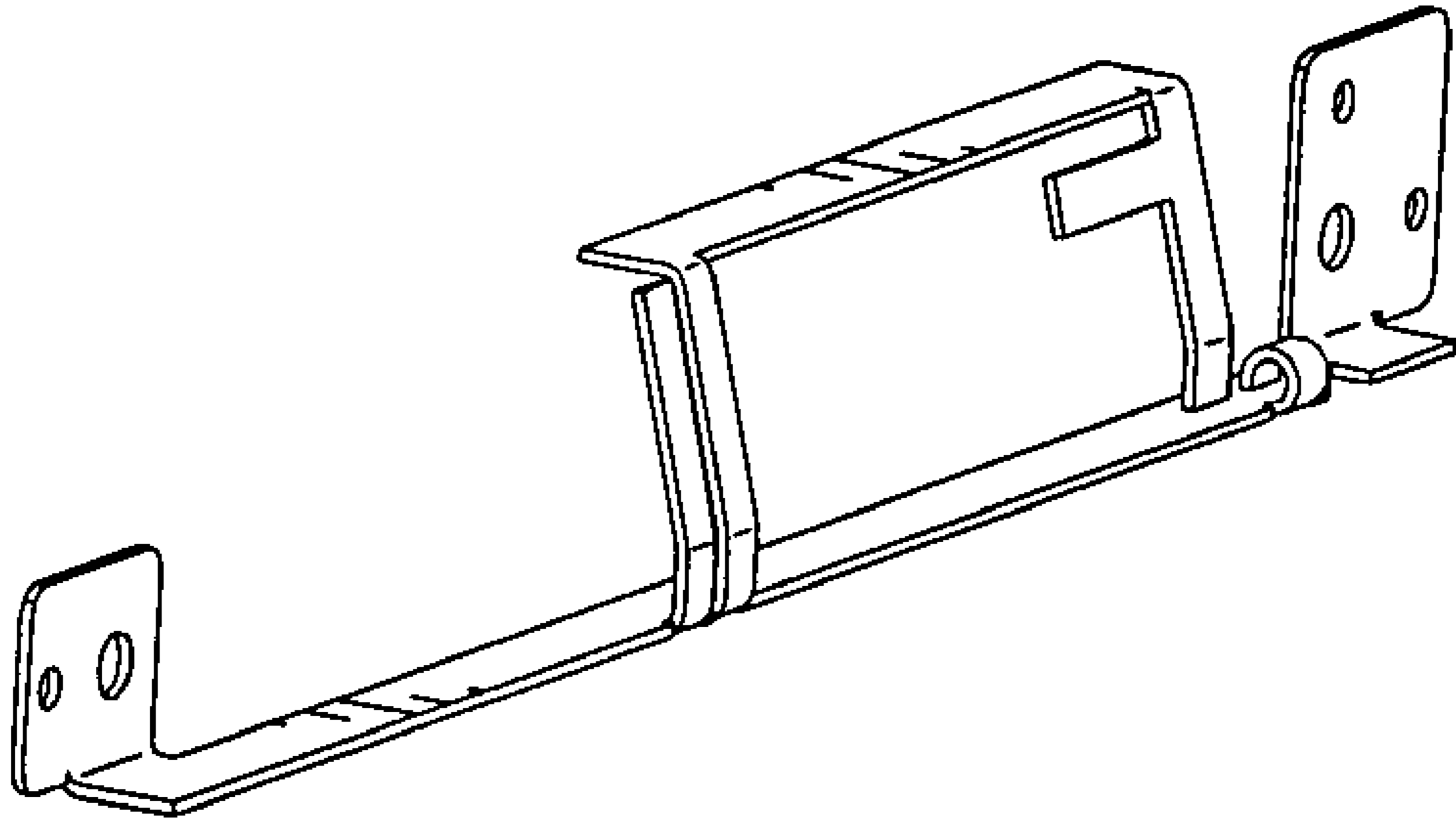


FIG. 1

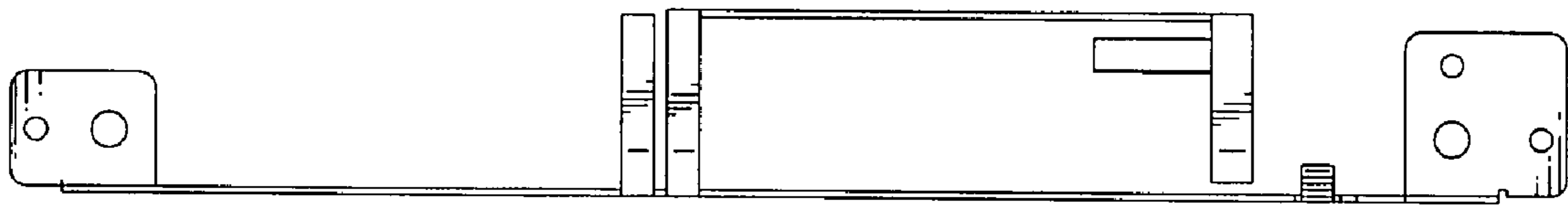


FIG. 2

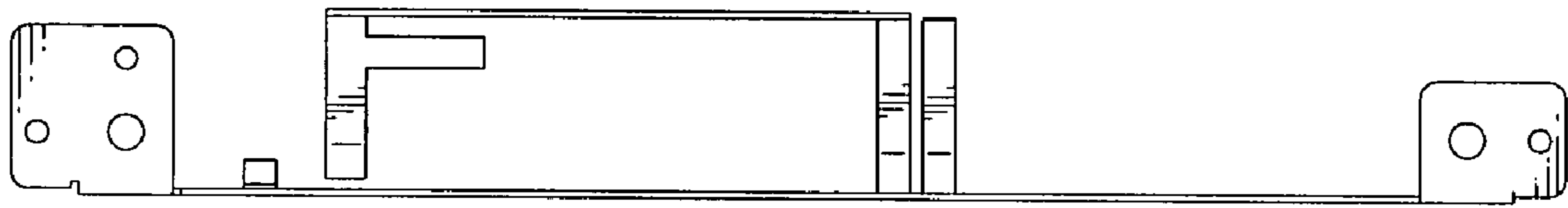


FIG. 3

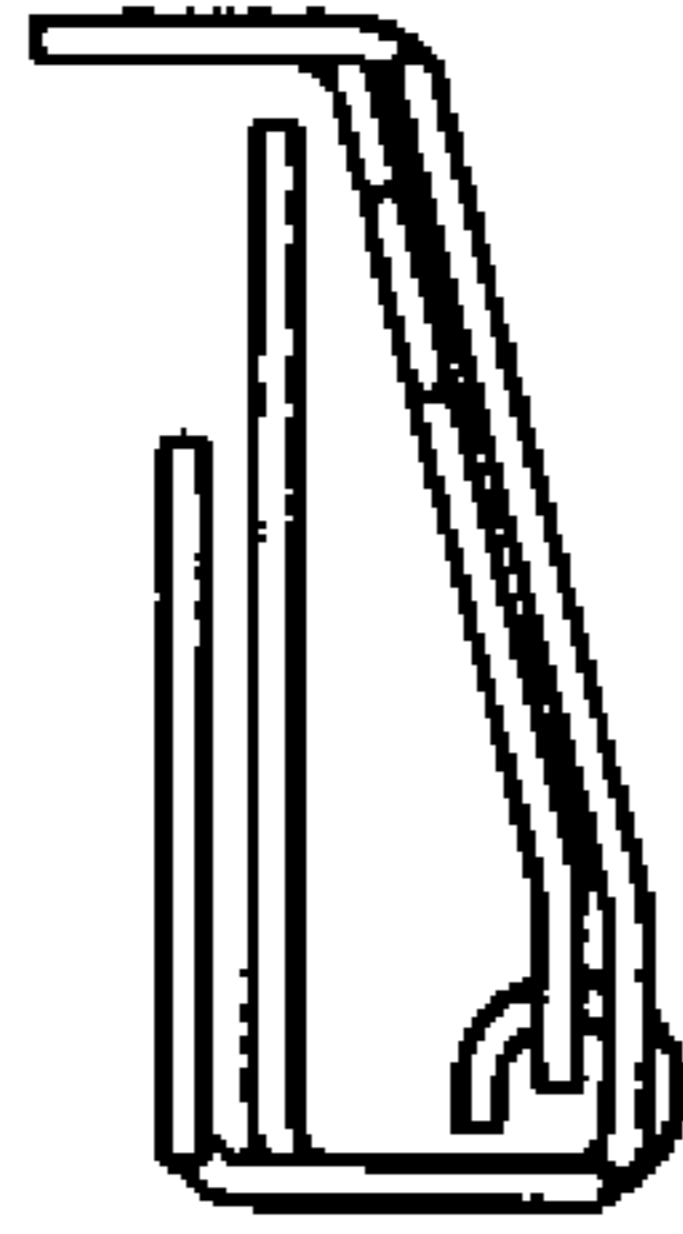


FIG. 4

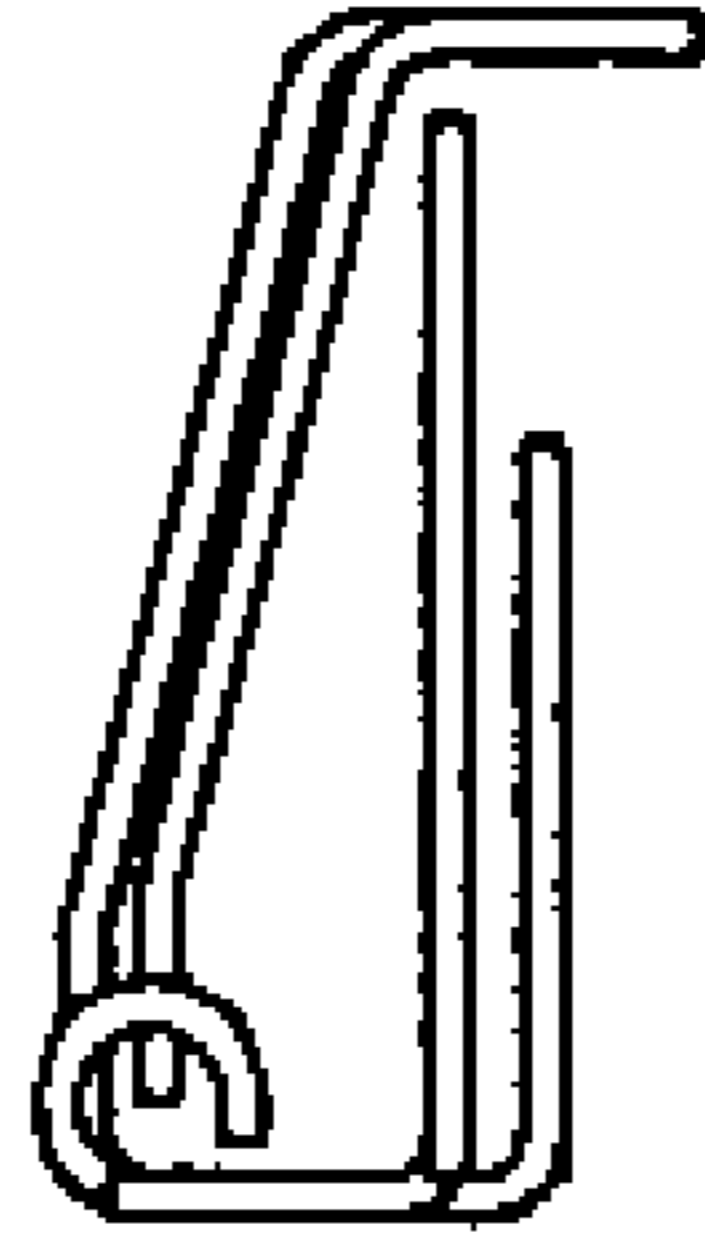


FIG. 5

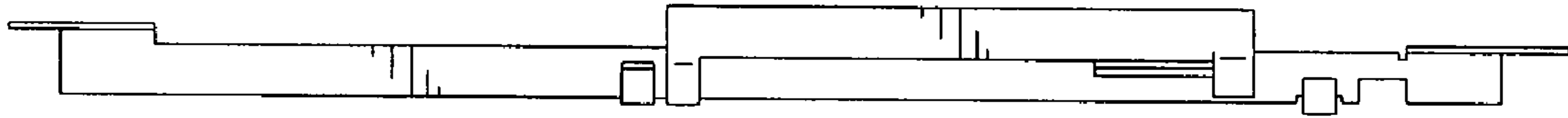


FIG. 6

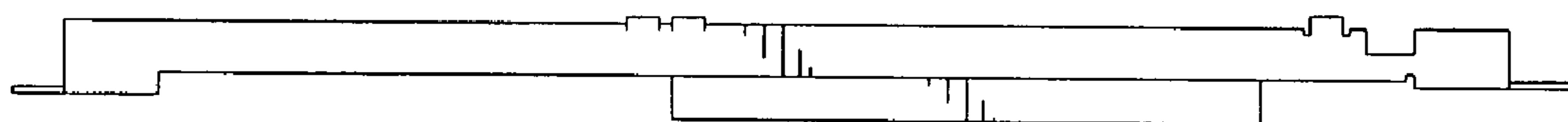


FIG. 7