



US00D555153S

(12) **United States Design Patent**
Wilson et al.

(10) **Patent No.:** **US D555,153 S**

(45) **Date of Patent:** **** Nov. 13, 2007**

(54) **WIRELESS COMMUNICATIONS HEADSET**

(75) Inventors: **Jay Wilson**, Portola Valley, CA (US);
Claude Zellweger, San Francisco, CA (US)

(73) Assignee: **Plantronics, Inc.**, Santa Cruz, CA (US)

(**) Term: **14 Years**

(21) Appl. No.: **29/265,050**

(22) Filed: **Aug. 24, 2006**

(51) **LOC (8) Cl.** **14-01**

(52) **U.S. Cl.** **D14/223**

(58) **Field of Classification Search** D14/188,
D14/192, 205–206, 223; D24/174; 455/575.1,
455/575.2; 181/128–130; 379/430–431;
381/370, 374, 375–379, 380–381, 150, 361
See application file for complete search history.

(56) **References Cited**

U.S. PATENT DOCUMENTS

D366,486 S *	1/1996	Runquist et al.	D14/206
D439,890 S *	4/2001	Skulley et al.	D14/223
D451,907 S *	12/2001	Amae et al.	D14/223
D460,960 S *	7/2002	Kao	D14/223
D464,943 S *	10/2002	Lai	D14/206
D472,231 S *	3/2003	Eisenbraun	D14/223
D478,574 S *	8/2003	Ming	D14/223

D478,901 S *	8/2003	Rath et al.	D14/223
6,819,762 B2 *	11/2004	Jones et al.	379/430
6,944,307 B2 *	9/2005	Berg	381/150
D512,991 S *	12/2005	Yano	D14/223
7,106,877 B1 *	9/2006	Linville	381/381

* cited by examiner

Primary Examiner—Paula A. Greene

(57) **CLAIM**

The ornamental design for a wireless communications headset, as shown and described.

DESCRIPTION

This application is related to U.S. design application Ser. No. 29/265,057 and 29/265,061 filed concurrently herewith.

FIG. 1 is an upper left front perspective view of a wireless communications headset showing our new design;

FIG. 2 is an upper right front perspective view thereof;

FIG. 3 is an top end view thereof;

FIG. 4 is a bottom end view thereof;

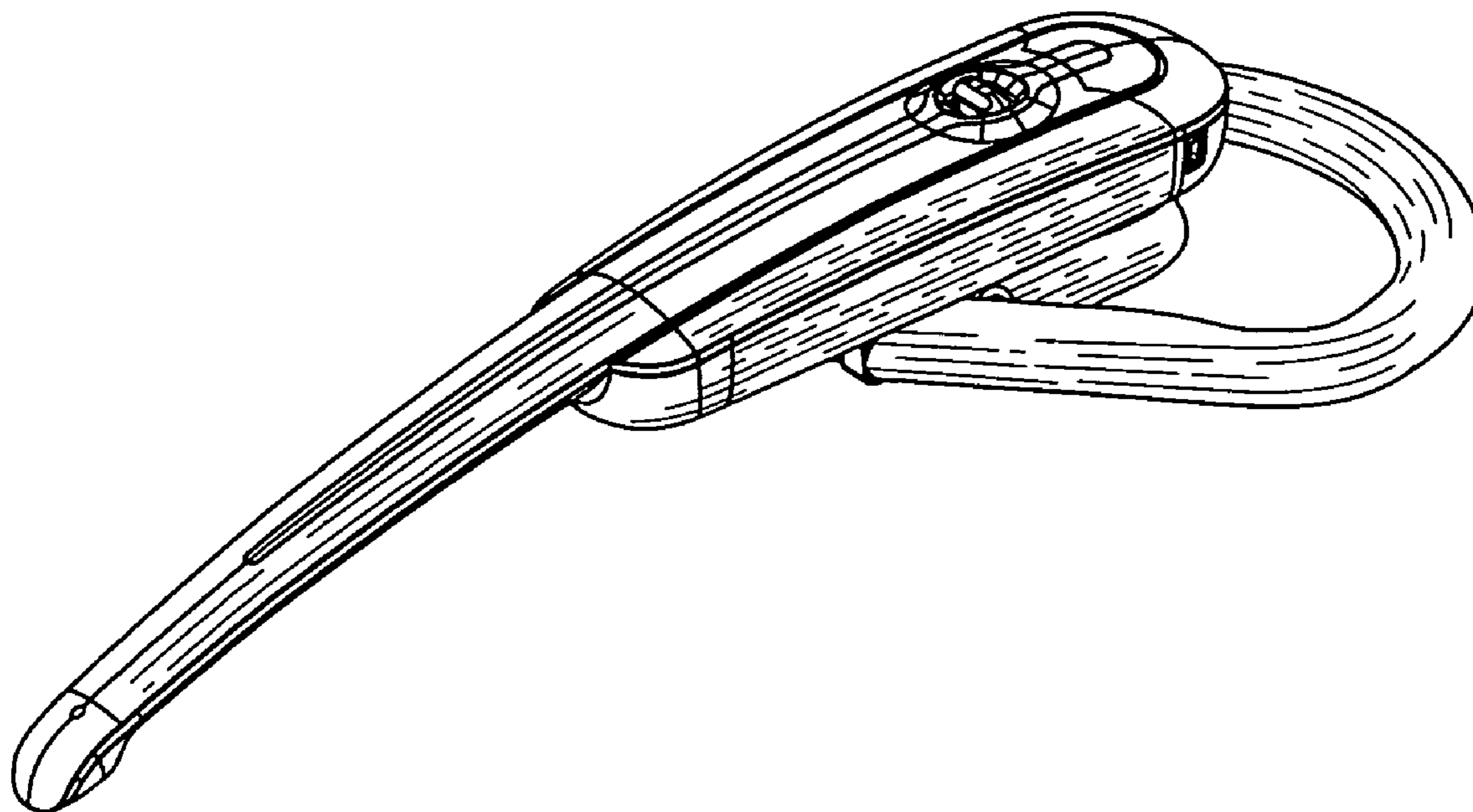
FIG. 5 is a front side elevation view thereof;

FIG. 6 is a rear side elevation view thereof;

FIG. 7 is a left side elevation view thereof; and,

FIG. 8 is a right side elevation view thereof.

1 Claim, 3 Drawing Sheets



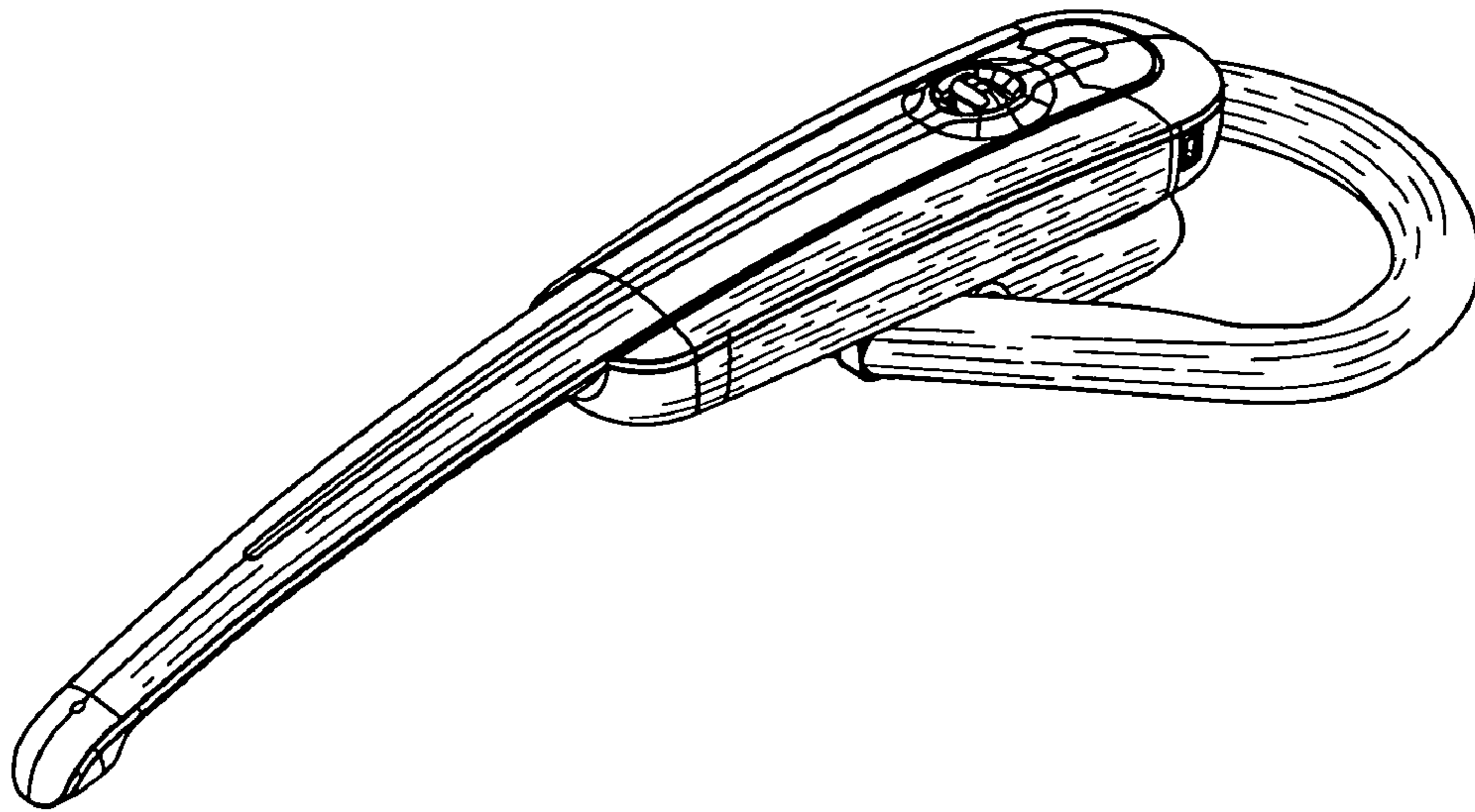


FIG. 1

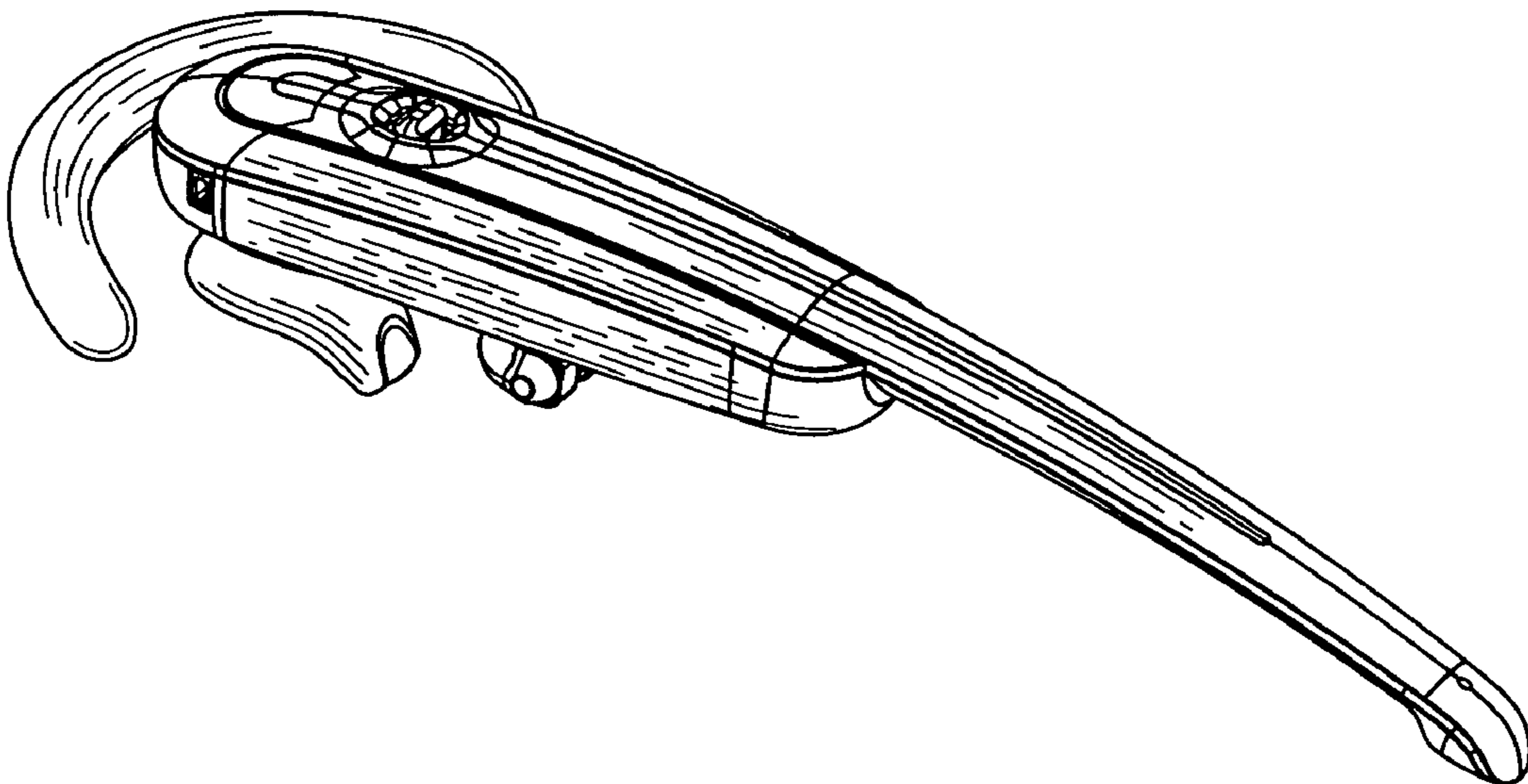


FIG. 2

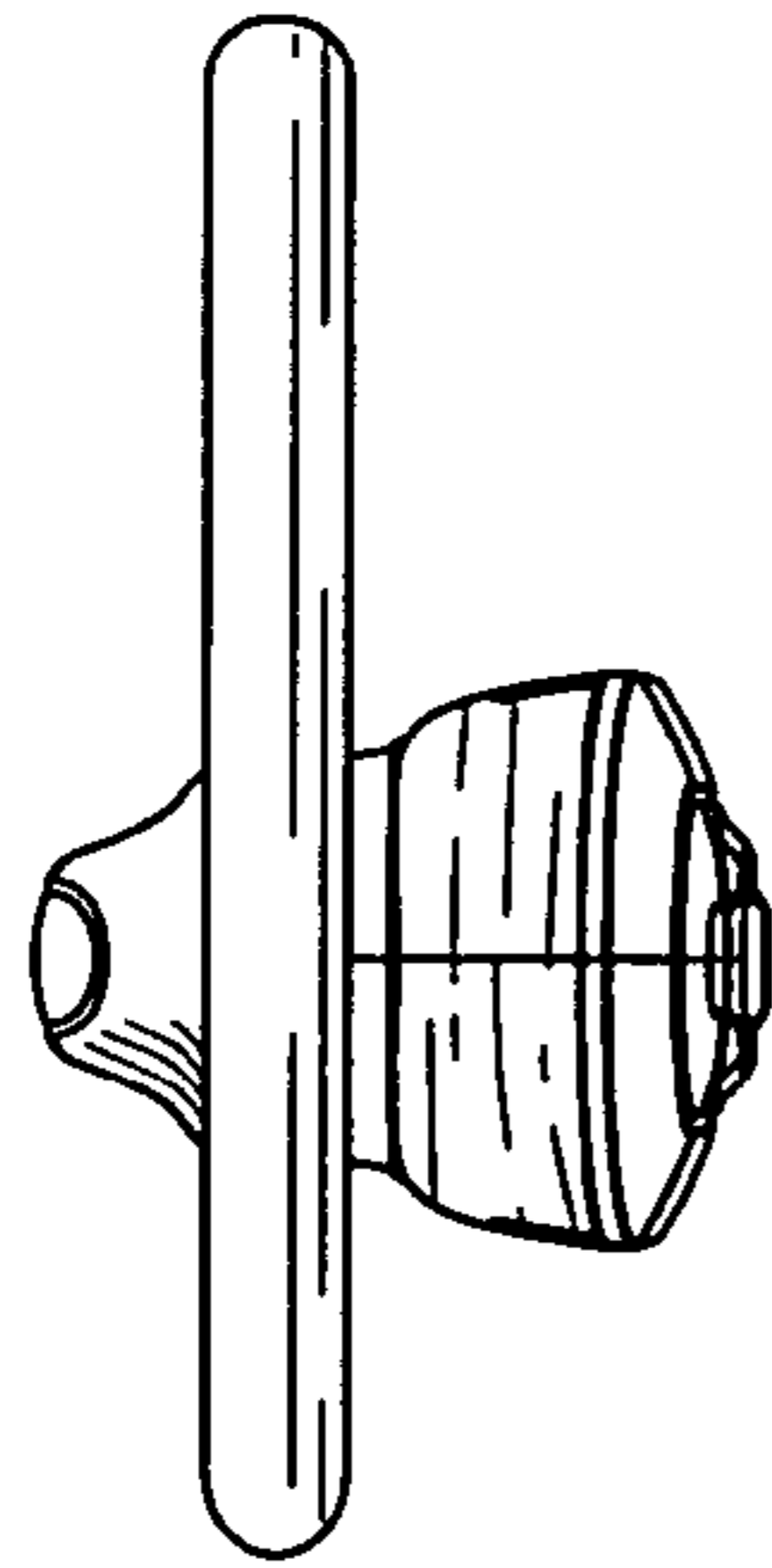


FIG. 3

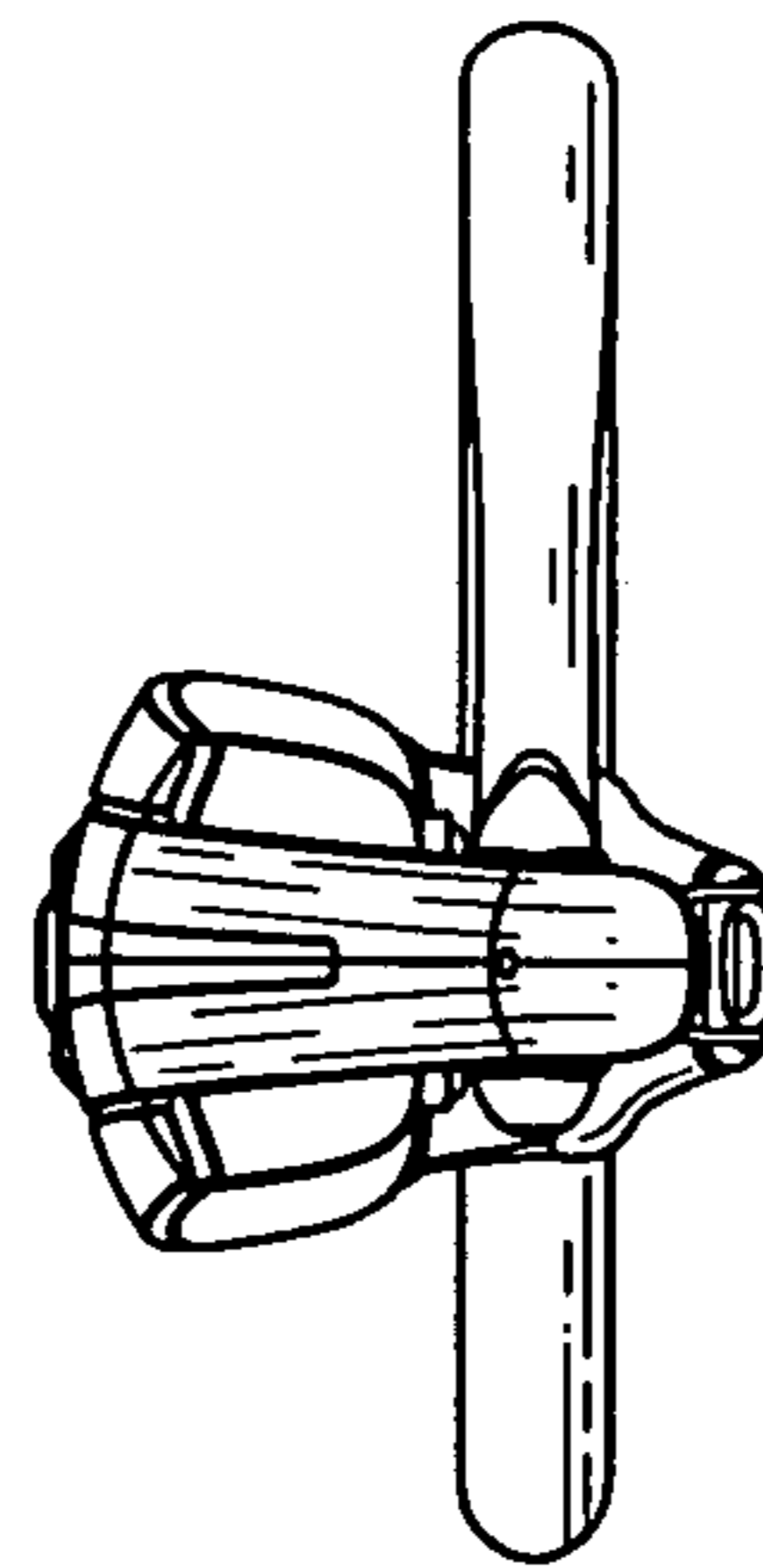


FIG. 4

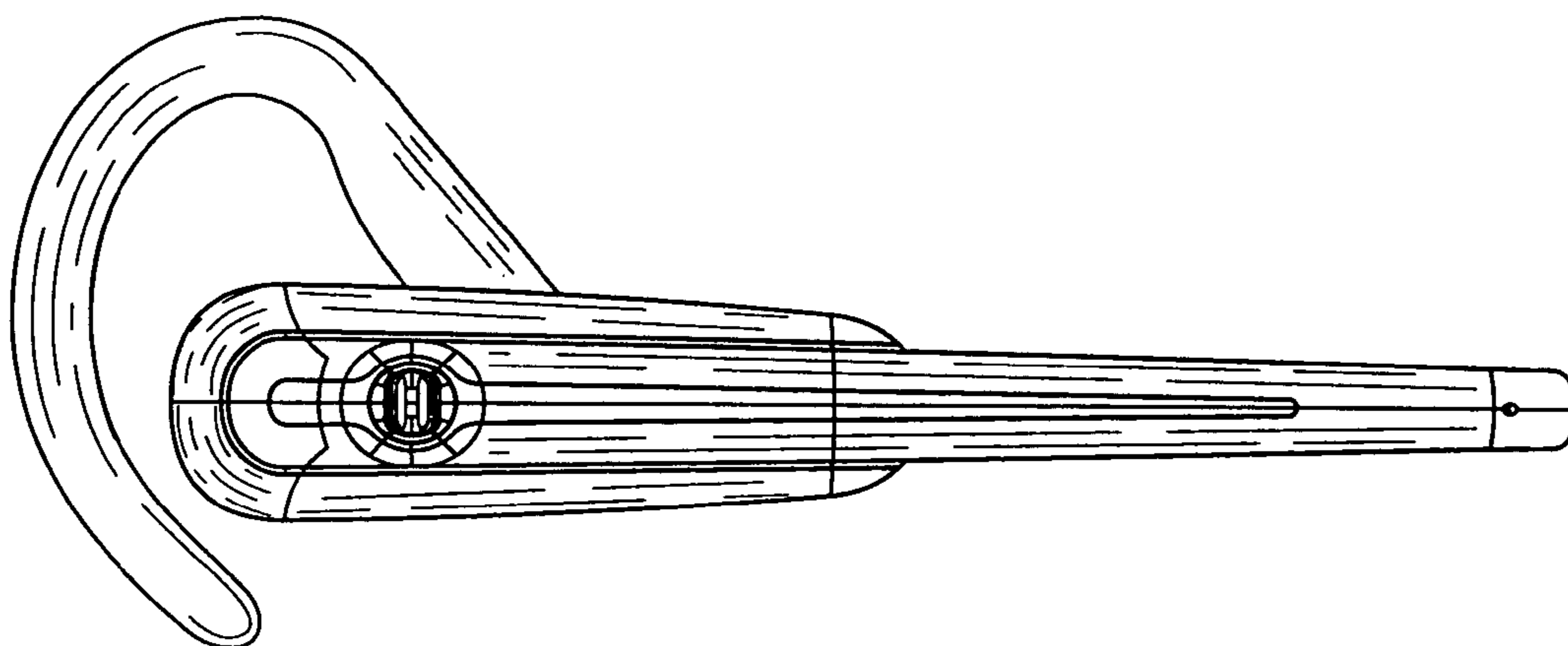


FIG. 5

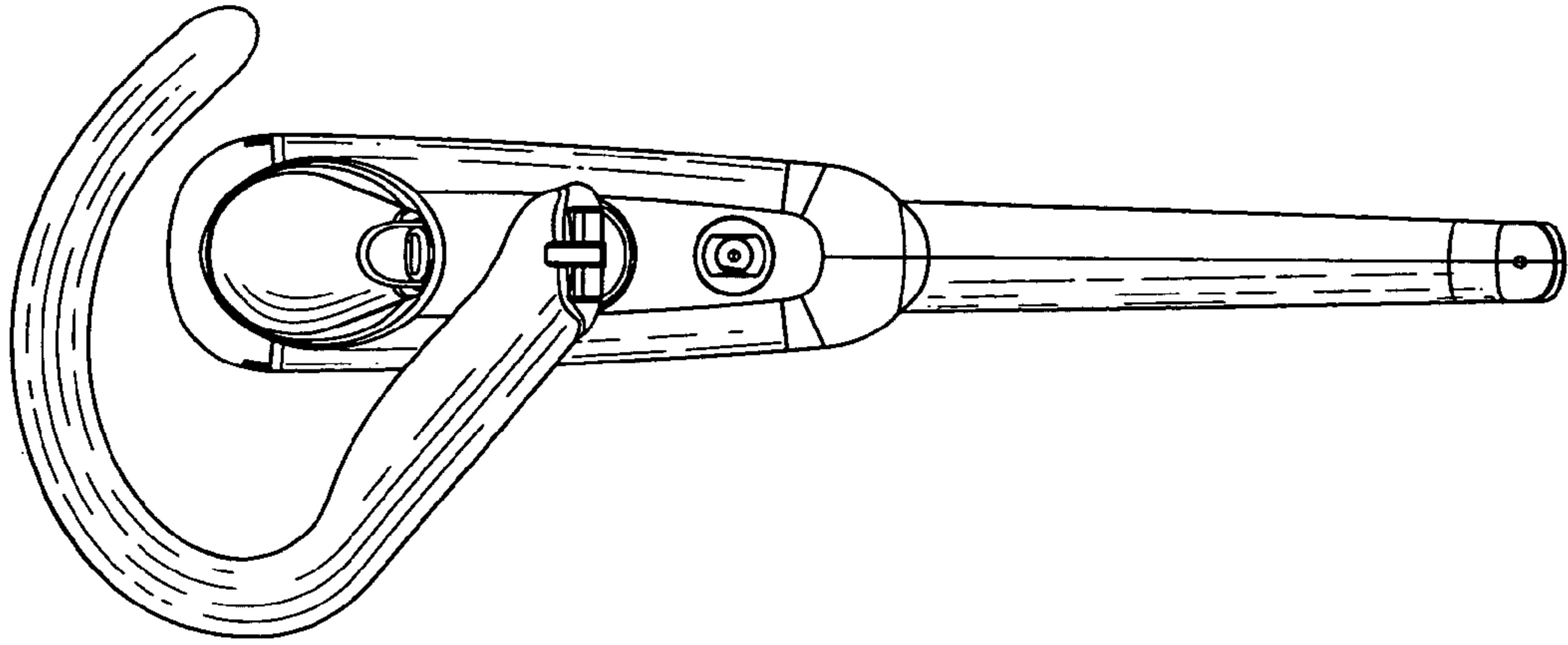


FIG. 6

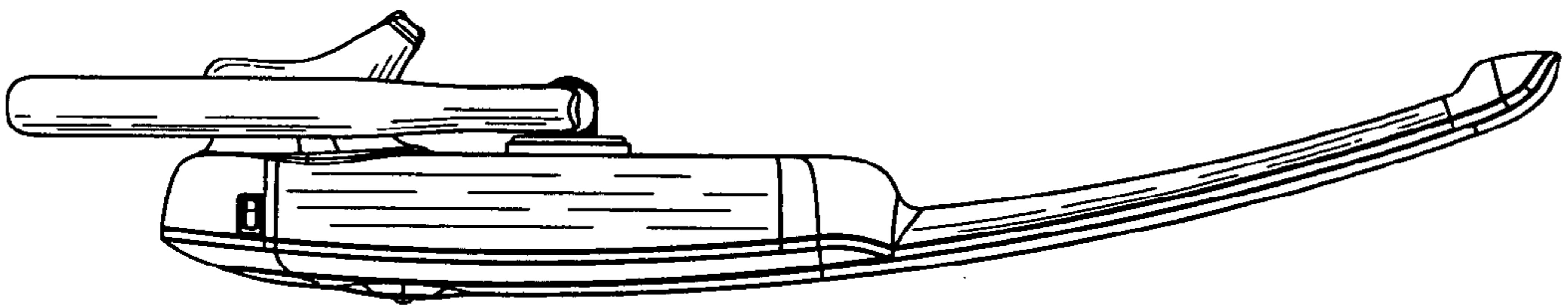


FIG. 7

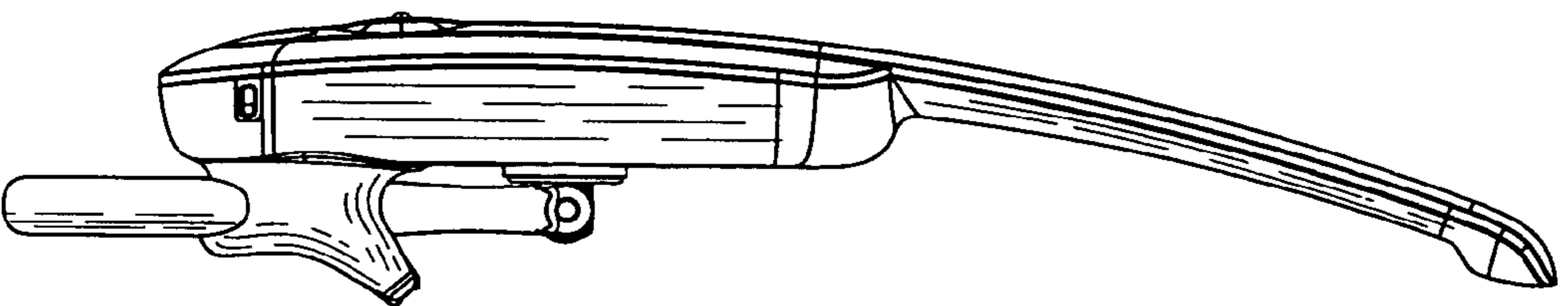


FIG. 8