



US00D555152S

(12) **United States Design Patent**
Wang

(10) **Patent No.:** **US D555,152 S**

(45) **Date of Patent:** **** Nov. 13, 2007**

(54) **COMMUNICATIONS HEADSET**

(75) Inventor: **Bowman Wang**, Ben Lomond, CA
(US)

(73) Assignee: **Plantronics, Inc.**, Santa Cruz, CA (US)

(**) Term: **14 Years**

(21) Appl. No.: **29/263,688**

(22) Filed: **Jul. 26, 2006**

(51) **LOC (8) Cl.** **14-01**

(52) **U.S. Cl.** **D14/223**

(58) **Field of Classification Search** D14/142,
D14/188, 192, 205–206, 223, 249; D24/173–174;
181/129–130, 135; 379/430–431; 381/328,
381/380, 381, 417

See application file for complete search history.

(56) **References Cited**

U.S. PATENT DOCUMENTS

1,406,510 A *	2/1922	Weber	381/380
D337,589 S *	7/1993	Wada	D14/223
D357,921 S *	5/1995	Ming-Chin	D14/223
D382,874 S *	8/1997	Peschke et al.	D14/142

D431,553 S *	10/2000	Suzuki	D14/223
D463,397 S *	9/2002	Bergfeldt	D14/205
D474,171 S *	5/2003	Suzuki	D14/206
D477,821 S *	7/2003	Bieltvedt et al.	D14/206
D487,077 S *	2/2004	Obata	D14/233
D512,990 S *	12/2005	Yang	D14/223

* cited by examiner

Primary Examiner—Paula A. Greene

(57) **CLAIM**

The ornamental design for a communications headset, as shown and described.

DESCRIPTION

FIG. 1 is a lower rear side perspective view of a communications headset showing our new design;

FIG. 2 is a top plan view thereof;

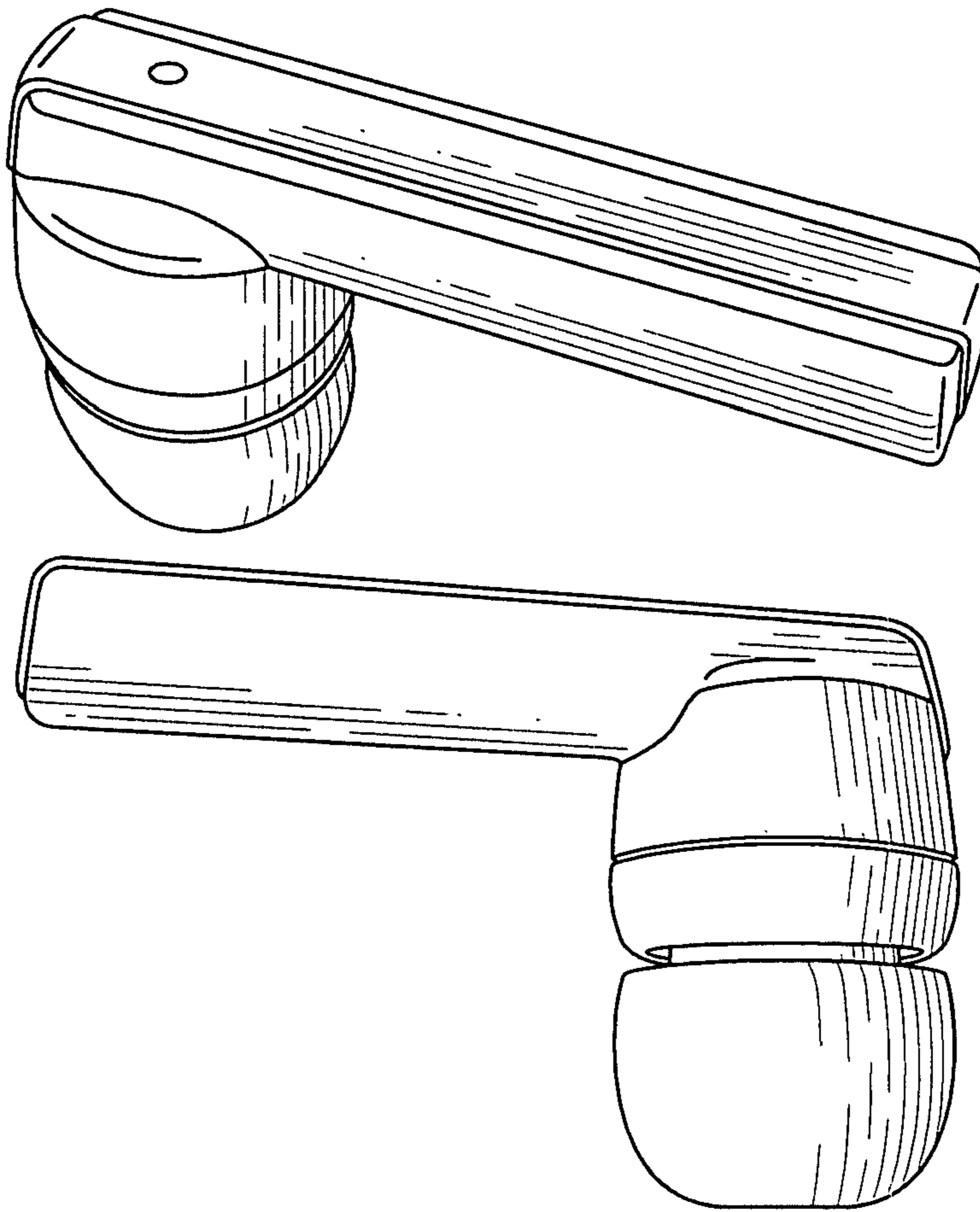
FIG. 3 is a bottom plan view thereof;

FIG. 4 is an elevation view of a first side thereof;

FIG. 5 is an elevation view of a second side thereof; and,

FIG. 6 is elevation view of a third side opposite to the second side thereof.

1 Claim, 3 Drawing Sheets



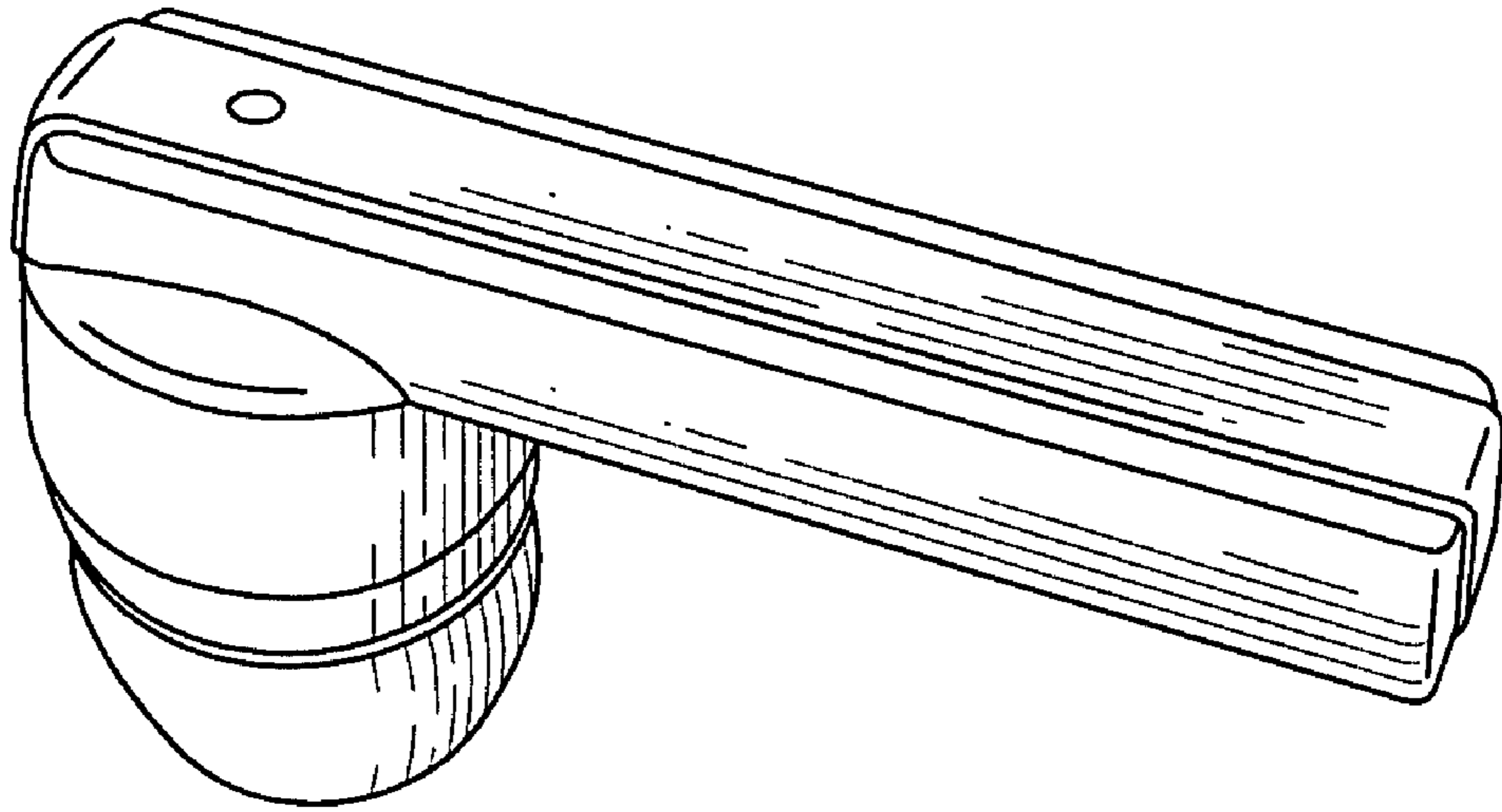


FIG. 1

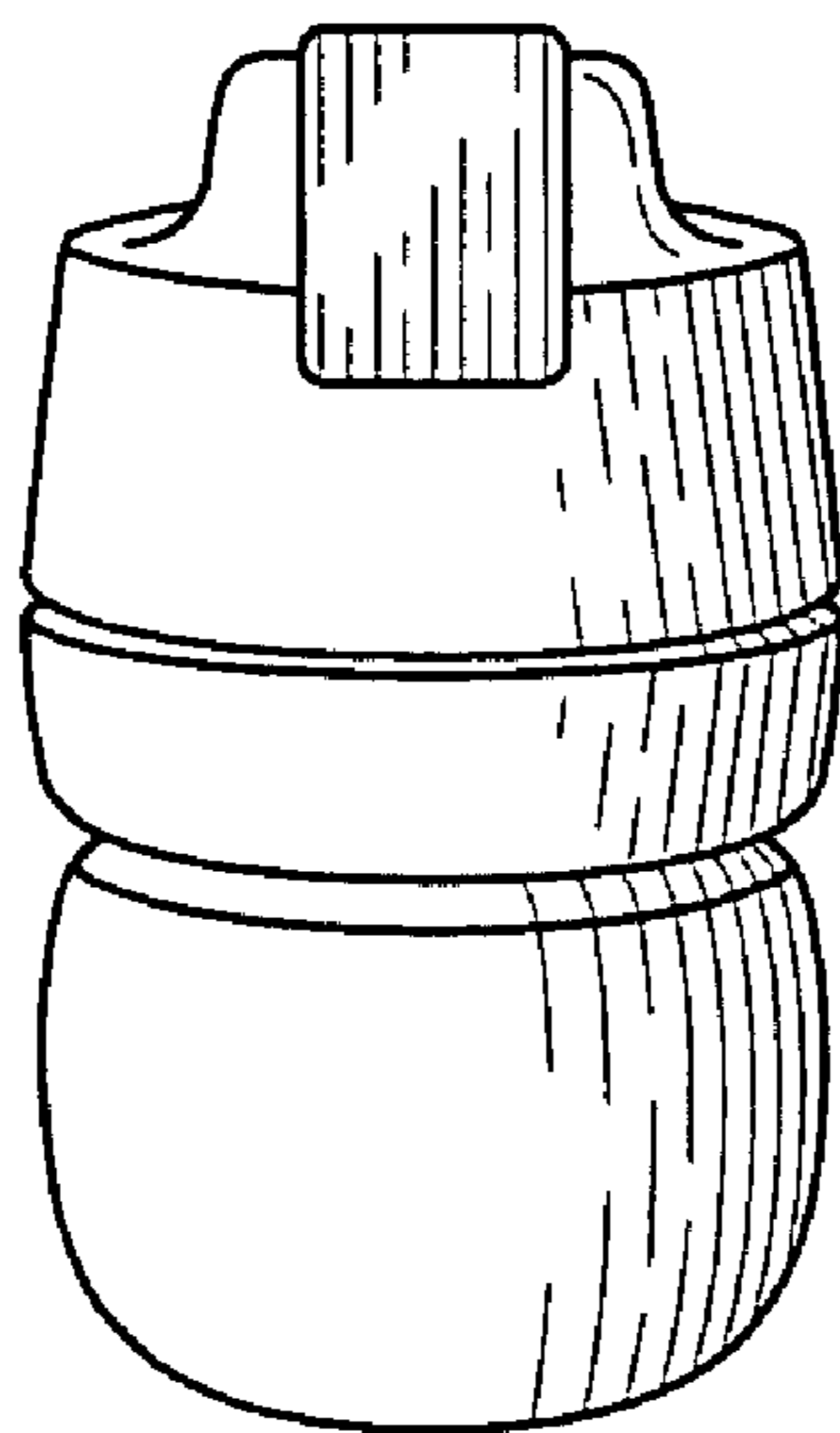


FIG. 2

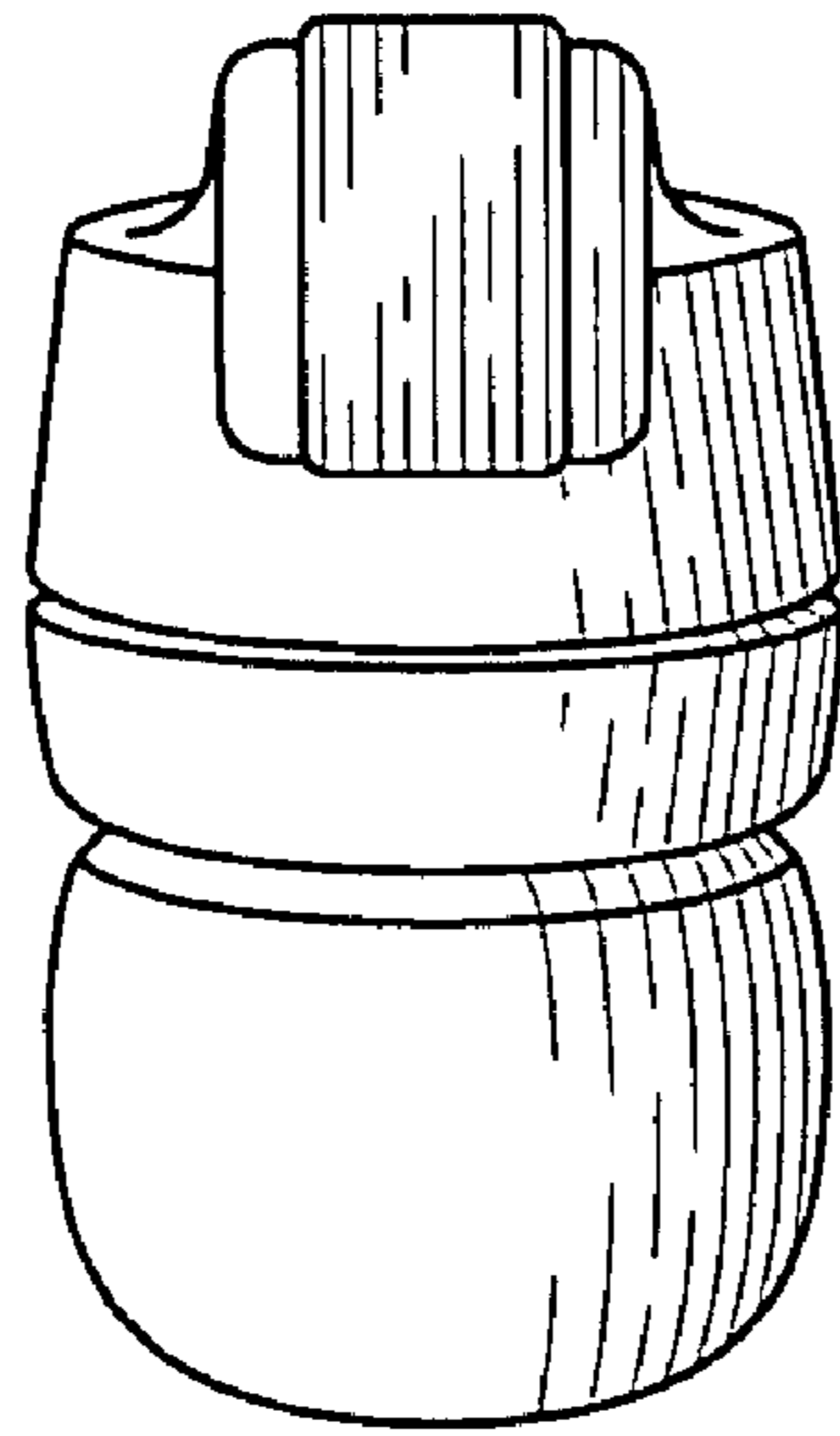


FIG. 3

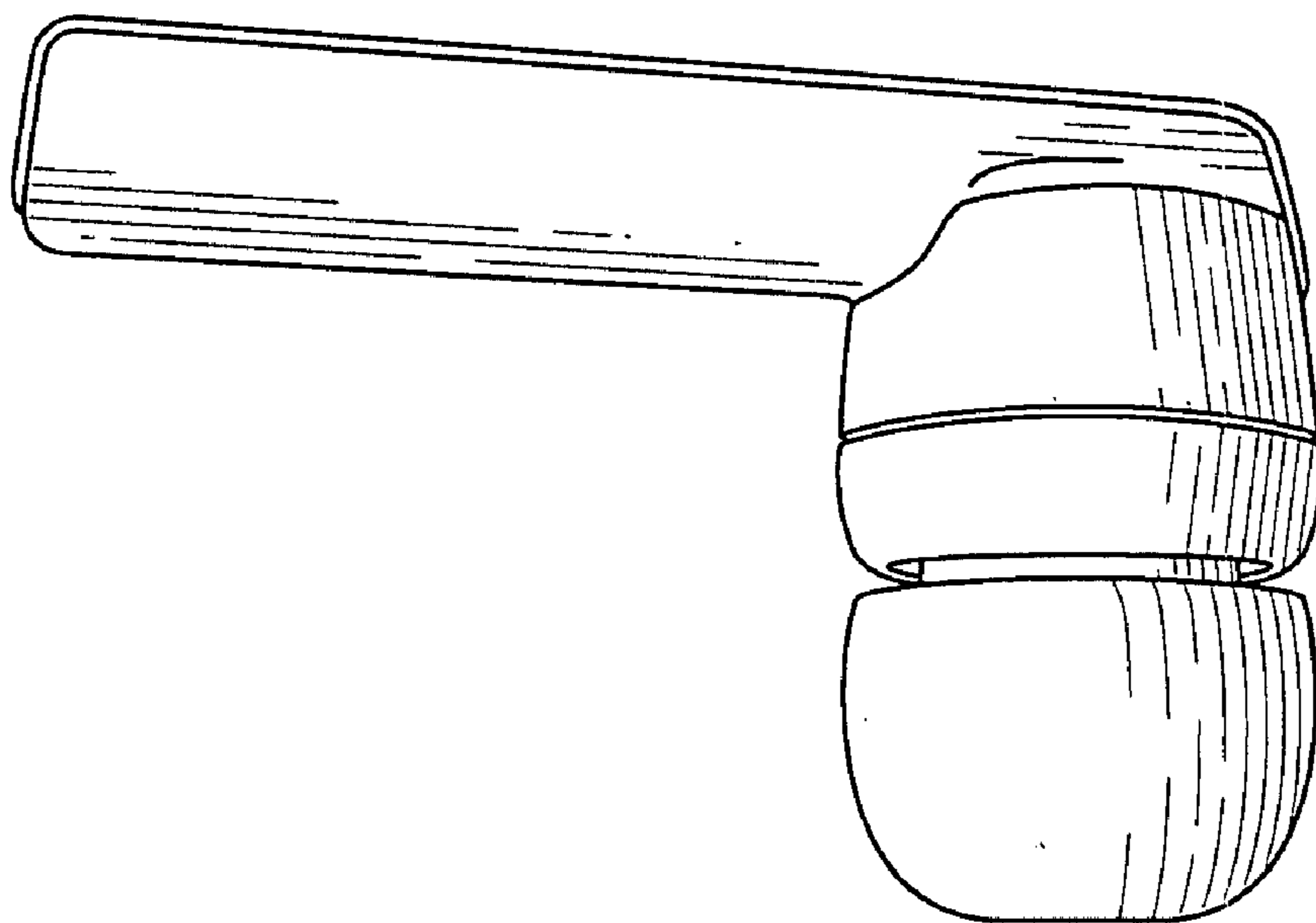


FIG. 4

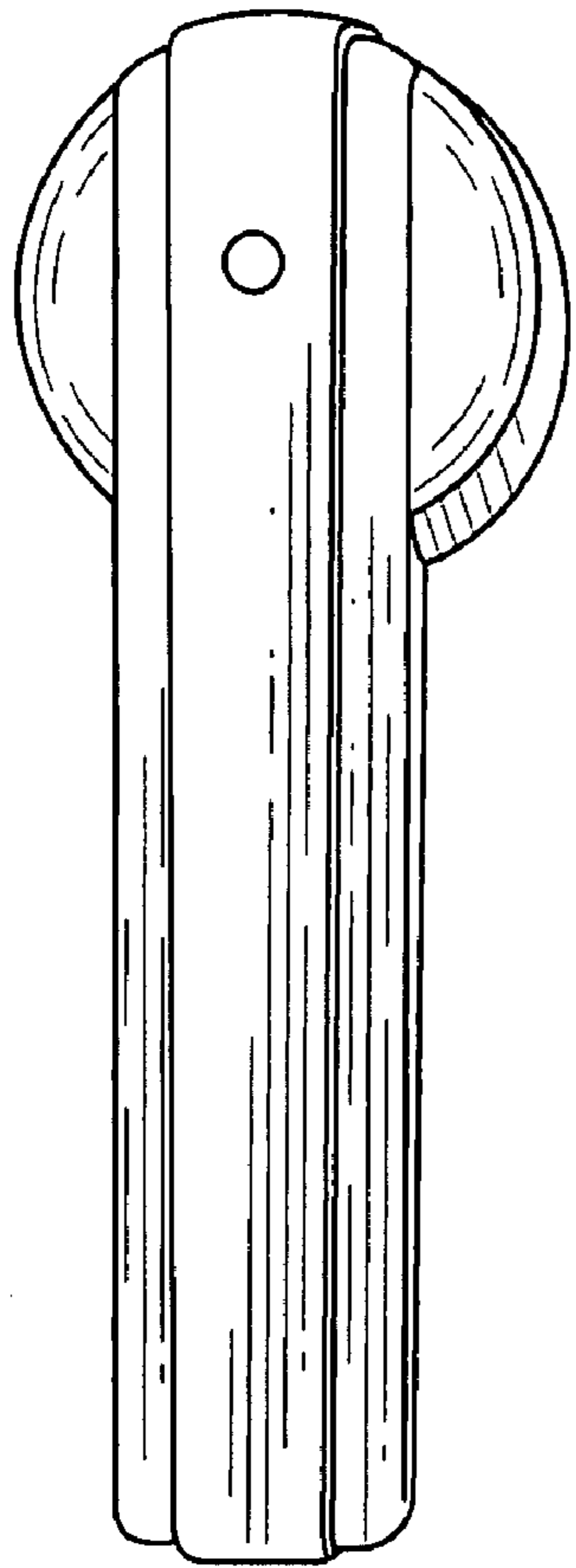


FIG. 5

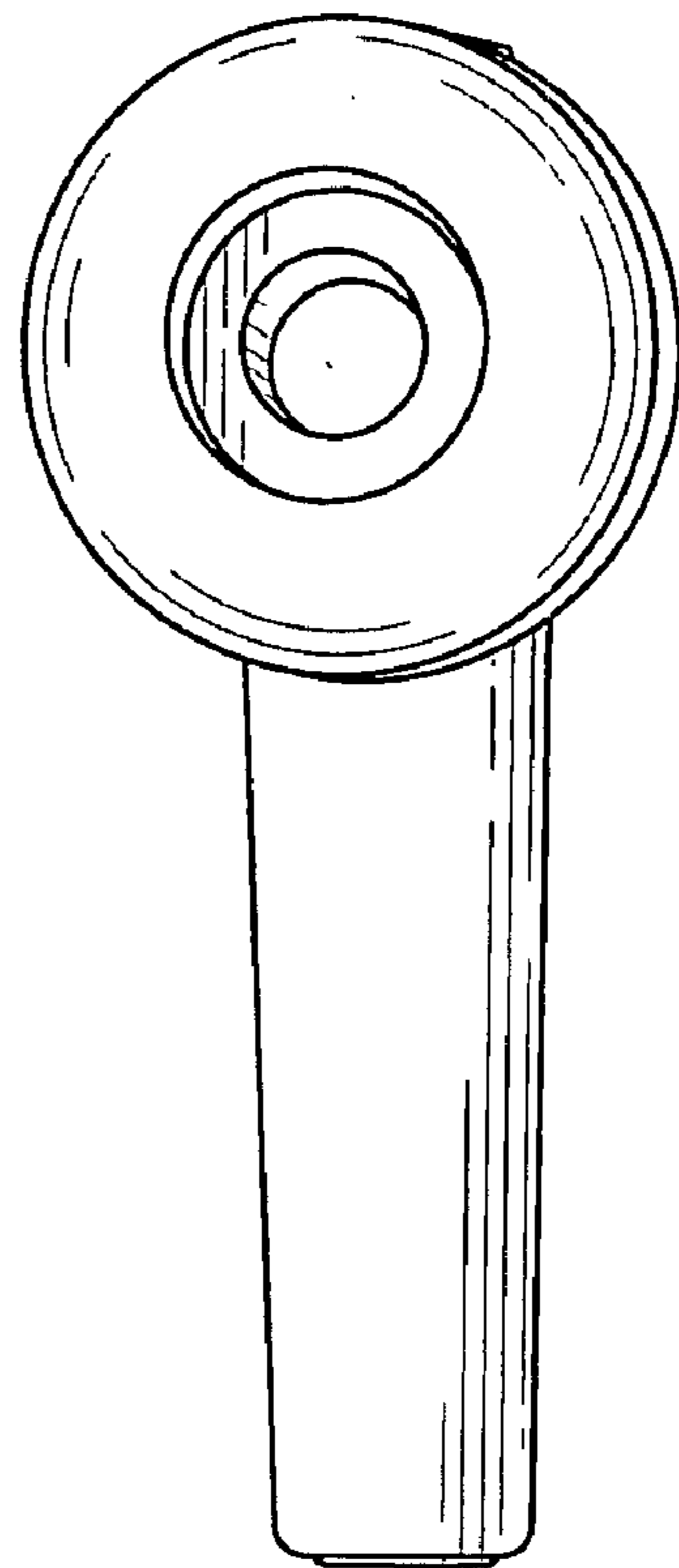


FIG. 6