



US00D555149S

(12) **United States Design Patent**
Griffin

(10) **Patent No.:** **US D555,149 S**

(45) **Date of Patent:** **** Nov. 13, 2007**

(54) **SECUREMENT DEVICE ATTACHABLE TO AN ELECTRONIC DEVICE**

(76) Inventor: **Paul Griffin**, 2846 Polo Club Rd., Nashville, TN (US) 37221

(**) Term: **14 Years**

(21) Appl. No.: **29/285,727**

(22) Filed: **Apr. 6, 2007**

Related U.S. Application Data

(62) Division of application No. 29/238,956, filed on Sep. 23, 2005, now Pat. No. Des. 543,970.

(51) **LOC (8) Cl.** **14-02**

(52) **U.S. Cl.** **D14/217; D14/432; D14/435**

(58) **Field of Classification Search** 30/162, 30/2, 136, 169; D10/57, 60; 365/131; 362/118; D21/793; D19/41-51, 35, 36, 53-58; 401/99, 401/131, 104-109; D14/433-36, 167, 496, D14/483, 356, 156-58, 217, 192; 361/684, 361/66, 752, 737, 740, 686; 439/59, 660, 439/135, 131; 345/163, 1.2, 536-37; 235/380, 235/439, 451; 360/97.01; D3/218, 220; 455/41.1-41.2

See application file for complete search history.

(56) **References Cited**

U.S. PATENT DOCUMENTS

2,892,537	A *	6/1959	Schwartz	206/0.81
3,263,804	A *	8/1966	Marenchin	70/456 R
D369,902	S *	5/1996	Petruzzi	D3/208
D393,148	S *	4/1998	Petruzzi	D3/208
D404,377	S *	1/1999	Wilson et al.	D14/365
D462,689	S *	9/2002	Moran	D14/433
D469,061	S *	1/2003	Porter	D13/119

6,522,534	B1 *	2/2003	Wu	361/686
6,639,791	B2 *	10/2003	Su	361/685
D488,464	S *	4/2004	Lin et al.	D14/242
D492,307	S *	6/2004	Aqqad et al.	D14/356
D496,364	S *	9/2004	Saito	D14/385
D500,302	S *	12/2004	Deguchi	D14/167
2003/0099090	A1 *	5/2003	Su	361/685
2003/0167376	A1 *	9/2003	Koh	711/115
2004/0233646	A1 *	11/2004	Yen	361/752
2005/0182872	A1 *	8/2005	Shih	710/62

* cited by examiner

Primary Examiner—M. H. Tung

Assistant Examiner—Susan Moon Lee

(74) *Attorney, Agent, or Firm*—Michael E. McKee

(57) **CLAIM**

The ornamental design for a securement device attachable to an electronic device, as shown and described.

DESCRIPTION

FIG. 1 is an enlarged perspective view of a securement device attachable to an electronic device showing my new design and illustrating in phantom a fragment of an electronic device which is attachable to the securement device;

FIG. 2 is a front view thereof as seen from below in FIG. 1, the back view being a mirror image;

FIG. 3 is a top view thereof;

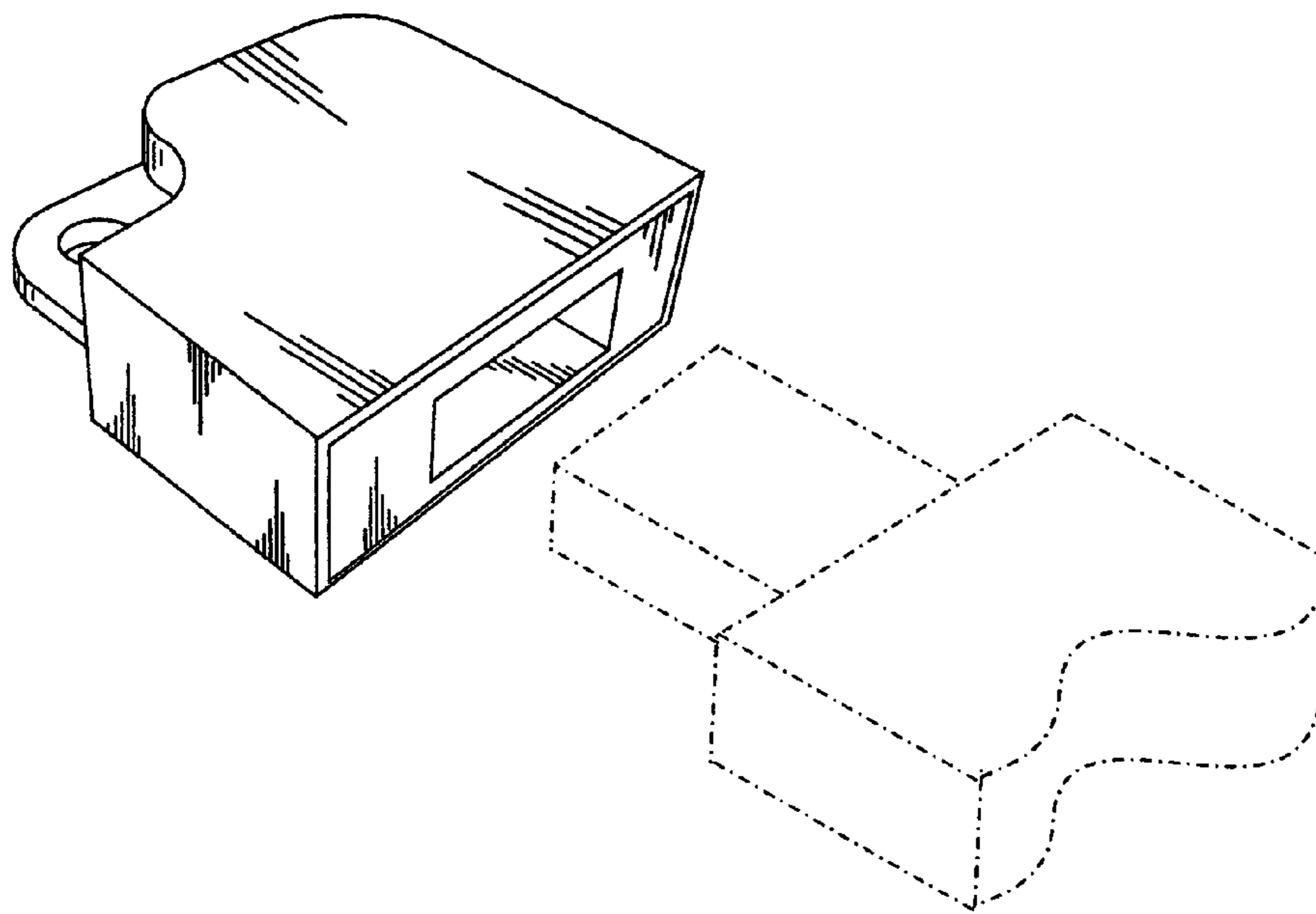
FIG. 4 is a bottom view thereof;

FIG. 5 is a side elevational view thereof as seen from the left in FIG. 2; and,

FIG. 6 is a right side elevational view thereof.

The portions shown in broken line are illustrative and form no part of the claimed design.

1 Claim, 1 Drawing Sheet



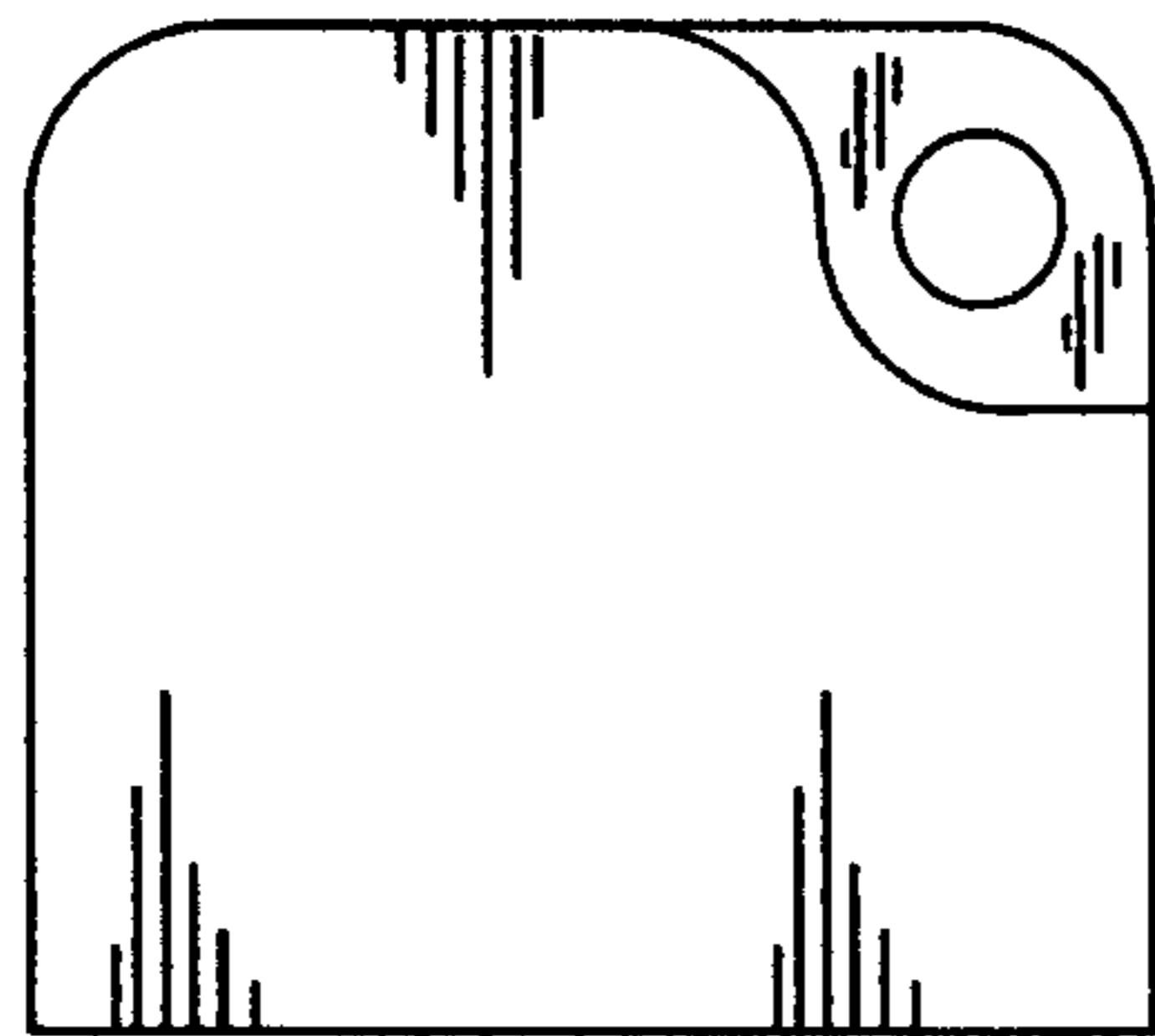
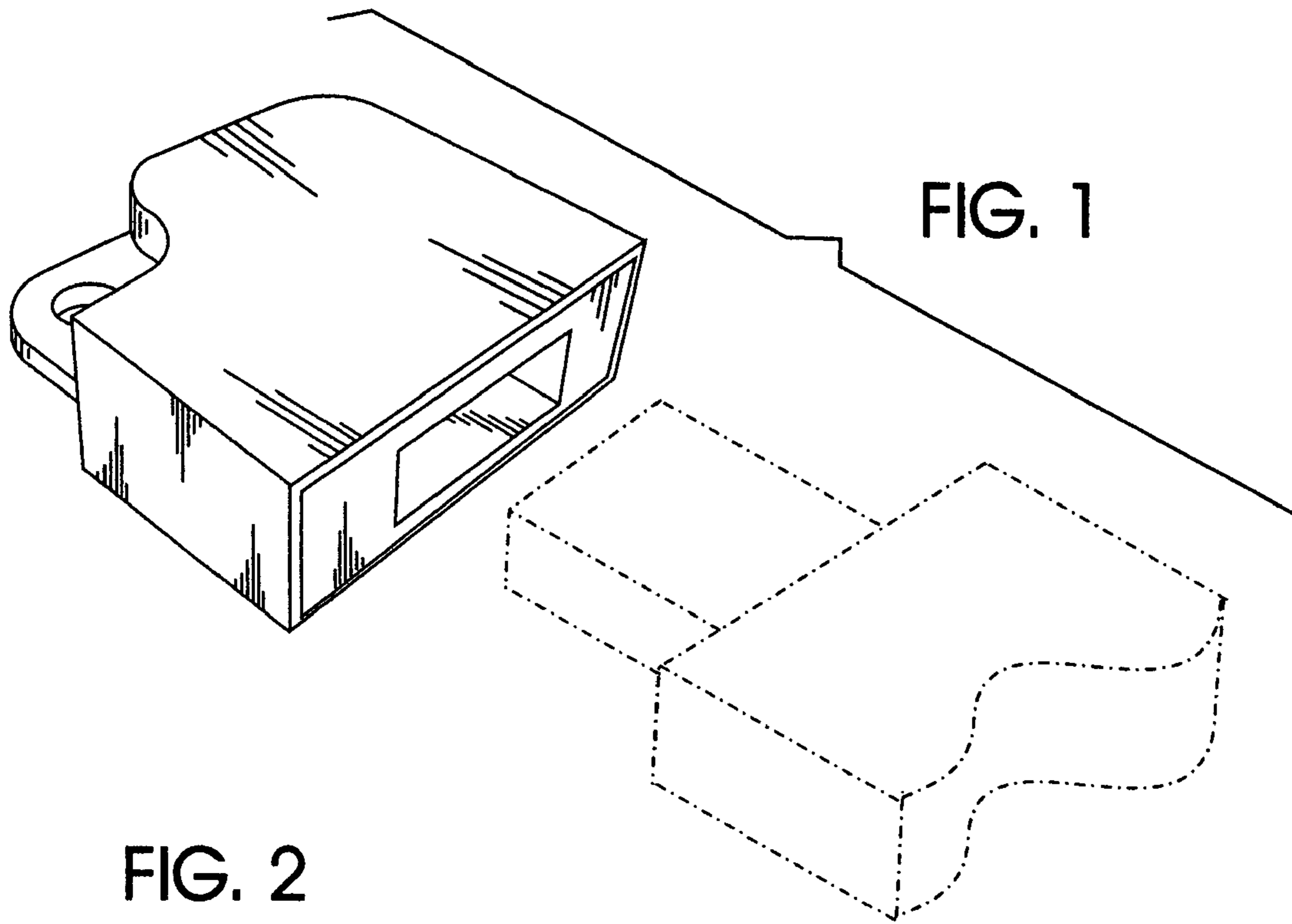


FIG. 3

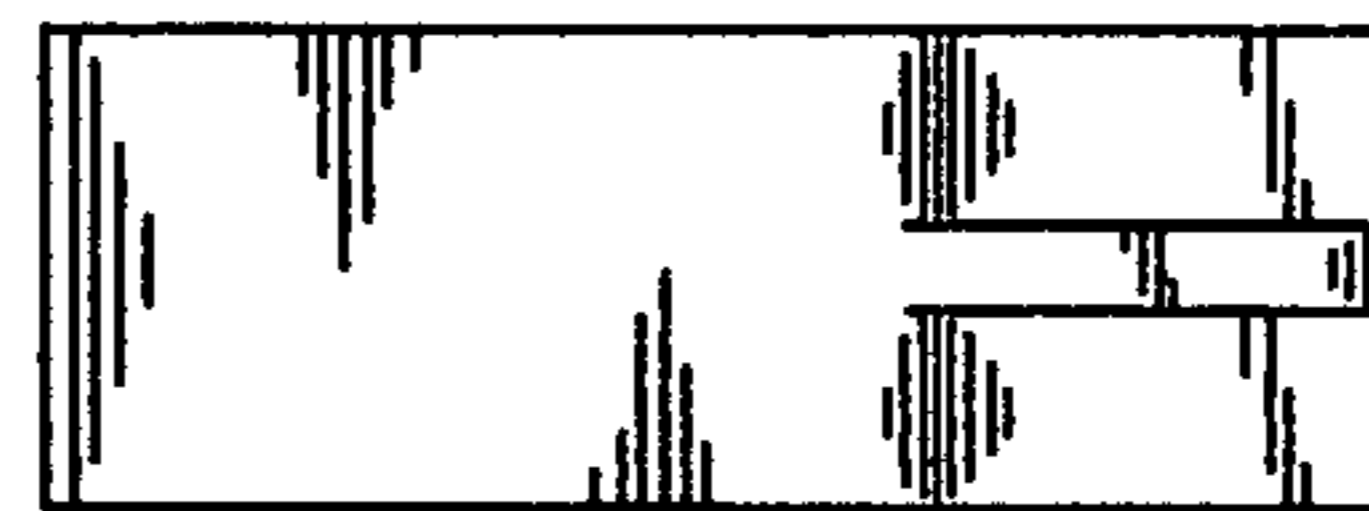


FIG. 4

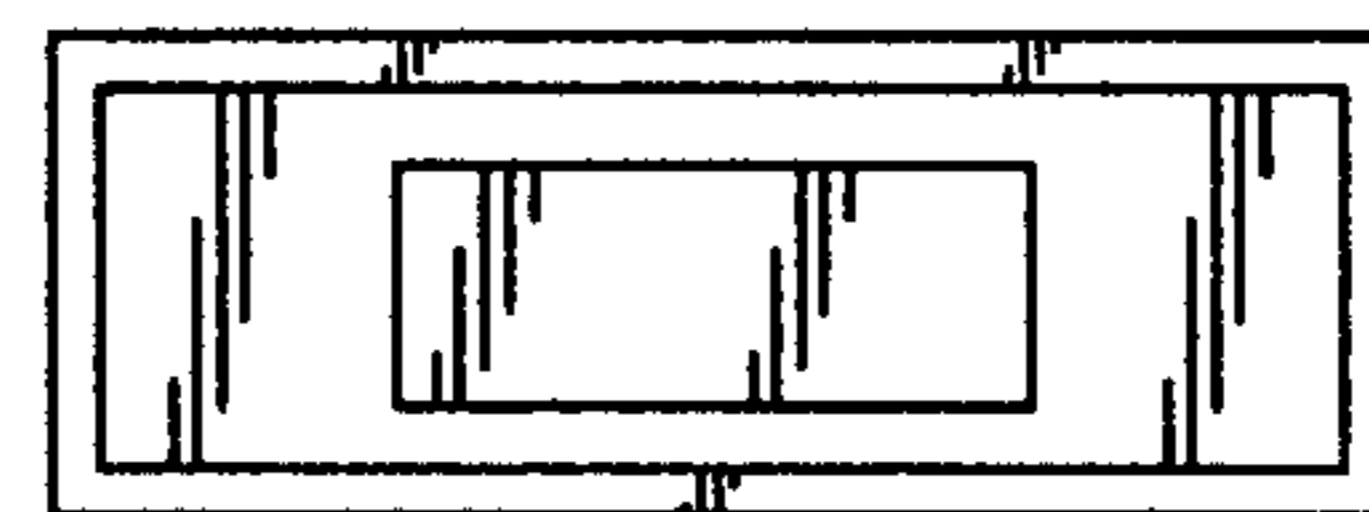


FIG. 5

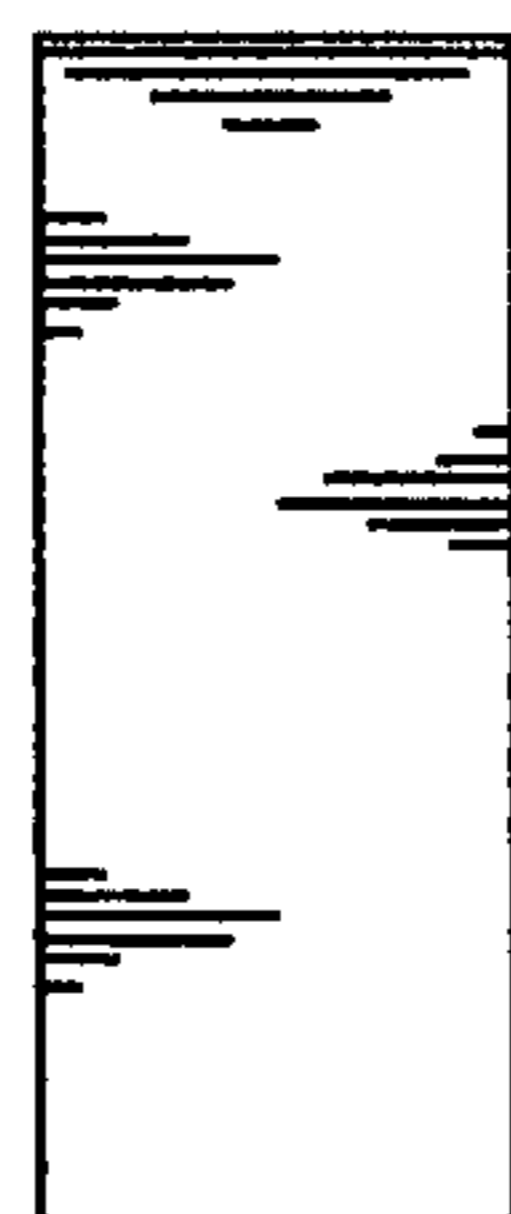


FIG. 6

