



US00D555146S

(12) **United States Design Patent**
Sandy

(10) **Patent No.:** **US D555,146 S**

(45) **Date of Patent:** **** Nov. 13, 2007**

(54) **VOICE RECORDER**

(75) Inventor: **Bonni Shevin Sandy**, Morton Grove, IL (US)

(73) Assignee: **Dard Products, Inc.**, Evanston, IL (US)

(**) Term: **14 Years**

(21) Appl. No.: **29/276,404**

(22) Filed: **Jan. 24, 2007**

(51) **LOC (8) Cl.** **14-01**

(52) **U.S. Cl.** **D14/167**

(58) **Field of Classification Search** D14/167,
D14/154, 168, 188, 496, 156, 160, 161, 162,
D14/163, 164, 165, 192; D16/208; D26/38;
455/351, 350

See application file for complete search history.

(56) **References Cited**

U.S. PATENT DOCUMENTS

D379,626 S	6/1997	Mak	
5,812,678 A	9/1998	Scalise et al.	
D426,223 S *	6/2000	Nomura	D14/167
D473,204 S *	4/2003	Tanio	D14/167
D483,281 S *	12/2003	Cobigo	D10/104
D496,638 S *	9/2004	Deubler, Jr.	D14/138
D496,639 S *	9/2004	Deubler, Jr.	D14/138
D506,989 S *	7/2005	Seil et al.	D14/155
D508,028 S *	8/2005	Deubler, Jr.	D14/138
D510,046 S *	9/2005	Li	D10/106
D510,584 S *	10/2005	Tierney	D14/496
D515,058 S *	2/2006	Boyd	D14/138
D521,526 S *	5/2006	Suckle et al.	D14/496

D522,506 S *	6/2006	Chen	D14/356
D525,962 S *	8/2006	Elson	D14/149
D526,990 S *	8/2006	Slevin et al.	D14/149
D527,666 S *	9/2006	Tal et al.	D10/106
D541,684 S *	5/2007	Sandy et al.	D10/70
D547,223 S *	7/2007	Tal et al.	D10/116
2004/0224717 A1 *	11/2004	Hertzberg et al.	455/550.1

* cited by examiner

Primary Examiner—Cathron C. Brooks

Assistant Examiner—Austin Murphy

(74) *Attorney, Agent, or Firm*—Perkins Coie LLP

(57) **CLAIM**

The ornamental design for a voice recorder, as shown and described.

DESCRIPTION

FIG. 1 is a perspective view of my new design.

FIG. 2 is a front view.

FIG. 3 is a rear view.

FIG. 4 is a left view.

FIG. 5 is a right view.

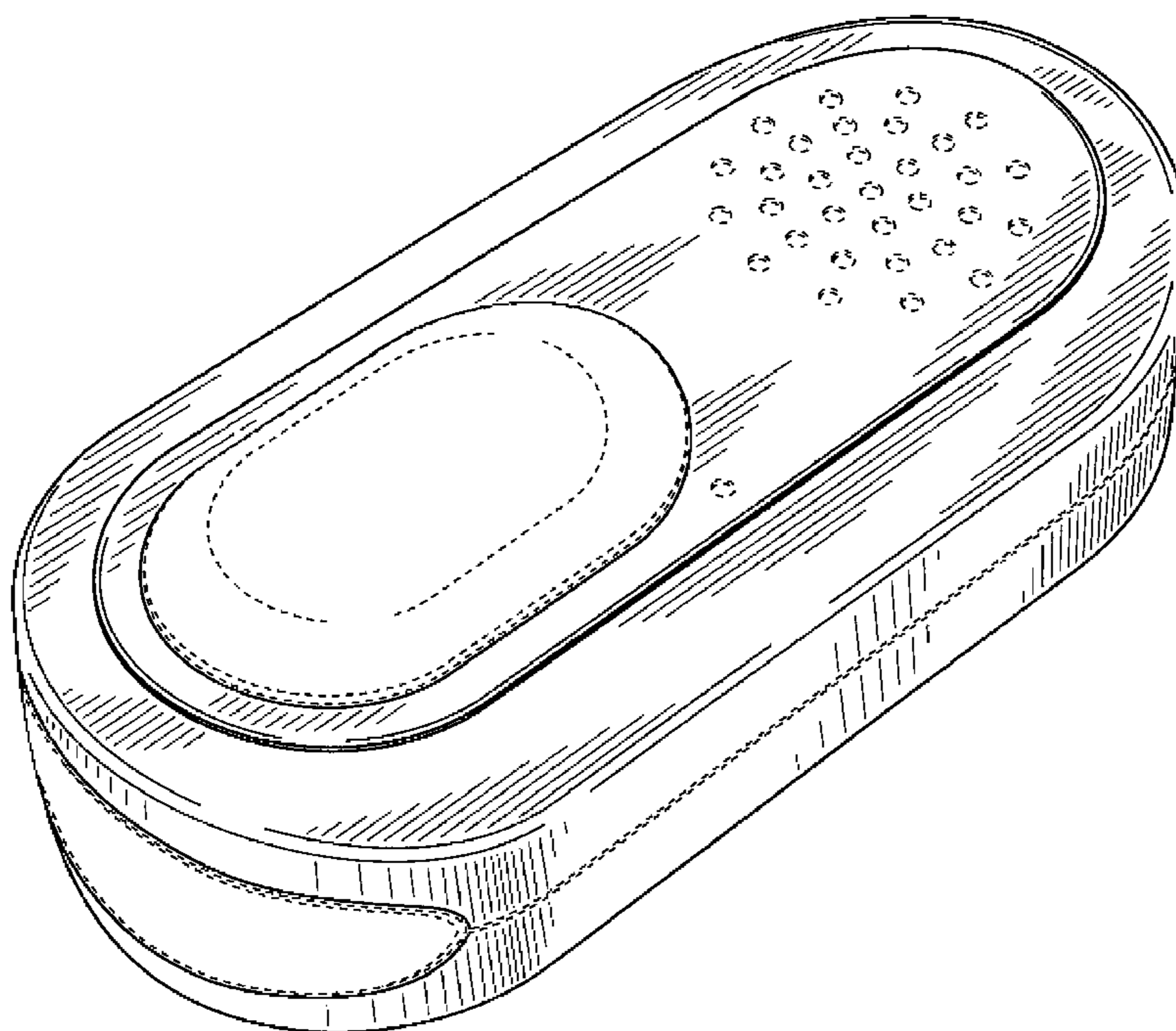
FIG. 6 is a top view; and,

FIG. 7 is a bottom view.

The broken line showing of the elements of the voice recorder is for the purpose of illustrating portions of the voice recorder and forms no part of the claimed design.

Features shown in dotted lines are not claimed.

1 Claim, 4 Drawing Sheets



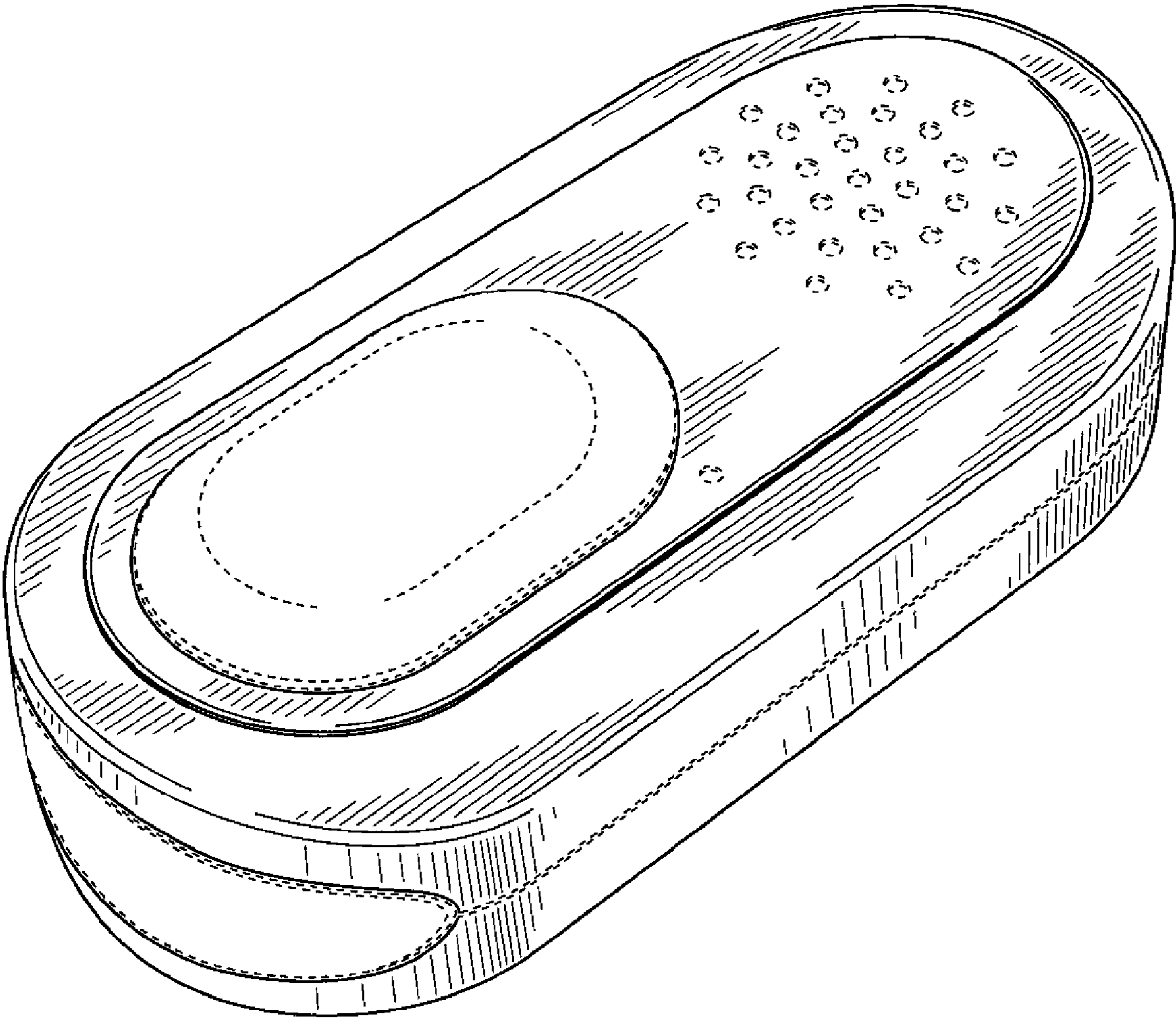


FIG. 1

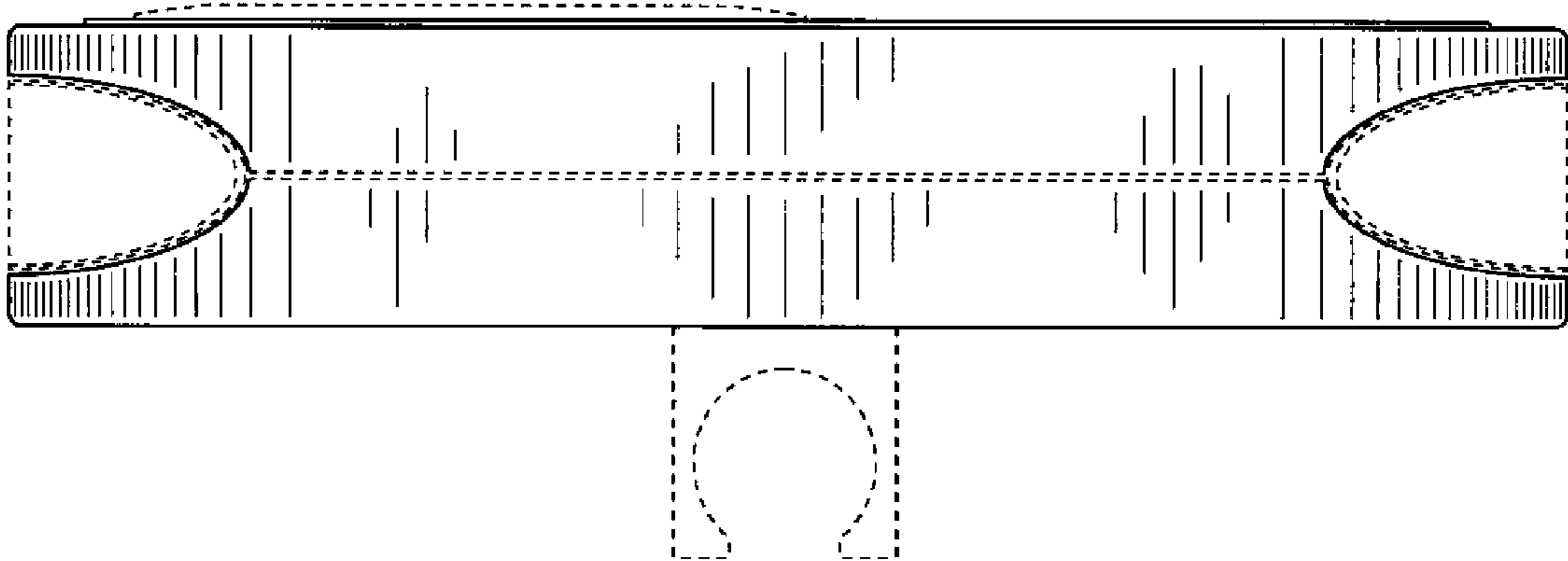


FIG. 2

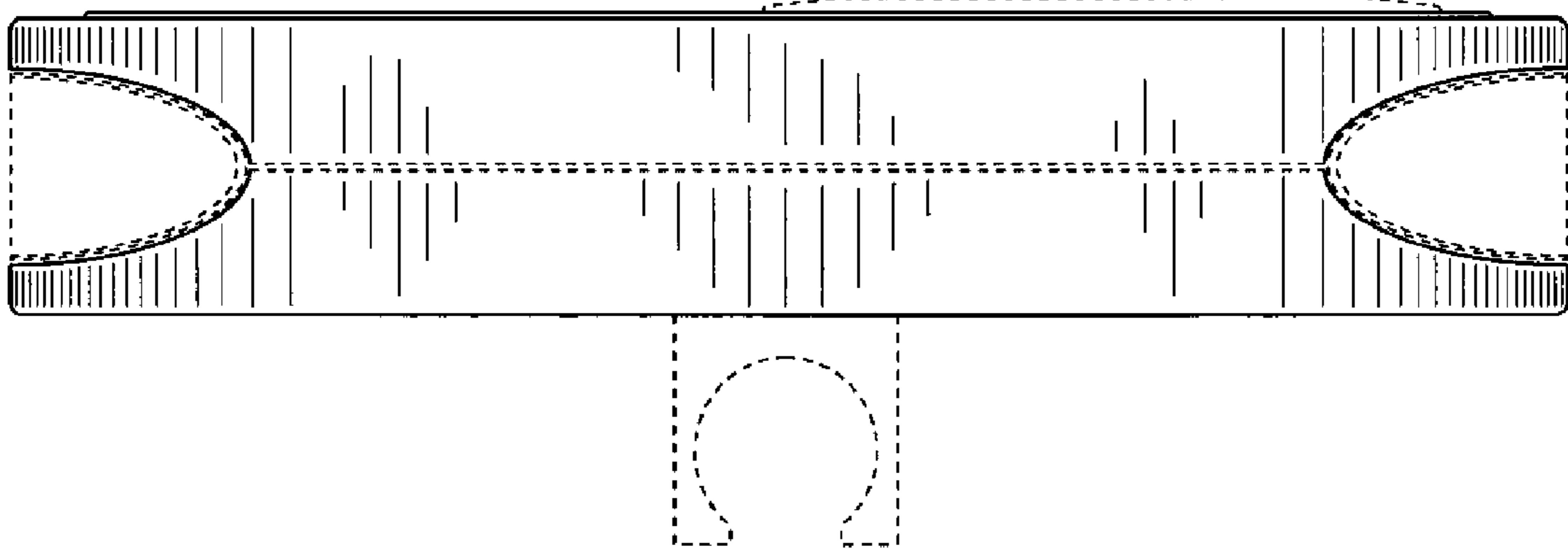


FIG. 3

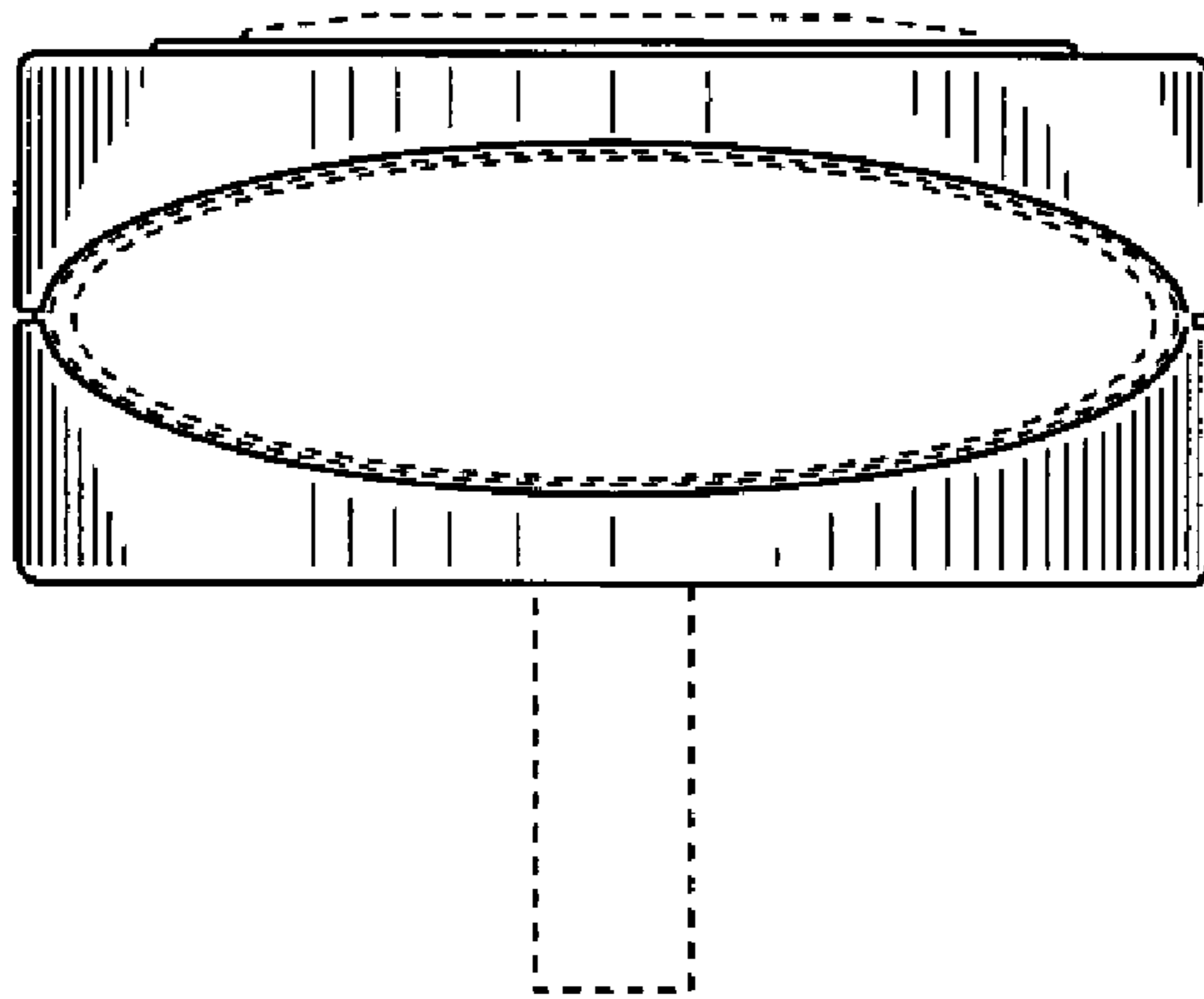


FIG. 4

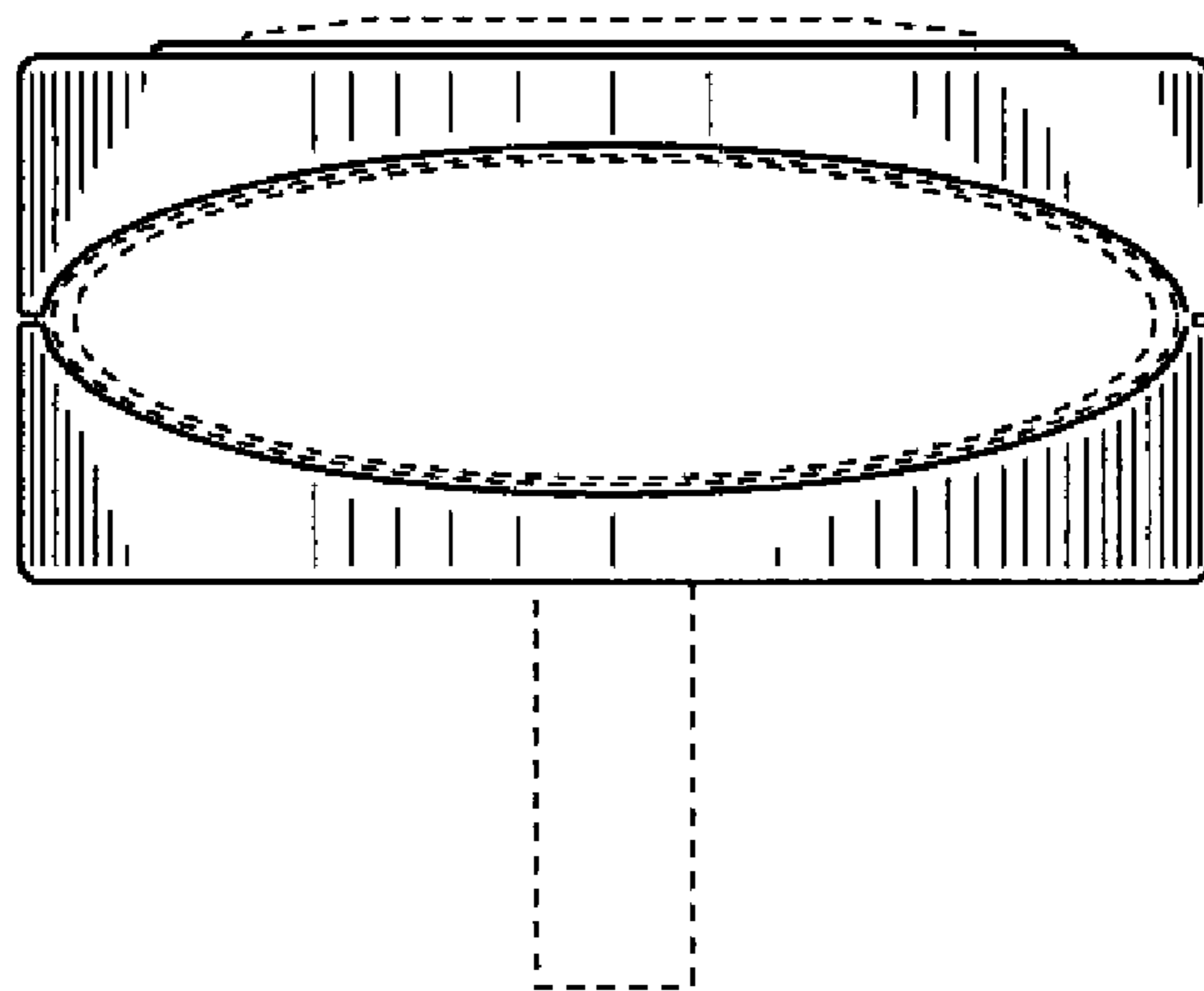


FIG. 5

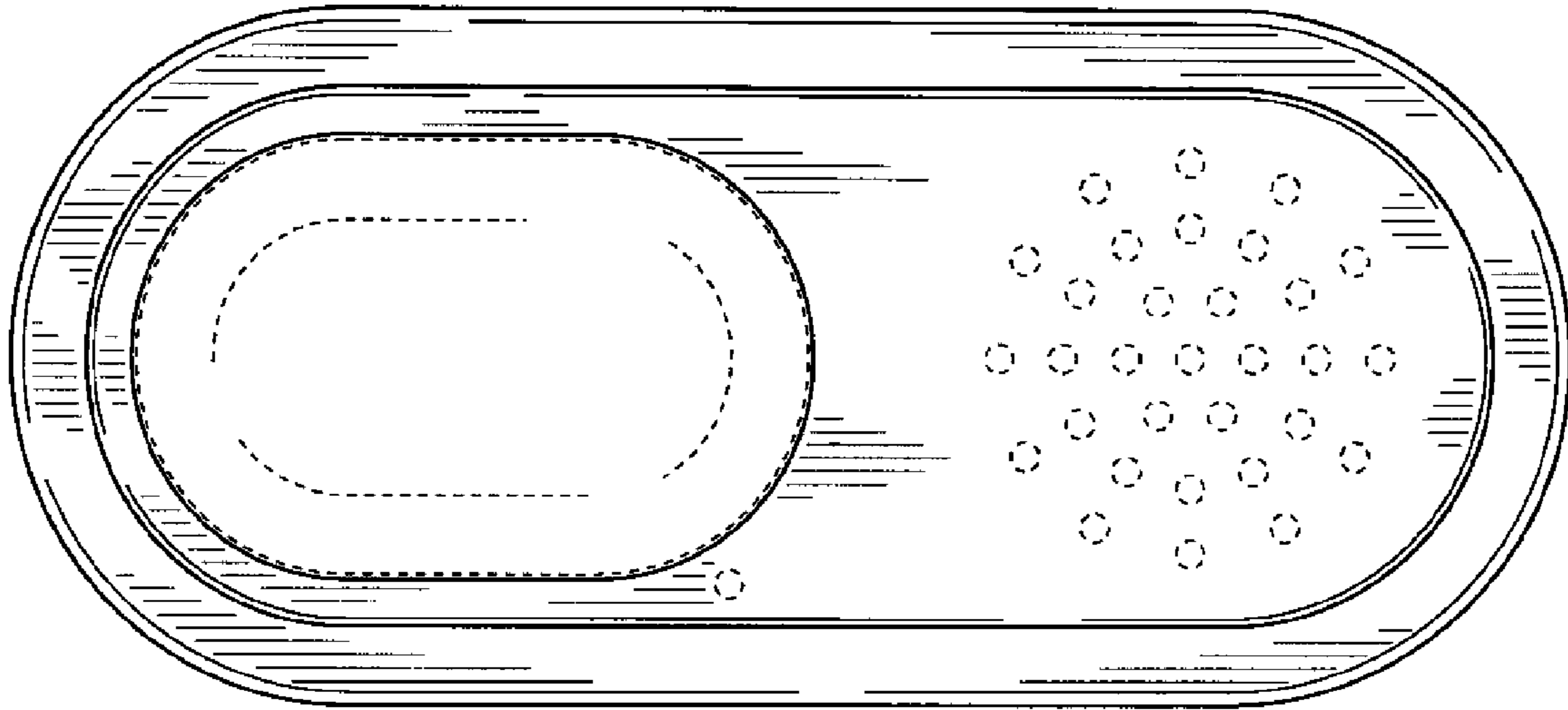


FIG. 6

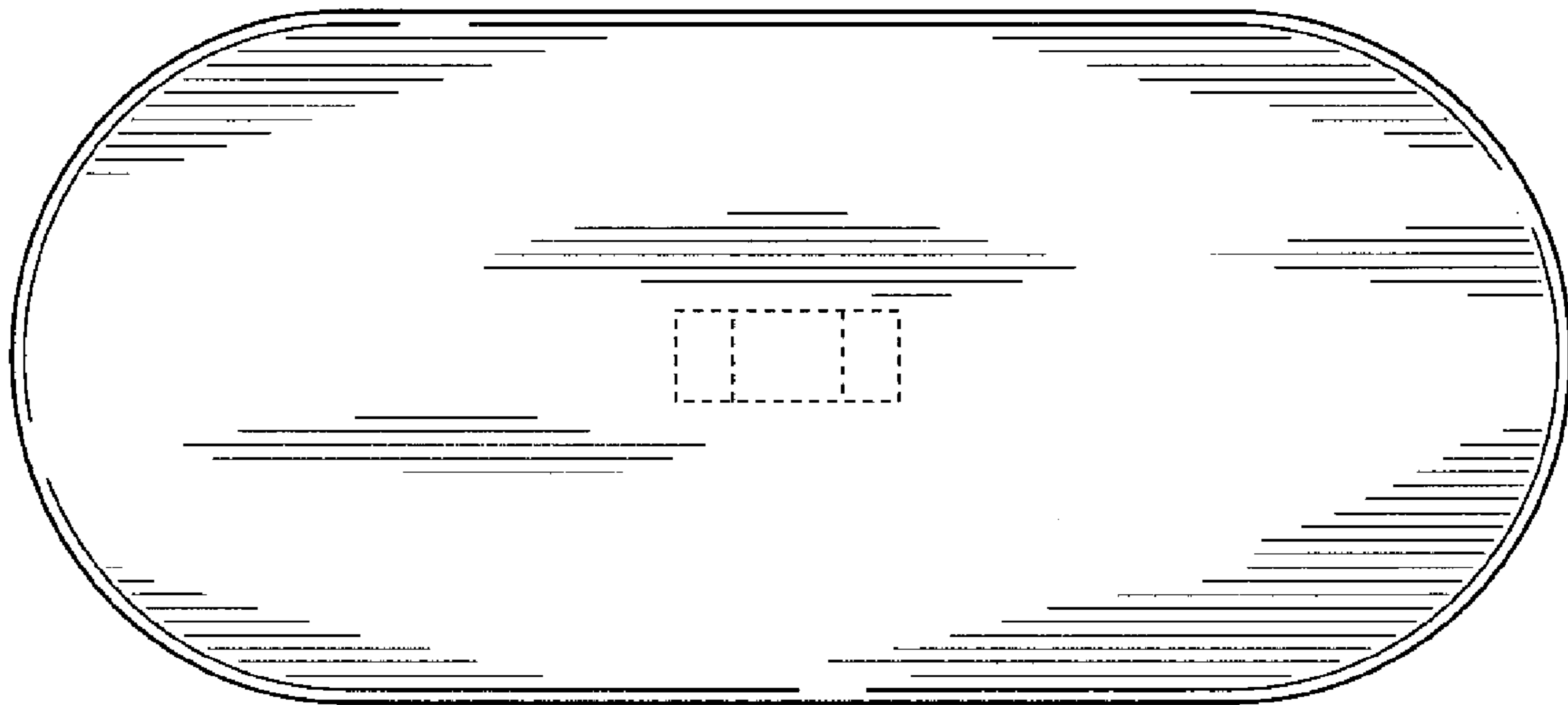


FIG. 7