



US00D555143S

(12) **United States Design Patent**
Chou

(10) **Patent No.:** **US D555,143 S**

(45) **Date of Patent:** **** Nov. 13, 2007**

(54) **IP TELEPHONE**

(75) Inventor: **Ya-Chyi Chou**, Taipei (TW)

(73) Assignee: **Inventec Multimedia & Telecom Corporation**, Taipei (TW)

(**) Term: **14 Years**

(21) Appl. No.: **29/262,535**

(22) Filed: **Jul. 6, 2006**

(51) **LOC (8) Cl.** **14-03**

(52) **U.S. Cl.** **D14/151**

(58) **Field of Classification Search** D14/125-130,
D14/140-140.1, 142, 144, 140.7-140.11,
D14/149-151, 240, 248, 146, 329, 330; 379/419,
379/420.01, 434-436, 428.01-428.04, 440-442,
379/454-455, 88.17, 90.01, 93.17; 382/103;
455/566

See application file for complete search history.

(56) **References Cited**

U.S. PATENT DOCUMENTS

D299,228 S *	1/1989	Kurosu et al.	D14/151
D303,386 S *	9/1989	Iino	D14/142
D406,842 S *	3/1999	Zeitman	D14/151
D426,535 S *	6/2000	Zeitman	D14/151
D437,840 S *	2/2001	Korby et al.	D14/151
D439,231 S *	3/2001	Song	D14/144
D472,227 S *	3/2003	Takayama et al.	D14/151
D481,701 S *	11/2003	Kamezawa et al.	D14/151
D513,412 S *	1/2006	Kodera et al.	D14/151
D530,303 S *	10/2006	Tang	D14/151

D536,328 S *	2/2007	Chou et al.	D14/151
2004/0234071 A1 *	11/2004	Bae et al.	379/419
2005/0069126 A1 *	3/2005	Xue	379/454

OTHER PUBLICATIONS

“NEC 780025/780026 Corded Telephone”, 1 p including photo, [online], <URL:http://www.101phones.com/flypage/5899/none/NEC_780025_780026>, site visited Apr. 27, 2007.*

* cited by examiner

Primary Examiner—Ian Simmons

Assistant Examiner—Carla Jobe Wright

(74) *Attorney, Agent, or Firm*—Rabin & Berdo, P.C.

(57) **CLAIM**

The ornamental design for an IP telephone, as shown and described.

DESCRIPTION

FIG. 1 is a perspective view of an IP telephone showing my new design;

FIG. 2 is a front view thereof;

FIG. 3 is a rear view thereof;

FIG. 4 is a left side elevational view thereof;

FIG. 5 is a right side elevational view thereof;

FIG. 6 is a top view thereof; and,

FIG. 7 is a bottom view thereof.

The broken line showing of environmental structures is for illustrative purposes only and forms no part of the claimed design.

1 Claim, 7 Drawing Sheets

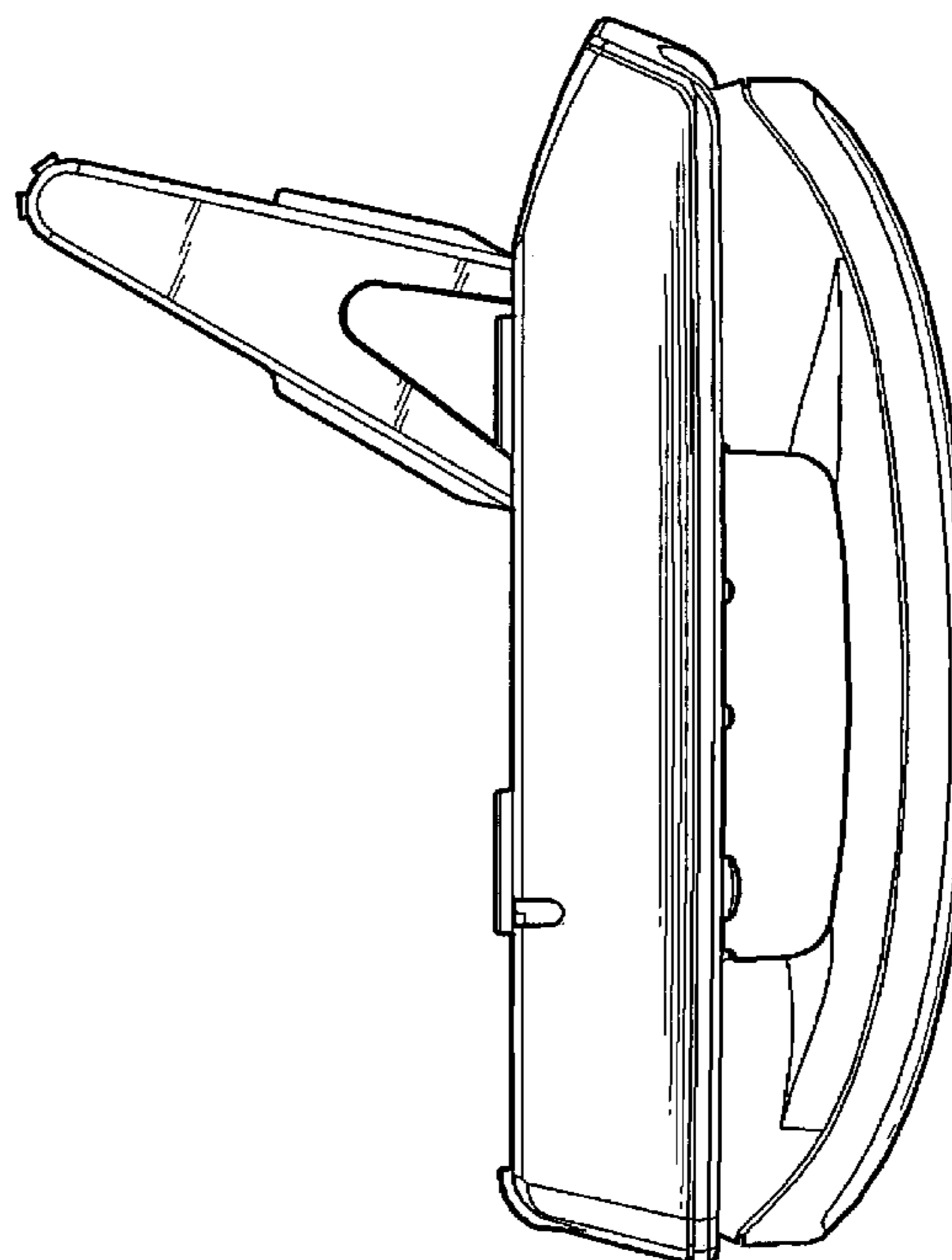
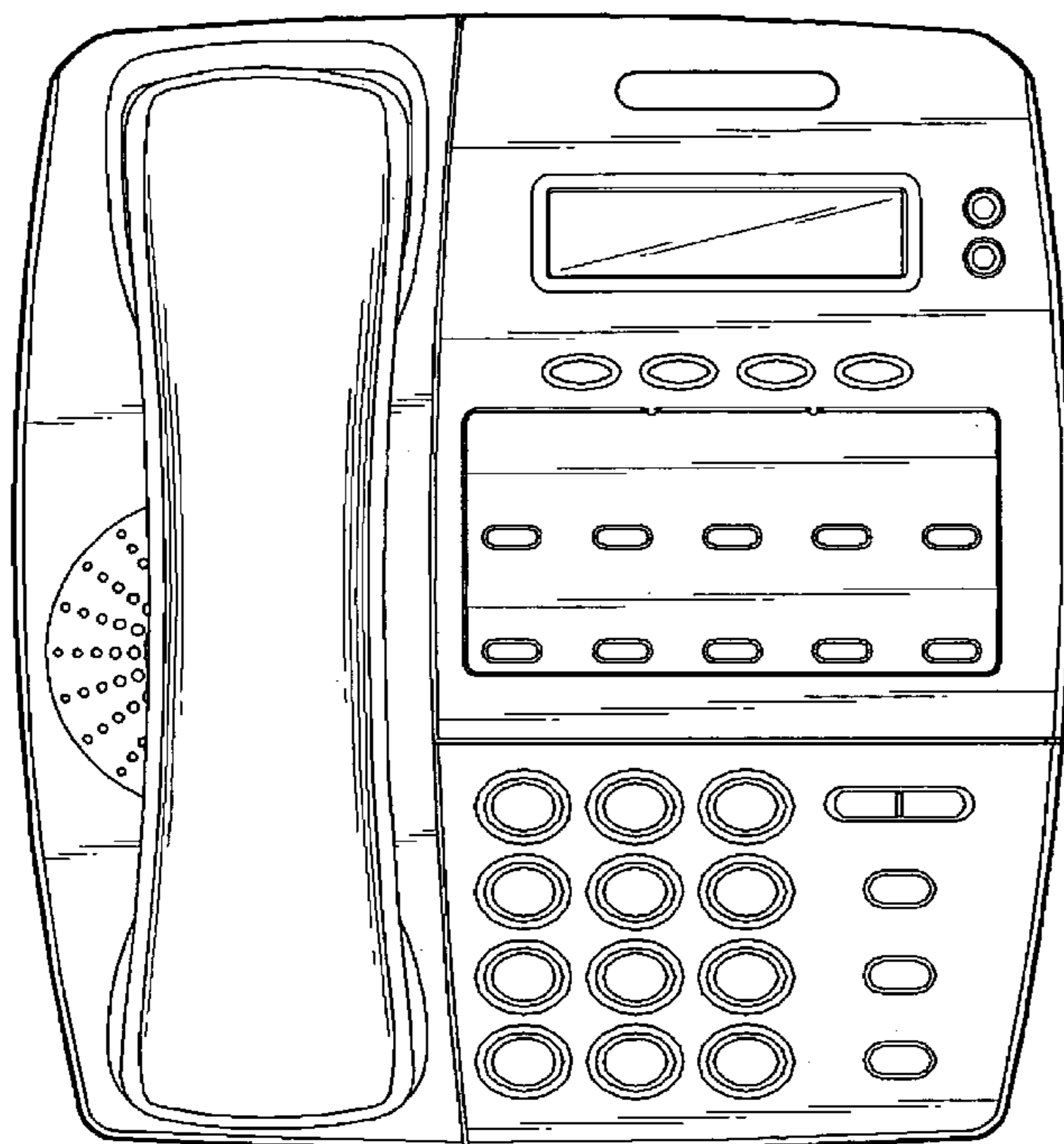




FIG.1

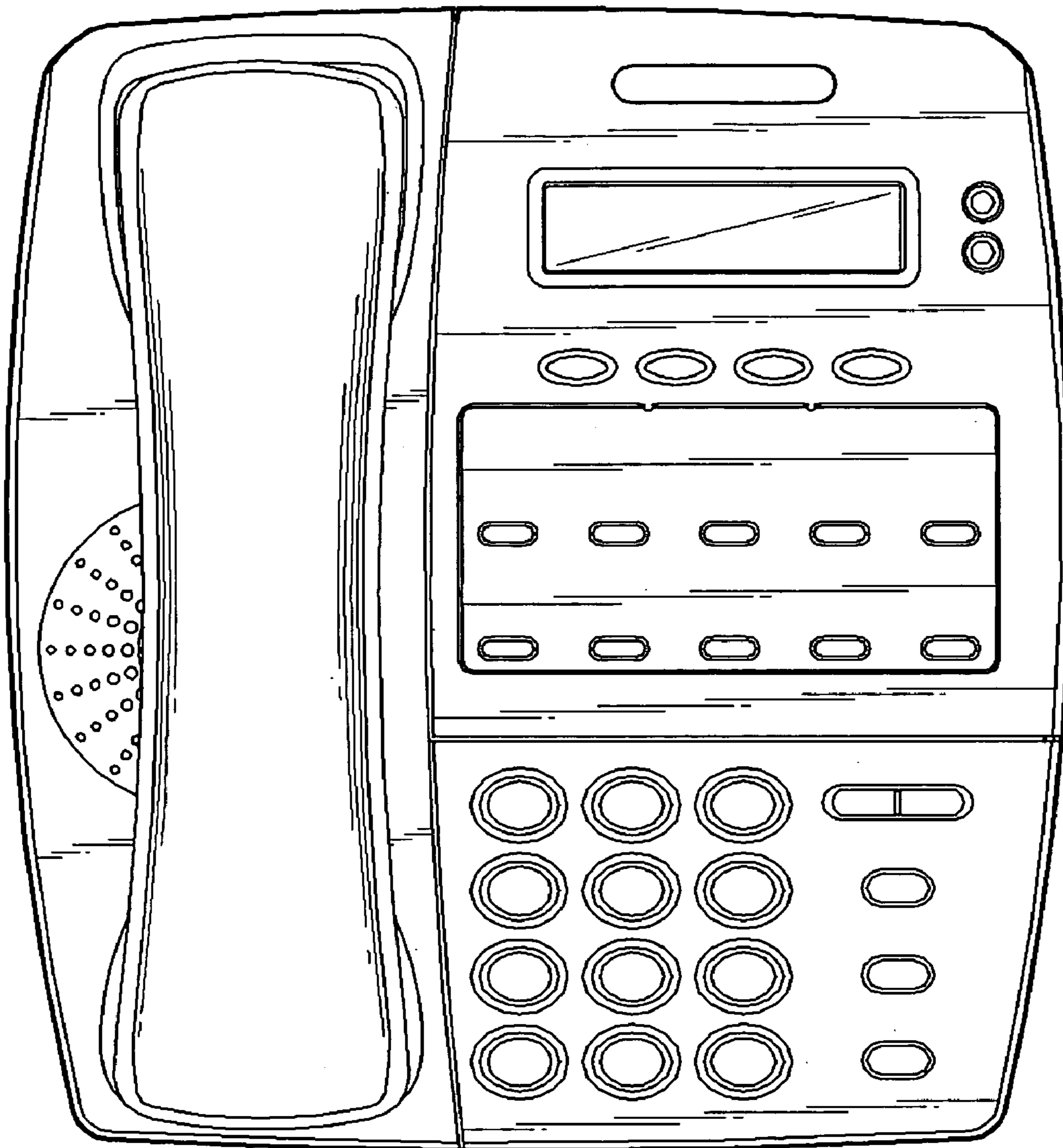


FIG.2

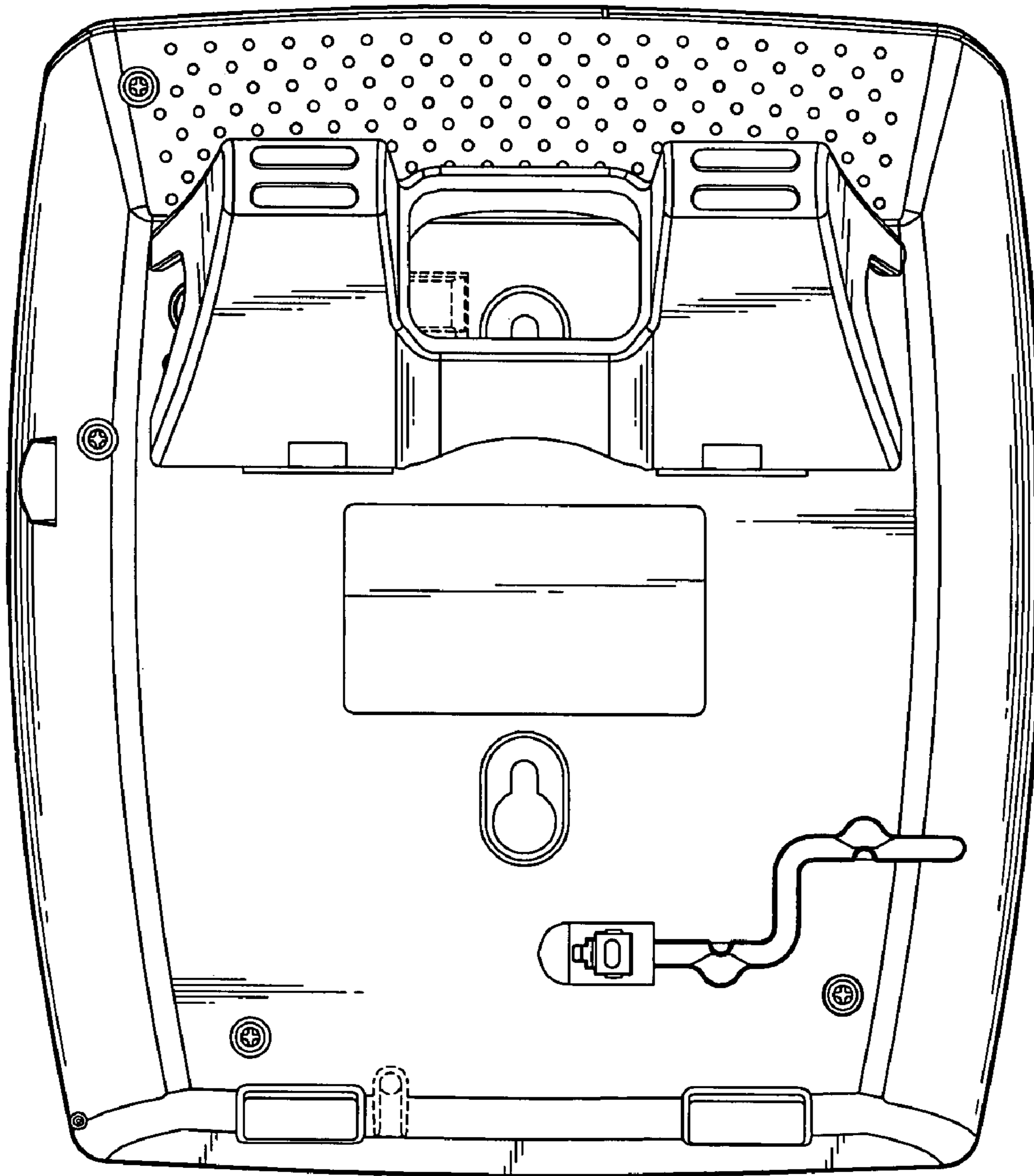


FIG.3

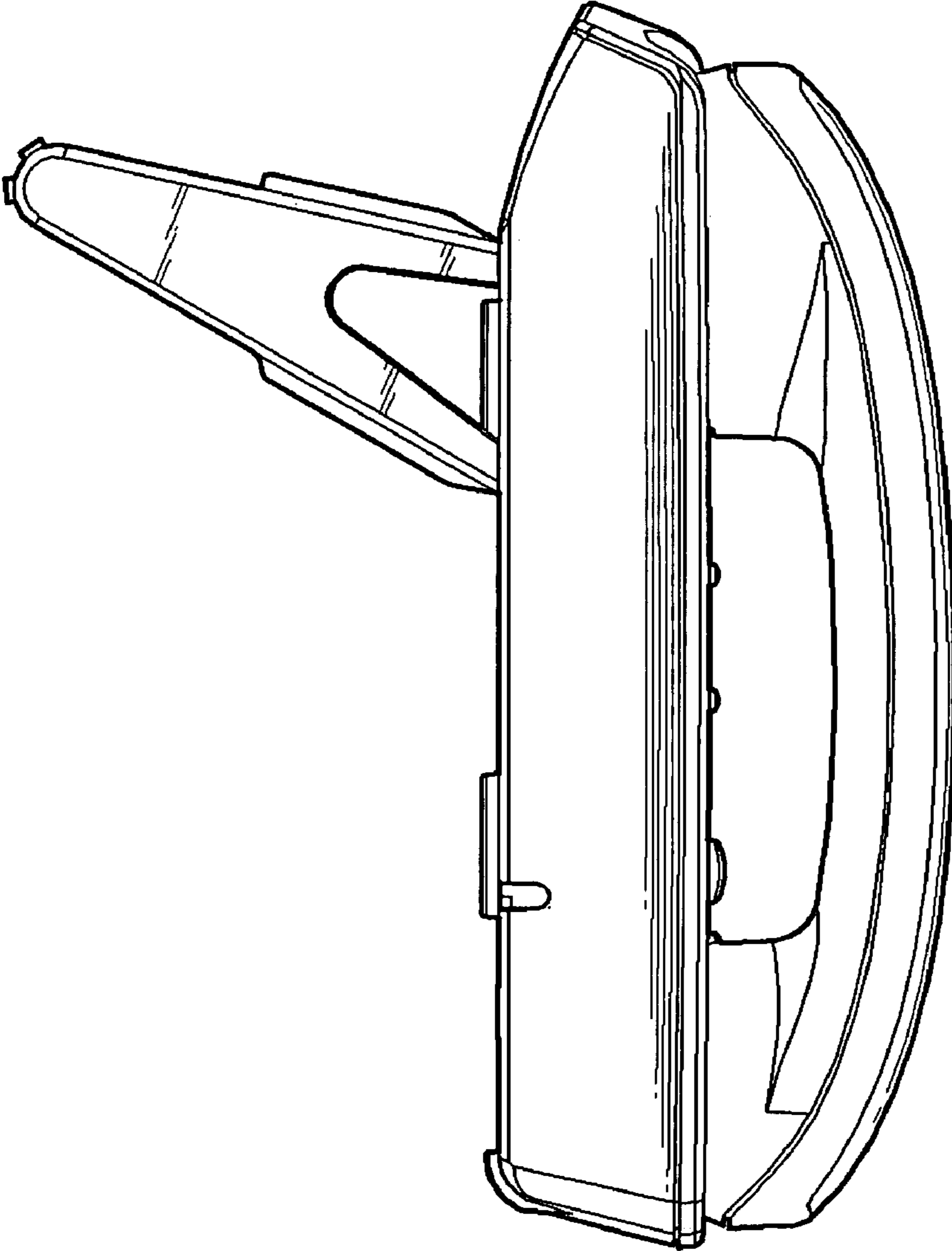


FIG.4

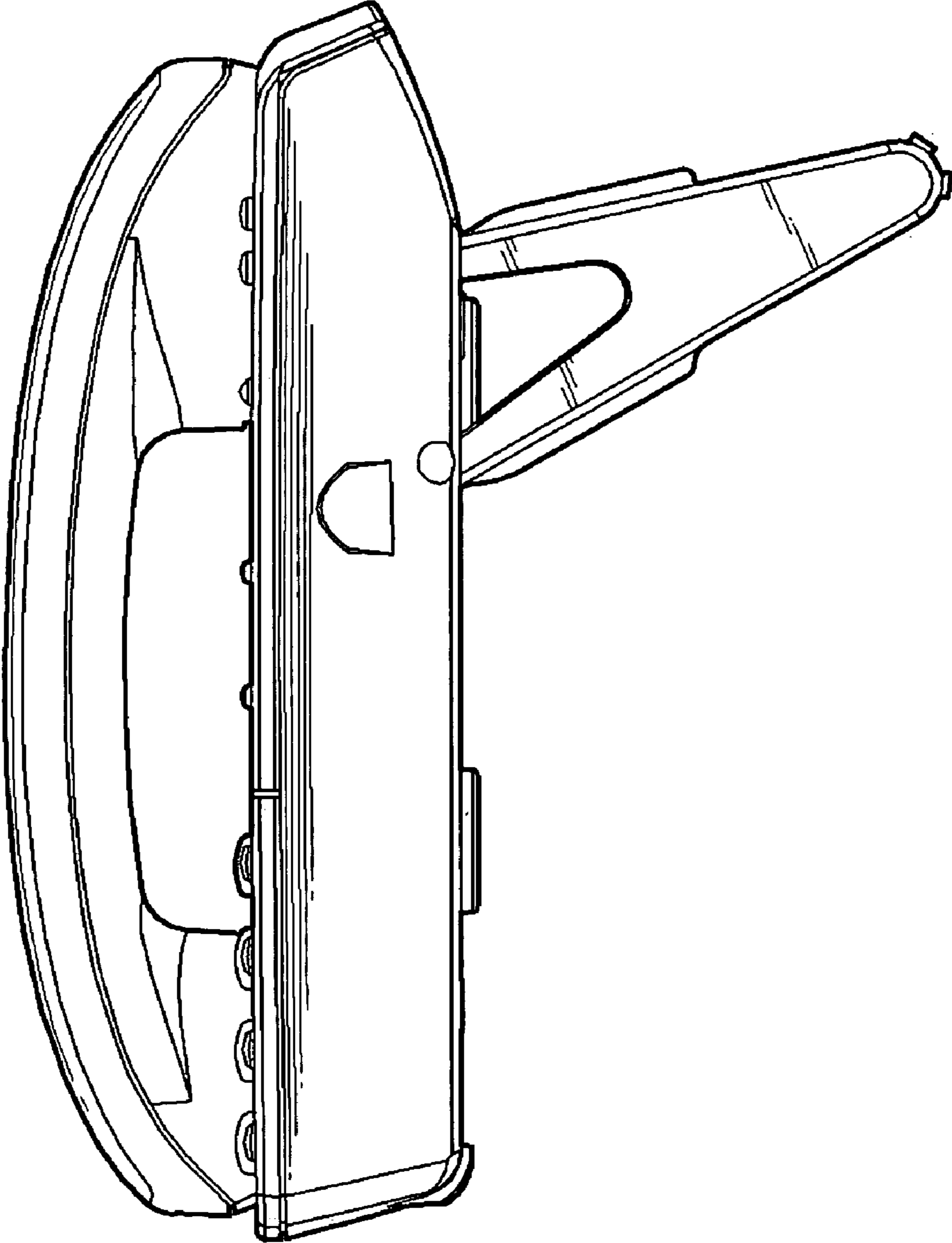


FIG.5

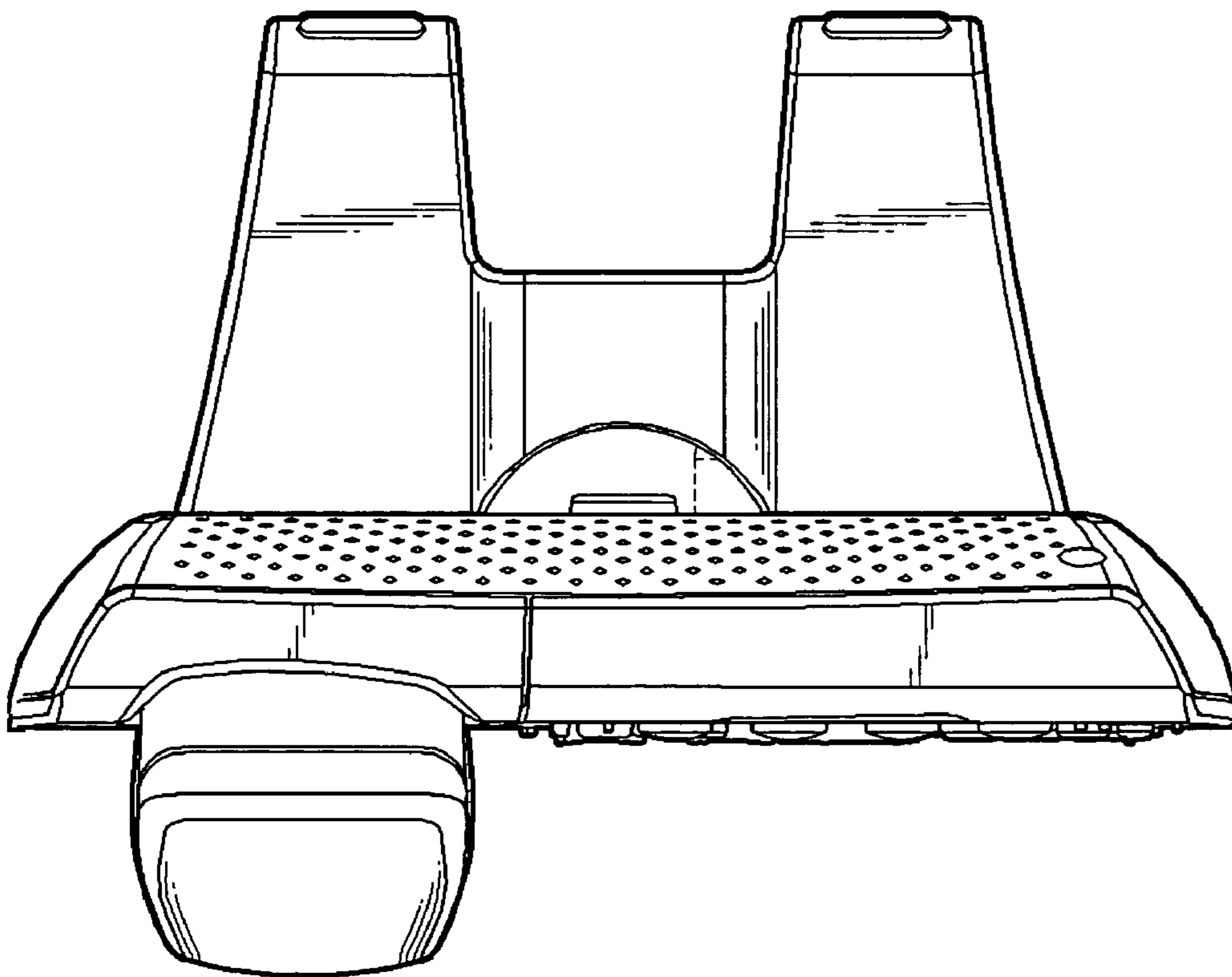


FIG.6

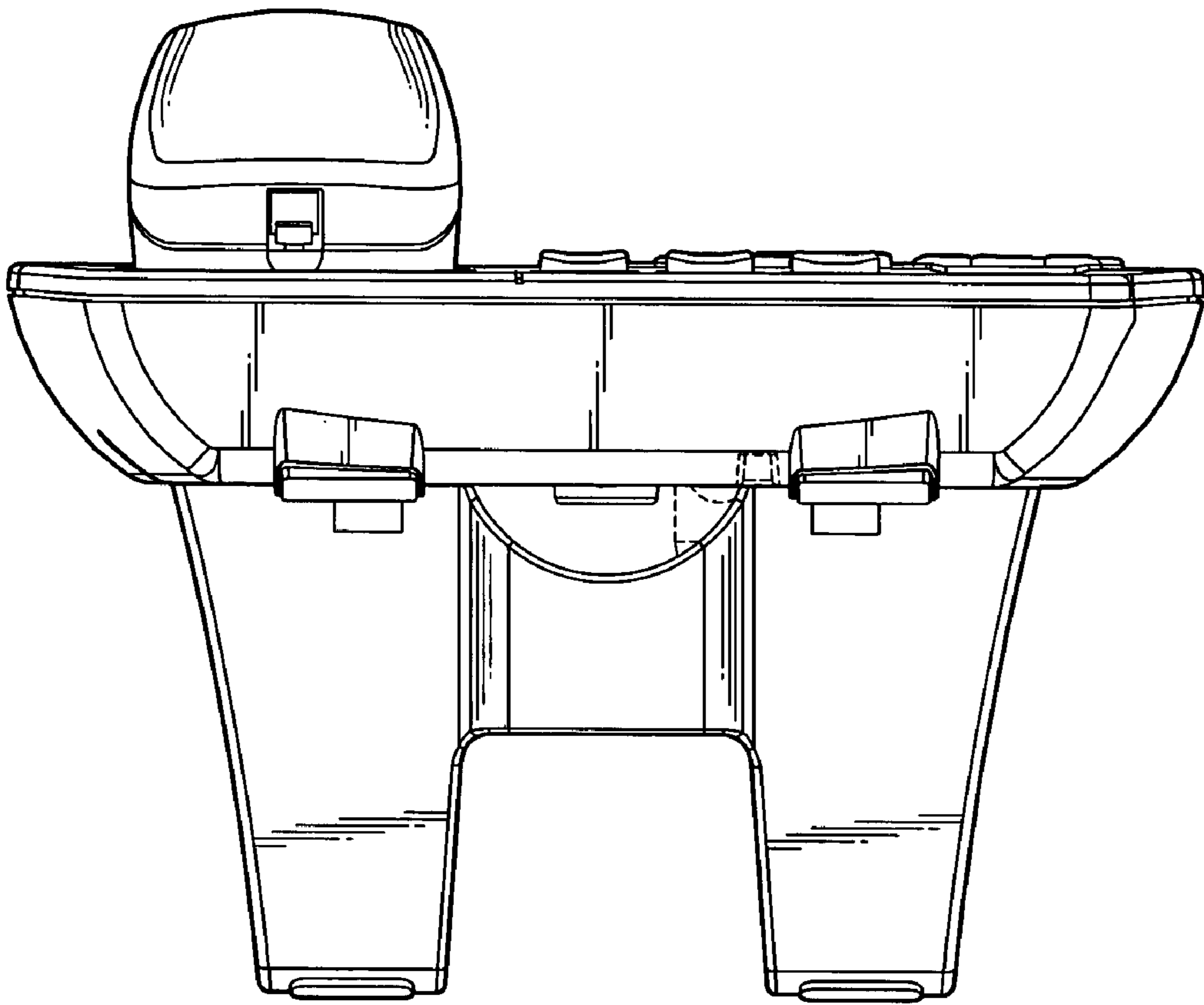


FIG.7