



US00D555141S

(12) **United States Design Patent**  
**Ho**

(10) **Patent No.:** **US D555,141 S**

(45) **Date of Patent:** **\*\* Nov. 13, 2007**

(54) **PORTABLE ELECTRONIC DEVICE**

(75) Inventor: **Pal-Lin Ho**, Taoyuan (TW)

(73) Assignee: **High Tech Computer Corp.**, Taoyuan (TW)

(\*\*) Term: **14 Years**

(21) Appl. No.: **29/266,142**

(22) Filed: **Sep. 15, 2006**

(30) **Foreign Application Priority Data**

May 25, 2006 (TW) ..... 95302848

(51) **LOC (8) Cl.** ..... **14-03**

(52) **U.S. Cl.** ..... **D14/138**

(58) **Field of Classification Search** ..... D14/137-138,  
D14/147-148, 156, 218, 247-248, 341-347,  
D14/496; D16/208; D21/329, 331, 333,  
D21/517; 348/14.01-14.02; 361/814; 379/  
433.01-433.13; 455/556.1-556.2, 575.1,  
455/575.3, 575.4, 566, 90.3

See application file for complete search history.

(56) **References Cited**

**U.S. PATENT DOCUMENTS**

D514,079 S *	1/2006	Lai	.....	D14/138
D522,988 S *	6/2006	Sheu	.....	D14/138
D525,229 S *	7/2006	Friesen et al.	.....	D14/138
D526,636 S *	8/2006	Kim et al.	.....	D14/138
D532,767 S *	11/2006	Yoshino et al.	.....	D14/138
D536,681 S *	2/2007	Surtouc	.....	D14/130
D537,432 S *	2/2007	Kim et al.	.....	D14/138
D538,770 S *	3/2007	Lyles	.....	D14/138
D539,778 S *	4/2007	Yeh et al.	.....	D14/138
D540,773 S *	4/2007	Meng et al.	.....	D14/138
D541,246 S *	4/2007	Kim et al.	.....	D14/138

D543,186 S \* 5/2007 Kim et al. .... D14/138  
2004/0180703 A1\* 9/2004 Kim et al. .... 455/575.1

**FOREIGN PATENT DOCUMENTS**

WO DM/065946 \* 9/2004

**OTHER PUBLICATIONS**

“Asus V75”, 2 pp including photos, [online], <URL: [http://www.gsmarena.com/asus\\_v75-1729.php](http://www.gsmarena.com/asus_v75-1729.php)>, announced May 2006, retrieved Jun. 2, 2007.\*

“Sony Ericsson J100”, 2 pp including photos, [online], <URL: [http://www.gsmarena.com/sony\\_ericsson\\_j100-1430.php](http://www.gsmarena.com/sony_ericsson_j100-1430.php)>, announced Feb. 2006, retrieved Jun. 2, 2007.\*

\* cited by examiner

*Primary Examiner*—Ian Simmons

*Assistant Examiner*—Carla Jobe Wright

(74) *Attorney, Agent, or Firm*—Rabin & Berdo, PC

(57) **CLAIM**

The ornamental design for a portable electronic device, as shown and described.

**DESCRIPTION**

FIG. 1 is a perspective view of the front, bottom and right side of a portable electronic device showing my new design;

FIG. 2 is a front elevational view thereof;

FIG. 3 is a left side elevational view thereof;

FIG. 4 is a right side elevational view thereof;

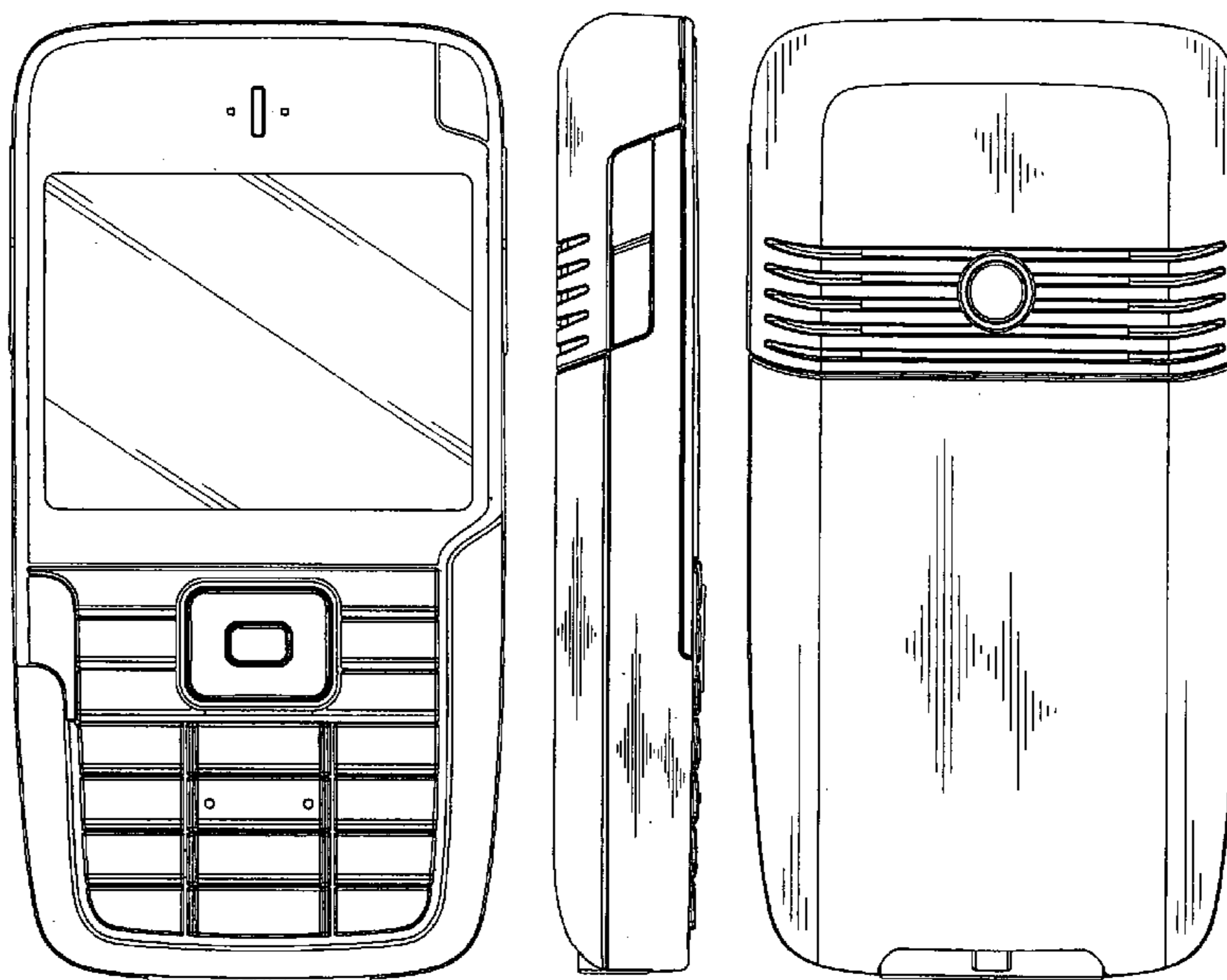
FIG. 5 is a top plan view thereof;

FIG. 6 is a bottom plan view thereof;

FIG. 7 is a rear elevational view thereof; and,

FIG. 8 is a perspective view of the rear, bottom and left side thereof.

**1 Claim, 8 Drawing Sheets**



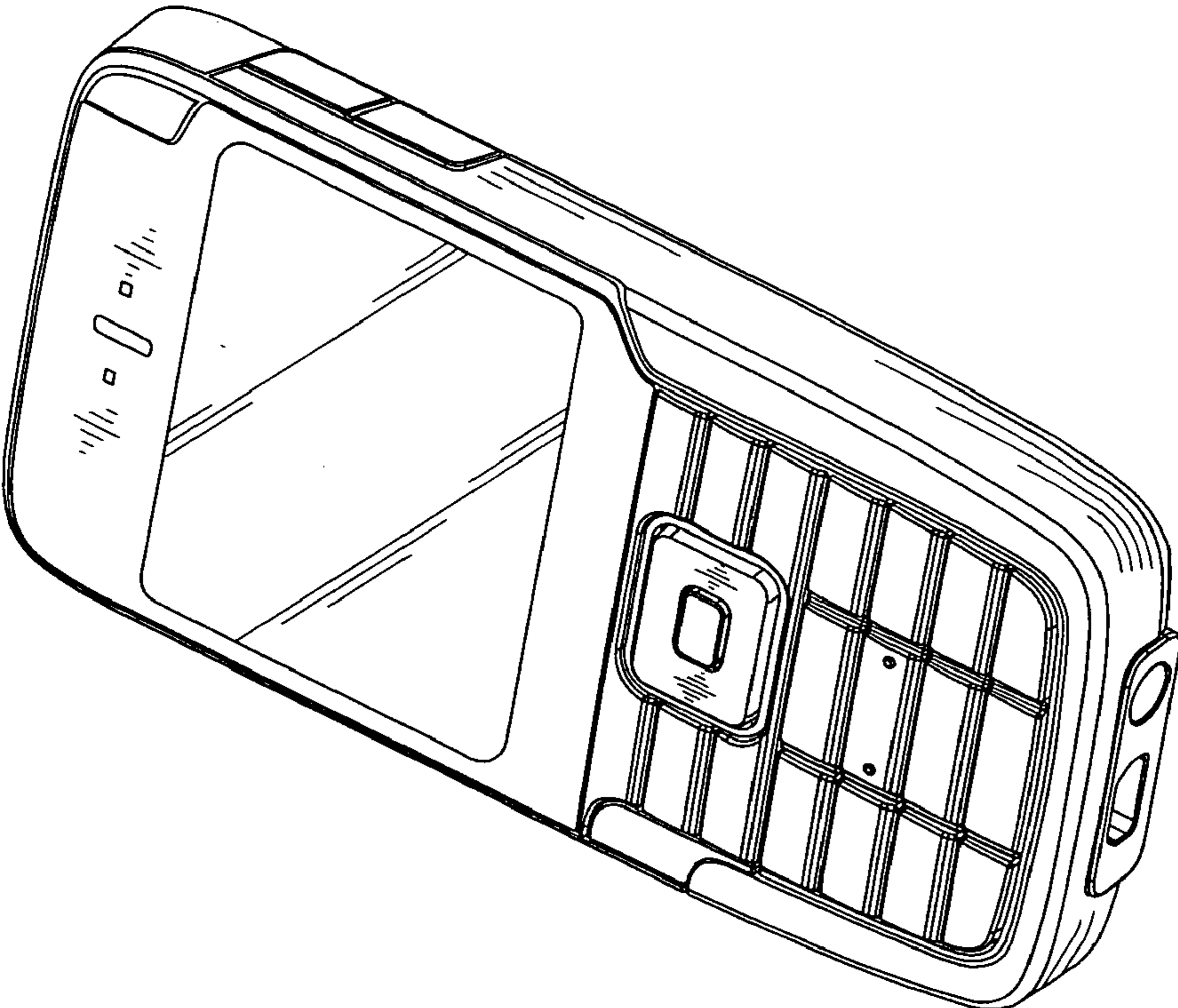


FIG. 1

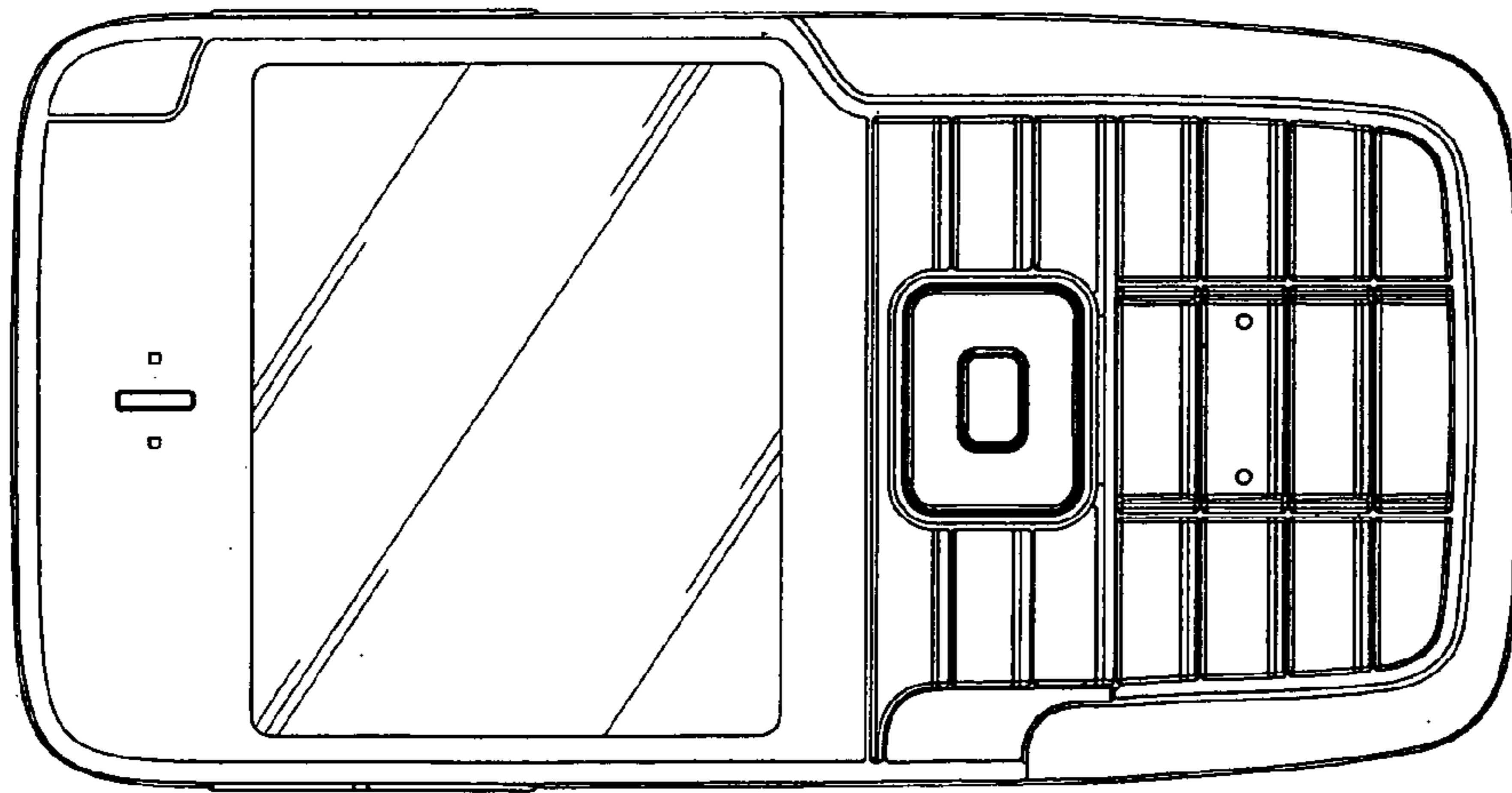


FIG. 2

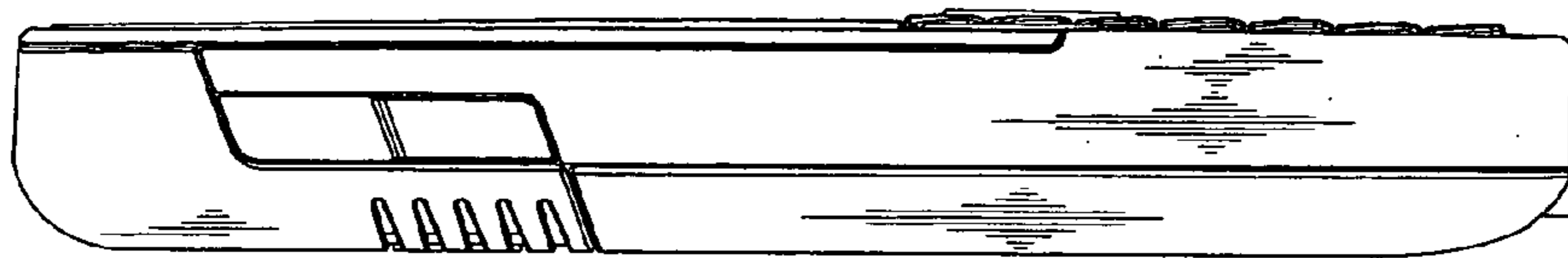


FIG. 3

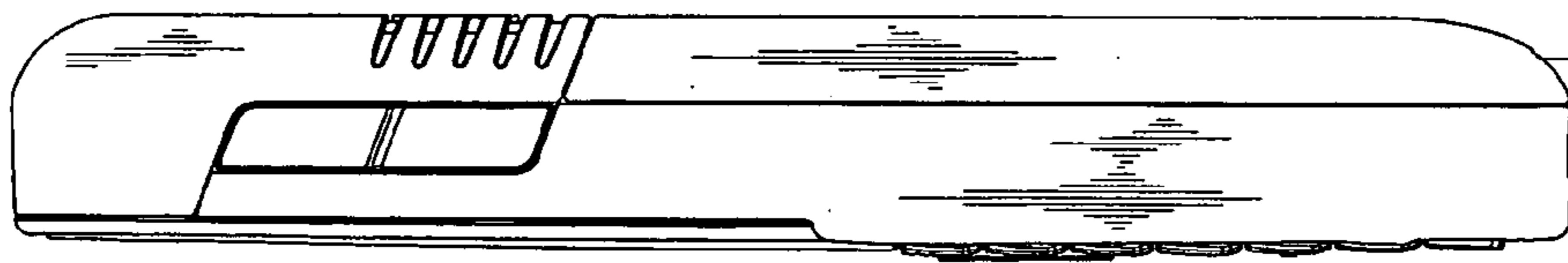


FIG. 4

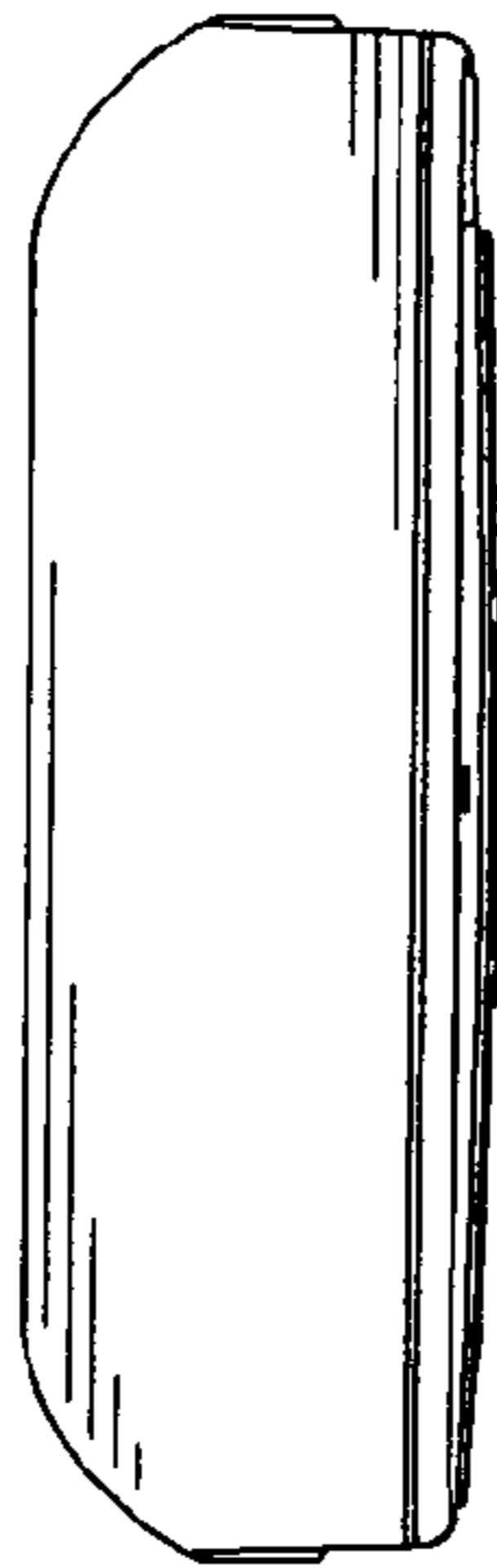


FIG. 5

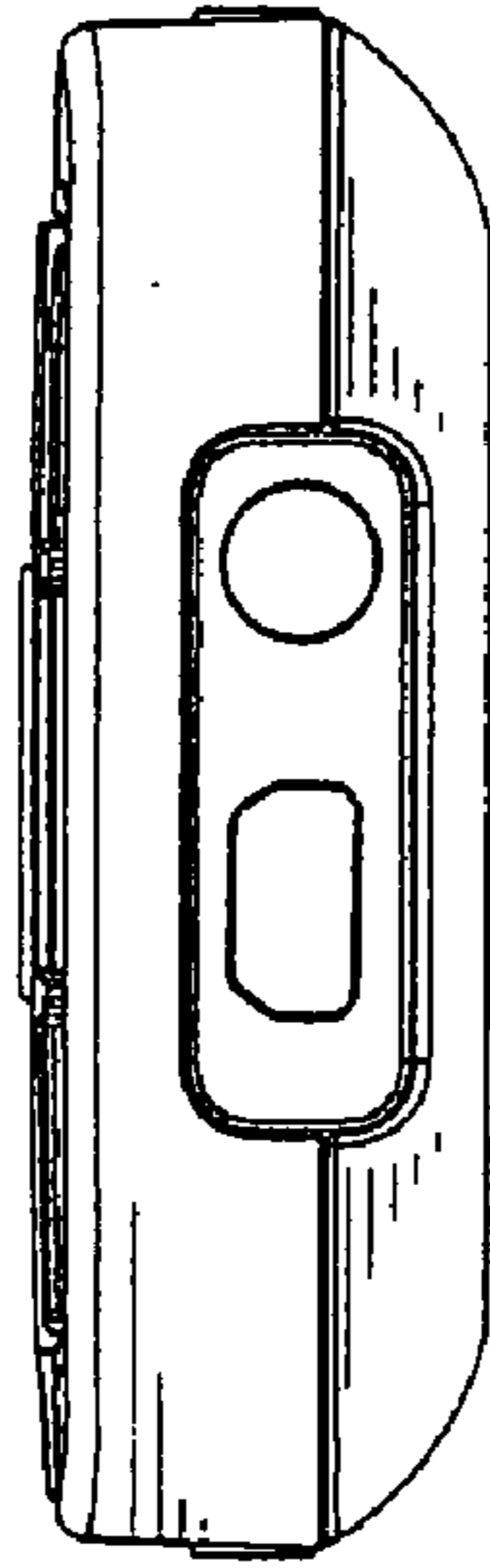


FIG. 6

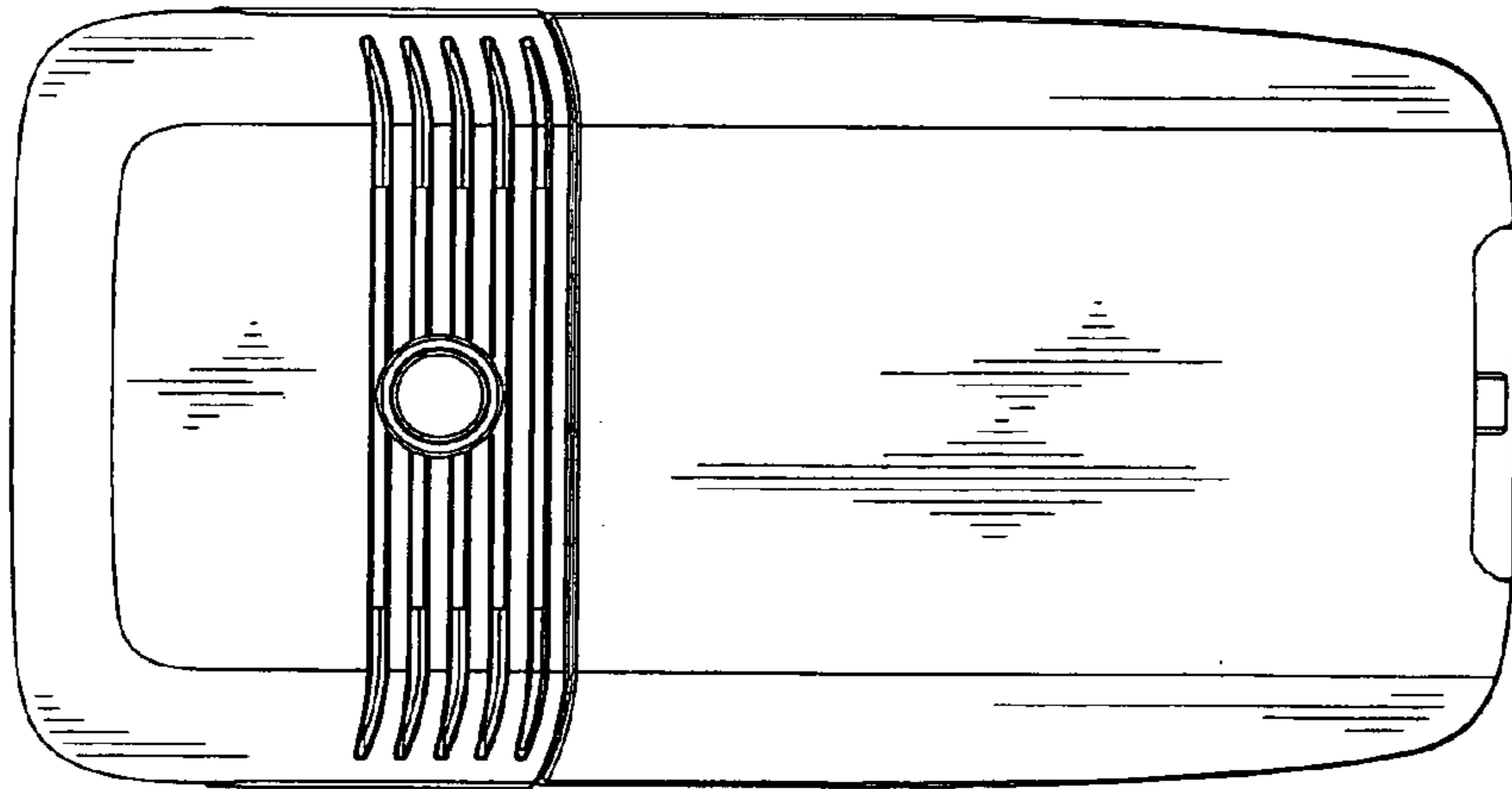


FIG. 7



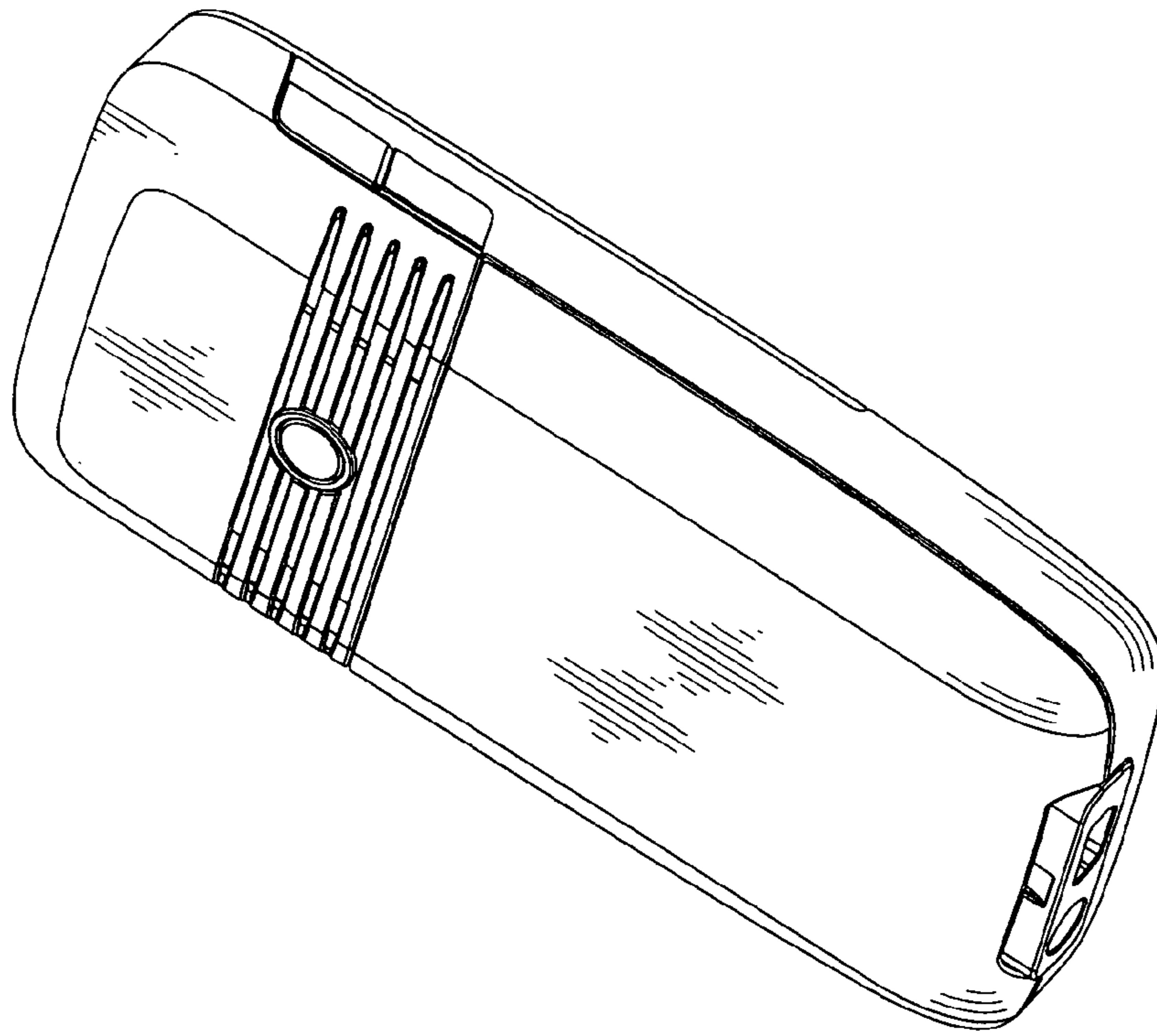


FIG. 8