



US00D555130S

(12) **United States Design Patent** (10) **Patent No.:** **US D555,130 S**
Kim et al. (45) **Date of Patent:** **** Nov. 13, 2007**

(54) **MOBILE PHONE**

(75) Inventors: **Ki-Sung Kim**, Seoul (KR);
Yoon-Young Cho, Seoul (KR);
Chang-Hwan Hwang, Goyang-si (KR)

(73) Assignee: **Samsung Electronics Co., Ltd.**,
Suwon-Si (KR)

(**) Term: **14 Years**

(21) Appl. No.: **29/253,887**

(22) Filed: **Feb. 15, 2006**

(30) **Foreign Application Priority Data**

Sep. 22, 2005 (KR) 30-2005-0032167

(51) **LOC (8) Cl.** **14-03**

(52) **U.S. Cl.** **D14/138**

(58) **Field of Classification Search** D14/137,
D14/138, 147, 218, 341-347, 496; D21/324,
D21/517; 455/90.3, 556.1, 556.2, 575.1,
455/575.3, 575.4; 379/433.01-433.13; 361/814;
348/14.02

See application file for complete search history.

(56) **References Cited**

U.S. PATENT DOCUMENTS

D479,215 S *	9/2003	Yokoyama	D14/138
D508,240 S *	8/2005	Lee et al.	D14/138
D508,473 S *	8/2005	Lee et al.	D14/138
D508,688 S *	8/2005	Lee et al.	D14/138
D509,202 S *	9/2005	Lee et al.	D14/138
D515,060 S *	2/2006	Lee et al.	D14/138
D526,297 S *	8/2006	Lee et al.	D14/138
D526,303 S *	8/2006	Kim et al.	D14/138
D526,989 S *	8/2006	Dimitriadis et al.	D14/138
D527,367 S *	8/2006	Yun et al.	D14/138
D527,369 S *	8/2006	Chung et al.	D14/138
D527,716 S *	9/2006	Kim et al.	D14/138
D528,092 S *	9/2006	Lee et al.	D14/138
D528,533 S *	9/2006	Lee et al.	D14/138
D529,014 S *	9/2006	Kim et al.	D14/138

D529,473 S *	10/2006	Kim et al.	D14/138
D529,475 S *	10/2006	Lee et al.	D14/138
D533,533 S *	12/2006	Kim et al.	D14/138
D535,272 S *	1/2007	Kim et al.	D14/138
D535,966 S *	1/2007	Lee et al.	D14/138
2005/0107126 A1 *	5/2005	Kim	455/565
2005/0181846 A1 *	8/2005	Taneya et al.	455/575.3
2005/0190291 A1 *	9/2005	Kota et al.	348/376
2005/0250532 A1 *	11/2005	Hwang et al.	455/550.1
2007/0021160 A1 *	1/2007	Li	455/575.4

OTHER PUBLICATIONS

Samsung S400i, announced Feb. 2006, [online], [retrieved on Feb. 8, 2007]. Retrieved from Internet ,<URL: <http://www.gsmarena.com>>.*

Samsung Z320i, announced 4th quarter 2005, [online], [retrieved on Feb. 8, 2007]. Retrieved from Internet ,<URL: <http://www.gsmarena.com>>.*

VK Mobile VK4500, announced 4th quarter 2005, [online], [retrieved on Feb. 20, 2007]. Retrieved from Internet ,<URL: <http://www.gsmarena.com>>.*

* cited by examiner

Primary Examiner—Jeffrey Asch

Assistant Examiner—Bridget L. Eland

(74) *Attorney, Agent, or Firm*—Staas & Halsey LLP

(57) **CLAIM**

The ornamental design for the mobile phone, as shown and described.

DESCRIPTION

FIG. 1 is a perspective view of the mobile phone showing our design;

FIG. 2 is a front view thereof;

FIG. 3 is a rear view thereof;

FIG. 4 is a left side view thereof;

FIG. 5 is a right side view thereof;

FIG. 6 is a top plan view thereof; and,

FIG. 7 is a bottom plan view thereof.

1 Claim, 3 Drawing Sheets

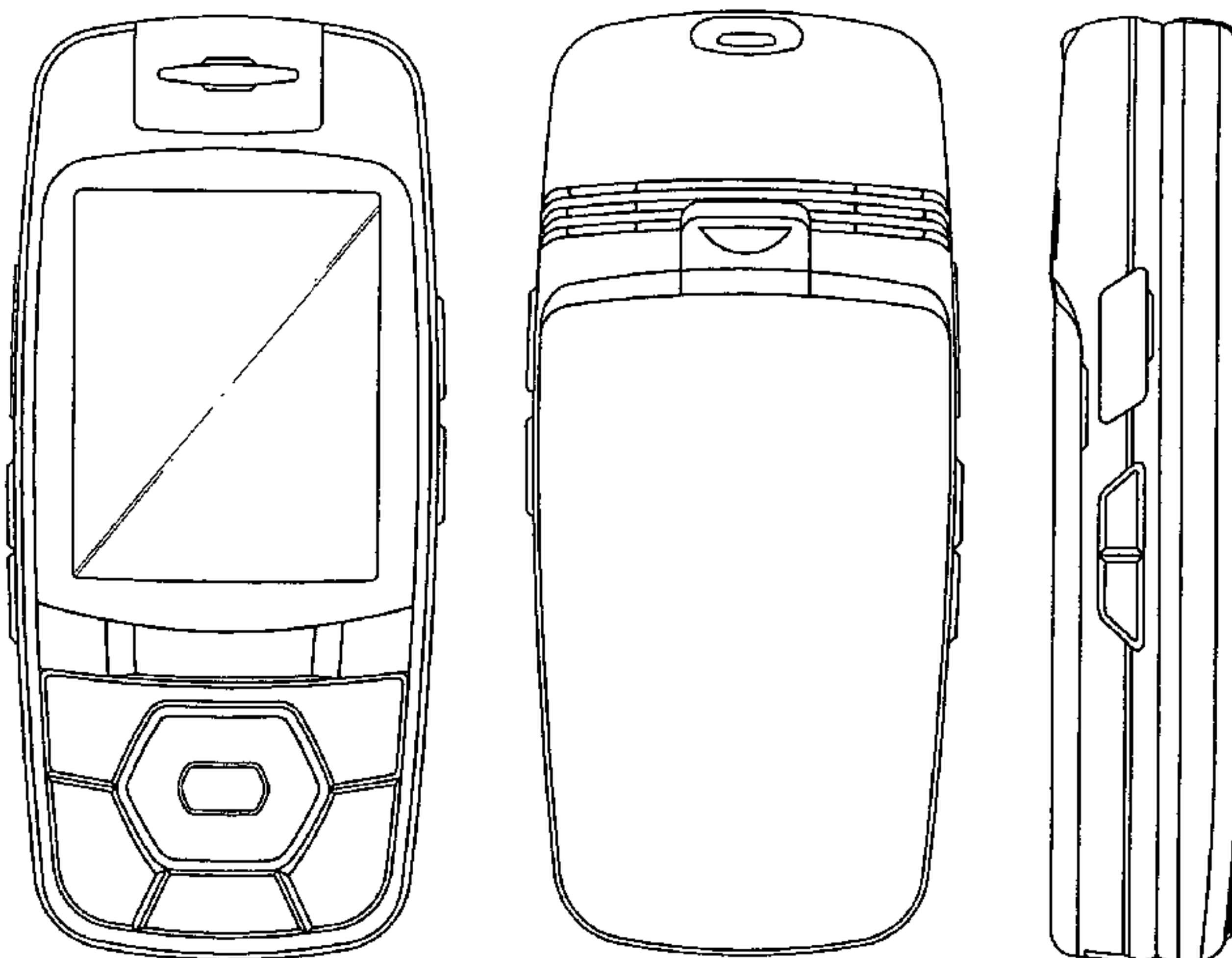


FIG. 1

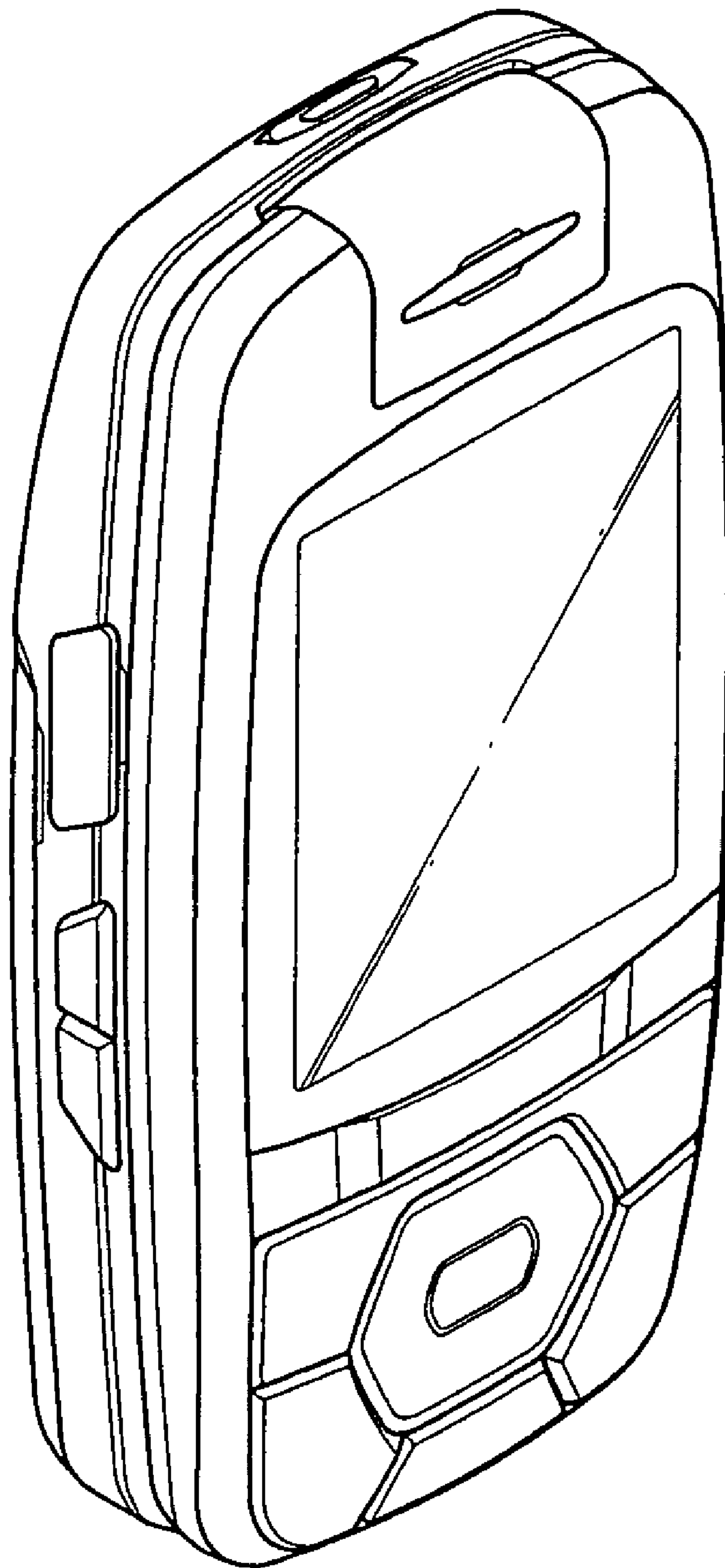


FIG. 2

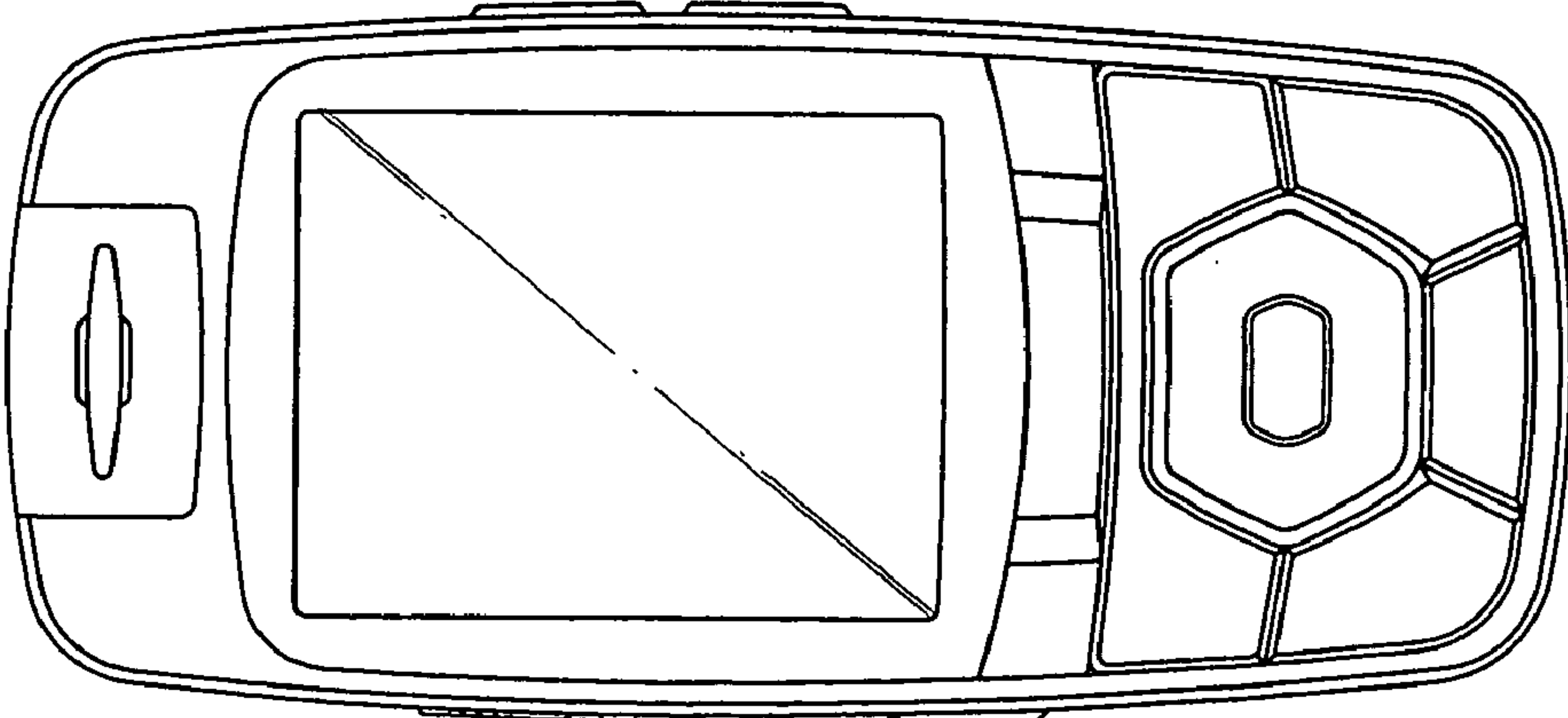


FIG. 3

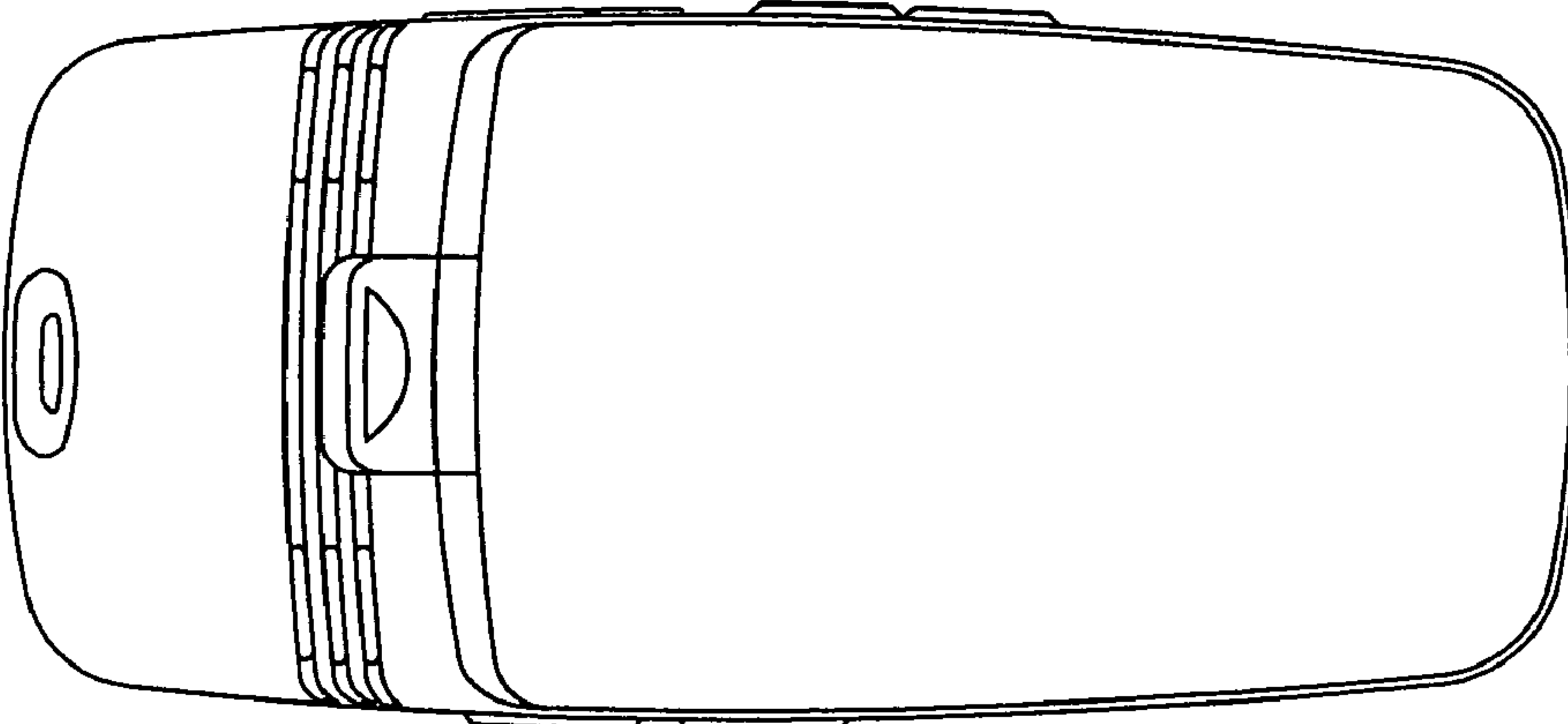


FIG. 4

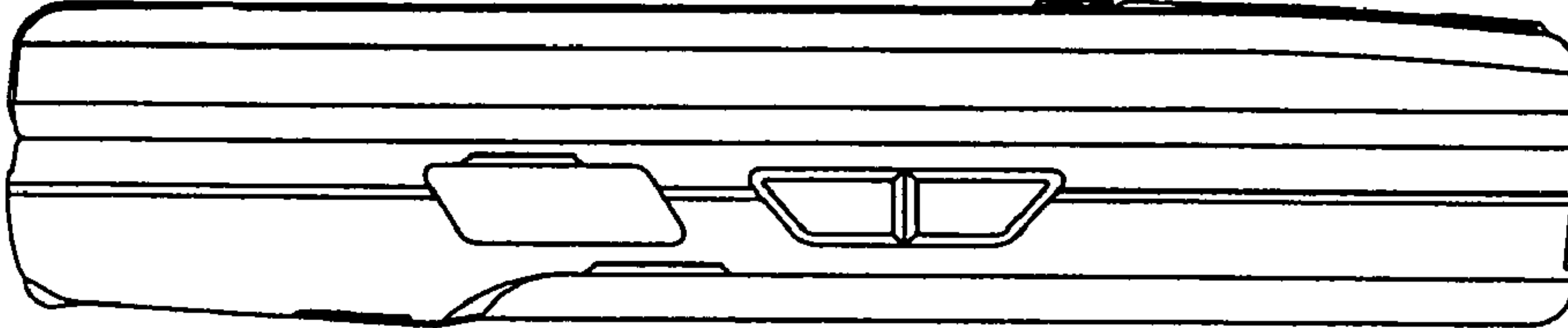


FIG. 5

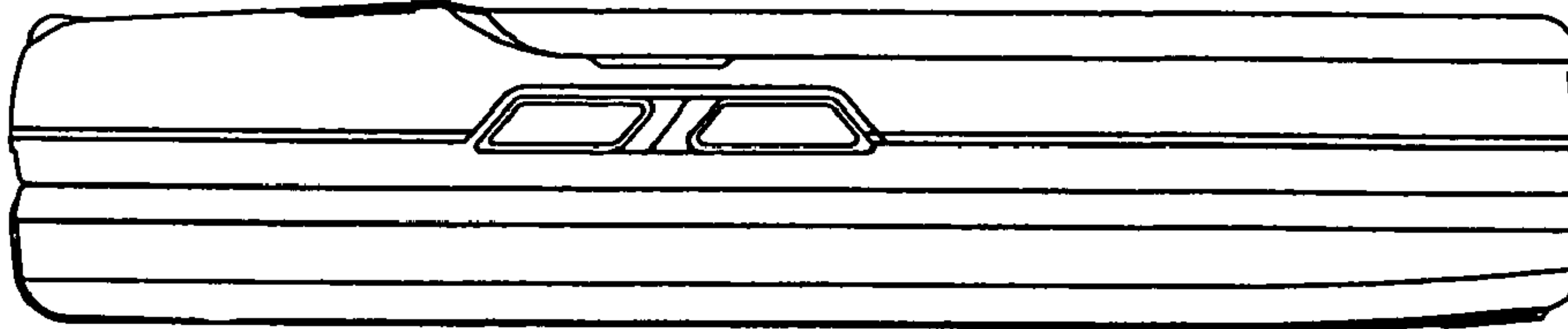


FIG. 6

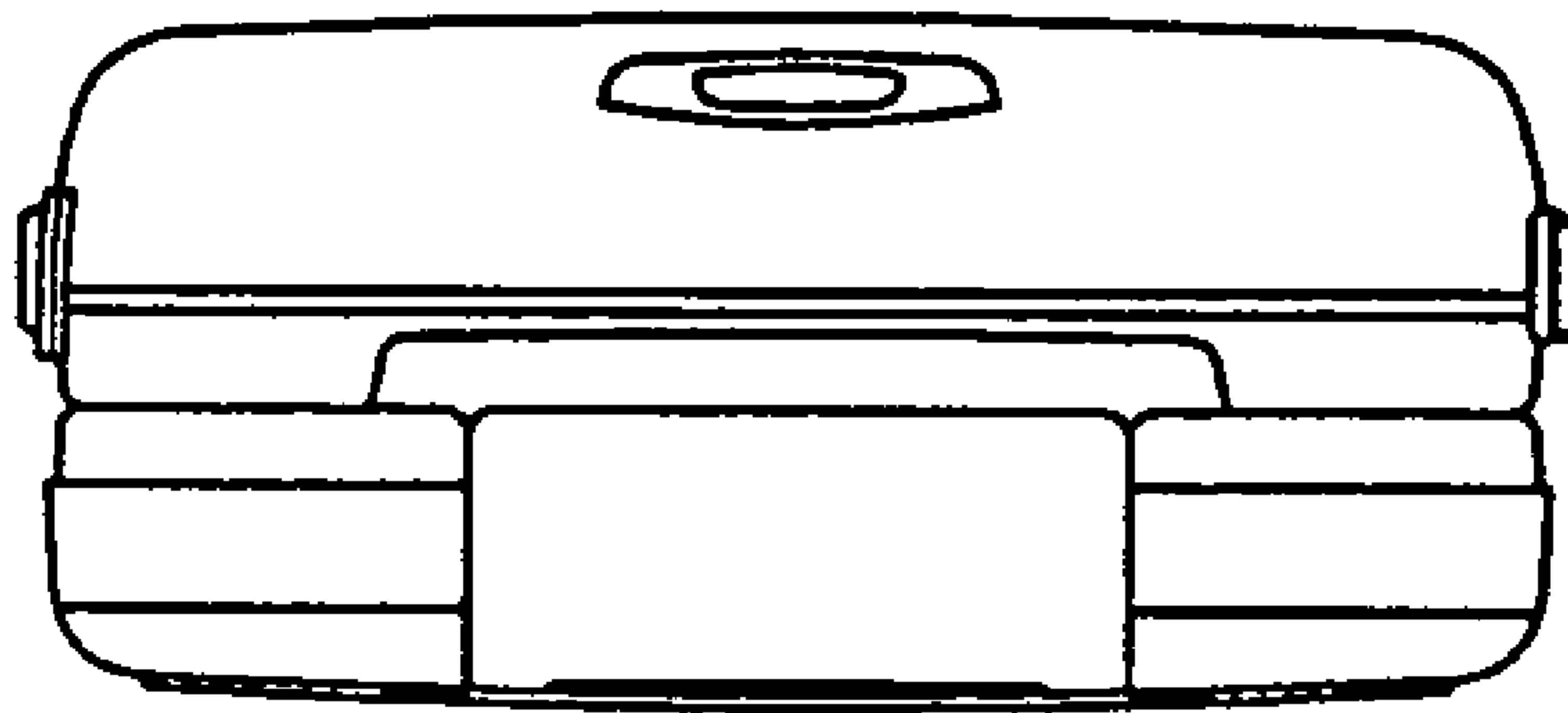


FIG. 7

