



US00D555127S

(12) **United States Design Patent**
Park et al.

(10) **Patent No.:** **US D555,127 S**

(45) **Date of Patent:** **** Nov. 13, 2007**

(54) **MOBILE PHONE**

(75) Inventors: **Jun-Sang Park**, Anyang-si (KR);
Joon-Suh Kim, Anyang-si (KR);
Chang-Soo Lee, Incheon (KR)

(73) Assignee: **Samsung Electronics Co., Ltd.** (KR)

(**) Term: **14 Years**

(21) Appl. No.: **29/249,524**

(22) Filed: **Oct. 10, 2006**

(30) **Foreign Application Priority Data**

Aug. 8, 2006 (KR) 30-2006-0032848

(51) **LOC (8) Cl.** **14-03**

(52) **U.S. Cl.** **D14/138**

(58) **Field of Classification Search** D14/137-138,
D14/147-148, 156, 218, 247-248, 341-347,
D14/496; D16/208; D21/329, 331, 333,
D21/517; 348/14.01-14.02; 361/814; 379/
433.01-433.13; 455/556.1-556.2, 575.1,
455/575.3, 575.4, 566, 90.3

See application file for complete search history.

(56) **References Cited**

U.S. PATENT DOCUMENTS

D488,789 S *	4/2004	Lee	D14/138
D515,528 S *	2/2006	Miyazawa et al.	D14/138
D538,252 S *	3/2007	Joung	D14/138
D538,773 S *	3/2007	Joung	D14/138
D539,254 S *	3/2007	Park et al.	D14/138
D539,257 S *	3/2007	Obata et al.	D14/138
D539,778 S *	4/2007	Yeh et al.	D14/138
D540,773 S *	4/2007	Meng et al.	D14/138

D542,260 S *	5/2007	Lee	D14/138
D543,171 S *	5/2007	Kim et al.	D14/138
D543,188 S *	5/2007	Minamide et al.	D14/138
2005/0221874 A1 *	10/2005	Cho et al.	455/575.4

OTHER PUBLICATIONS

“Samsung P300”, 2pp including photos, [online], <URL: http://www.gsmarena.com/samsung_p300-1351.php>, announced 4Q 2005, retrieved Jun. 5, 2007.*

* cited by examiner

Primary Examiner—Ian Simmons

Assistant Examiner—Carla Jobe Wright

(74) *Attorney, Agent, or Firm*—Cantor Colburn LLP

(57) **CLAIM**

We claim, the ornamental design for a mobile phone, as shown and described.

DESCRIPTION

FIG. 1 is a top and front perspective view of a mobile phone, showing our new design;

FIG. 2 is a front elevational view thereof;

FIG. 3 is a rear elevational view thereof;

FIG. 4 is a left side elevational view thereof;

FIG. 5 is a right side elevational view thereof;

FIG. 6 is a top plan view thereof;

FIG. 7 is a bottom plan view thereof;

FIG. 8 is a front elevational view thereof showing the upper portion of the mobile phone in a rotated position: and,

FIG. 9 is a rear elevational view thereof showing the upper portion of the mobile phone in a rotated position.

1 Claim, 6 Drawing Sheets

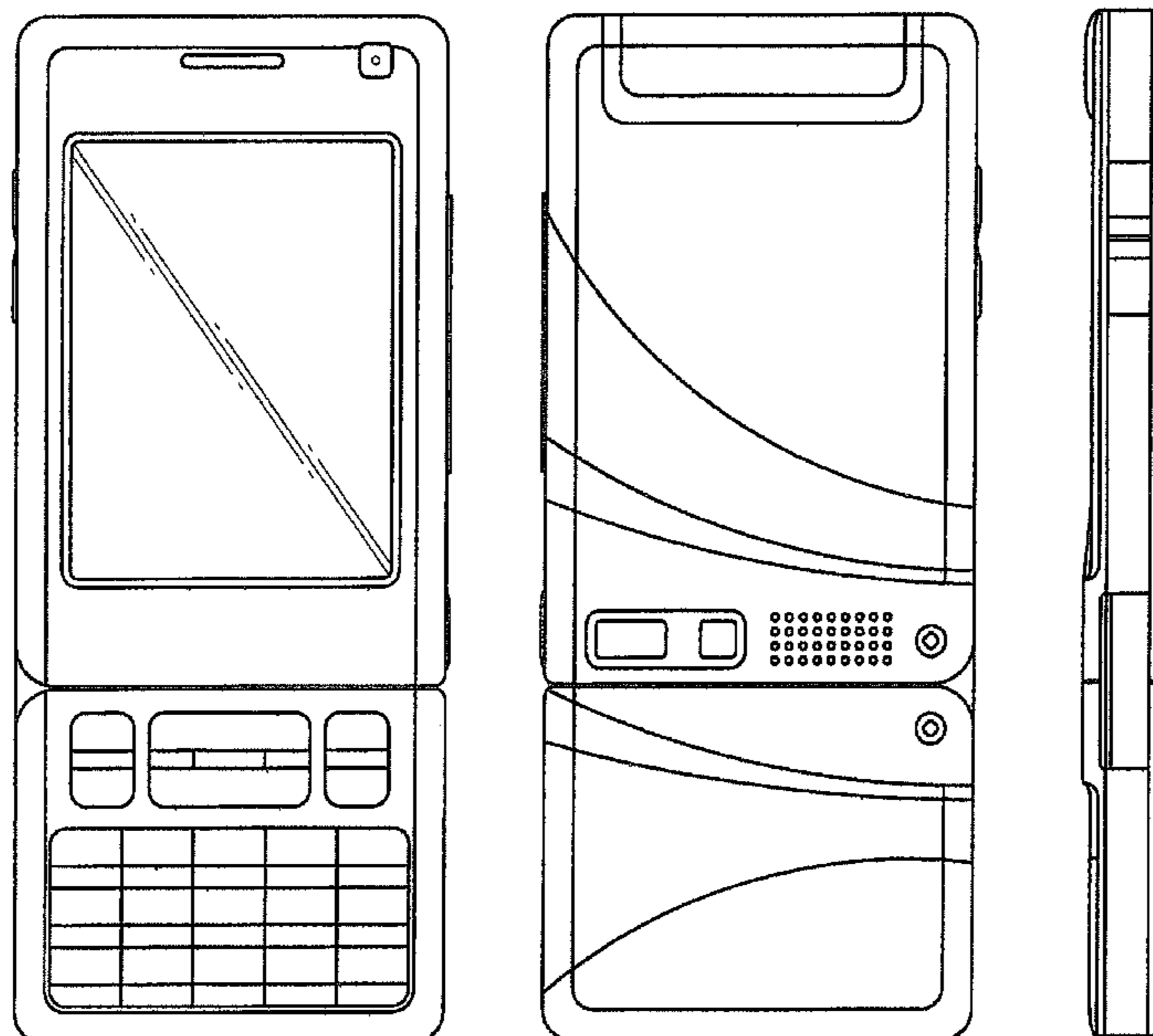


FIG. 1

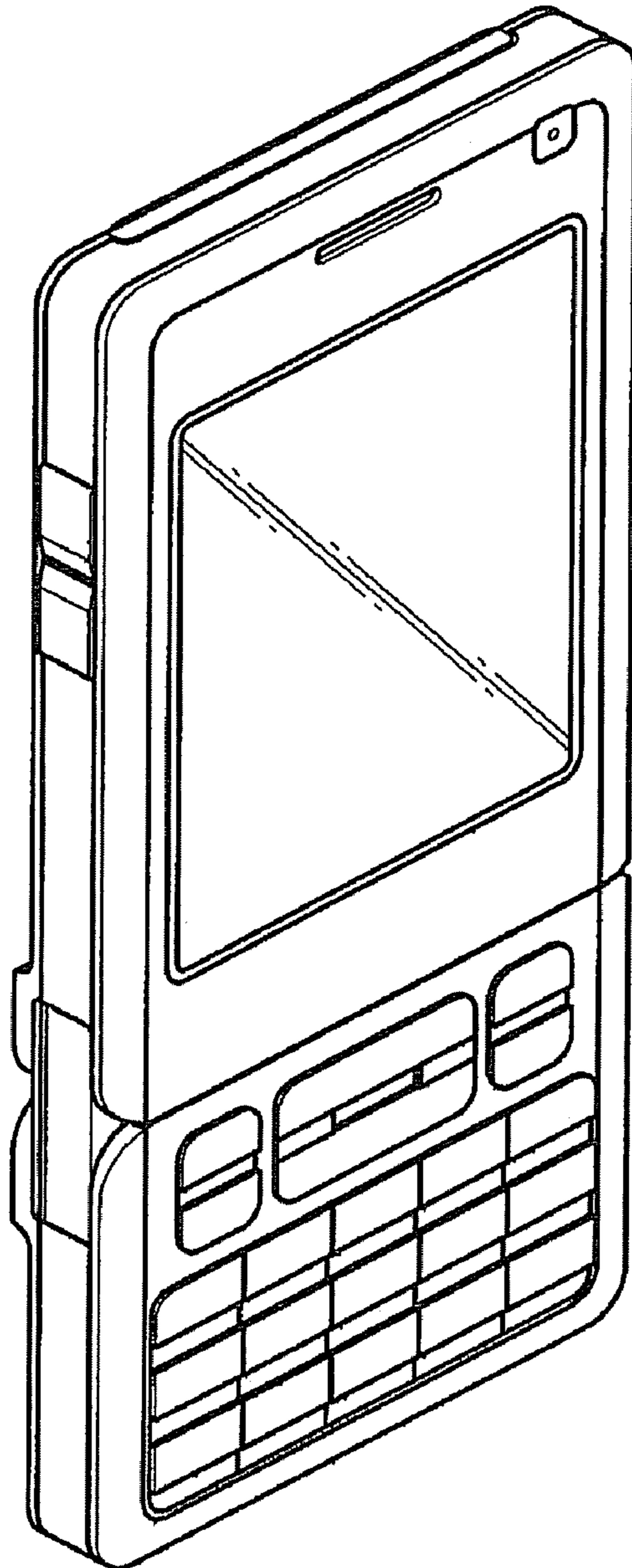


FIG. 2

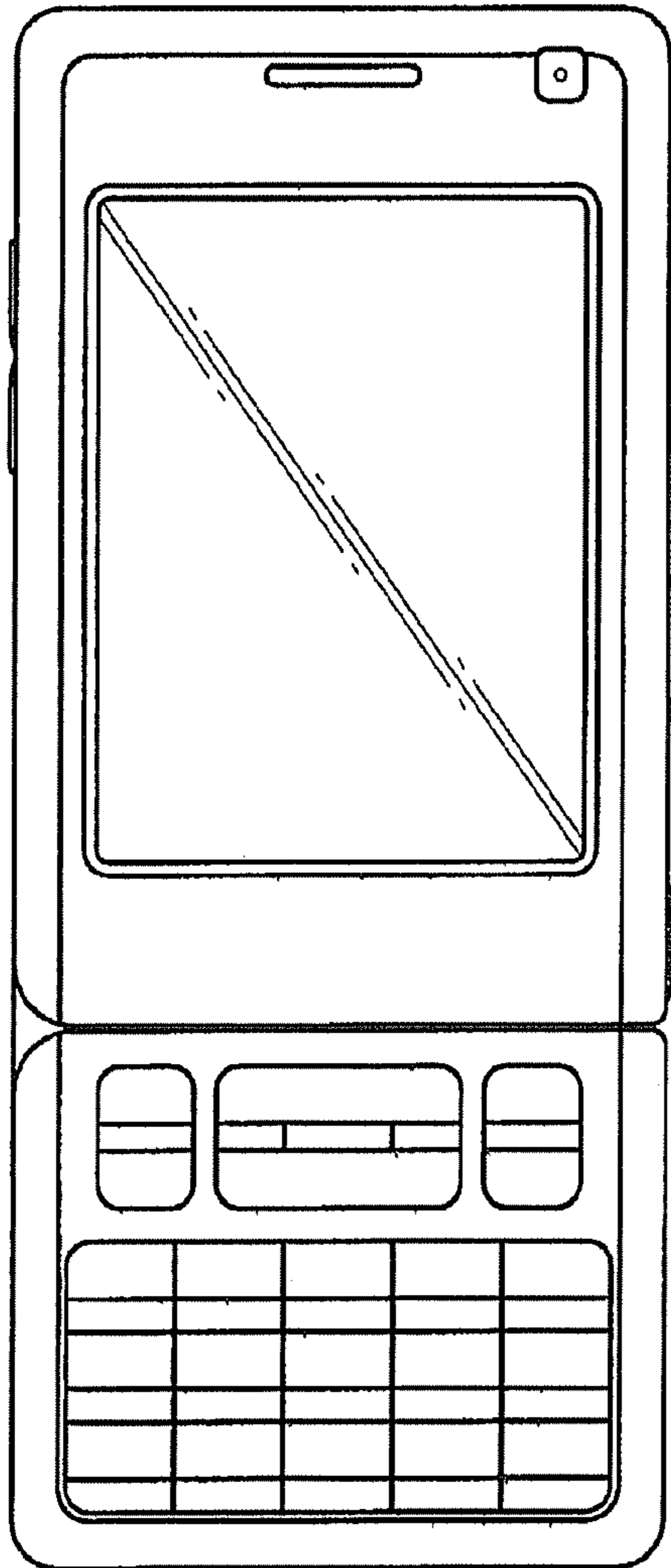


FIG. 3

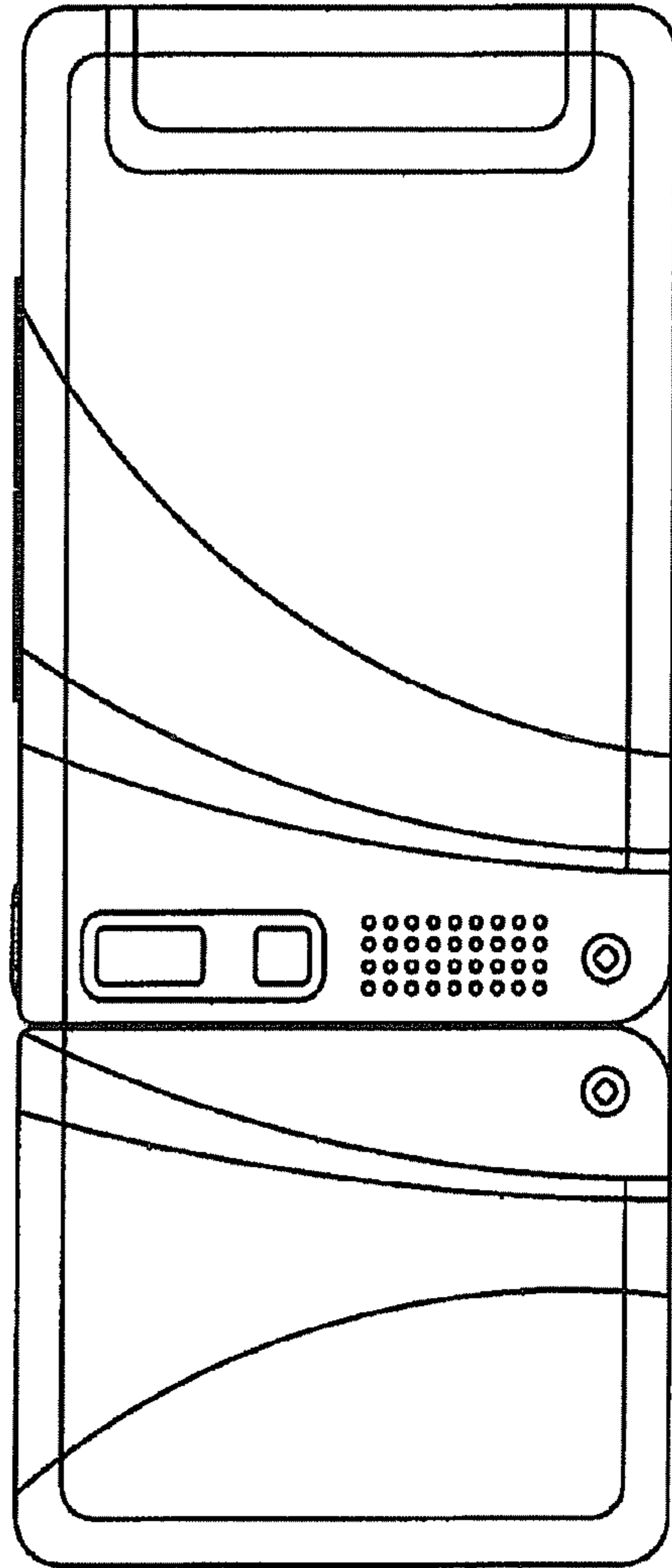


FIG. 4

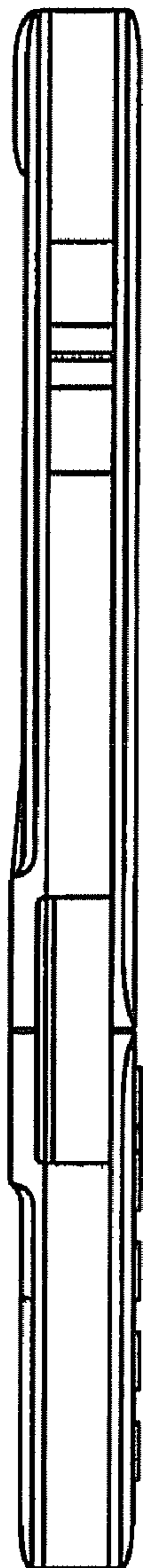


FIG. 5



FIG. 6

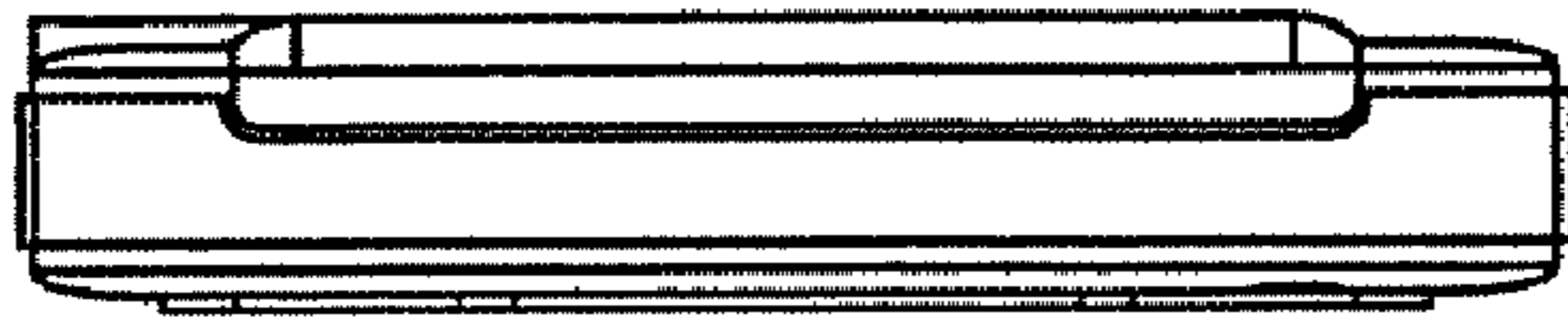


FIG. 7

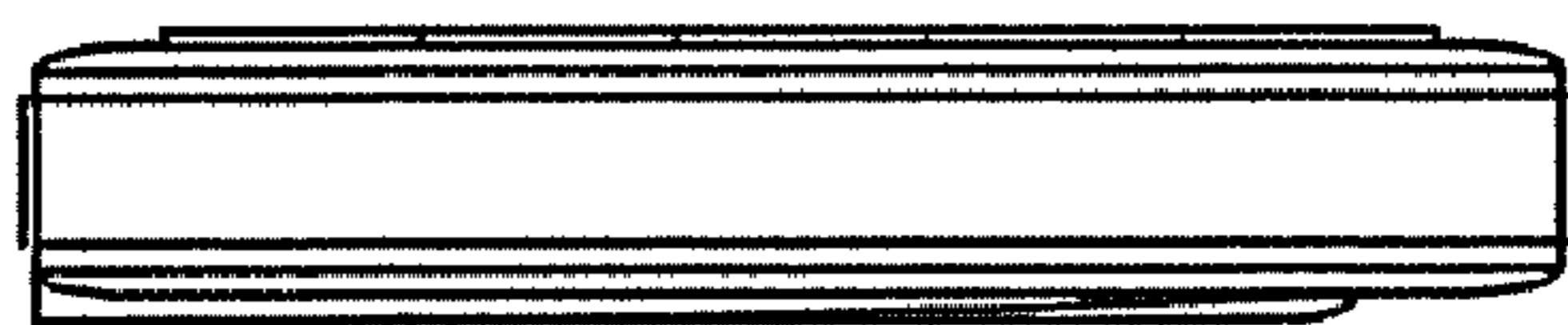


FIG. 8

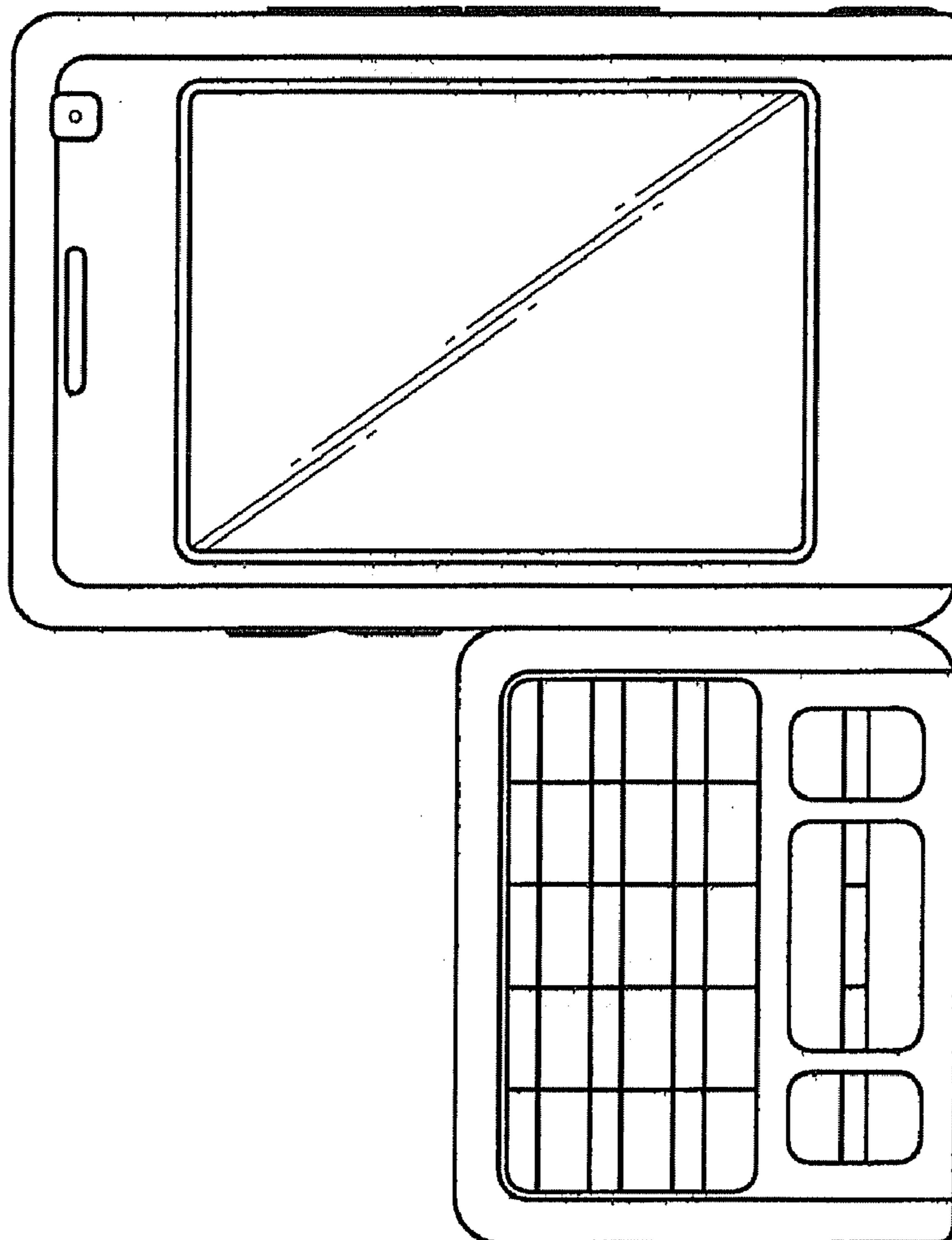


FIG. 9

