



US00D555123S

(12) **United States Design Patent**
Mehandjiysky et al.

(10) **Patent No.:** **US D555,123 S**

(45) **Date of Patent:** **** Nov. 13, 2007**

(54) **HANDSET/CAMERA**

(75) Inventors: **Dimitre Mehandjiysky**, Woodland Hills, CA (US); **Tanja Fisher**, Twickenham (GB); **Tej Chauhan**, Edgward (GB); **Totti Helin**, Helsinki (FI); **Valérie Pegon**, London (GB); **Grace Boicel**, London (GB)

(73) Assignee: **Nokia Corporation**, Espoo (FI)

(**) Term: **14 Years**

(21) Appl. No.: **29/239,899**

(22) Filed: **Oct. 6, 2005**

(51) **LOC (8) Cl.** **14-03**

(52) **U.S. Cl.** **D14/138; D16/212**

(58) **Field of Classification Search** D14/130, D14/138, 341, 496; D16/200, 206, 208, D16/209, 218-219, 213; D21/514; 348/373-376, 348/333.02; 358/906, 909.1; 396/531-541; 455/556.1, 575.1, 575.4; 379/433.01

See application file for complete search history.

(56) **References Cited**

U.S. PATENT DOCUMENTS

D259,492 S *	6/1981	Swayze	D16/209
D329,862 S *	9/1992	Watanabe et al.	D16/208
D456,830 S *	5/2002	Chen	D16/202
D464,071 S *	10/2002	Liu	D16/202
D464,664 S *	10/2002	Huang	D16/202
D479,850 S *	9/2003	Zuang	D16/202
D537,058 S *	2/2007	Chauhan et al.	D14/138
D537,808 S *	3/2007	Lee	D14/156

FOREIGN PATENT DOCUMENTS

WO DM/066748 7/2005

OTHER PUBLICATIONS

Minox Germany—"The 8x11 Subminiature Cameras" 9 pages exact date of publication is unknown. However, published prior to Oct. 6, 2005.

* cited by examiner

Primary Examiner—Ian Simmons

Assistant Examiner—Wan Laymon

(74) *Attorney, Agent, or Firm*—Banner & Witcoff, Ltd.

(57) **CLAIM**

The ornamental design for a handset/camera, as shown and described.

DESCRIPTION

FIG. 1 is a bottom plan view of a first handset/camera showing our new design; and

FIG. 2 is a right side view thereof;

FIG. 3 is a front view thereof;

FIG. 4 is a left side view thereof;

FIG. 5 is a top plan view thereof;

FIG. 6 is a rear view thereof;

FIG. 7 is a bottom, front and right side perspective view thereof;

FIG. 8 is a rear, top and right side perspective view thereof;

FIG. 9 is a top, front and left side perspective view thereof;

FIG. 10 is a rear, top and left side perspective view thereof;

FIG. 11 is a bottom plan view of a second handset/camera showing our new design;

FIG. 12 is a right side view thereof;

FIG. 13 is a front view thereof;

FIG. 14 is a left side view thereof;

FIG. 15 is a top plan view thereof;

FIG. 16 is a rear view thereof;

FIG. 17 is a bottom, front and right side perspective view thereof;

FIG. 18 is a rear, top and right side perspective view thereof;

FIG. 19 is a top, front and left side perspective view thereof;

FIG. 20 is a rear, top and left side perspective view thereof;

FIG. 21 is a bottom plan view of a third handset/camera showing our new design;

FIG. 22 is a right side view thereof;

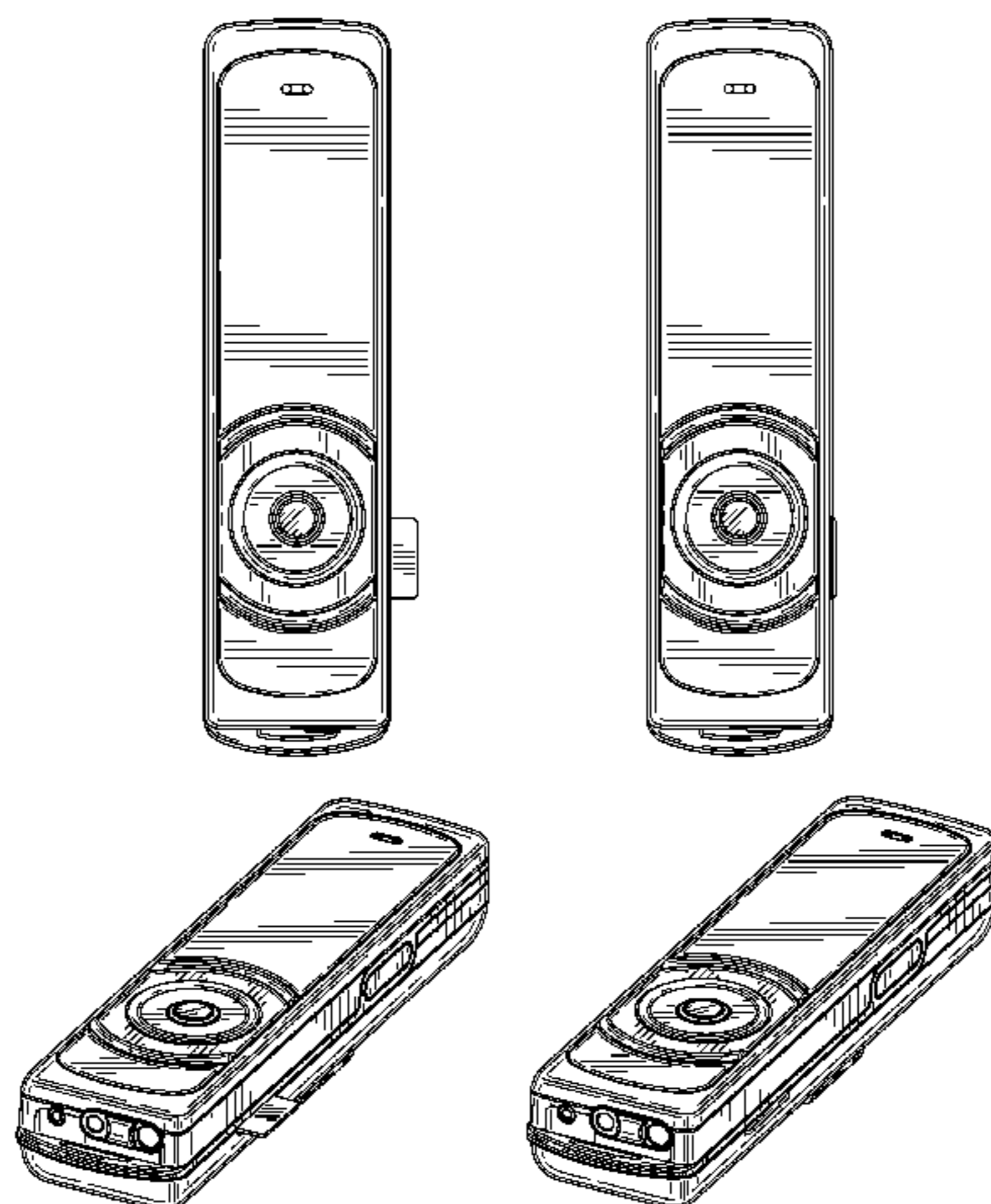


FIG. **23** is a front view thereof;

FIG. **24** is a left side view thereof;

FIG. **25** is a top plan view thereof;

FIG. **26** is a rear view thereof;

FIG. **27** is a bottom, front and right side perspective view thereof;

FIG. **28** is a rear, top and right side perspective view thereof;

FIG. **29** is a top, front and left side perspective view thereof;
and,

FIG. **30** is a rear, top and left side perspective view thereof.

1 Claim, 12 Drawing Sheets

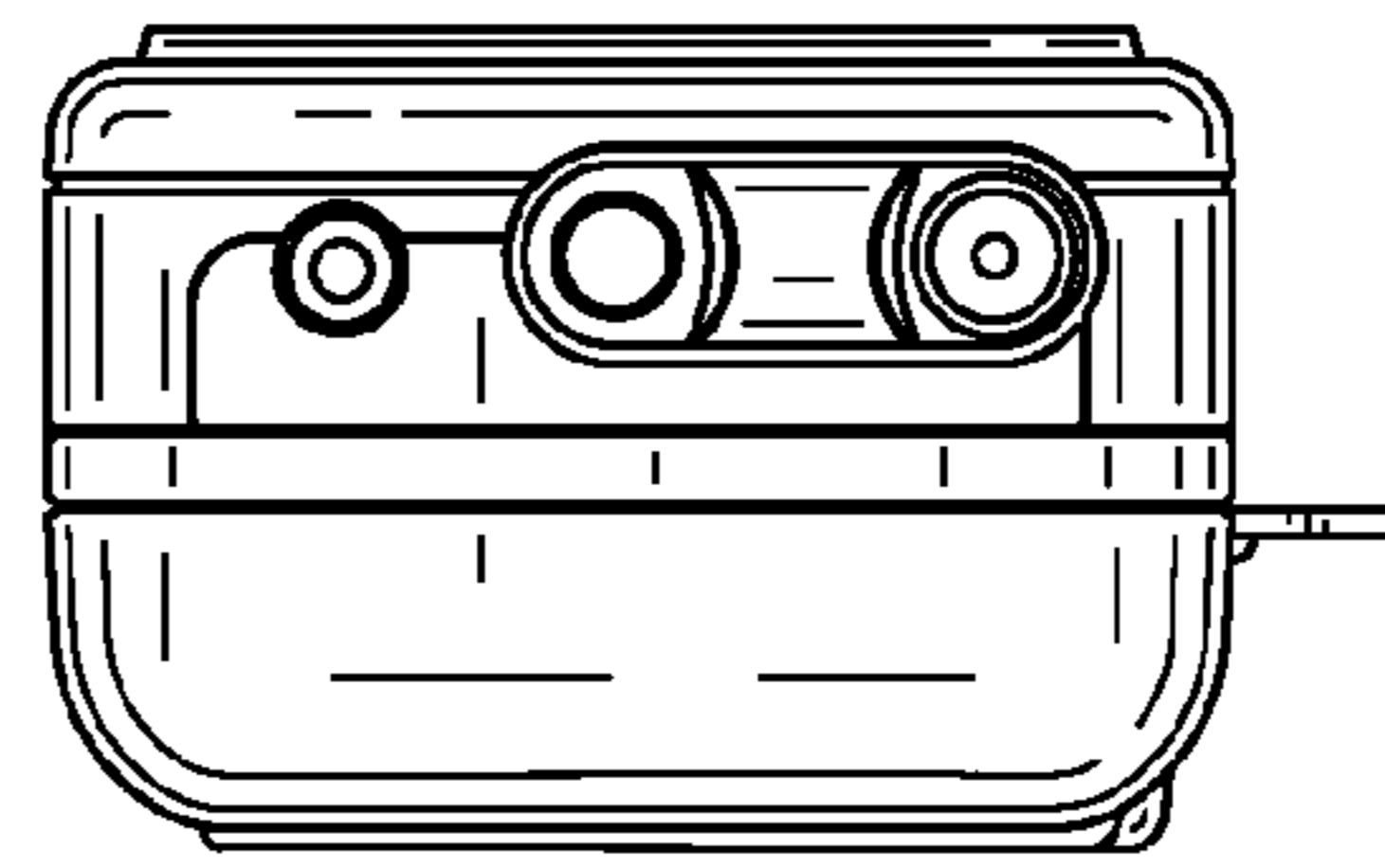


FIG. 1

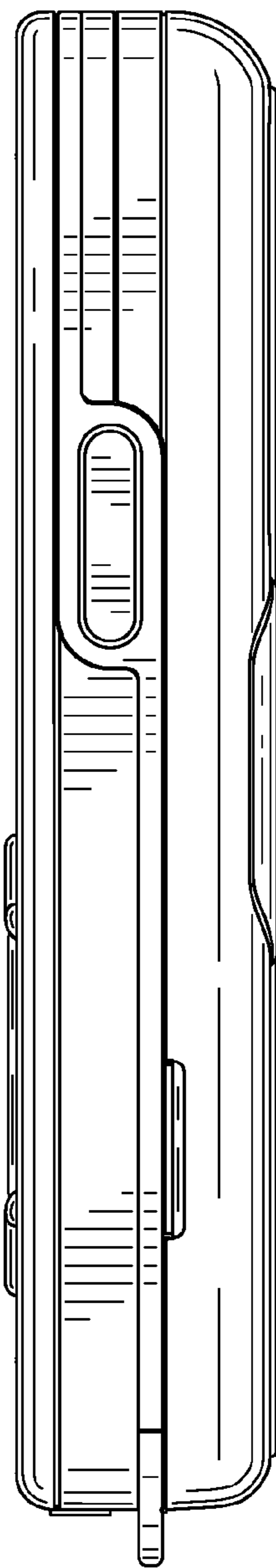


FIG. 2

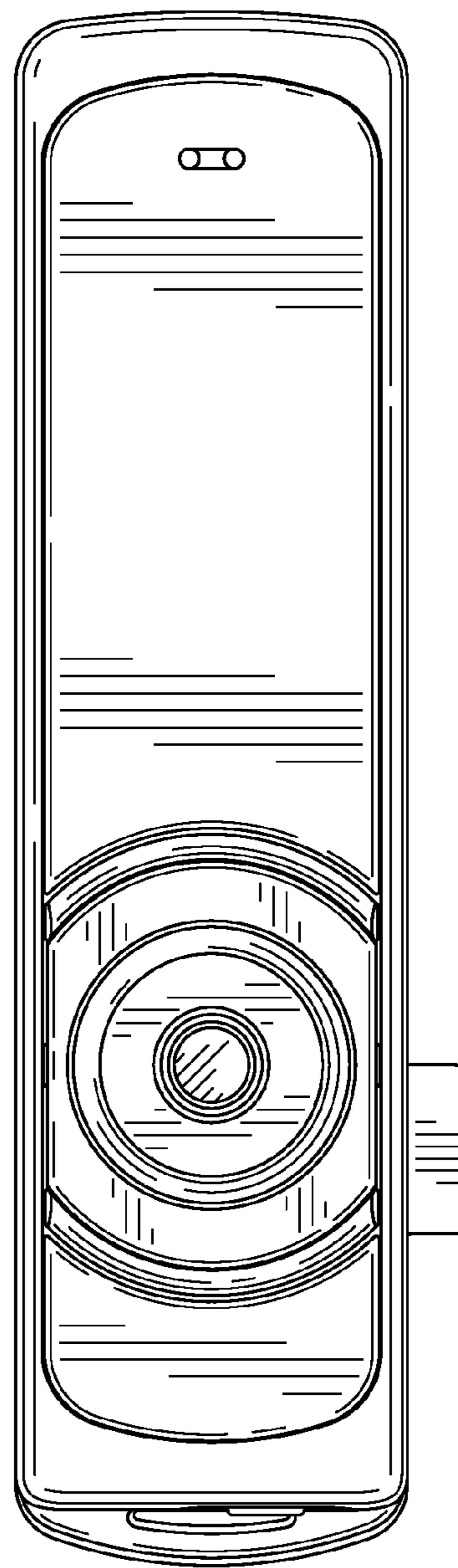


FIG. 3

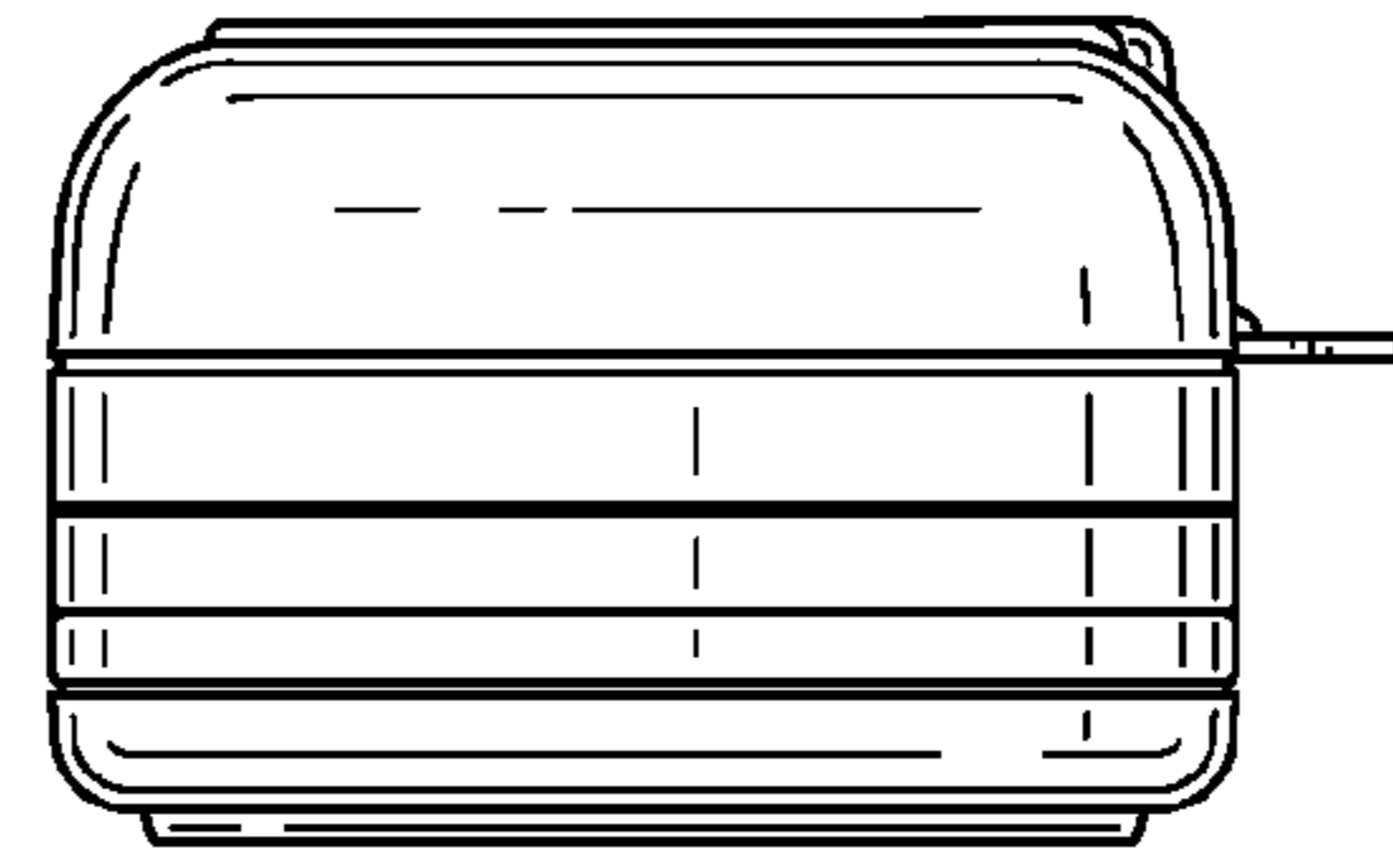


FIG. 5

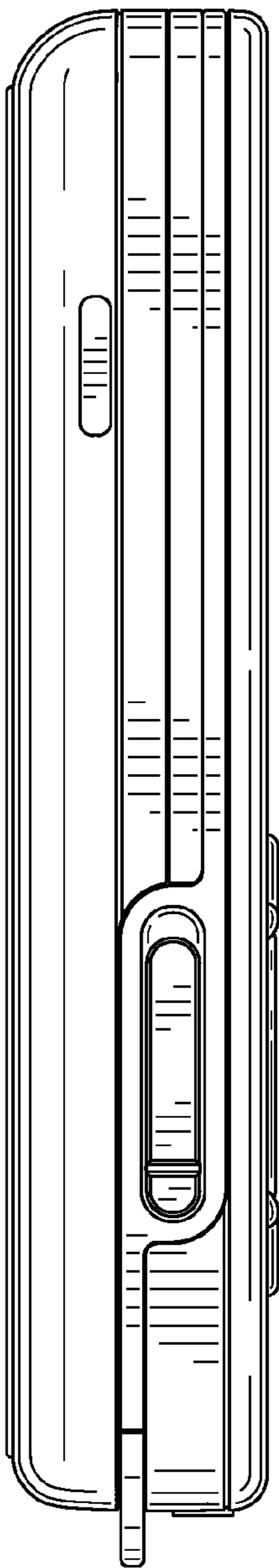


FIG. 4

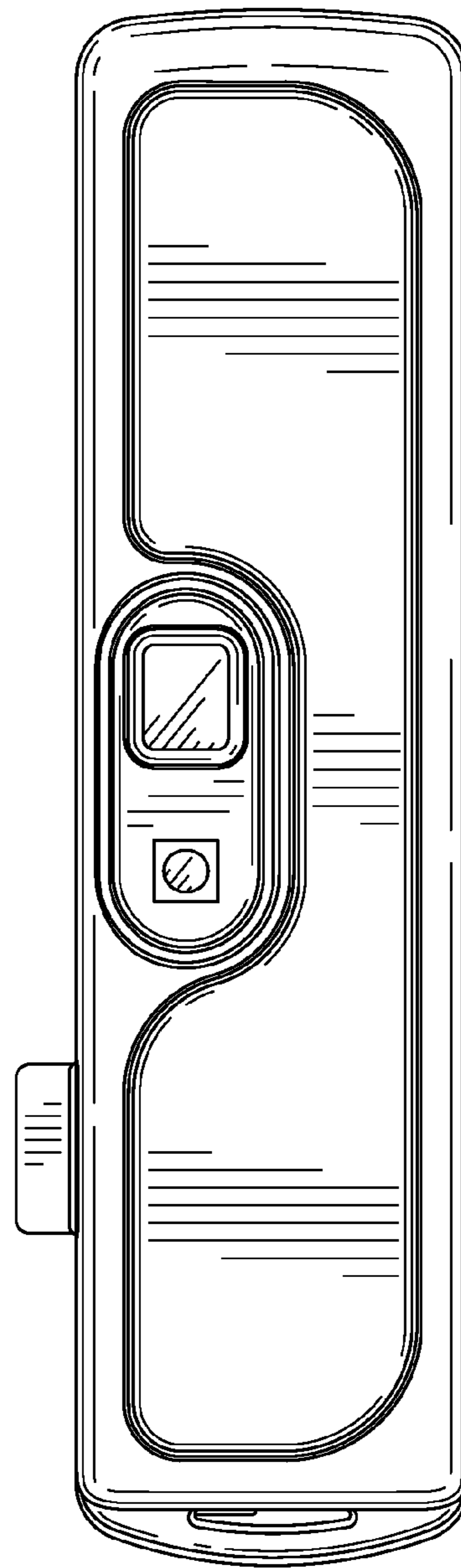


FIG. 6

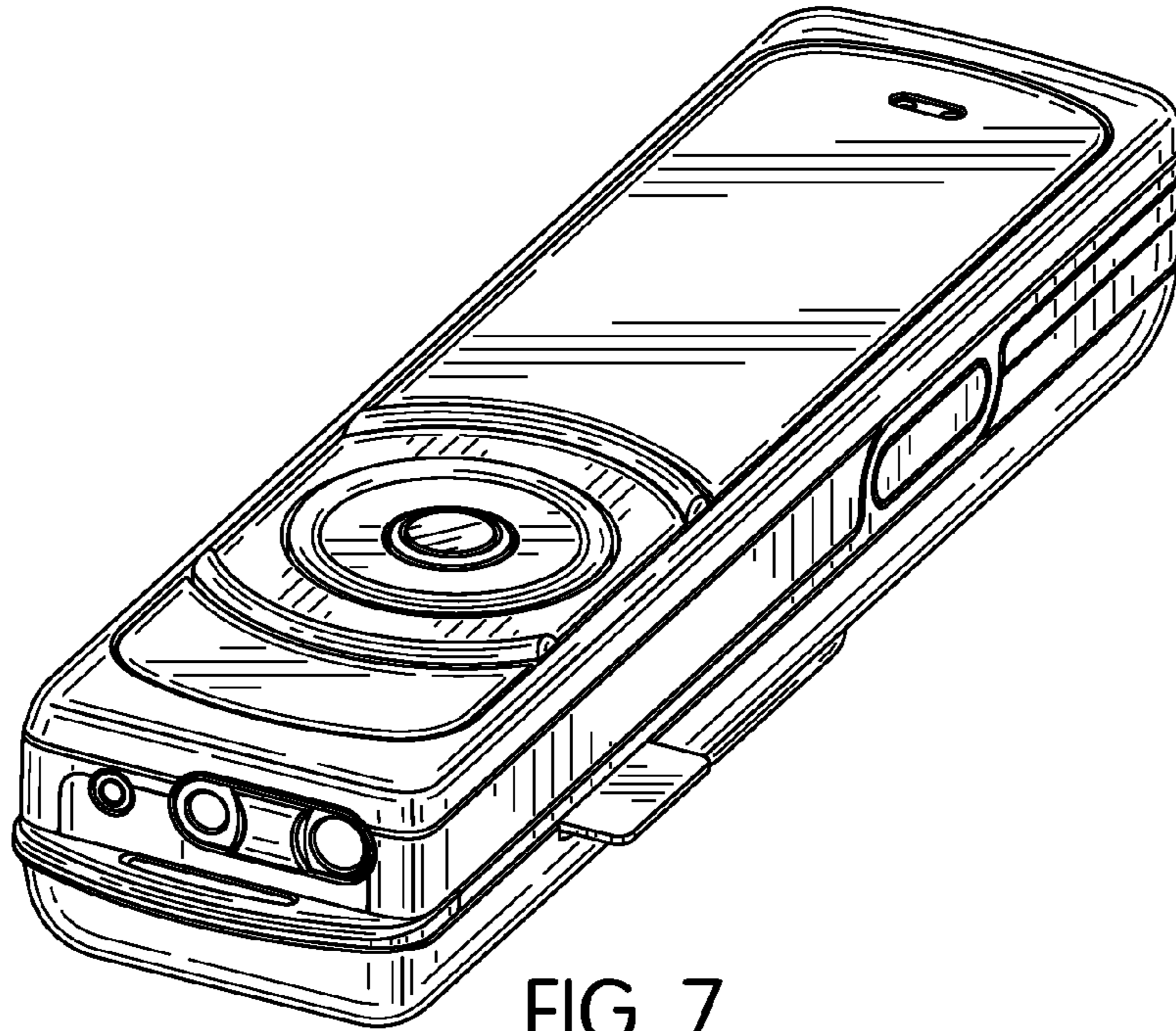


FIG. 7

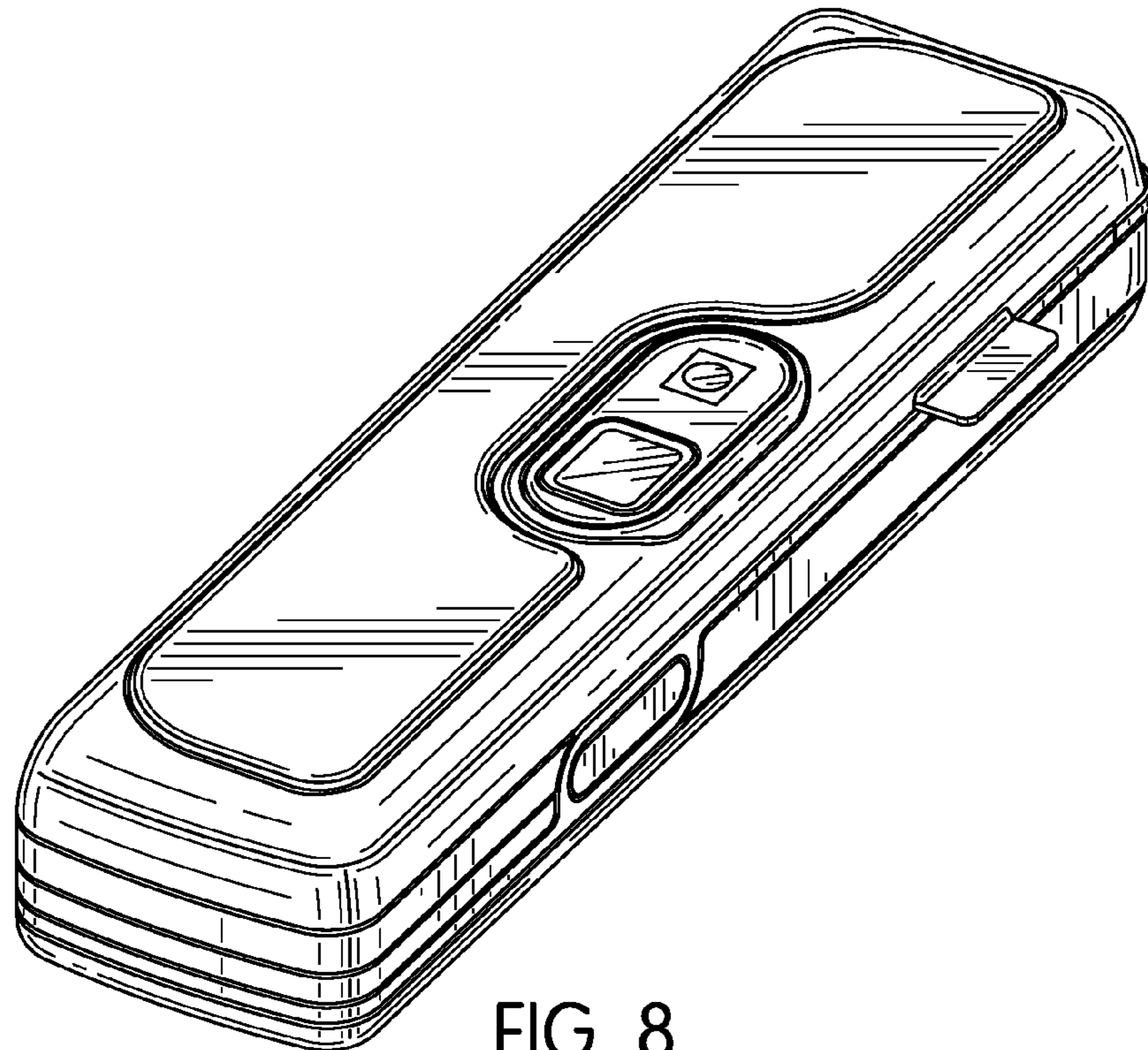


FIG. 8

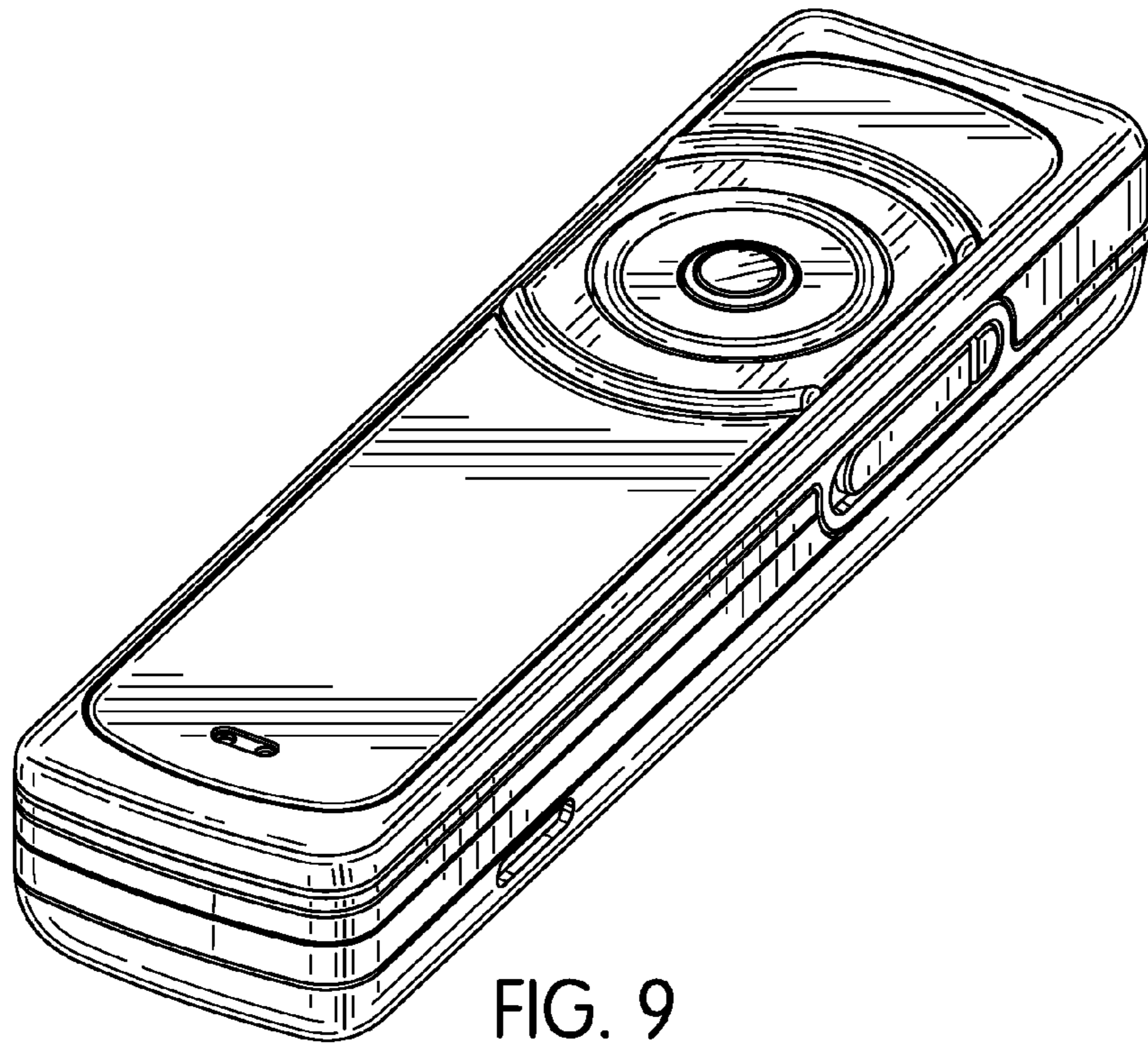


FIG. 9

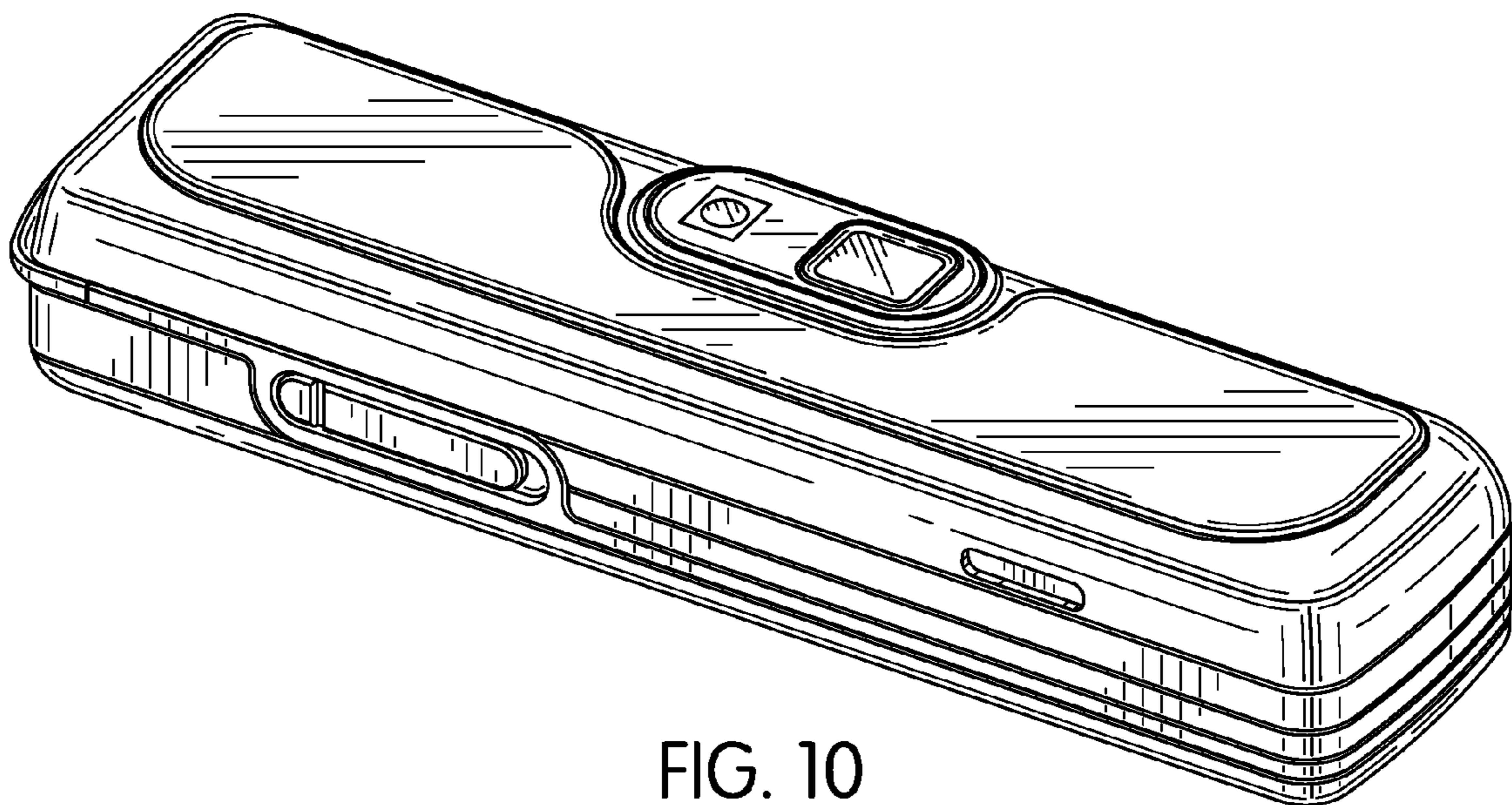


FIG. 10

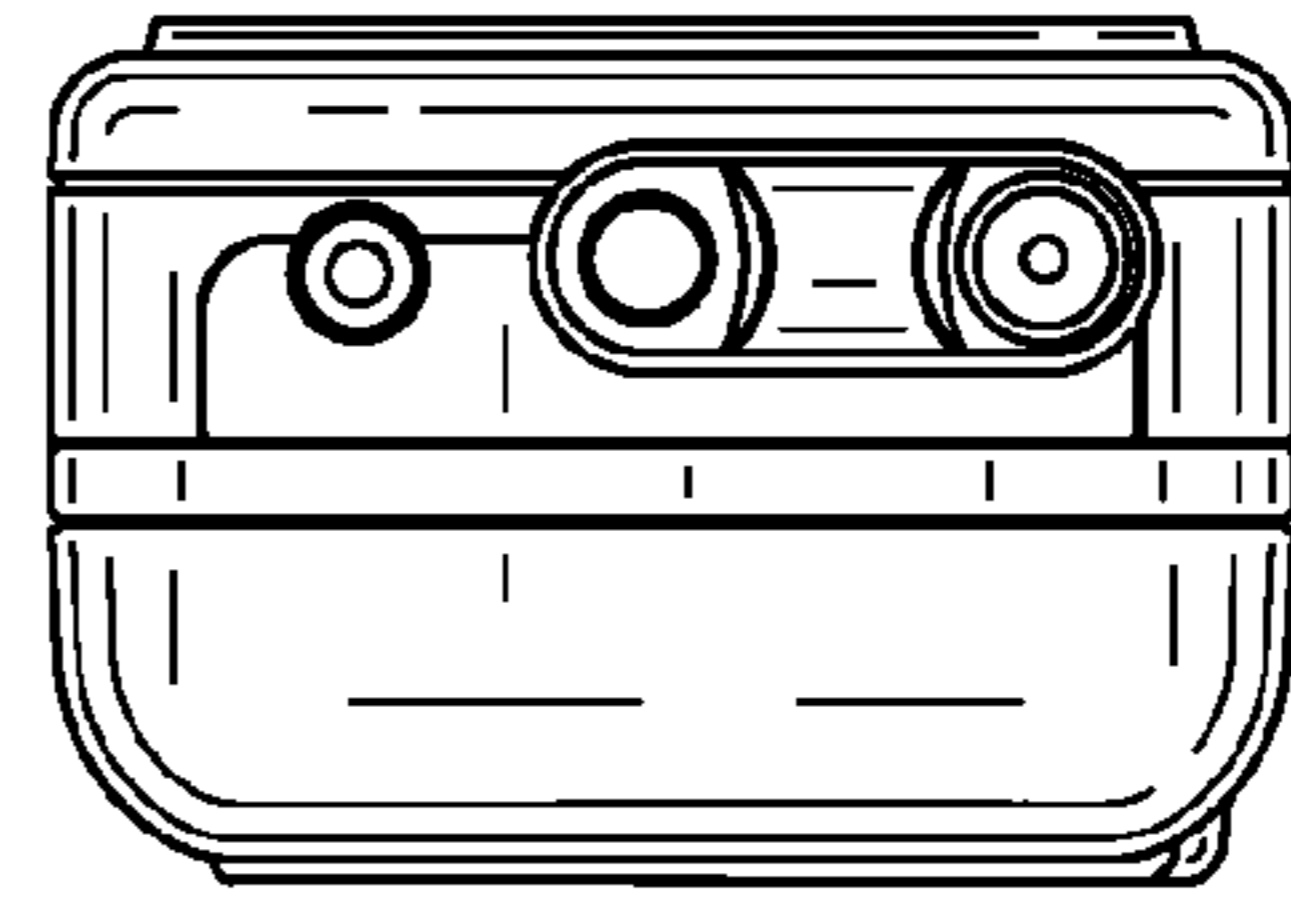


FIG. 11

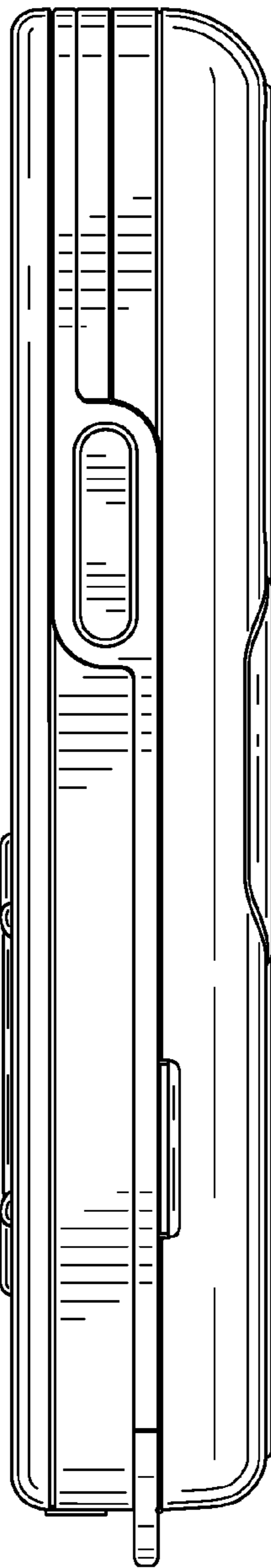


FIG. 12

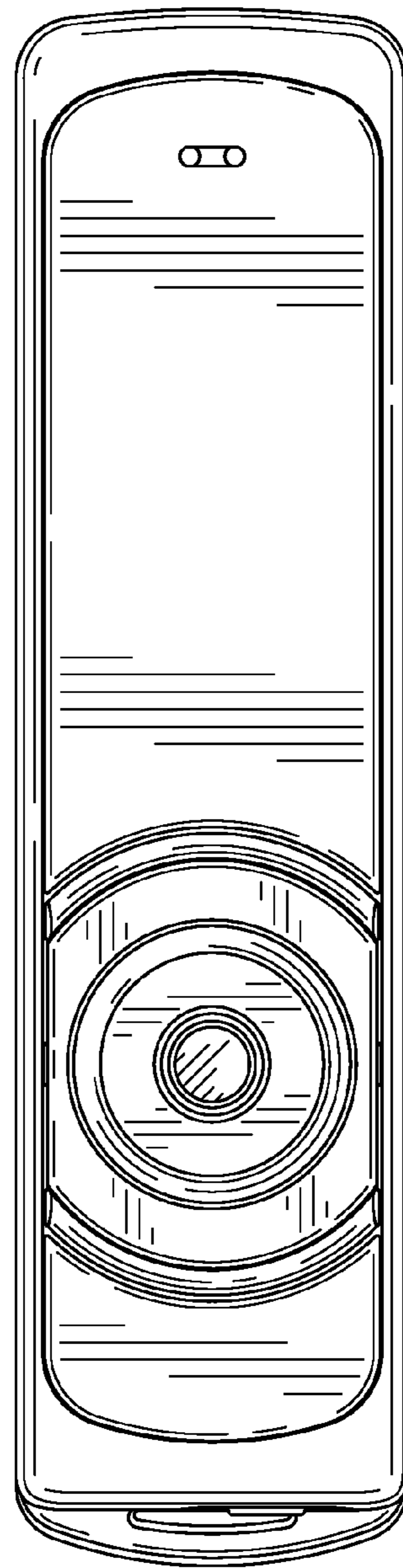


FIG. 13

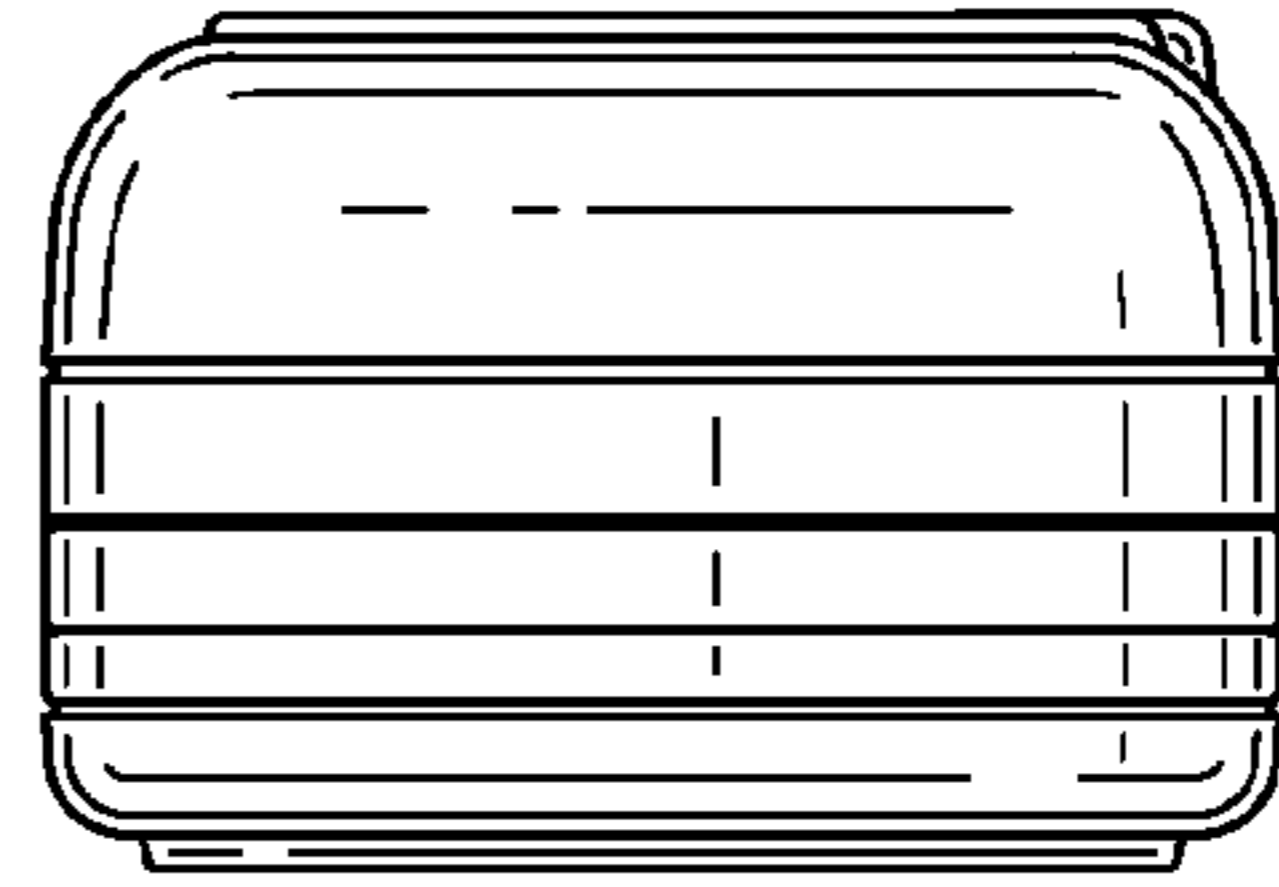


FIG. 15

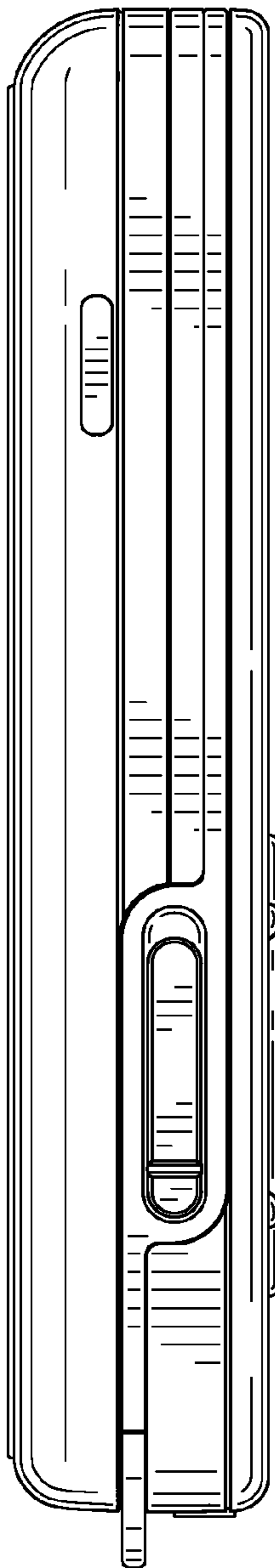


FIG. 14

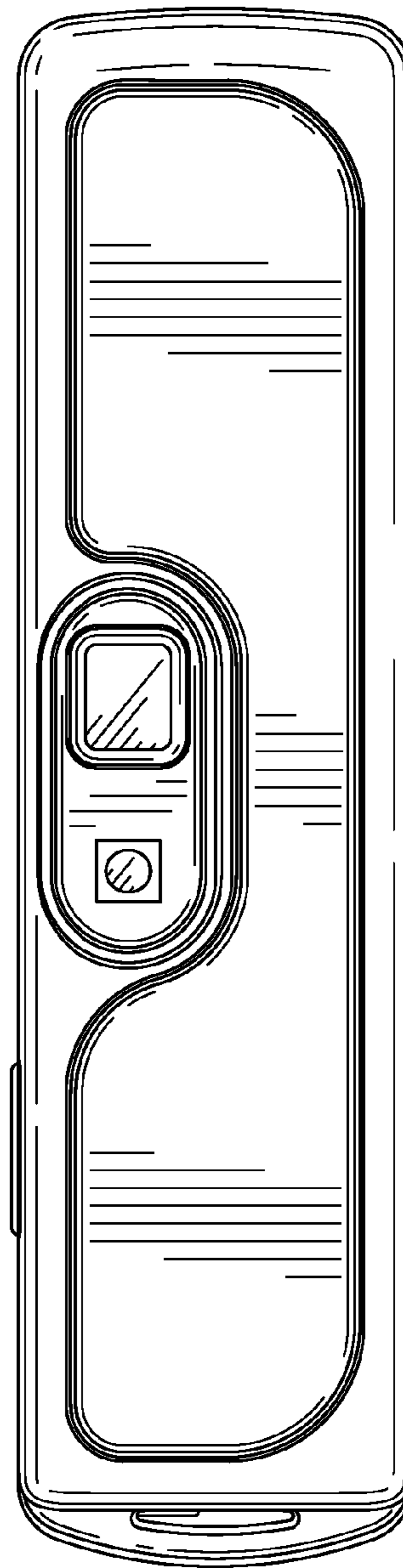


FIG. 16

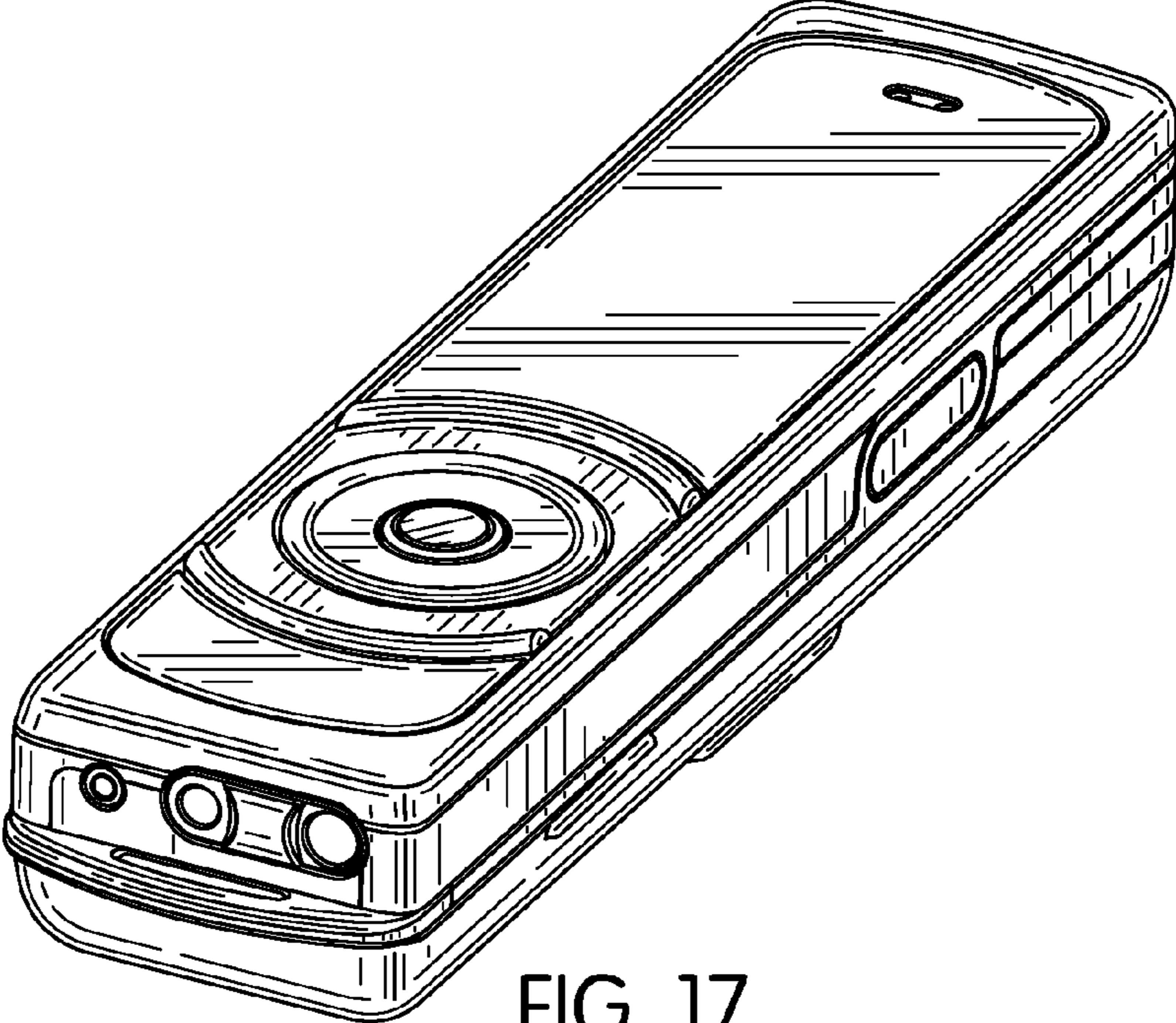


FIG. 17

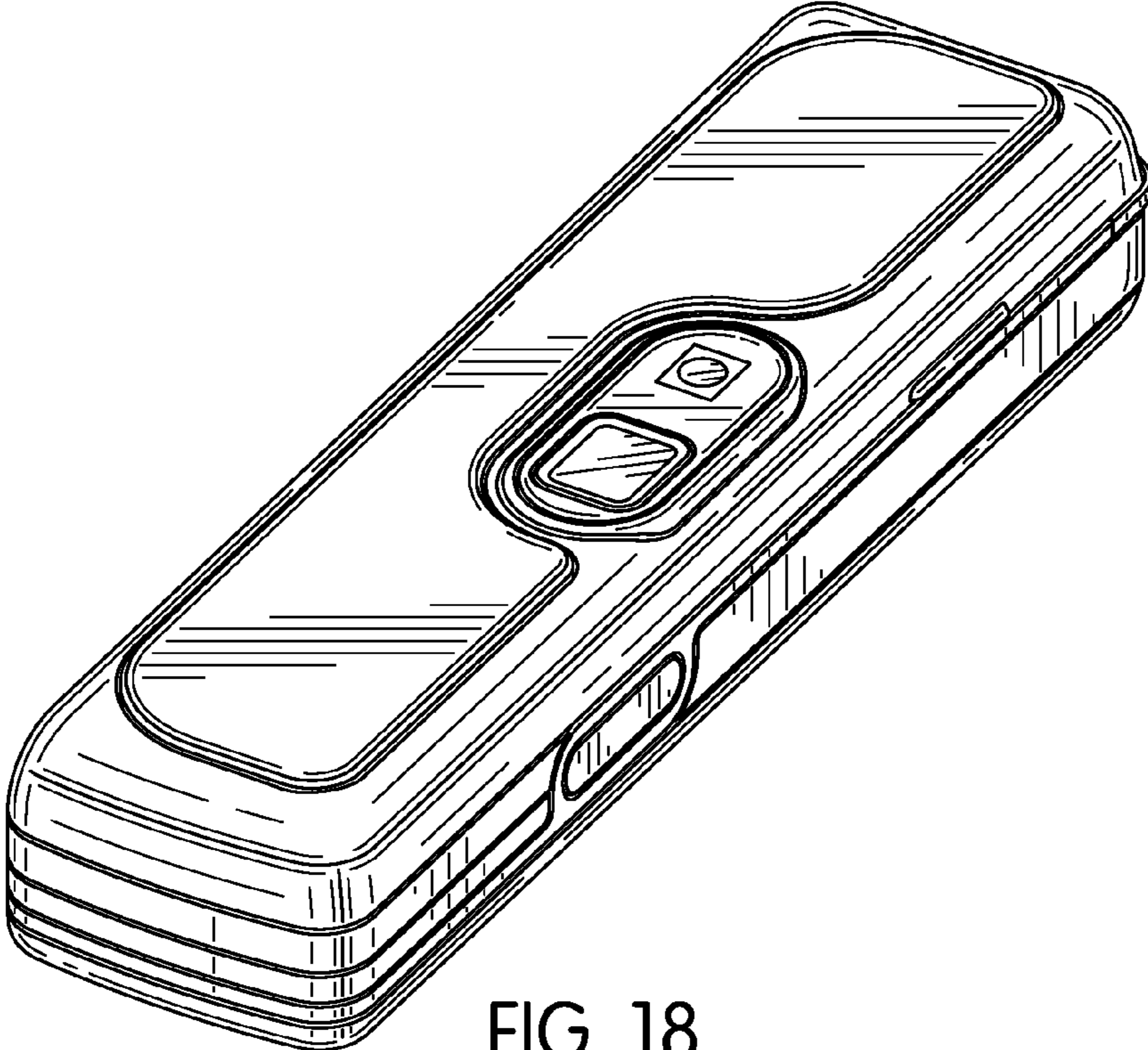


FIG. 18

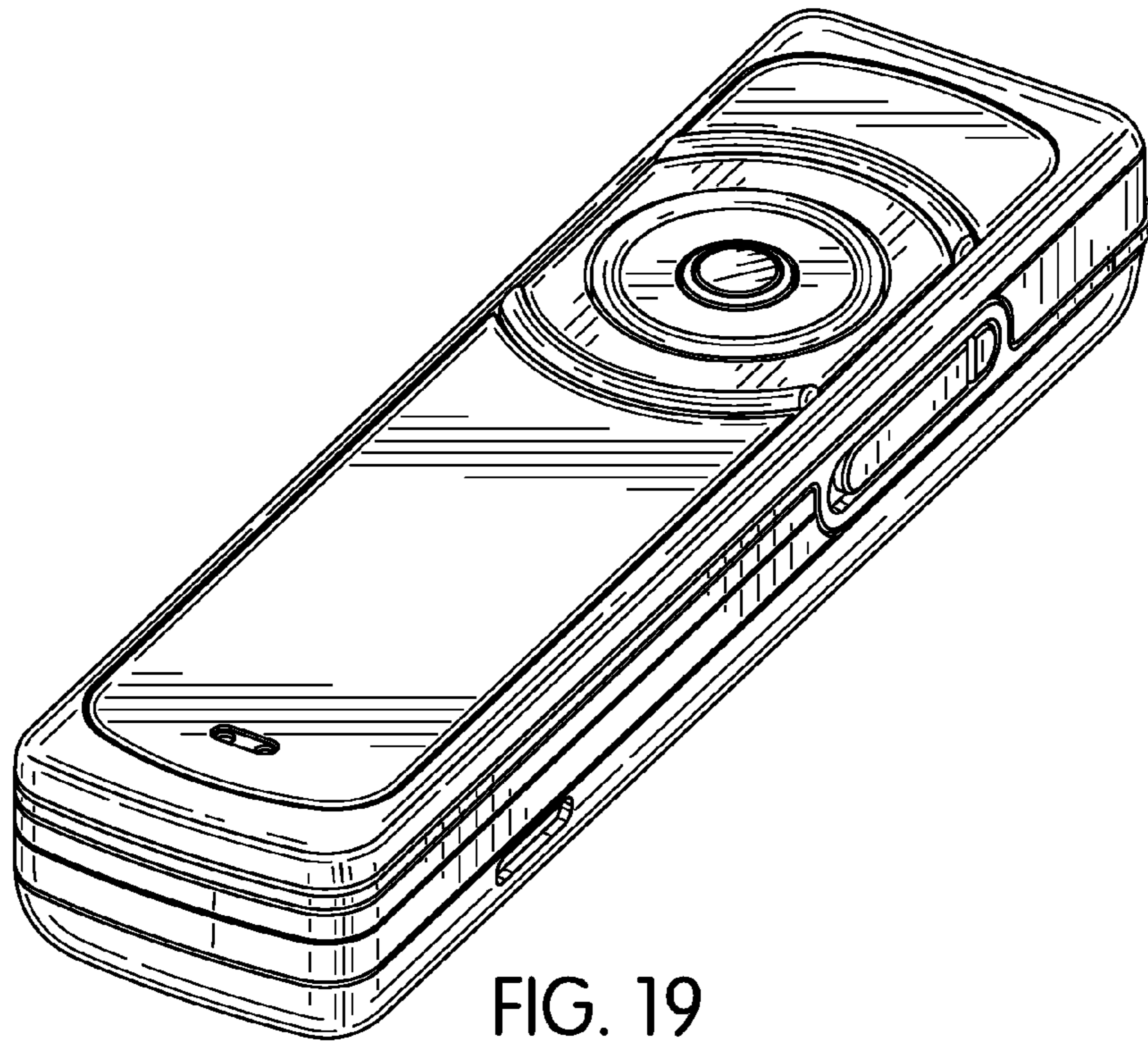


FIG. 19

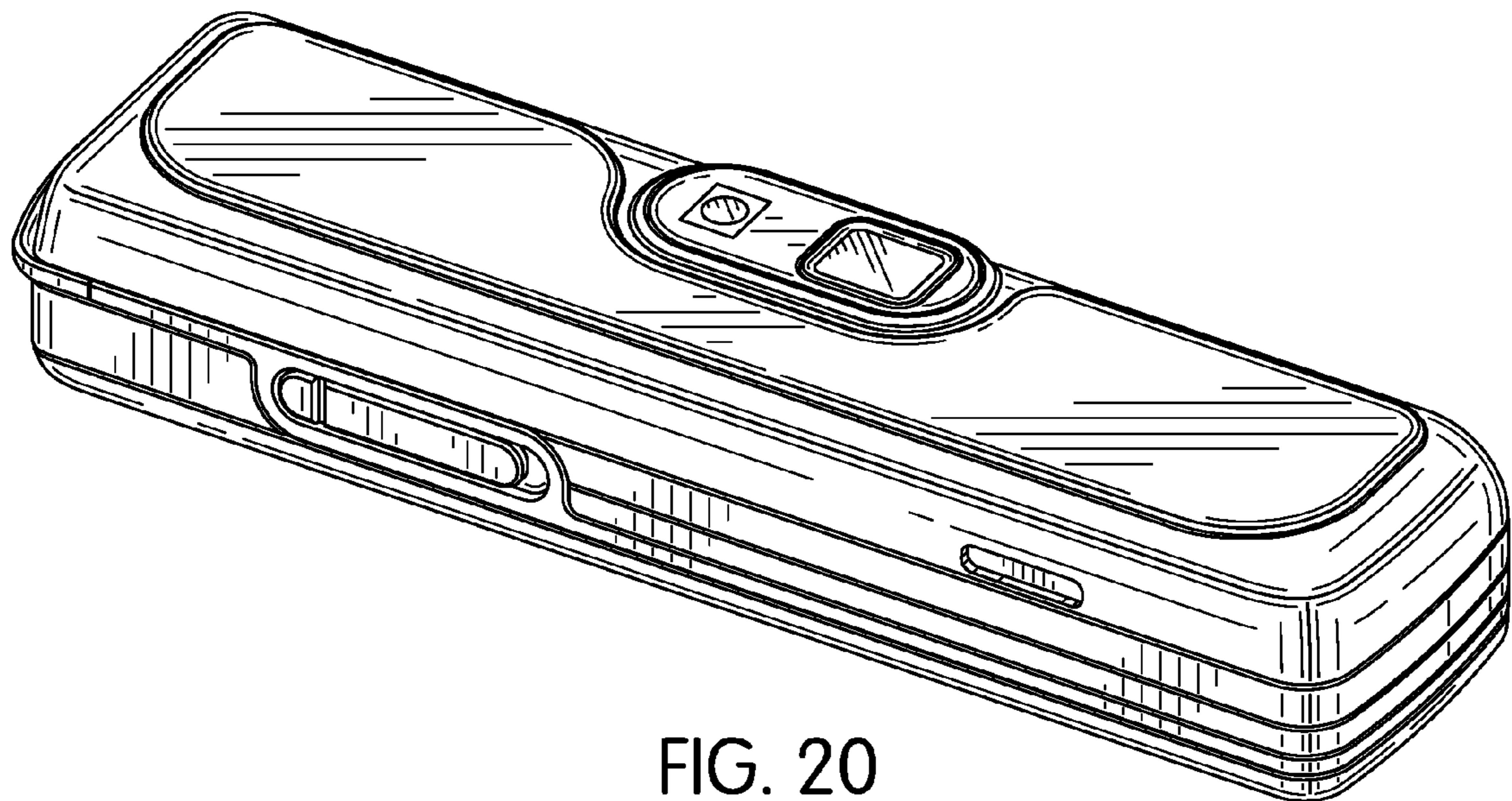


FIG. 20

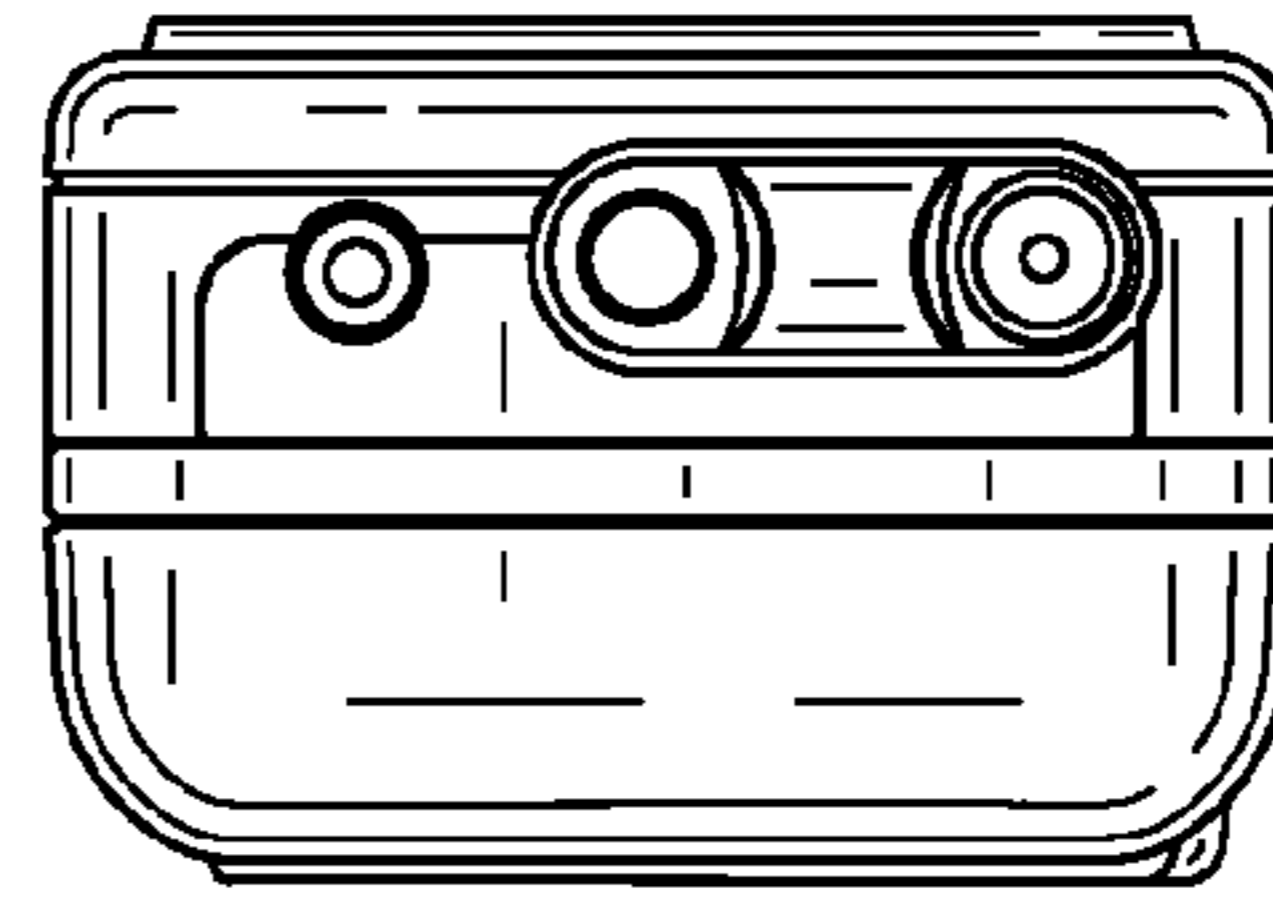


FIG. 21

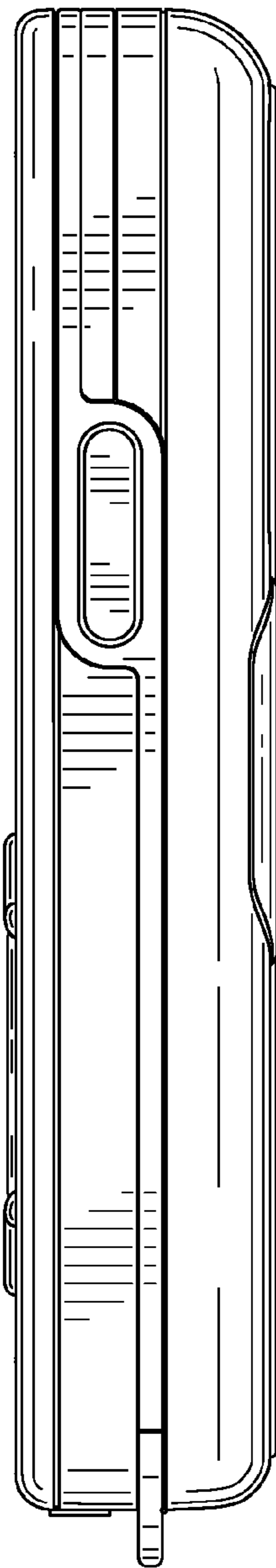


FIG. 22

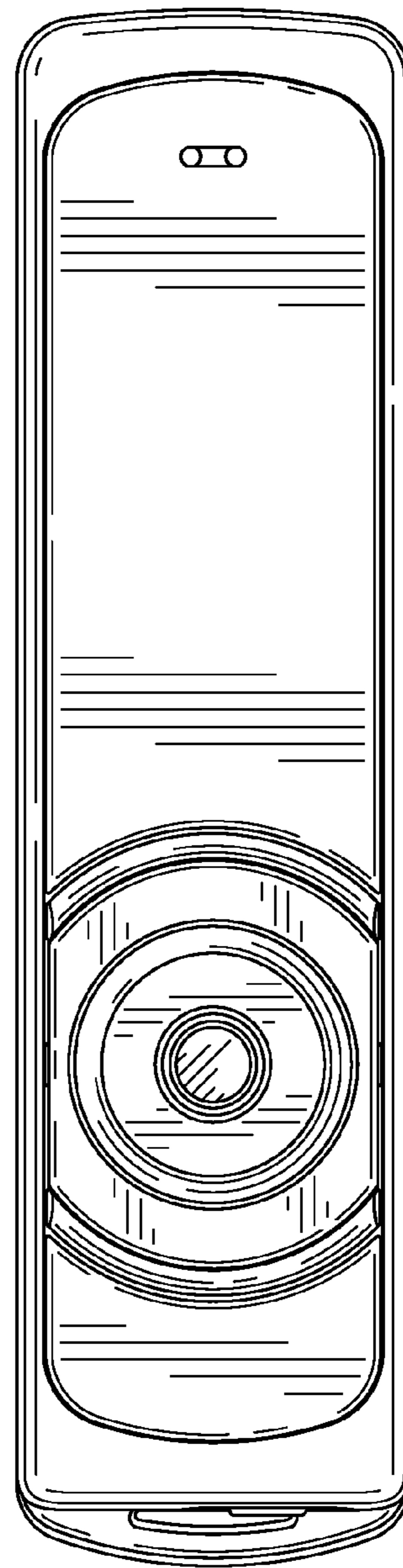


FIG. 23

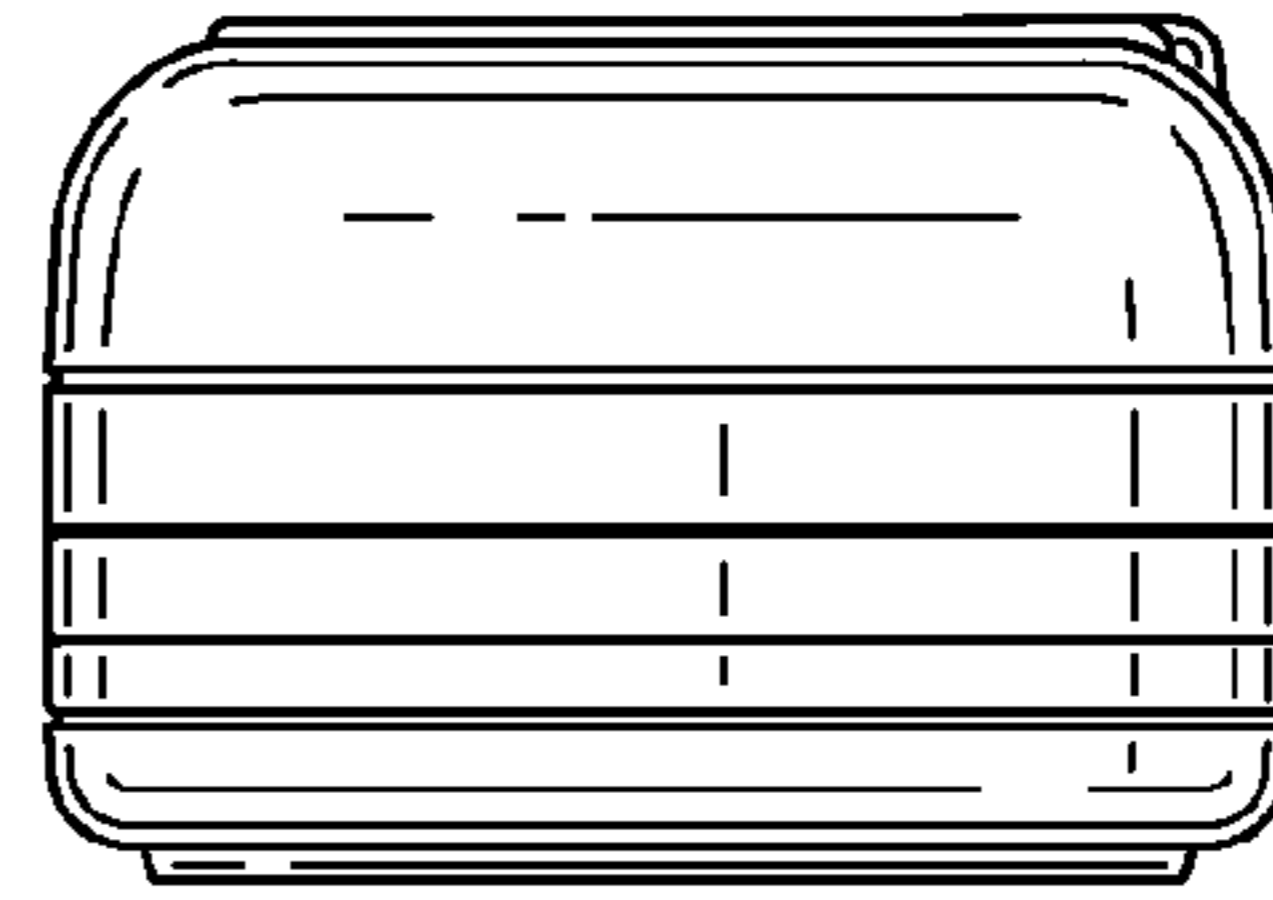


FIG. 25

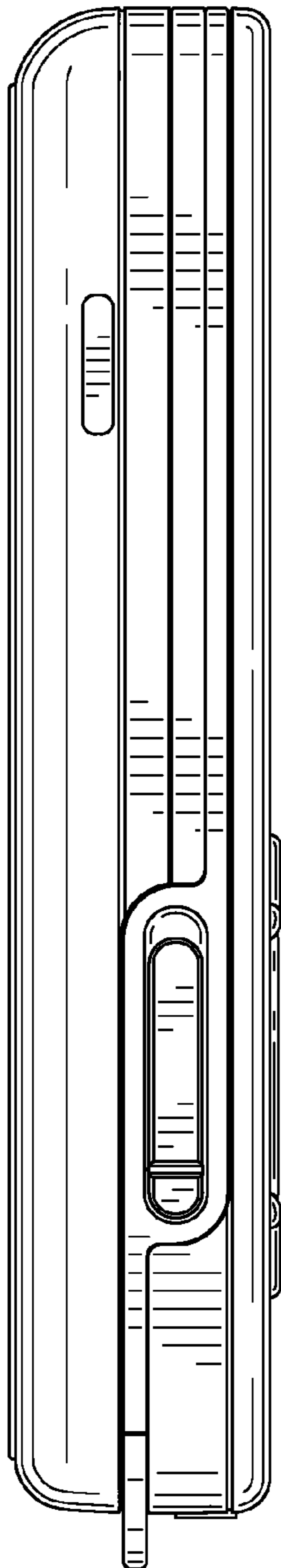


FIG. 24

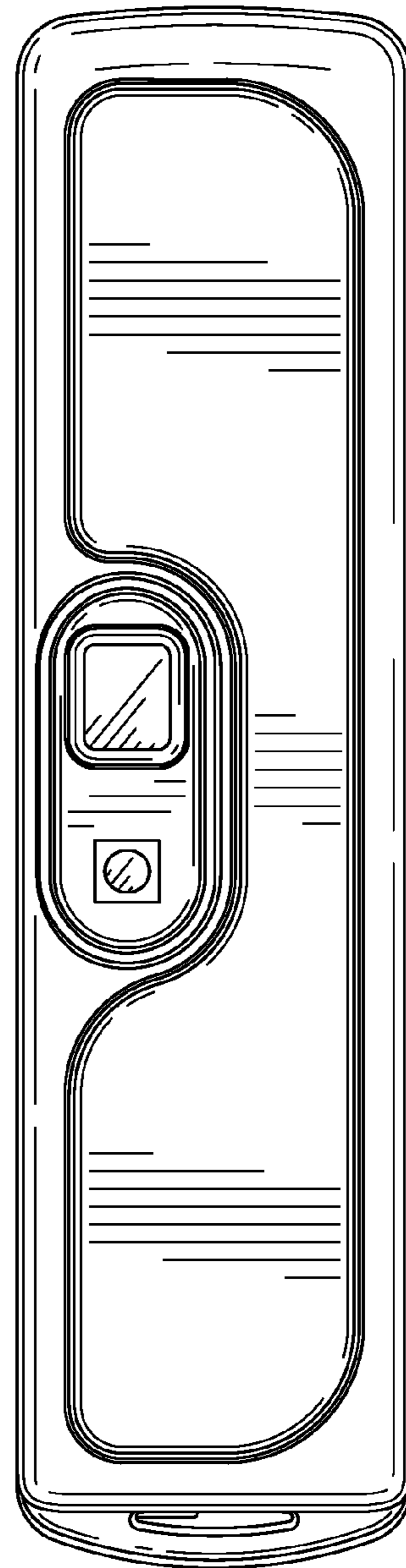


FIG. 26

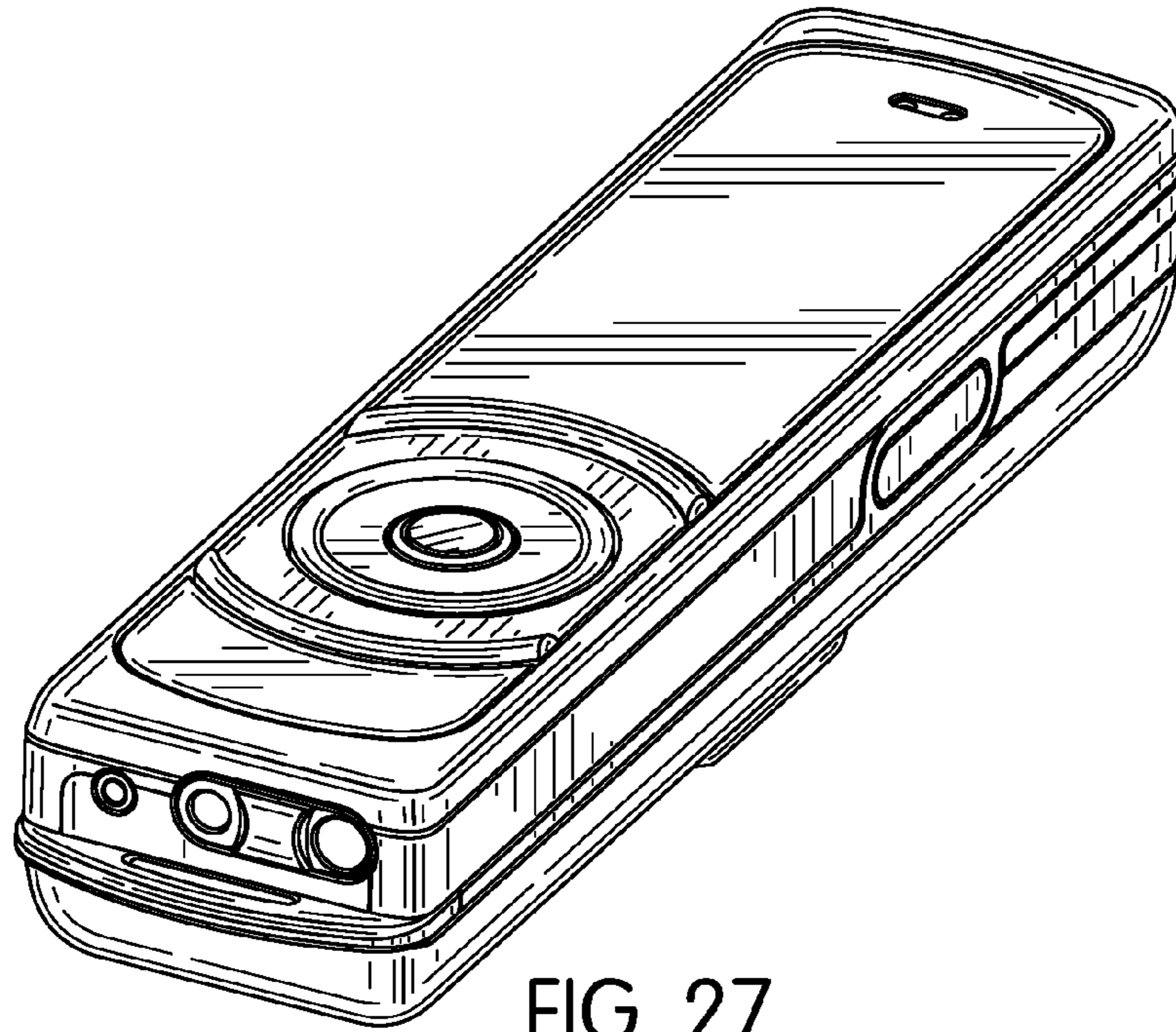


FIG. 27

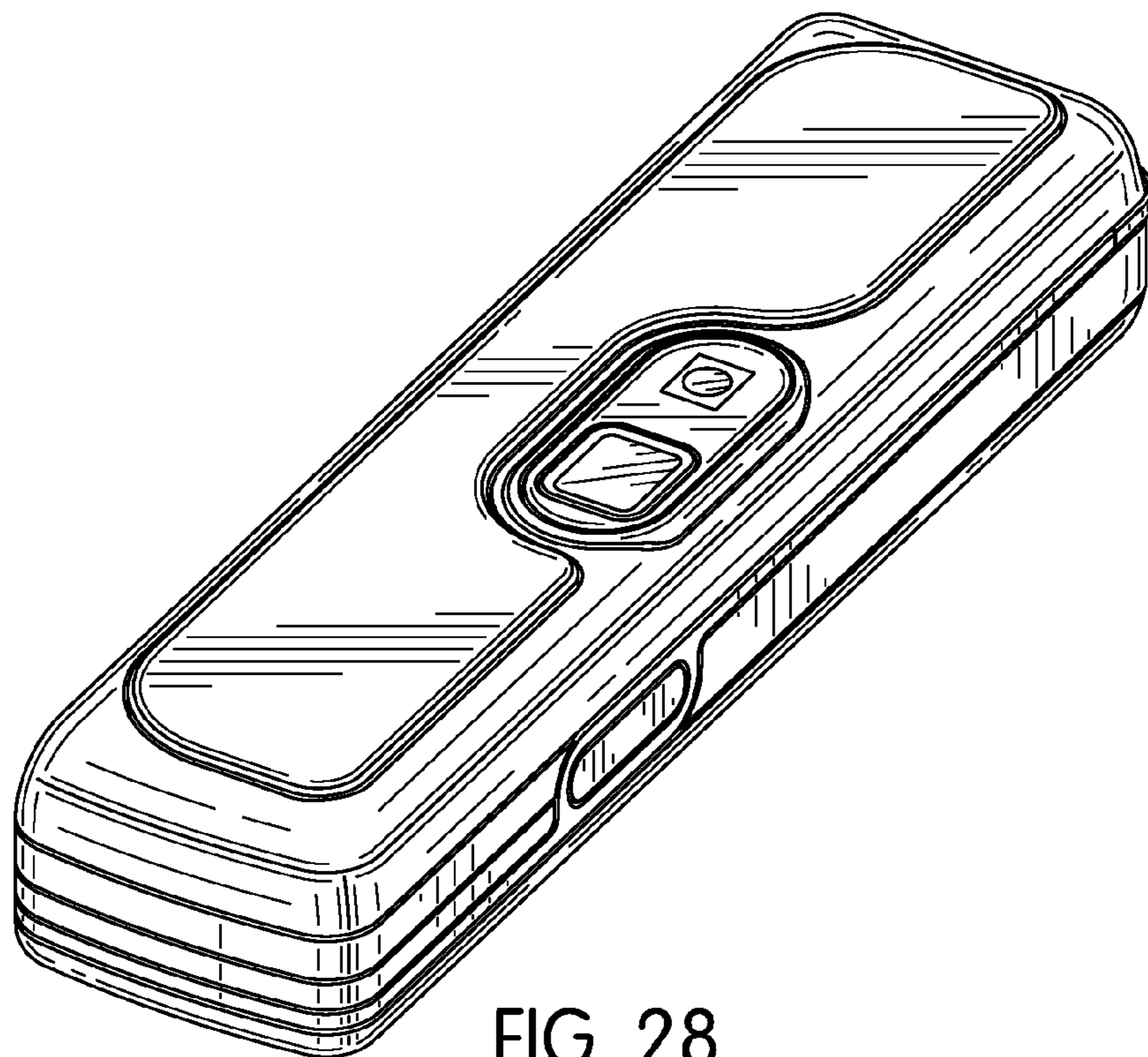


FIG. 28

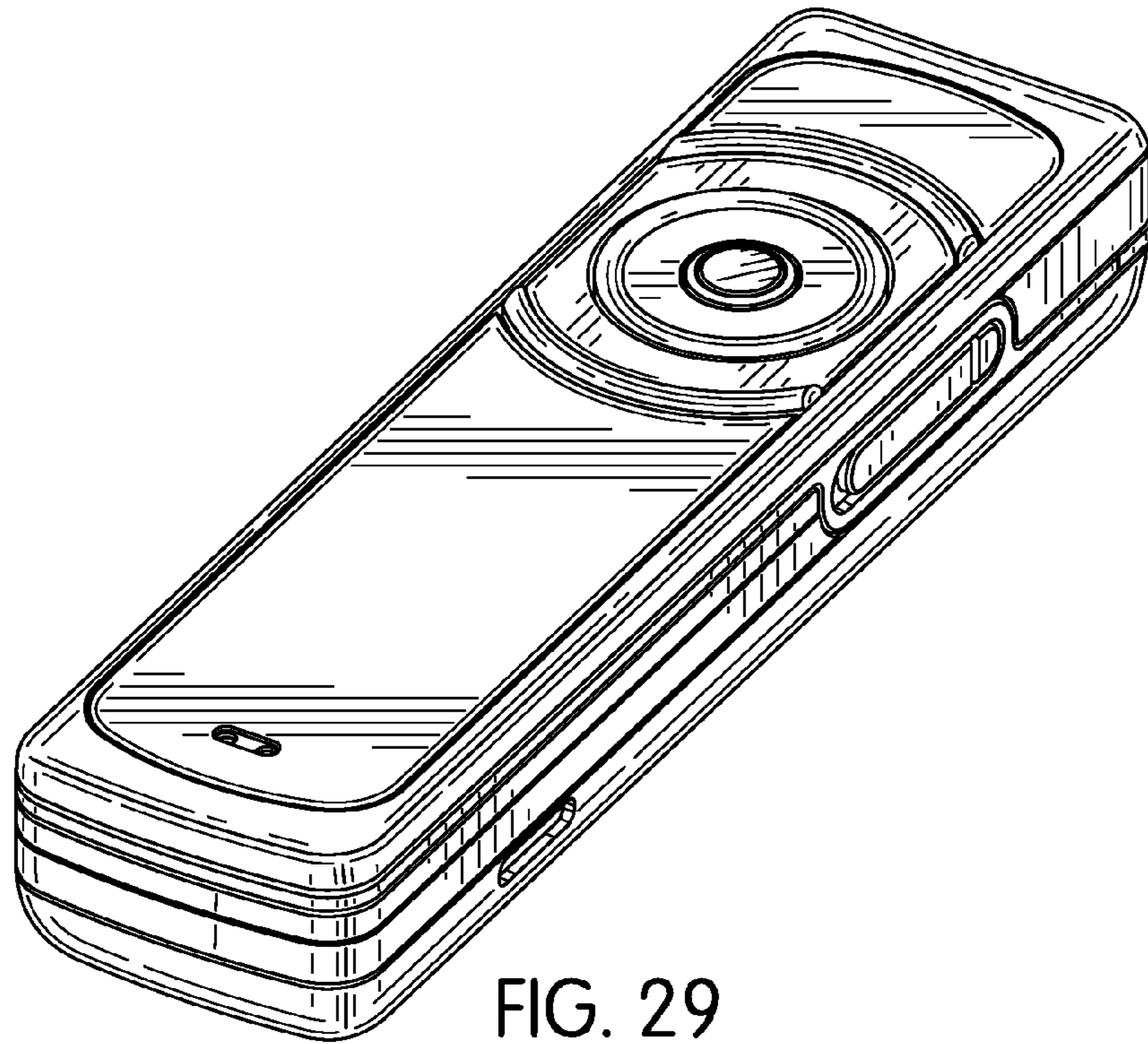


FIG. 29

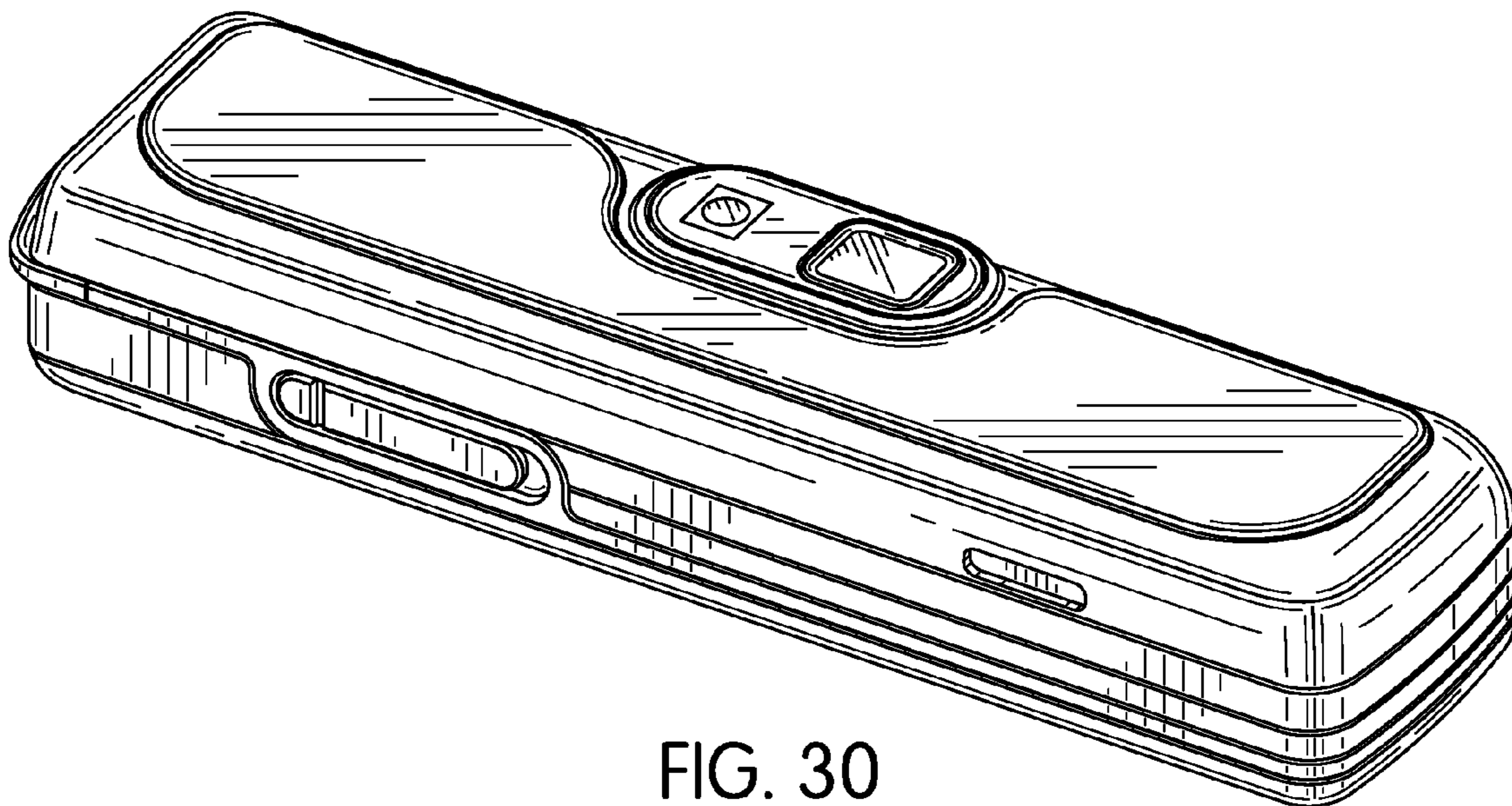


FIG. 30