



US00D555118S

(12) **United States Design Patent**
Wilson

(10) **Patent No.:** **US D555,118 S**

(45) **Date of Patent:** **** Nov. 13, 2007**

(54) **TELEVISION SET**

(75) Inventor: **Susan Wilson**, Bristol (GB)

(73) Assignee: **Hannspree, Inc.**, Taipei (TW)

(**) Term: **14 Years**

(21) Appl. No.: **29/242,510**

(22) Filed: **Nov. 10, 2005**

(30) **Foreign Application Priority Data**

Aug. 26, 2005 (TW) 94305153

(51) **LOC (8) Cl.** **14-03**

(52) **U.S. Cl.** **D14/126; D14/132; D3/274**

(58) **Field of Classification Search** D14/125-134,
D14/239, 371, 136, 374-377; 312/7.2; 348/836,
348/838, 180, 184, 325, 739; 341/12; 248/917-924,
248/465; 345/104, 133, 156, 168, 87, 173;
720/605, 669, 600, 655; 369/99, 197; 455/344-347
See application file for complete search history.

(56) **References Cited**

U.S. PATENT DOCUMENTS

D396,554 S * 8/1998 Roeder D3/243
D429,562 S * 8/2000 Lau D3/243
D430,117 S * 8/2000 Sachs et al. D14/345

D449,606 S * 10/2001 Lee et al. D14/345
D480,083 S * 9/2003 Borsboom et al. D14/371
D496,662 S * 9/2004 Borsboom D14/371
D504,230 S * 4/2005 Thomas D3/243
D526,974 S * 8/2006 Reza et al. D14/126
D529,461 S * 10/2006 Wilson D14/126
D542,248 S * 5/2007 Reza et al. D14/132

* cited by examiner

Primary Examiner—Raphael Barkai

(74) *Attorney, Agent, or Firm*—Thomas, Kayden,
Horstemeyer & Risley

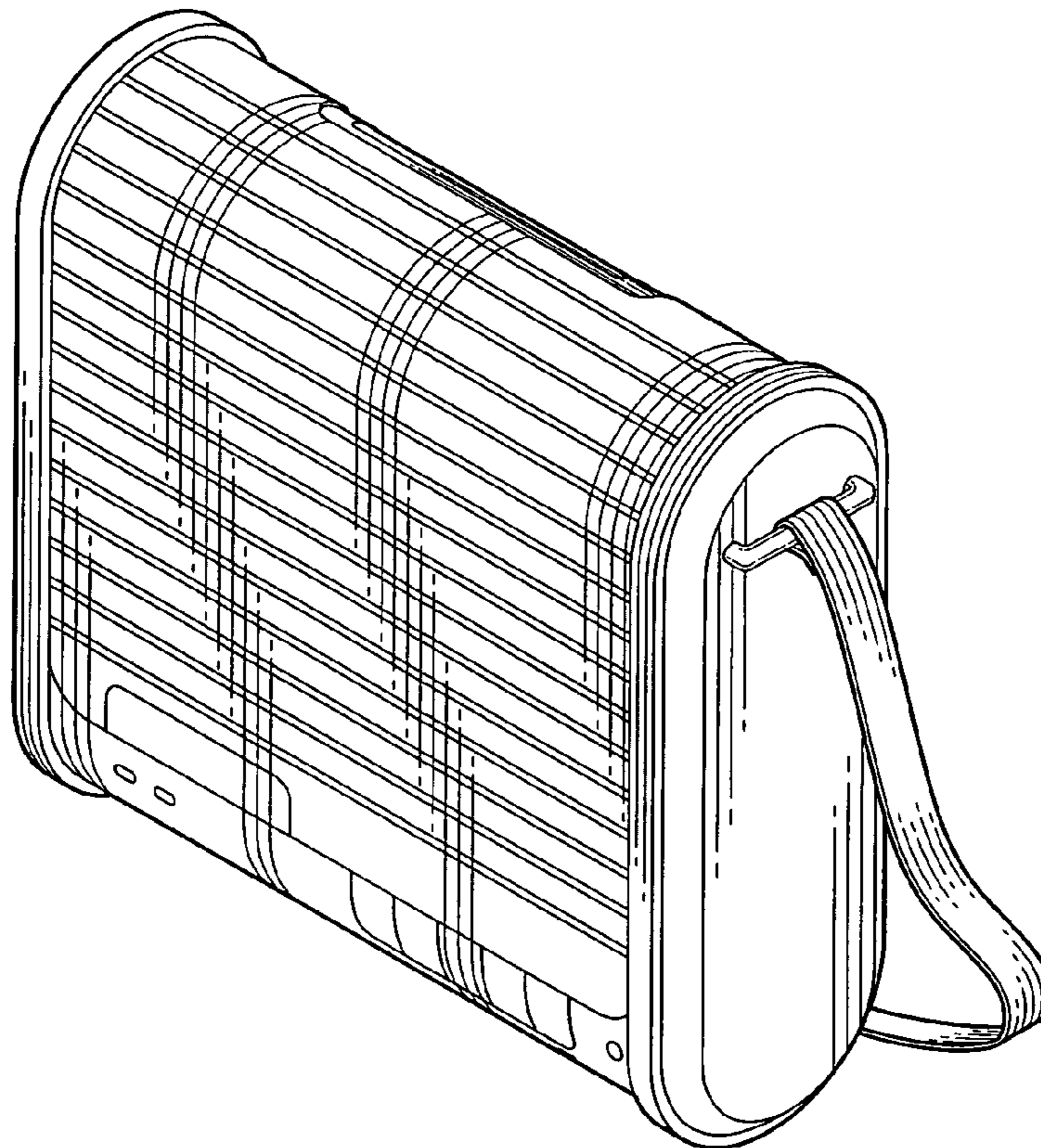
(57) **CLAIM**

The ornamental design for a television set, as shown and described.

DESCRIPTION

FIG. 1 is a front perspective view thereof;
FIG. 2 is a front elevational view thereof;
FIG. 3 is a rear elevational view thereof;
FIG. 4 is a left side elevational view thereof;
FIG. 5 is a right side elevational view thereof;
FIG. 6 is a top plane view thereof; and,
FIG. 7 is a bottom plane view thereof.

1 Claim, 7 Drawing Sheets



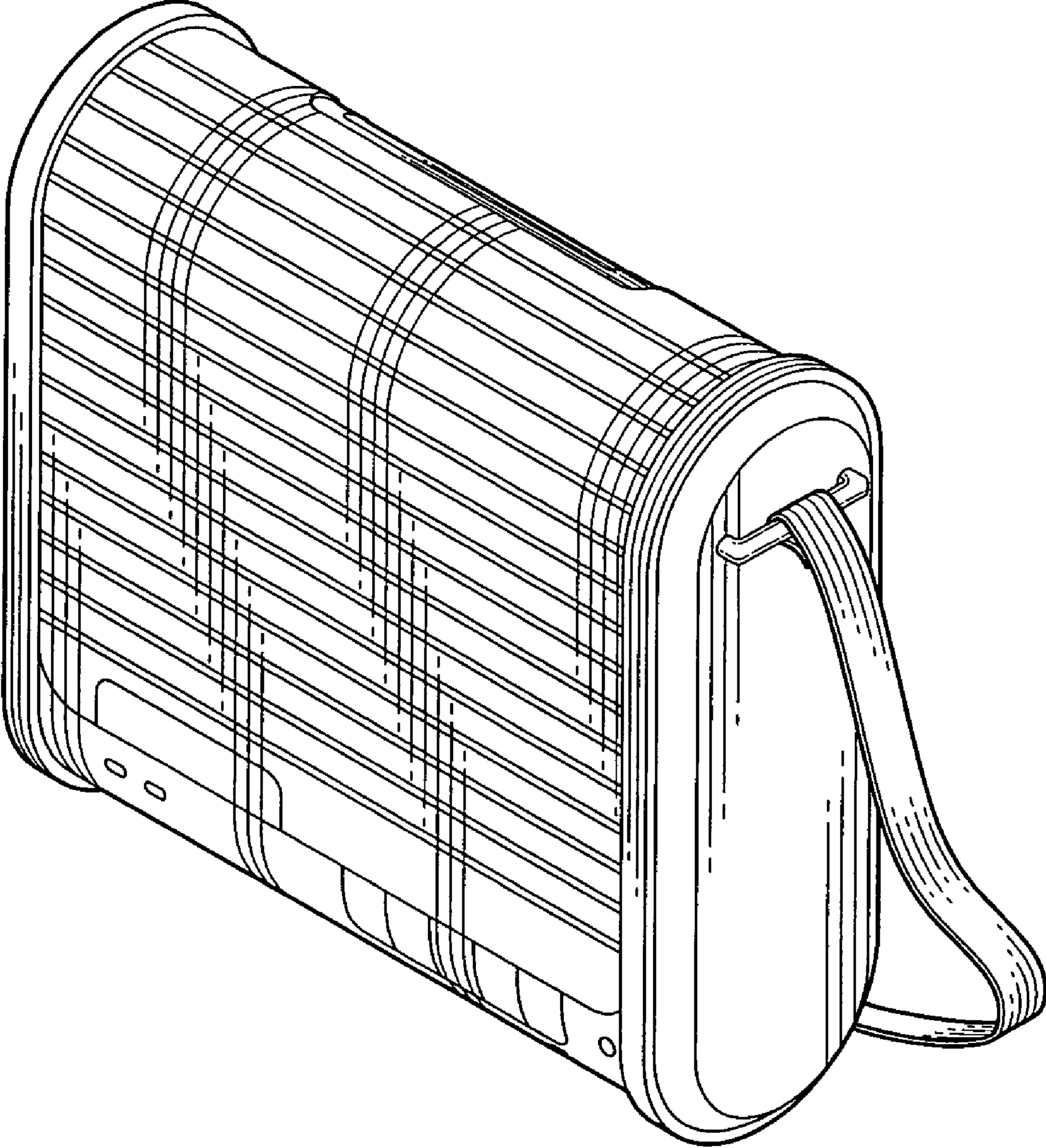


FIG. 1

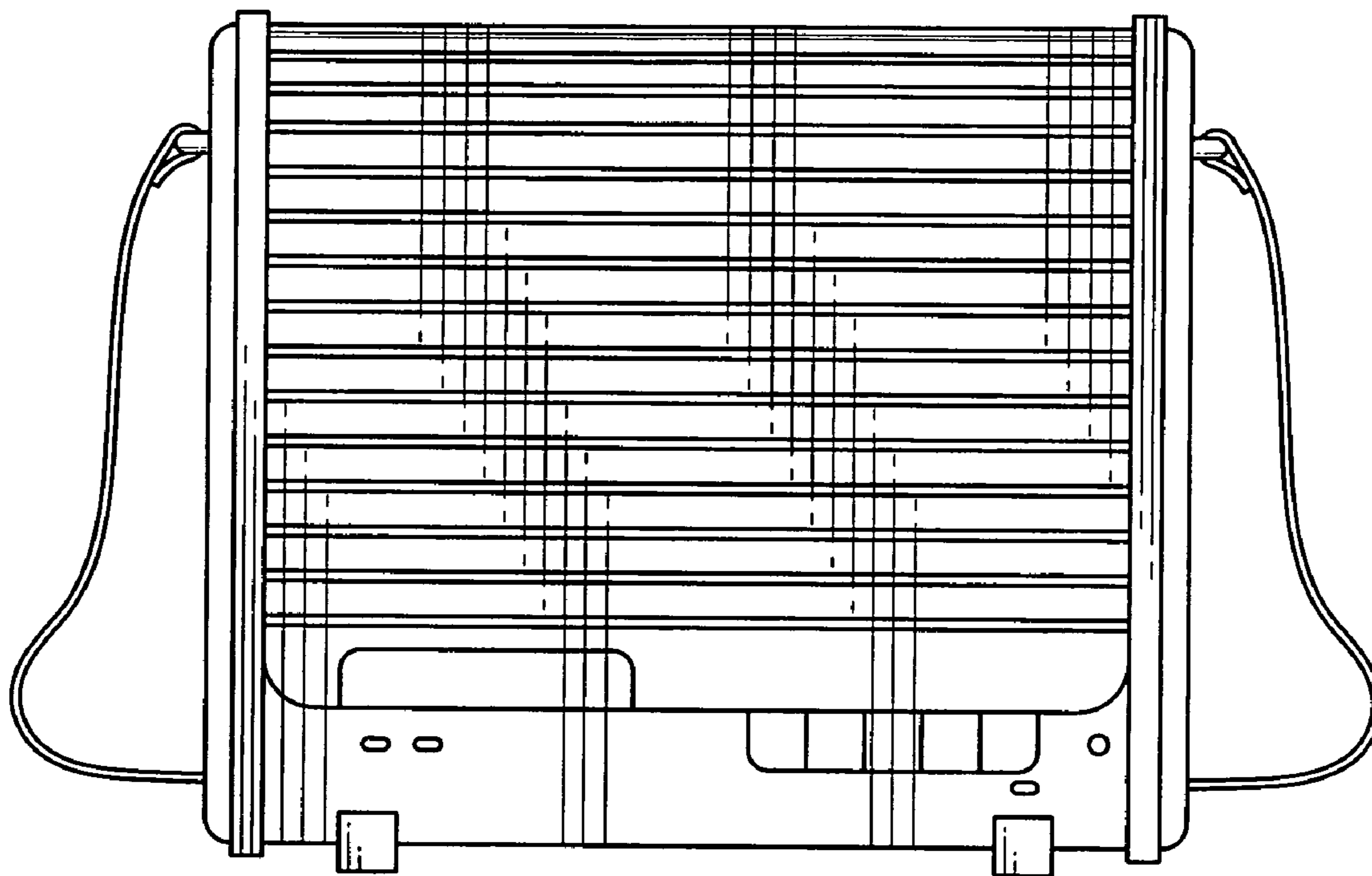


FIG. 2

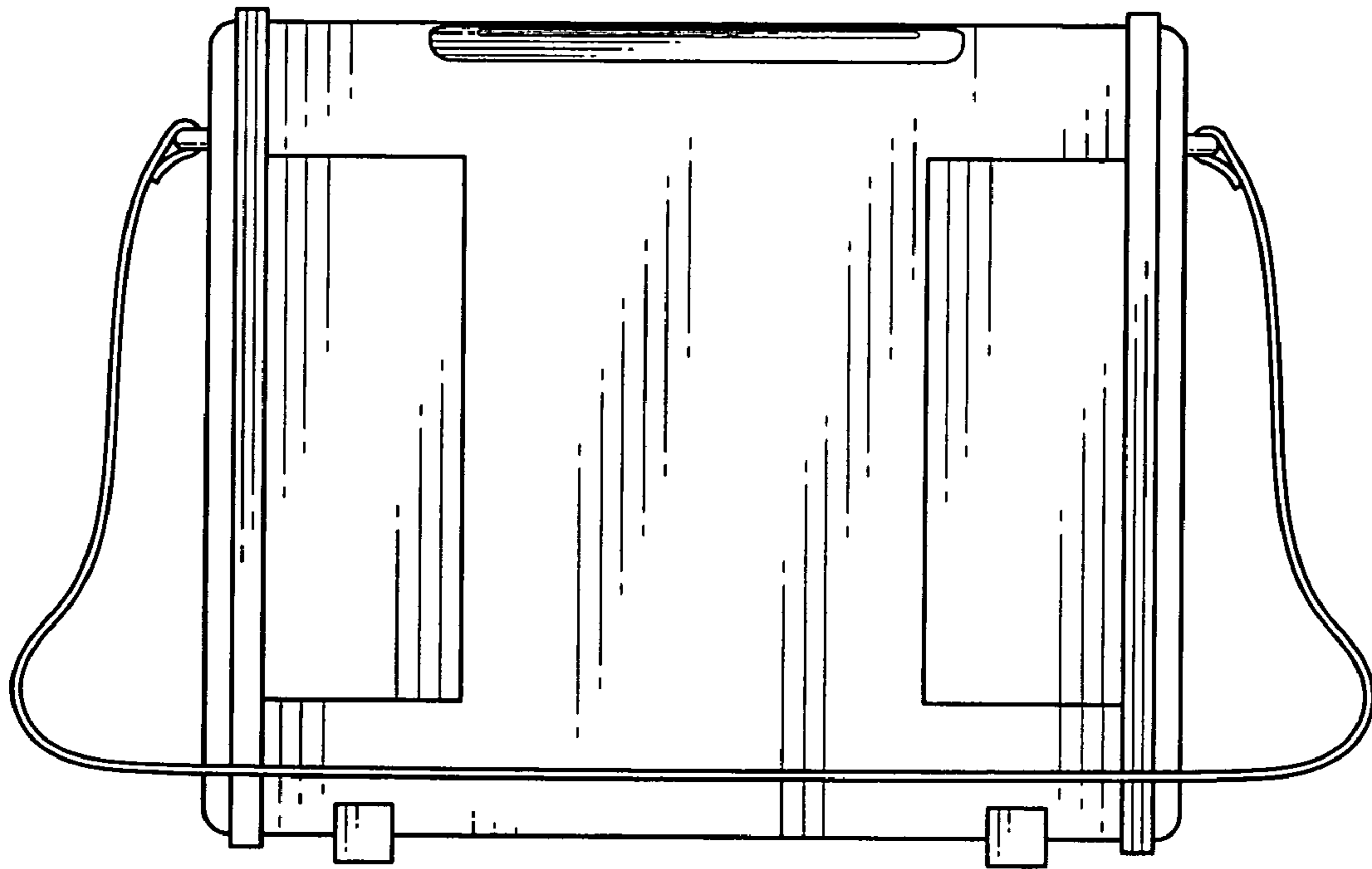


FIG. 3

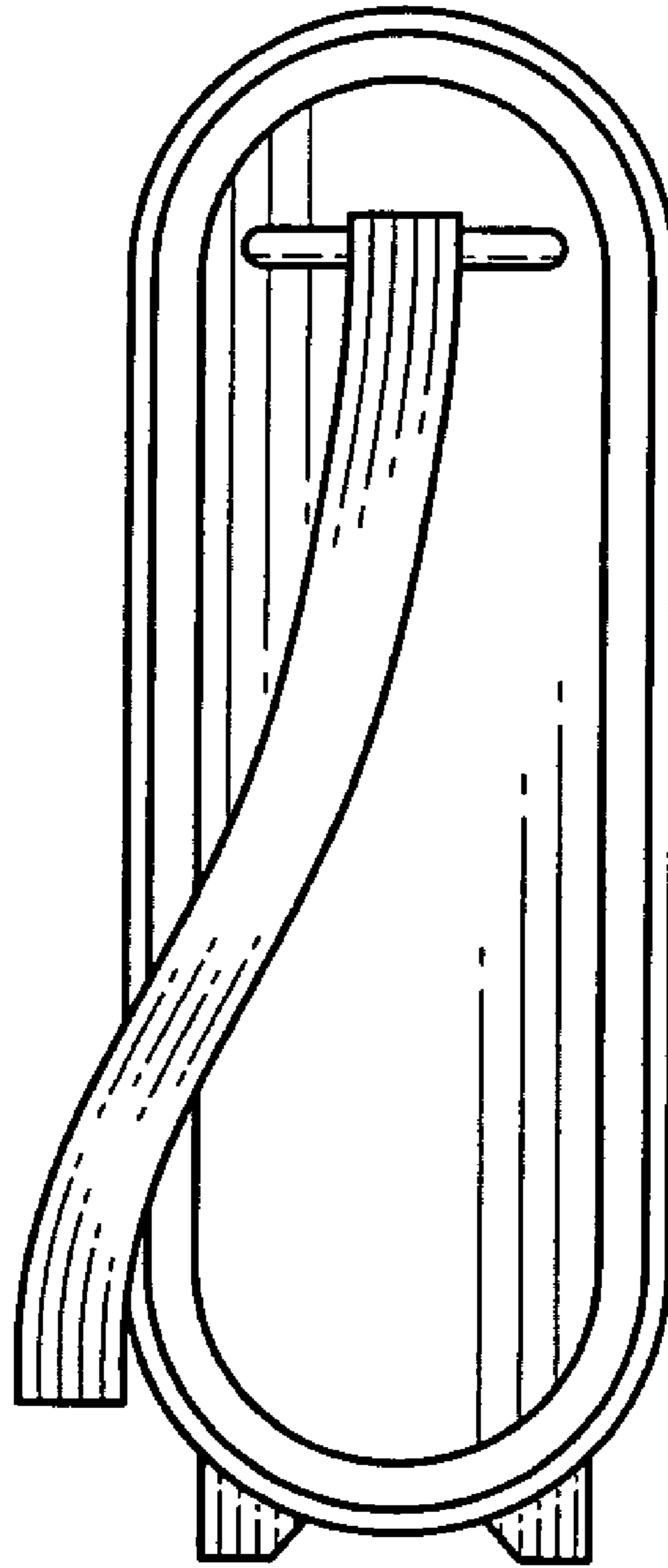


FIG. 4

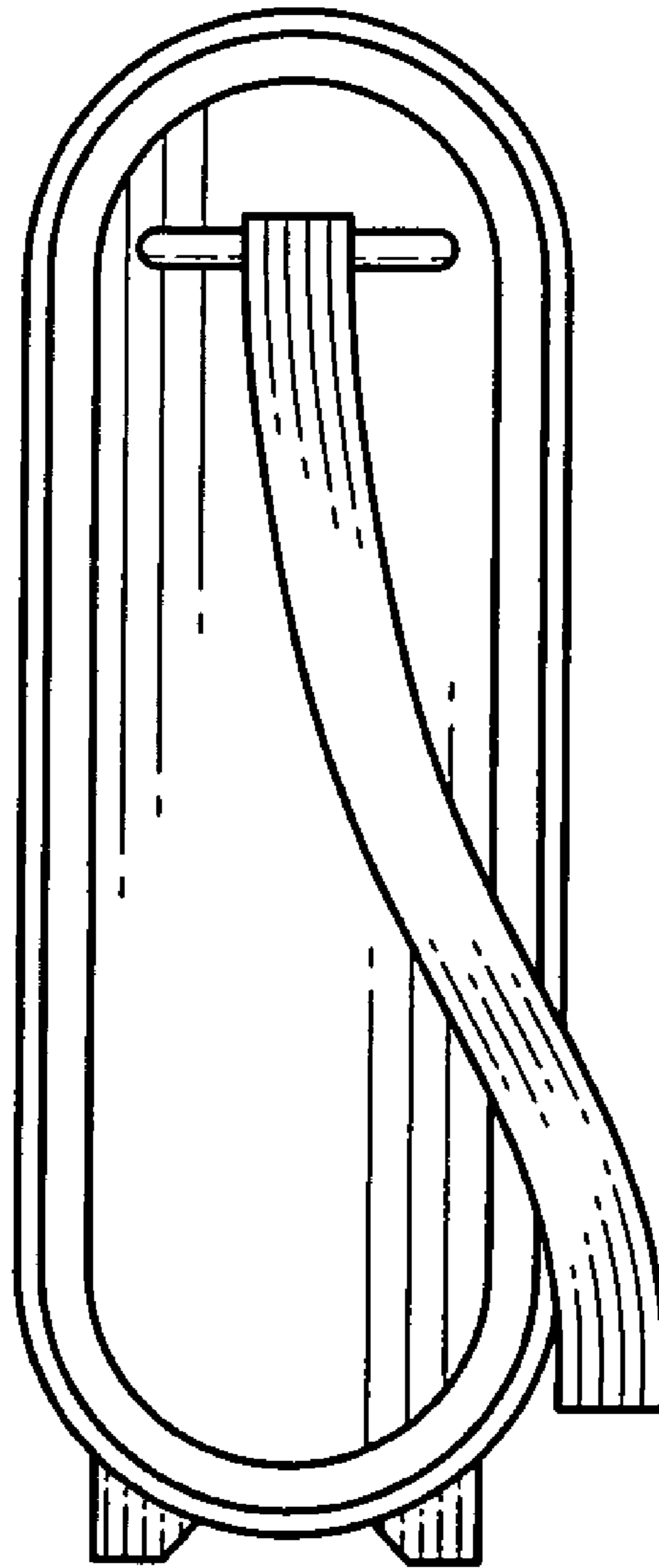


FIG. 5

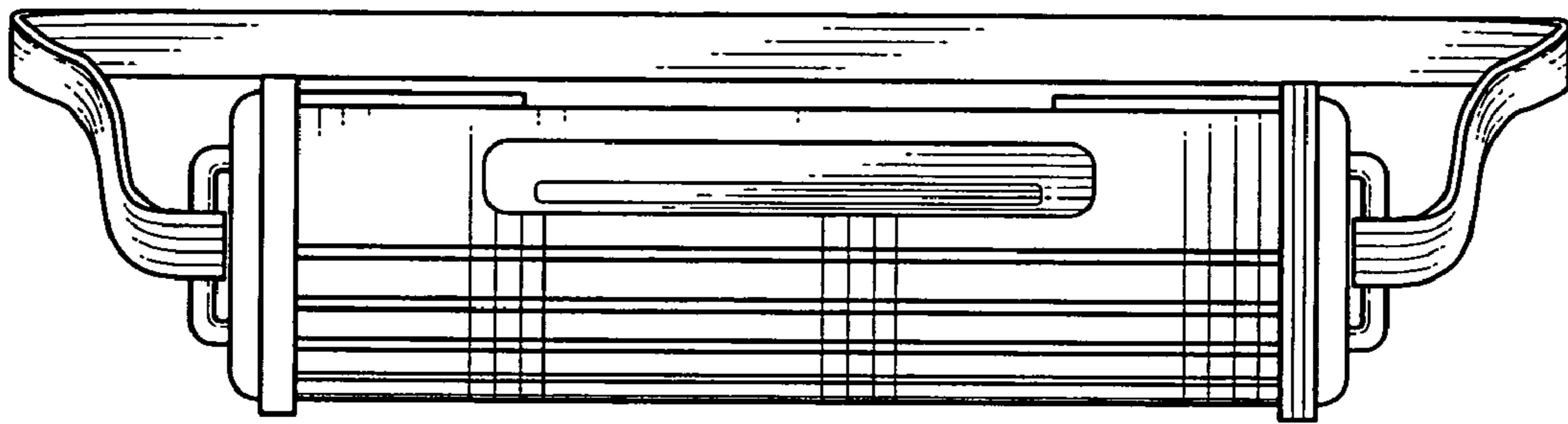


FIG. 6

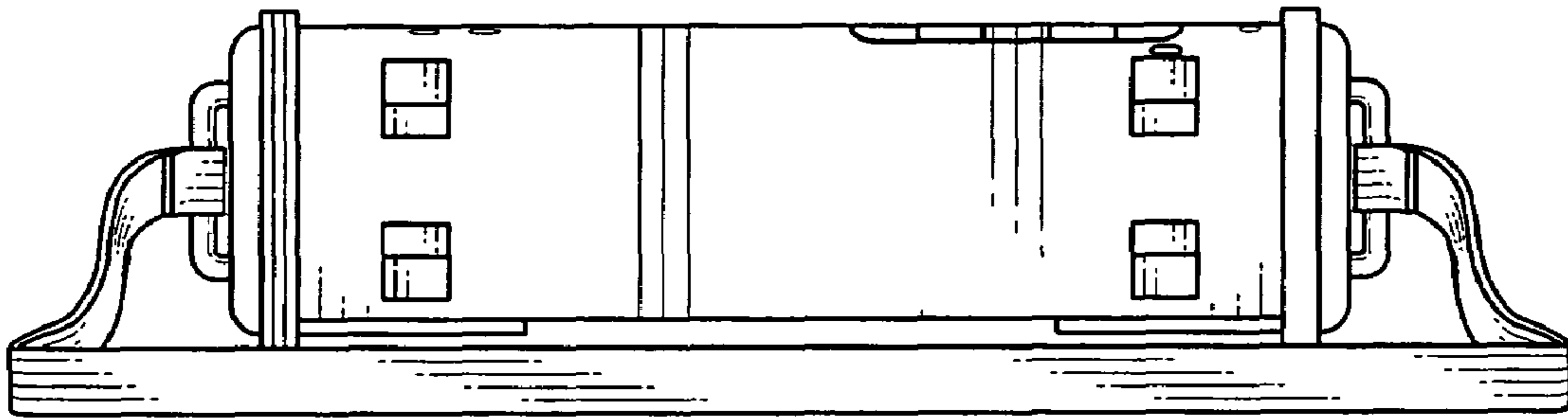


FIG. 7