



US00D555116S

(12) **United States Design Patent**
Schlegel

(10) **Patent No.:** **US D555,116 S**

(45) **Date of Patent:** **** Nov. 13, 2007**

(54) **PROTECTIVE ENCLOSURE APPARATUS
TEMPORARILY ATTACHABLE TO A
UTILITY POLE BASE**

(75) **Inventor:** **Robert R. Schlegel**, Cranbury, NJ (US)

(73) **Assignee:** **PenCell Plastics, Inc.**, New Egypt, NJ (US)

(**) **Term:** **14 Years**

(21) **Appl. No.:** **29/267,192**

(22) **Filed:** **Oct. 6, 2006**

(51) **LOC (8) Cl.** **13-03**

(52) **U.S. Cl.** **D13/184**

(58) **Field of Classification Search** D13/184,
D13/133, 152, 162, 162.1, 163, 177, 199,
D13/145, 139.5, 139.4, 139.3; D14/331-337,
D14/371, 217, 391-400, 388, 125-129, 306,
D14/299, 199; D6/432; 174/50; 248/218.4;
D26/51; 631/622, 660, 823; D8/349
See application file for complete search history.

(56) **References Cited**

U.S. PATENT DOCUMENTS

D137,609 S *	4/1944	Christie	D13/184
D192,744 S *	5/1962	Kapusta	D26/51
3,286,133 A *	11/1966	Sturdivan	361/660
3,365,535 A *	1/1968	Wilk	174/50
4,365,723 A *	12/1982	Palermo et al.	220/3.8
D272,304 S *	1/1984	Palermo et al.	D6/432

D284,243 S *	6/1986	Barber	D6/432
4,721,056 A *	1/1988	Steeley	116/209
6,024,236 A *	2/2000	Jannot et al.	220/4.02
6,129,225 A *	10/2000	Giannoglou et al.	212/179
D456,175 S *	4/2002	Golembeski et al.	D6/446
2006/0231279 A1 *	10/2006	Burke et al.	174/50

* cited by examiner

Primary Examiner—Lou Zarfaz

Assistant Examiner—Anna K Dworzecka

(74) *Attorney, Agent, or Firm*—Sperry, Zoda & Kane

(57) **CLAIM**

The ornamental design for a protective enclosure apparatus temporarily attachable to a utility pole base, as shown and described.

DESCRIPTION

FIG. 1 is an exploded front perspective view of a protective enclosure apparatus temporarily attachable to a utility pole base showing my new design;

FIG. 2 is a front perspective view thereof;

FIG. 3 is a left side elevational view thereof;

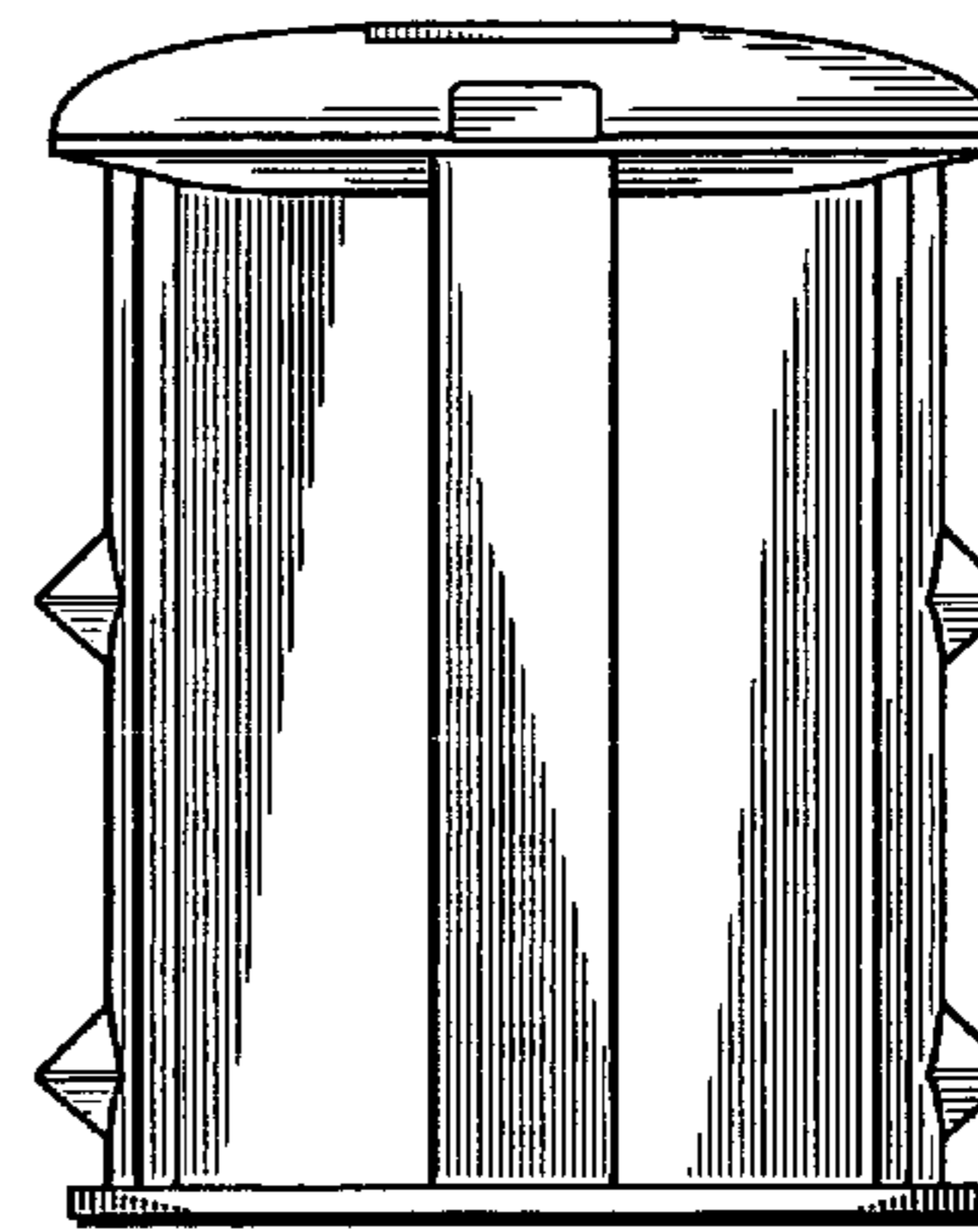
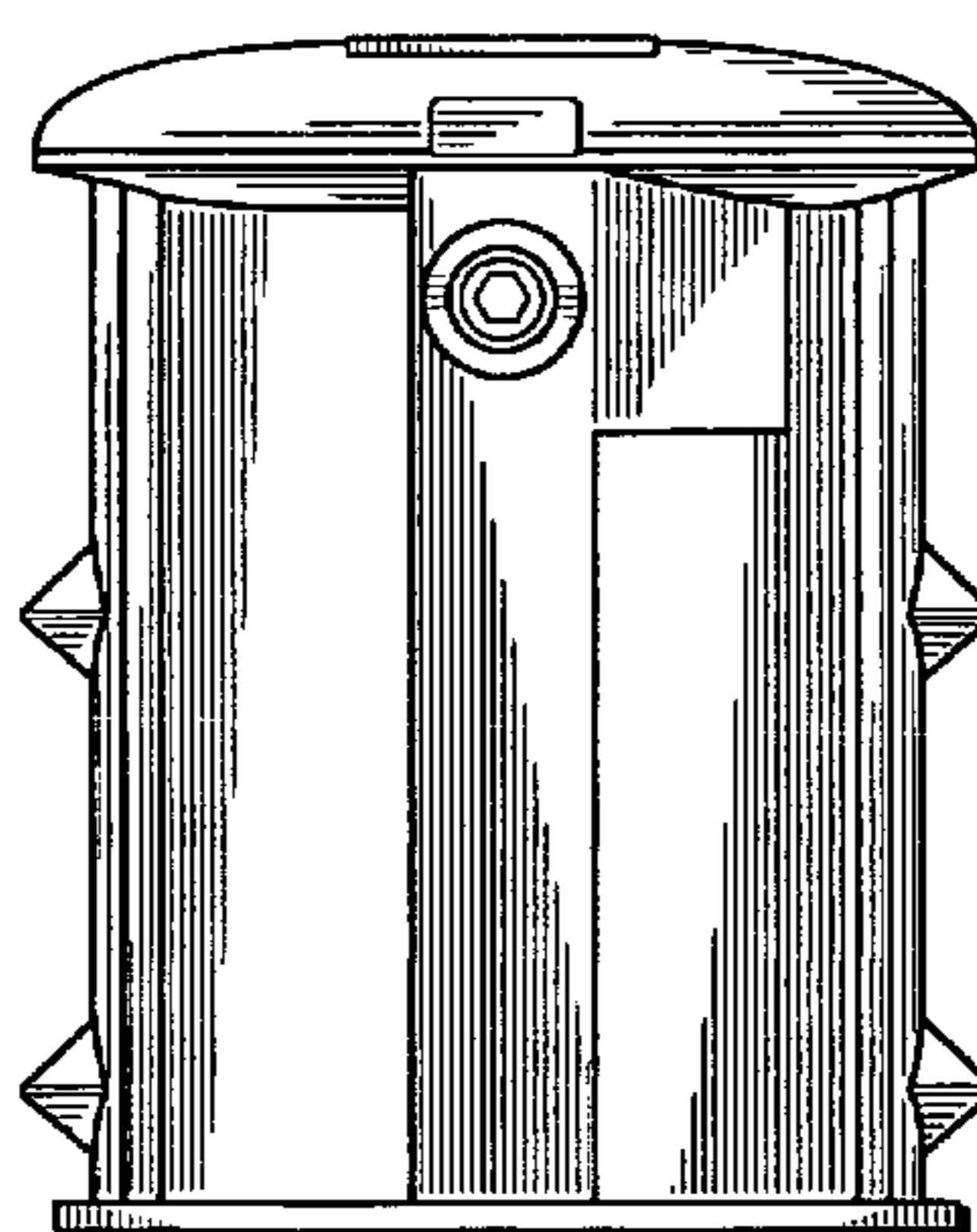
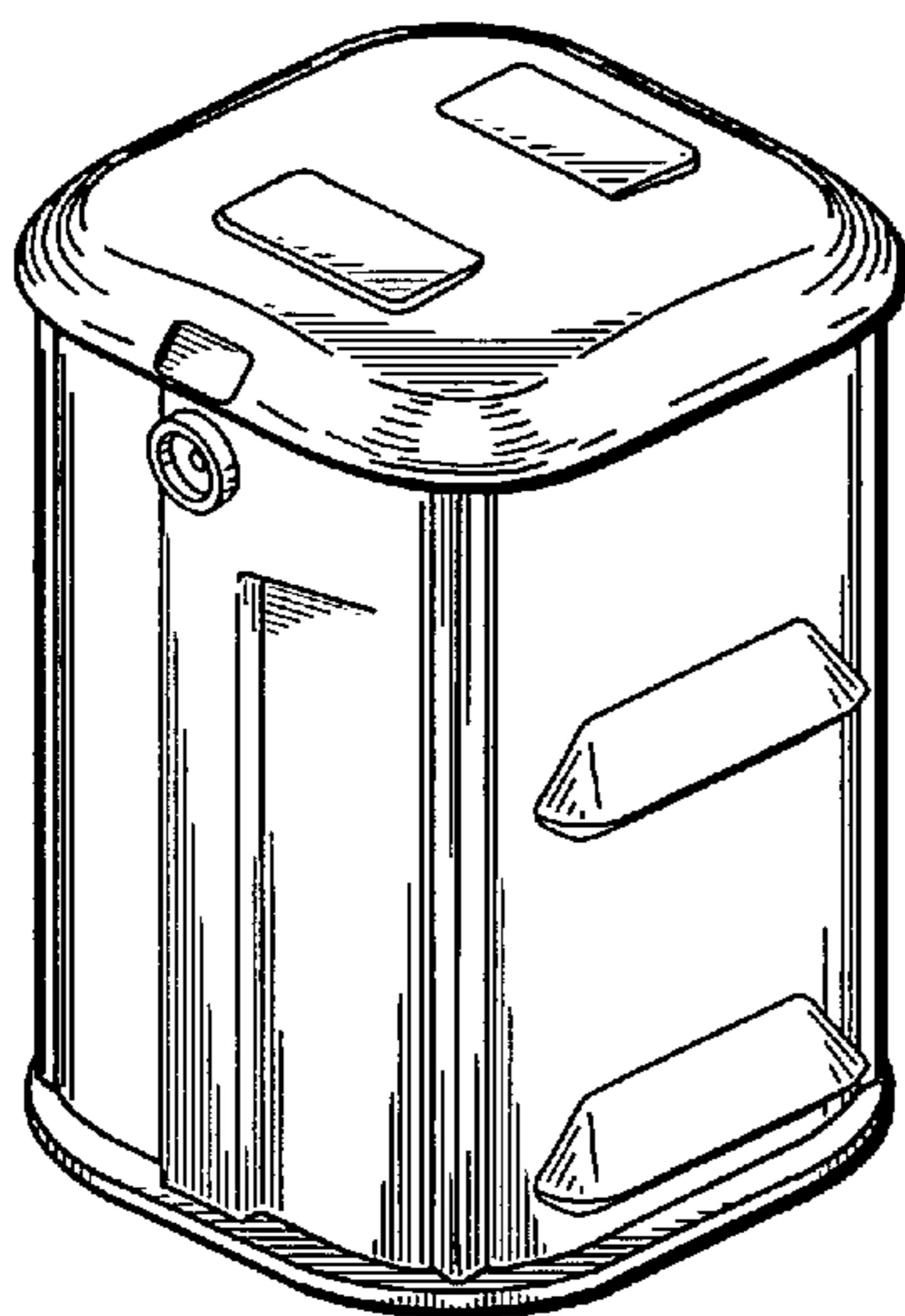
FIG. 4 is a right side elevational view thereof;

FIG. 5 is a rear view thereof;

FIG. 6 is a top plan view thereof; and,

FIG. 7 is a bottom plan view thereof.

1 Claim, 3 Drawing Sheets



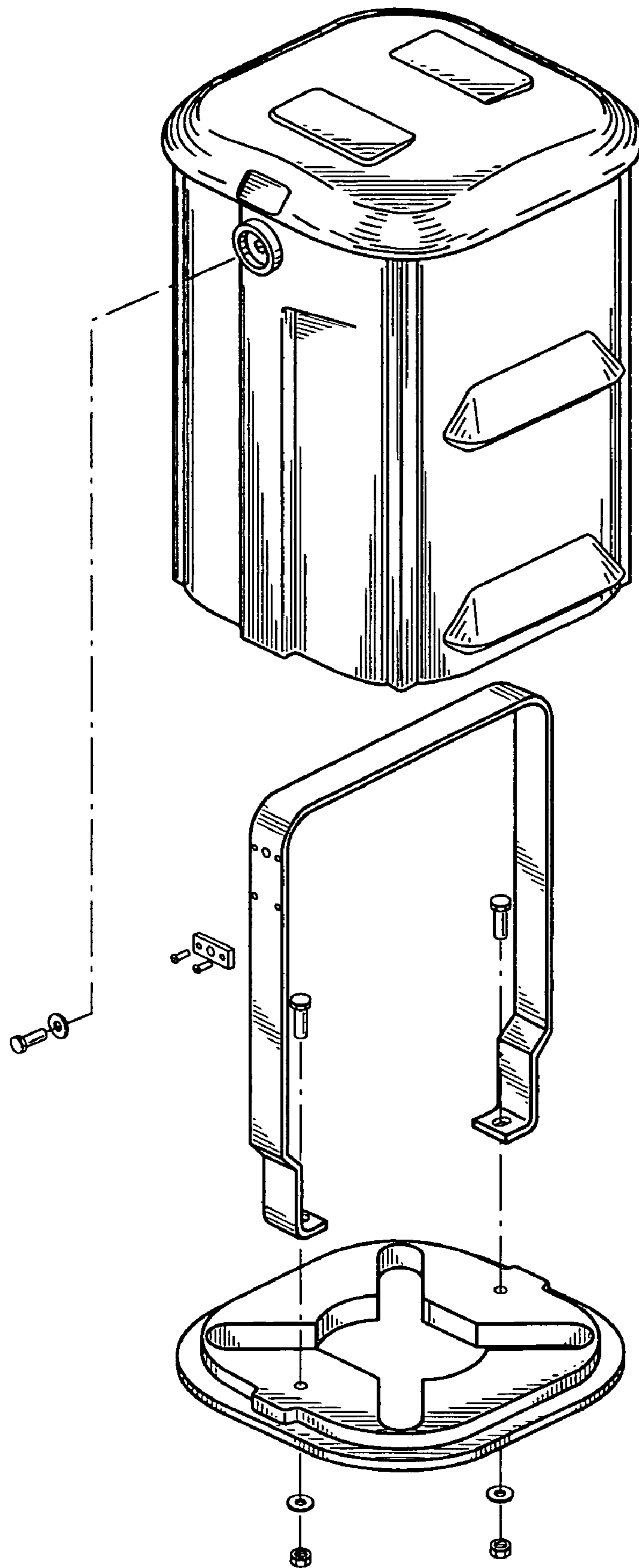


Fig. 1

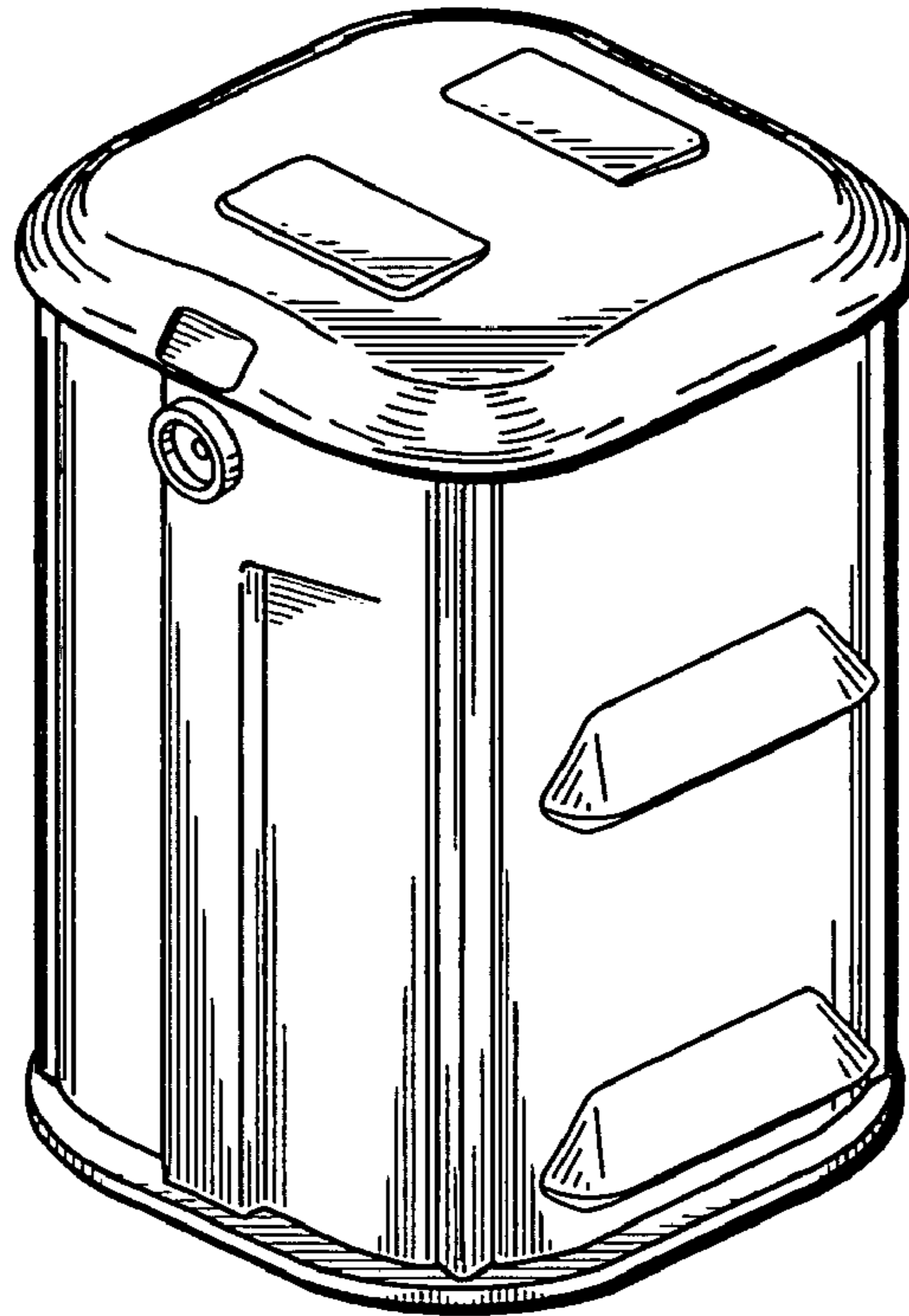


Fig. 2

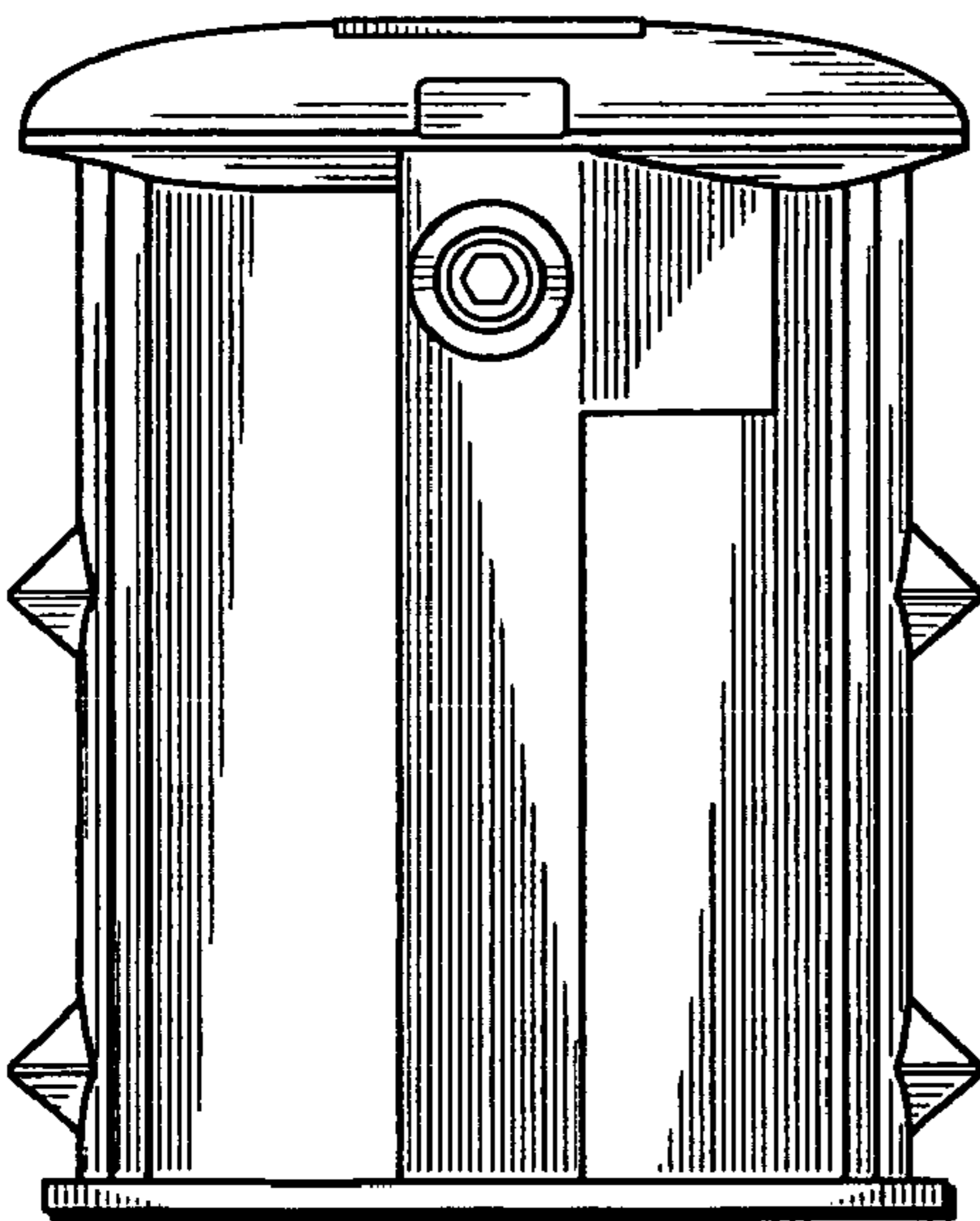


Fig. 3

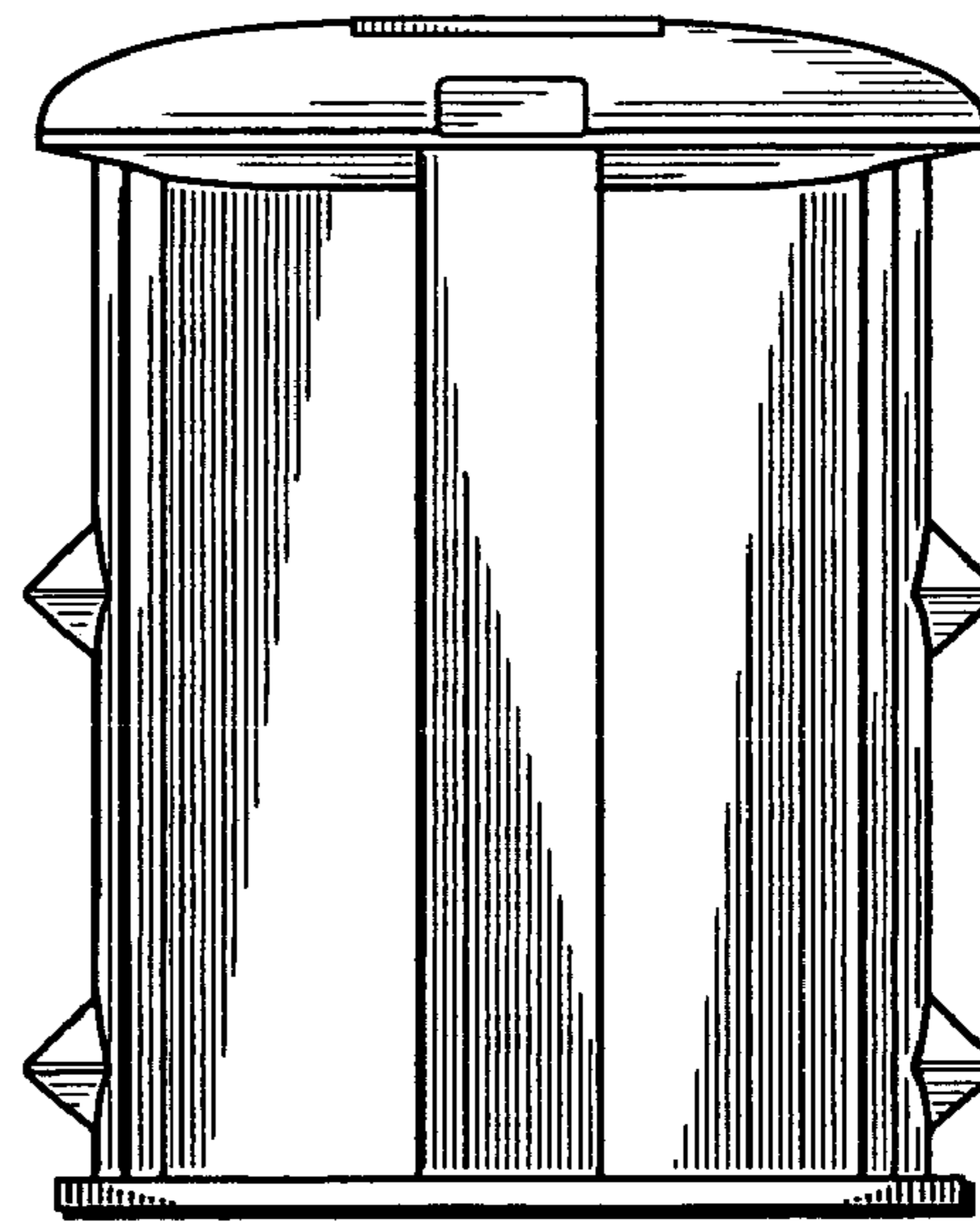


Fig. 4

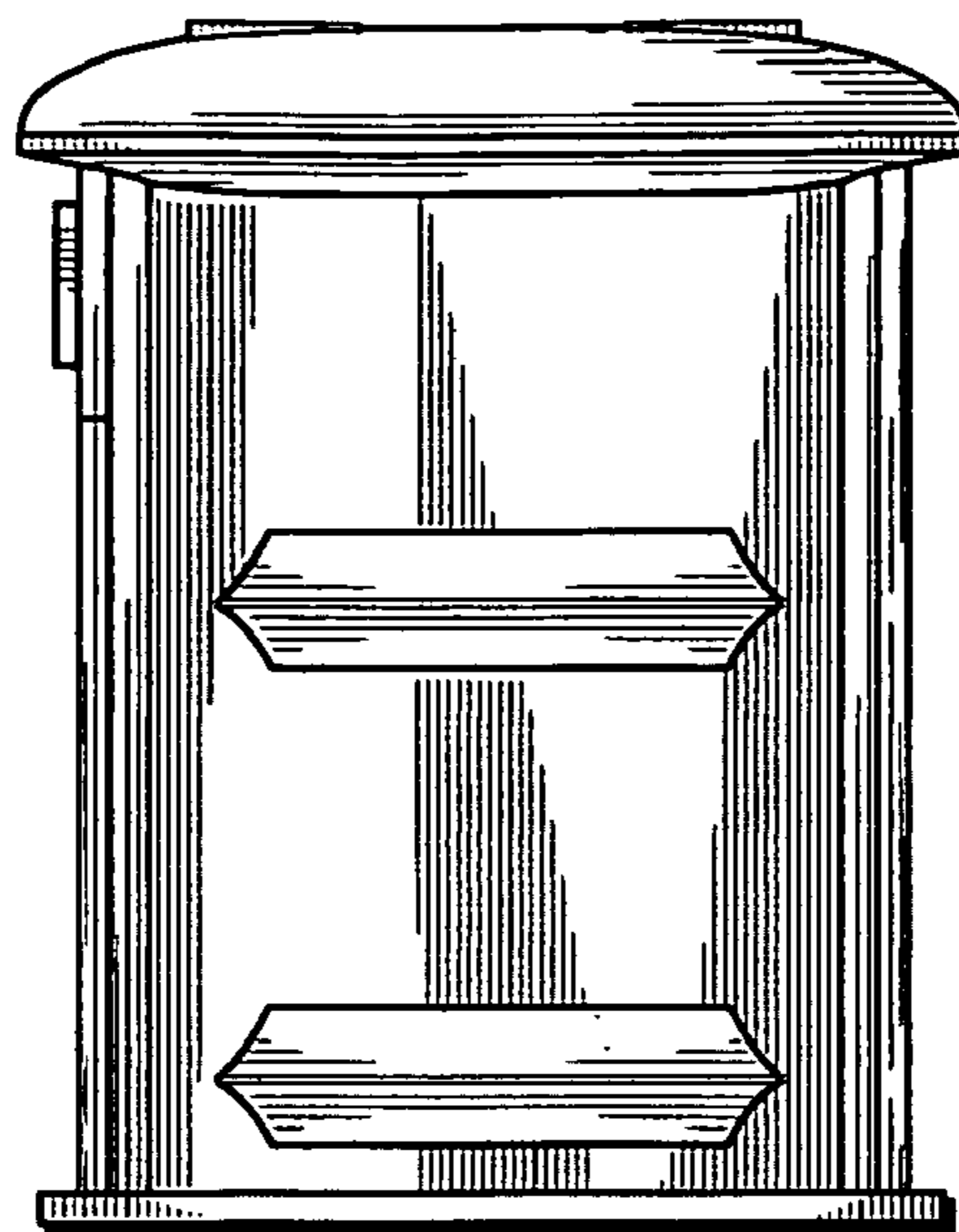


Fig. 5

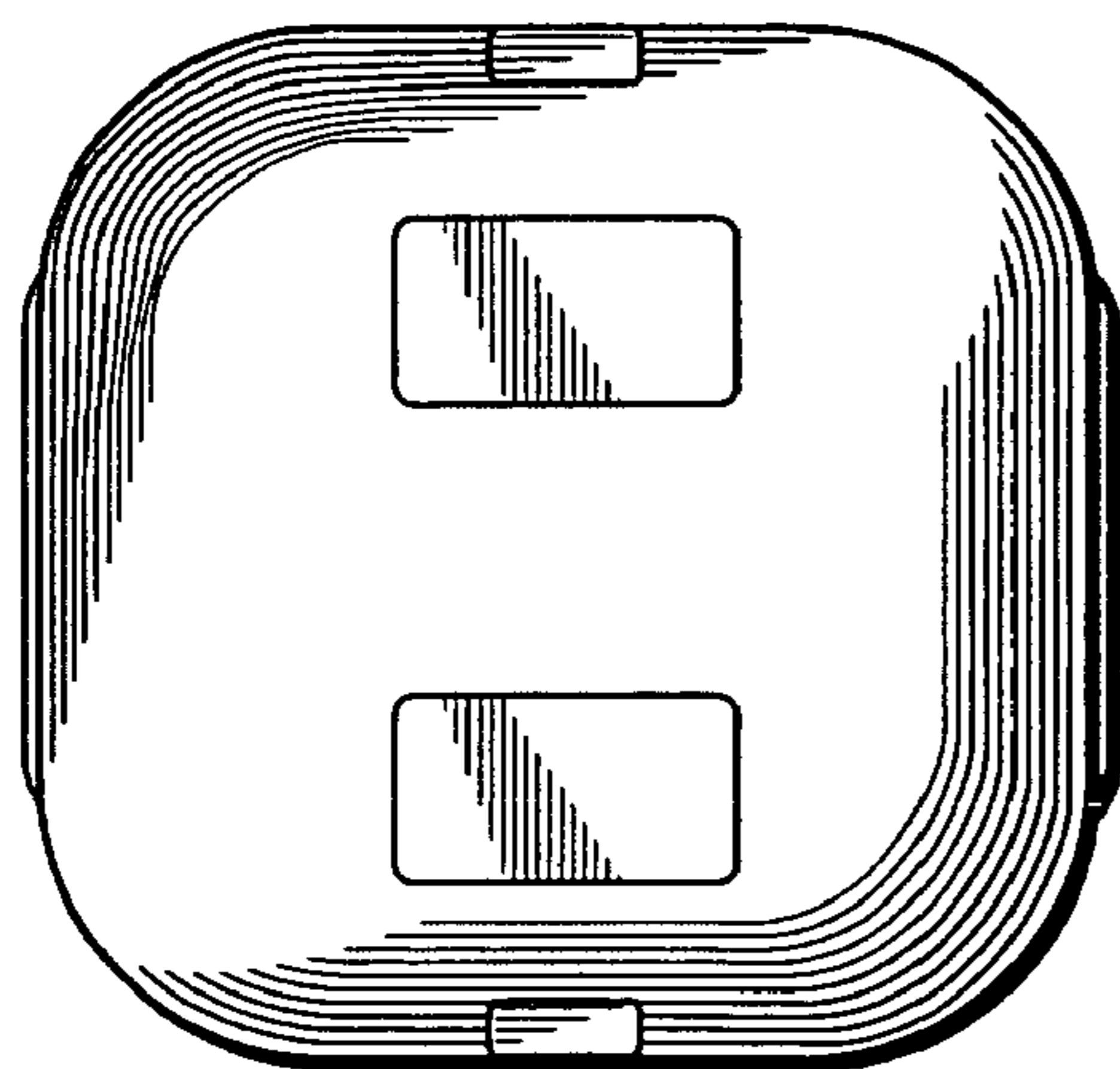


Fig. 6

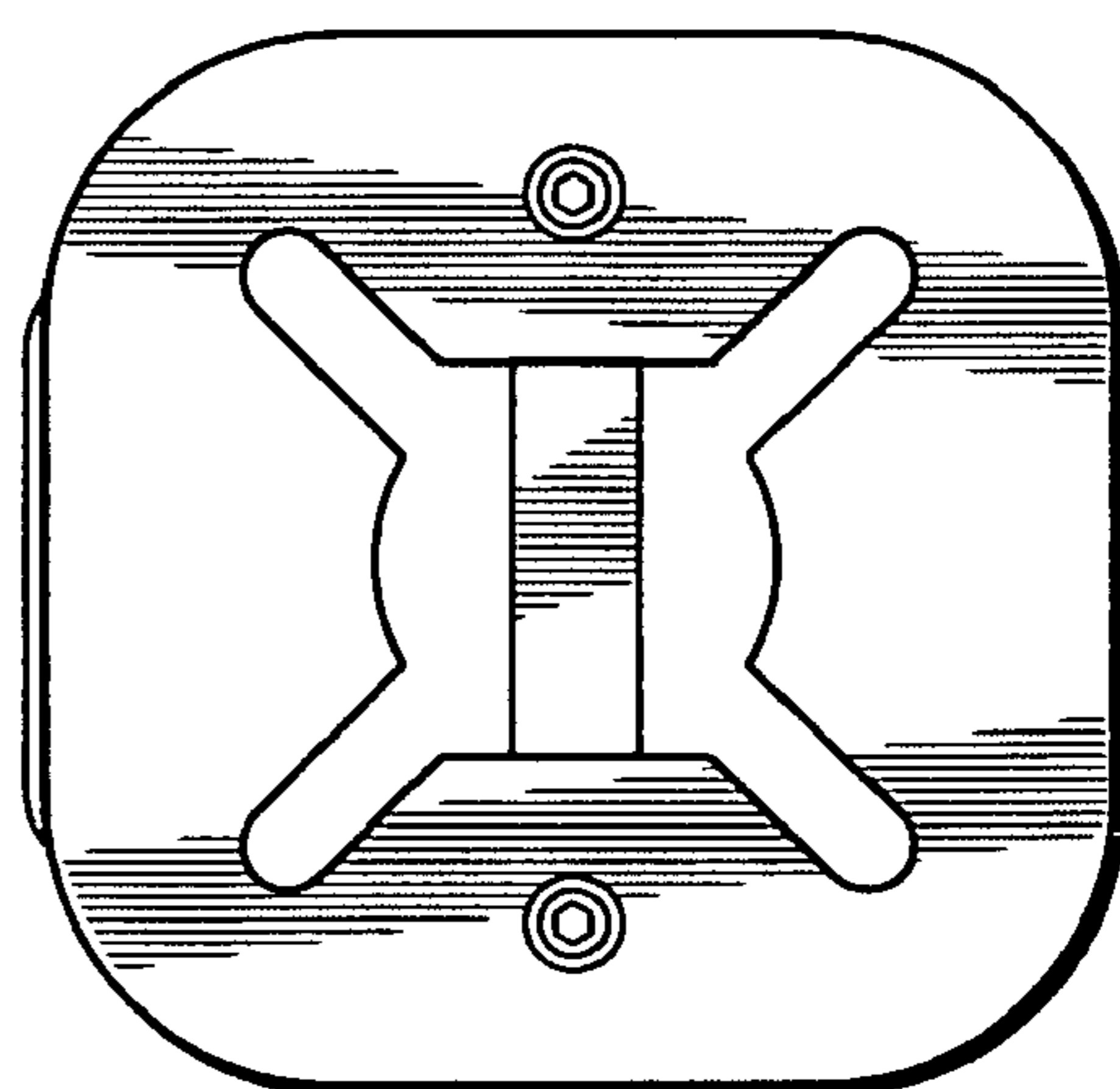


Fig. 7