



US00D555113S

(12) **United States Design Patent** (10) **Patent No.:** **US D555,113 S**  
**Yen** (45) **Date of Patent:** **\*\* Nov. 13, 2007**

(54) **OPTO-ELECTRONIC DEVICE**

(75) Inventor: **Jui-Kang Yen**, Taipei (TW)

(73) Assignee: **Semi-Photonics Co., Ltd.**, Chu-Nan (TW)

(\*\*) Term: **14 Years**

(21) Appl. No.: **29/246,445**

(22) Filed: **Apr. 12, 2006**

(51) **LOC (8) Cl.** ..... **13-03**

(52) **U.S. Cl.** ..... **D13/180**

(58) **Field of Classification Search** ..... D13/180;  
D26/2; 257/79, 80, 81, 82, 88, 89, 95, 98,  
257/99, 100, 678, 680, 433, 434; 313/483,  
313/498, 500; 361/820; 362/555, 800  
See application file for complete search history.

(56) **References Cited**

**U.S. PATENT DOCUMENTS**

D510,912 S *	10/2005	Asakawa	.....	D13/180
D517,027 S *	3/2006	Suenaga	.....	D13/180
D524,260 S *	7/2006	Ishizaka et al.	.....	D13/180
7,078,728 B2 *	7/2006	Ishii et al.	.....	257/79
7,153,000 B2 *	12/2006	Park et al.	.....	362/268
7,161,189 B2 *	1/2007	Wu	.....	257/98
2004/0041222 A1 *	3/2004	Loh	.....	257/433
2004/0126913 A1 *	7/2004	Loh	.....	438/26
2004/0207059 A1 *	10/2004	Hong	.....	257/678

2005/0242708 A1 *	11/2005	Keong et al.	.....	313/498
2005/0269587 A1 *	12/2005	Loh et al.	.....	257/99
2006/0054914 A1 *	3/2006	Hsian Yi	.....	257/100
2006/0102917 A1 *	5/2006	Oyama et al.	.....	257/99
2006/0157726 A1 *	7/2006	Loh et al.	.....	257/100
2006/0220049 A1 *	10/2006	Flaherty et al.	.....	257/98
2007/0029569 A1 *	2/2007	Andrews	.....	257/99

\* cited by examiner

*Primary Examiner*—Selina Sikder

(74) *Attorney, Agent, or Firm*—Patterson & Sheridan, LLP

(57) **CLAIM**

The ornamental design for a opto-electronic device, as shown and described.

**DESCRIPTION**

FIG. 1 is a perspective view of a opto-electronic device, showing my new design.

FIG. 2 is a top view thereof.

FIG. 3 is a front side view thereof.

FIG. 4 is a back side view thereof.

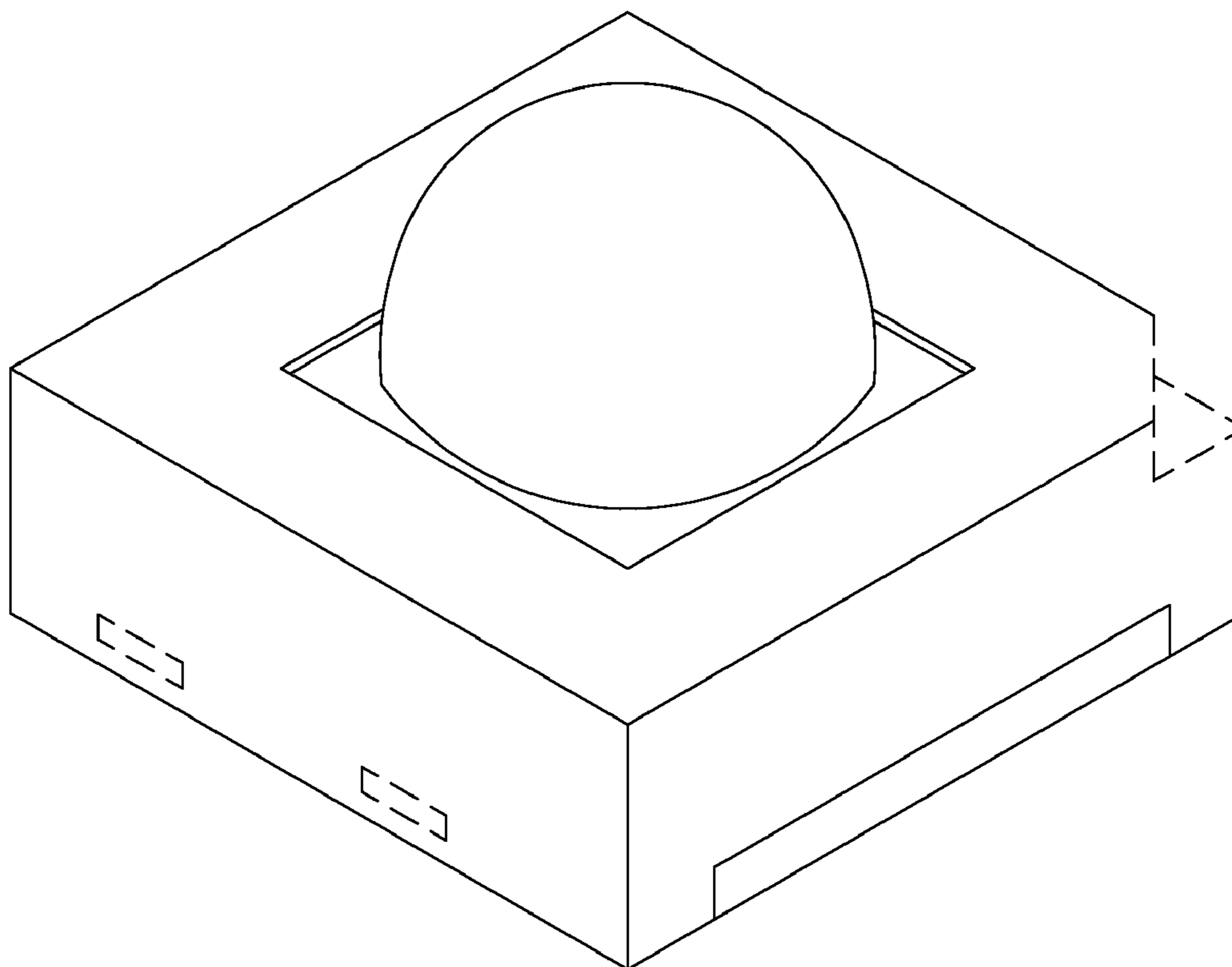
FIG. 5 is a right side view thereof.

FIG. 6 is a left side view thereof; and,

FIG. 7 is a bottom view thereof.

The broken lines represent unclaimed subject matter.

**1 Claim, 4 Drawing Sheets**



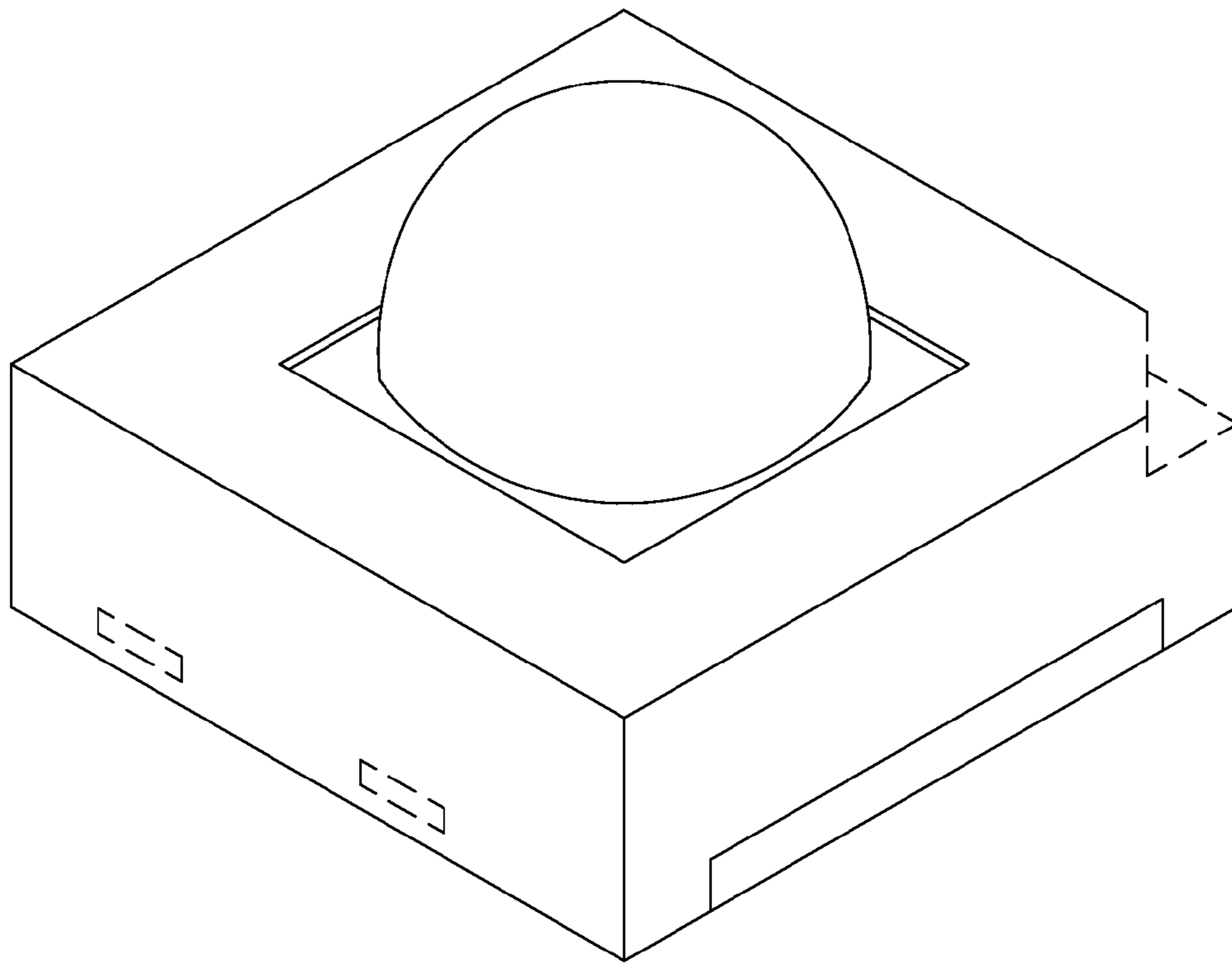


FIG. 1

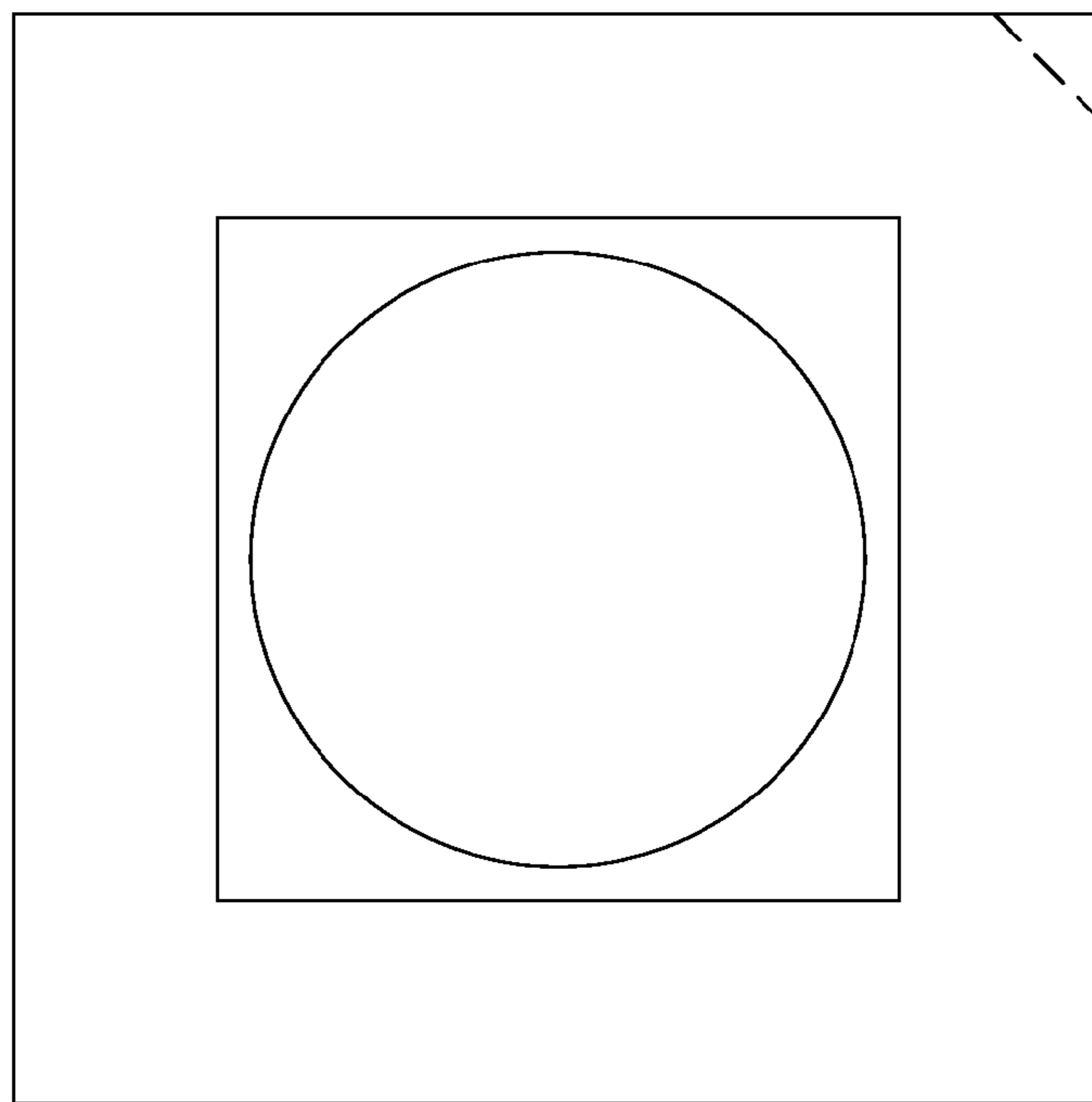


FIG. 2

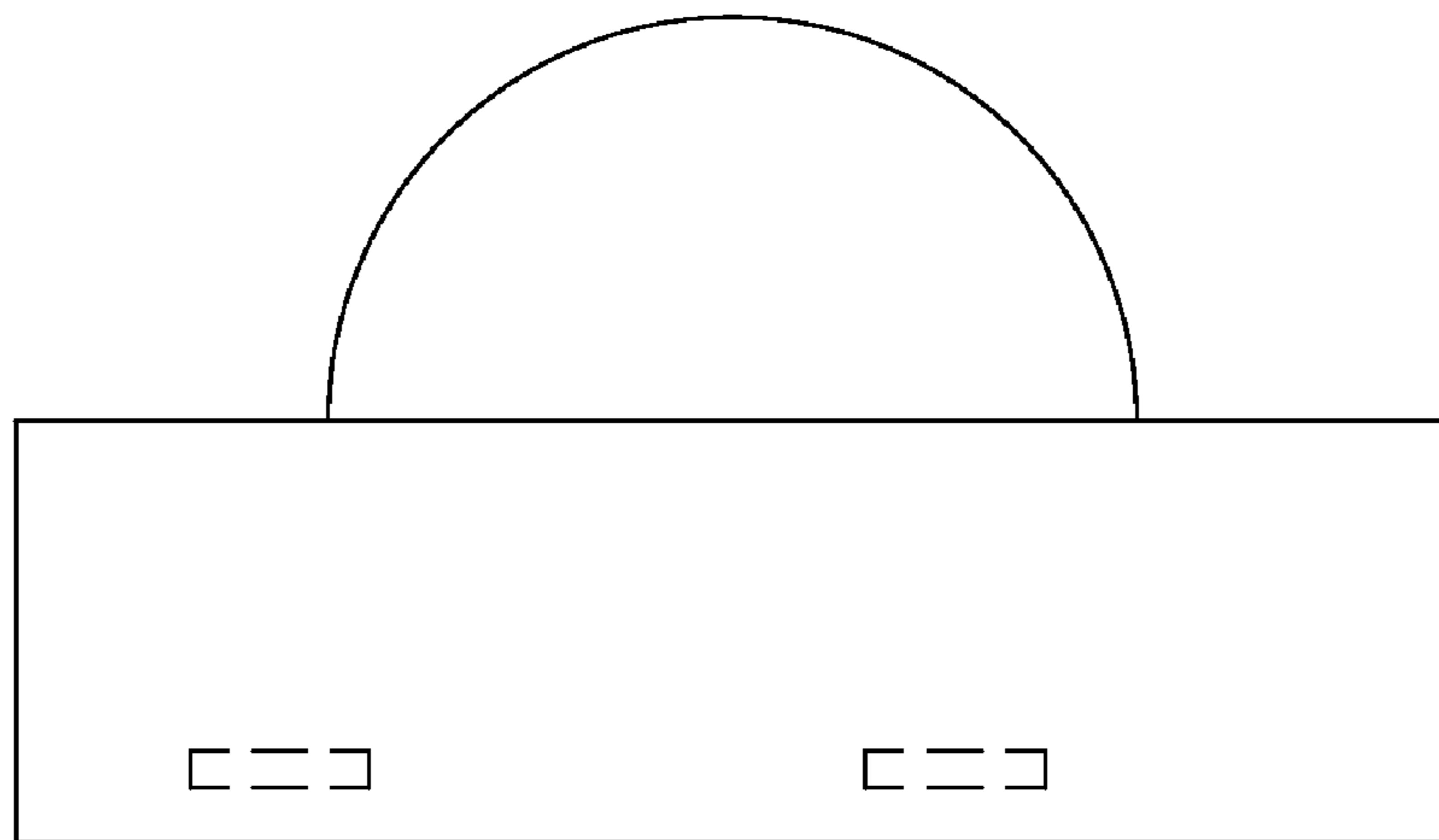


FIG. 3

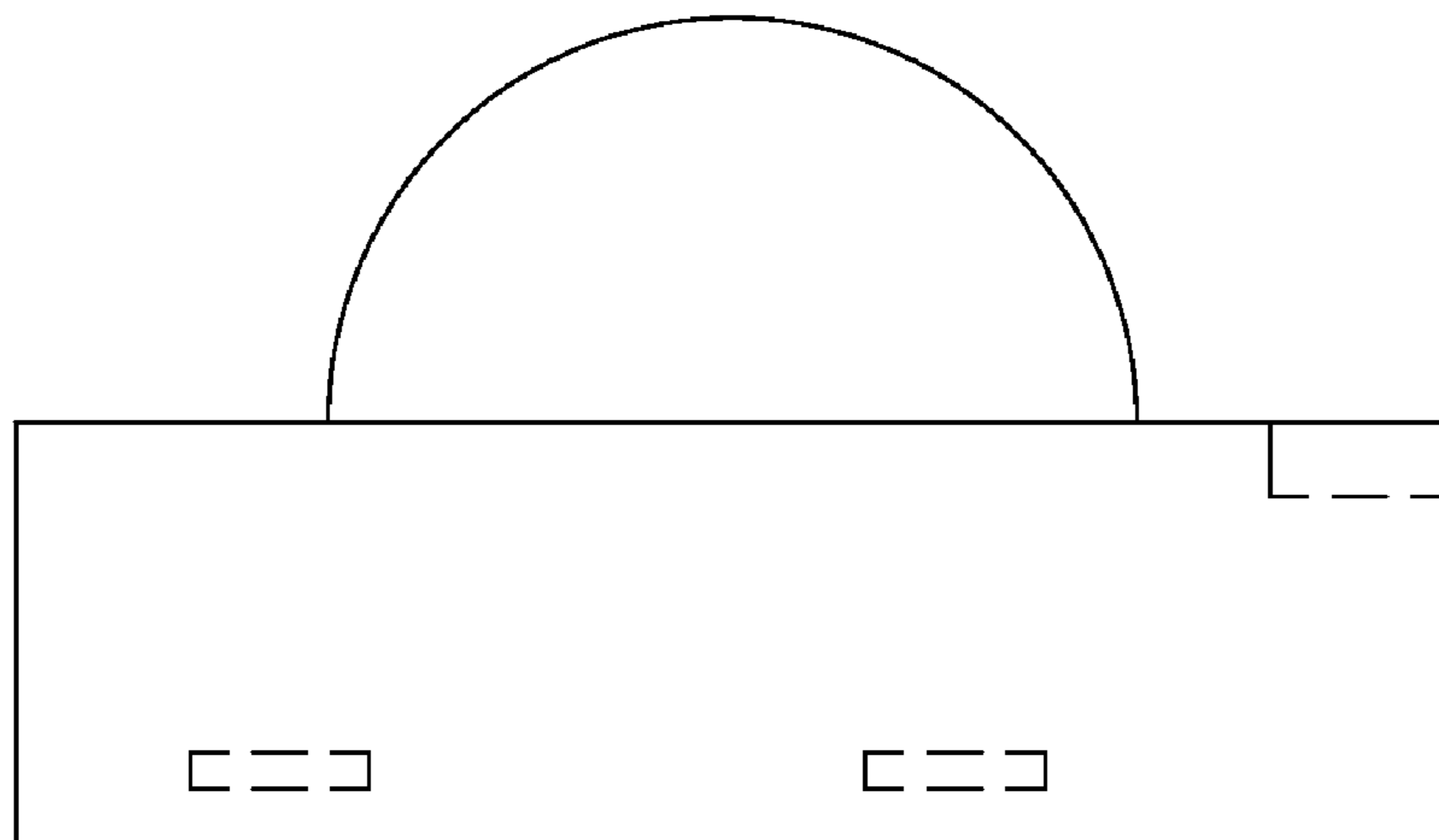


FIG. 4

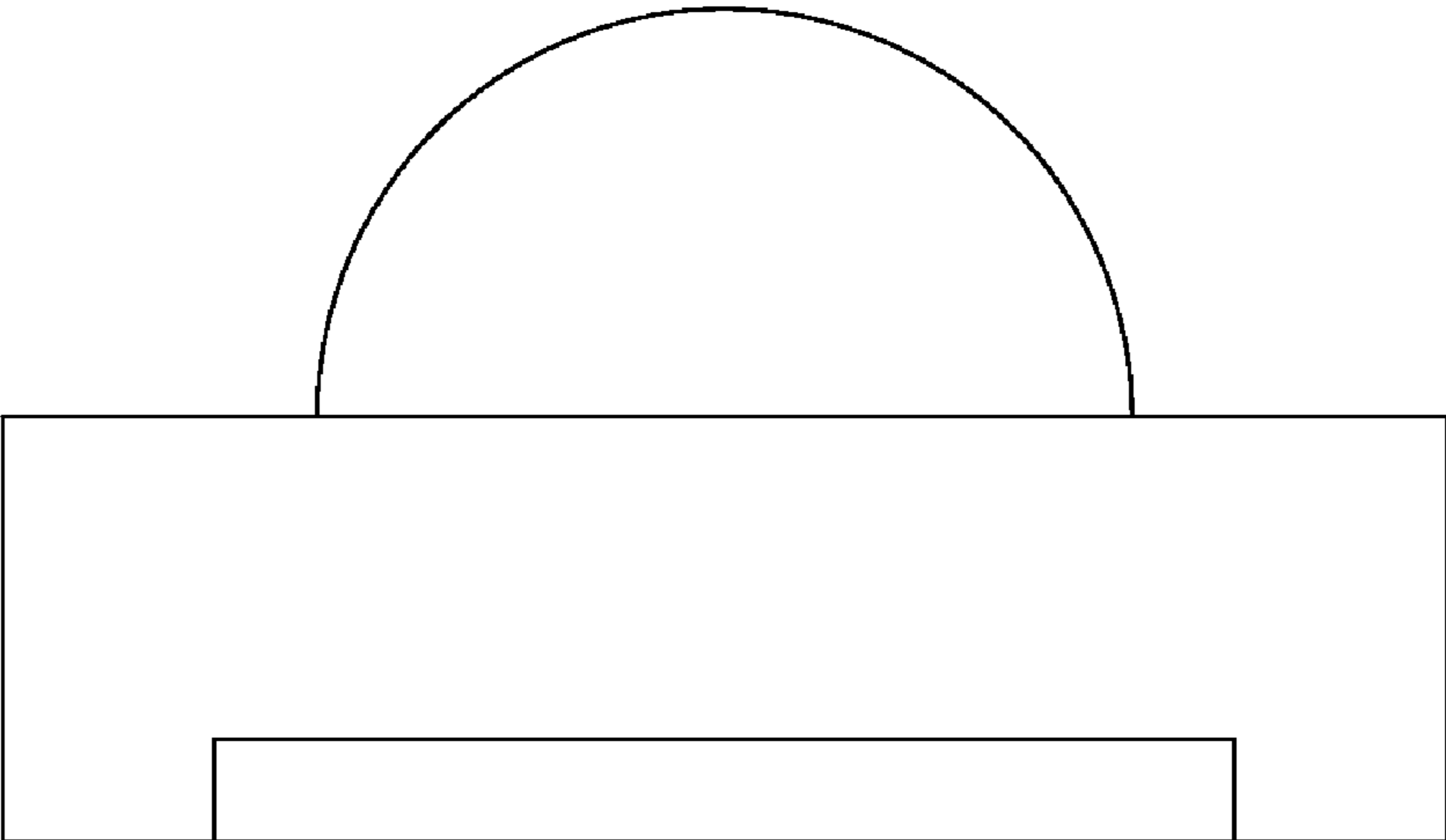


FIG. 5

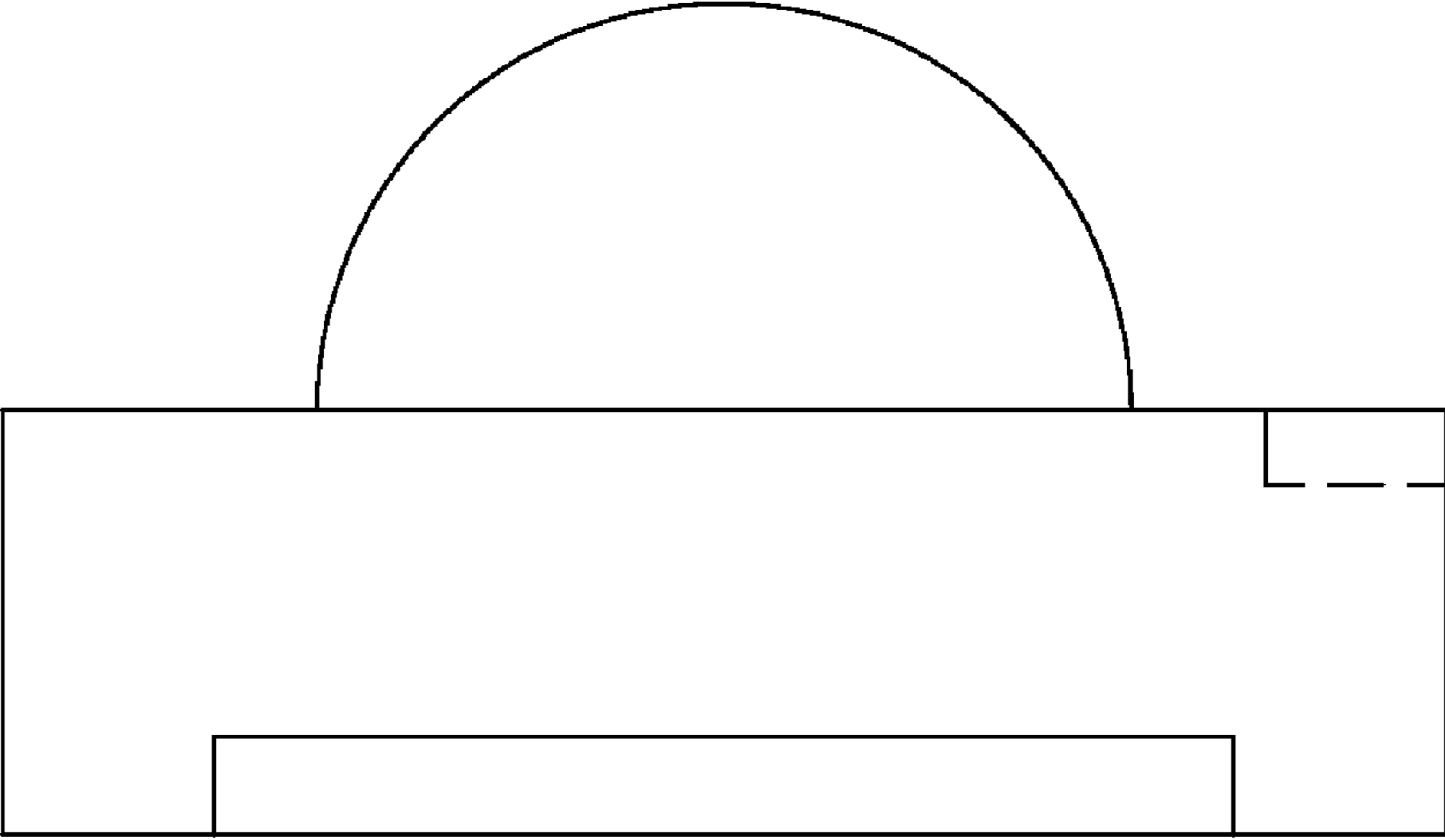


FIG. 6

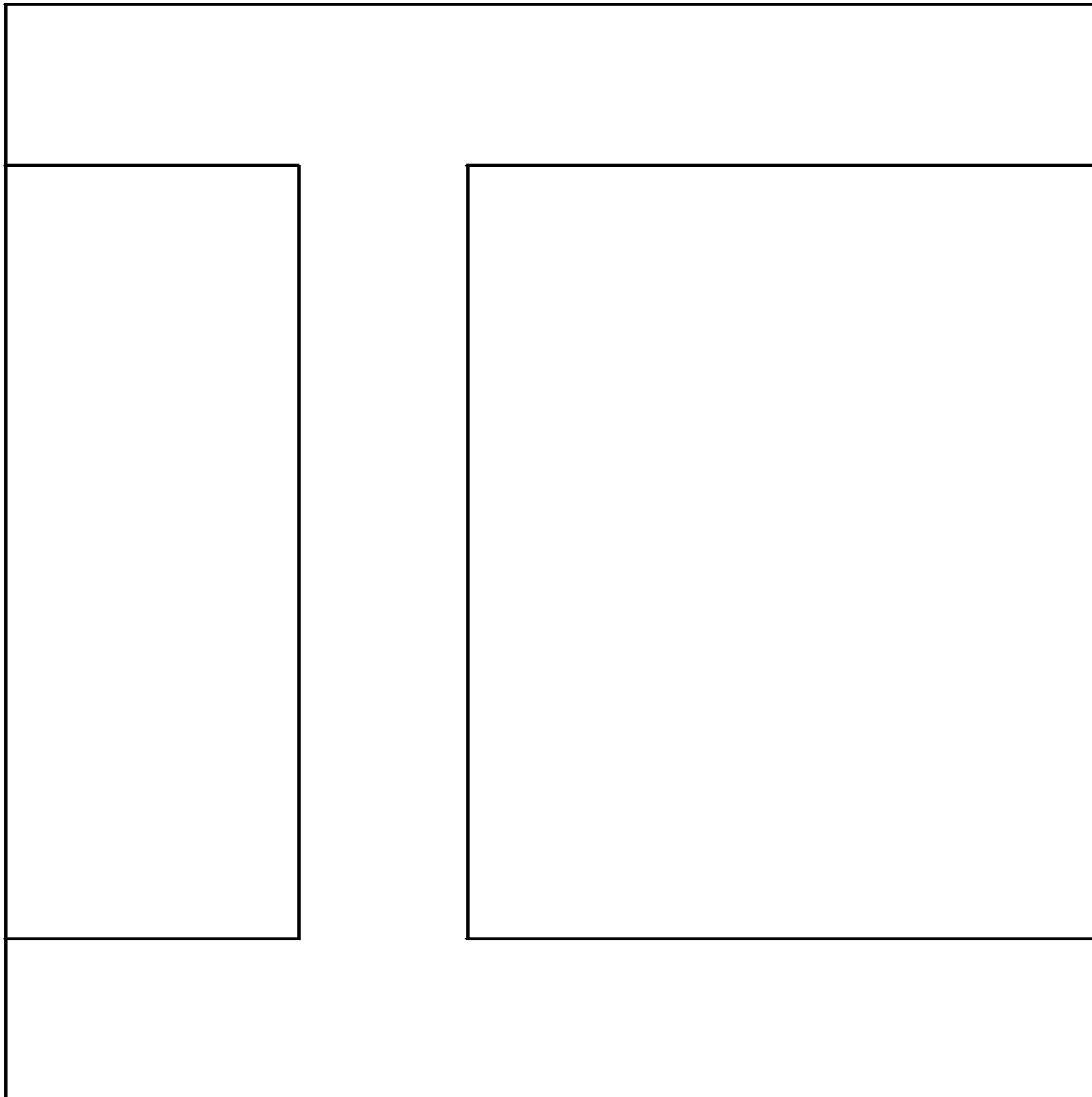


FIG. 7