



US00D555112S

(12) **United States Design Patent**
Yen

(10) **Patent No.:** **US D555,112 S**

(45) **Date of Patent:** **** Nov. 13, 2007**

(54) **LED DEVICE**

(75) Inventor: **Jui-Kang Yen**, Taipei (TW)

(73) Assignee: **Semi-Photonics Co., Ltd.**, Chu-Nan (TW)

(**) Term: **14 Years**

(21) Appl. No.: **29/246,444**

(22) Filed: **Apr. 12, 2006**

(51) **LOC (8) Cl.** **13-03**

(52) **U.S. Cl.** **D13/180**

(58) **Field of Classification Search** D13/180;
D26/2; 257/79, 80, 81, 82, 88, 89, 95, 98,
257/99, 100, 678, 680, 433, 434; 313/483,
313/498, 500; 361/820; 362/555, 800
See application file for complete search history.

(56) **References Cited**

U.S. PATENT DOCUMENTS

6,429,464	B1 *	8/2002	Lin	257/99
6,720,581	B2 *	4/2004	Ozawa	257/81
D491,898	S *	6/2004	Kamada	D13/180
2004/0257817	A1 *	12/2004	Philipp	362/363
2005/0242708	A1 *	11/2005	Keong et al.	313/498
2006/0001361	A1 *	1/2006	Imai et al.	313/498

2006/0157726	A1 *	7/2006	Loh et al.	257/100
2006/0220049	A1 *	10/2006	Flaherty et al.	257/98
2006/0267036	A1 *	11/2006	Lee et al.	257/98
2006/0284305	A1 *	12/2006	Yen et al.	257/708
2006/0291203	A1 *	12/2006	Anandan	362/231
2007/0029559	A1 *	2/2007	Lee et al.	257/98
2007/0029570	A1 *	2/2007	Shin et al.	257/99

* cited by examiner

Primary Examiner—Selina Sikder

(74) *Attorney, Agent, or Firm*—Patterson & Sheridan, LLP

(57) **CLAIM**

The ornamental design for a LED device, as shown and described.

DESCRIPTION

FIG. 1 is a perspective view of a LED device showing my new design.

FIG. 2 is a top view thereof.

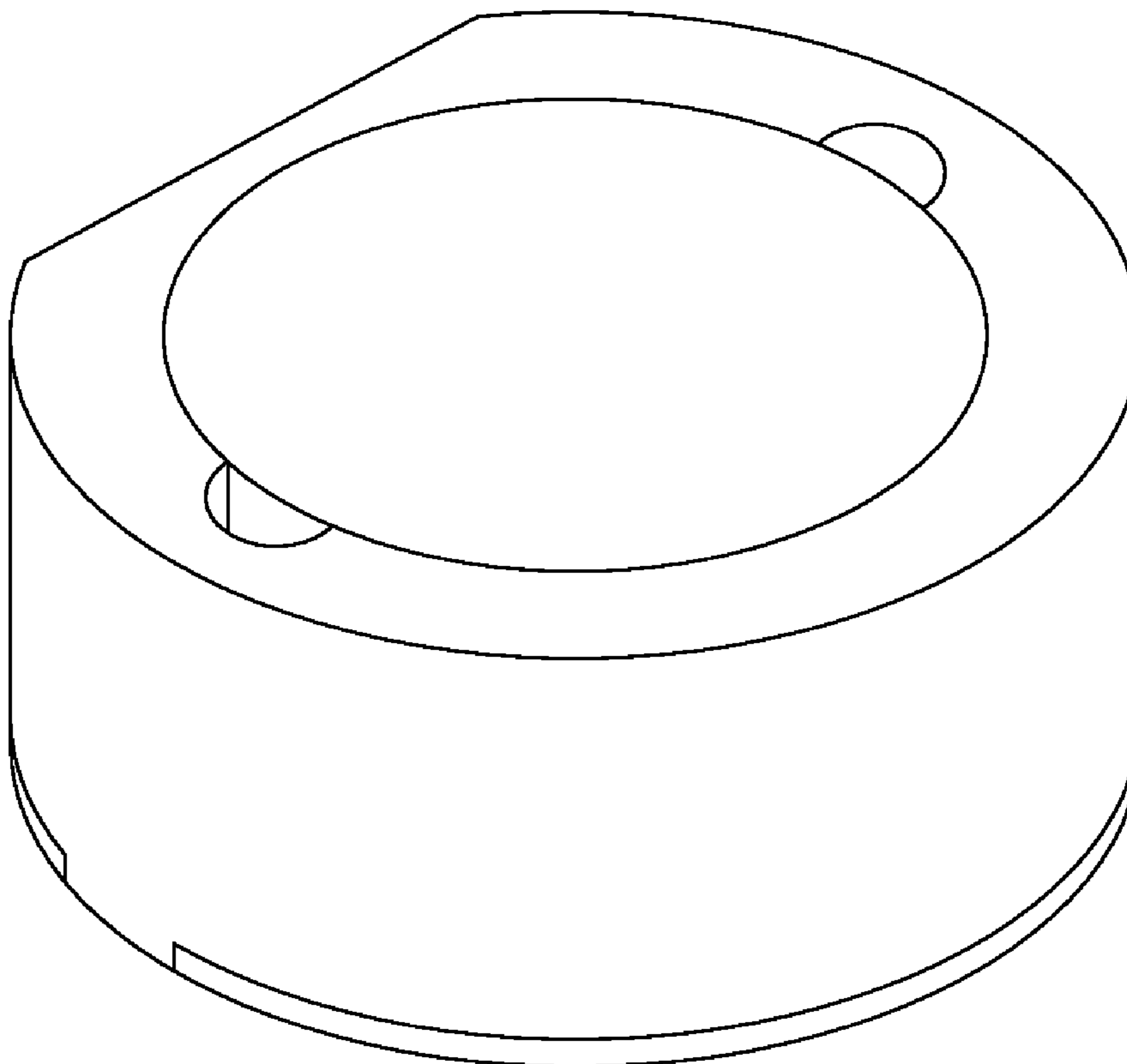
FIG. 3 is a front side view thereof; the back side view is a mirror image of the front side view.

FIG. 4 is a right side view thereof.

FIG. 5 is a left side view thereof; and,

FIG. 6 is a bottom view thereof.

1 Claim, 4 Drawing Sheets



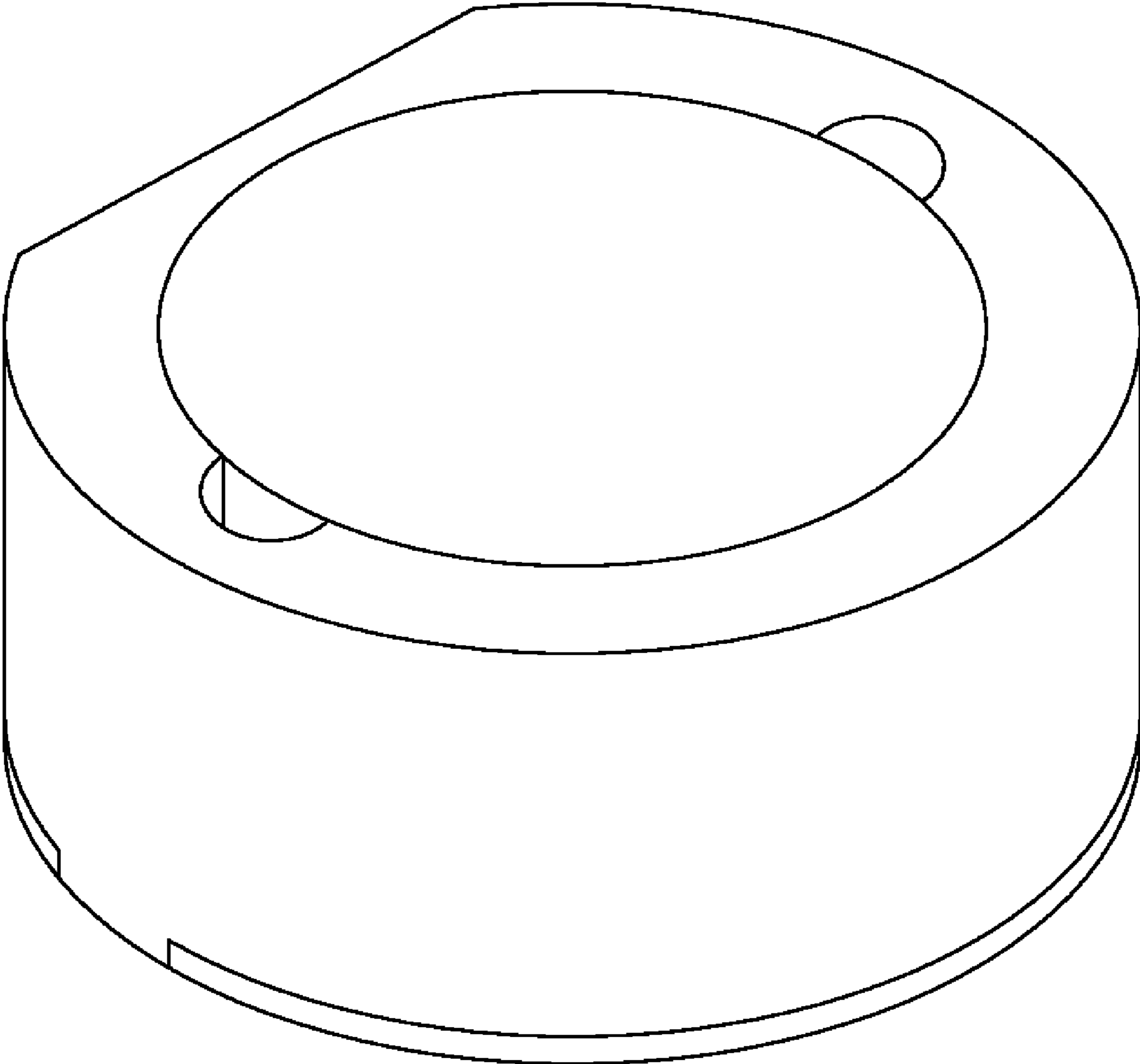


FIG. 1

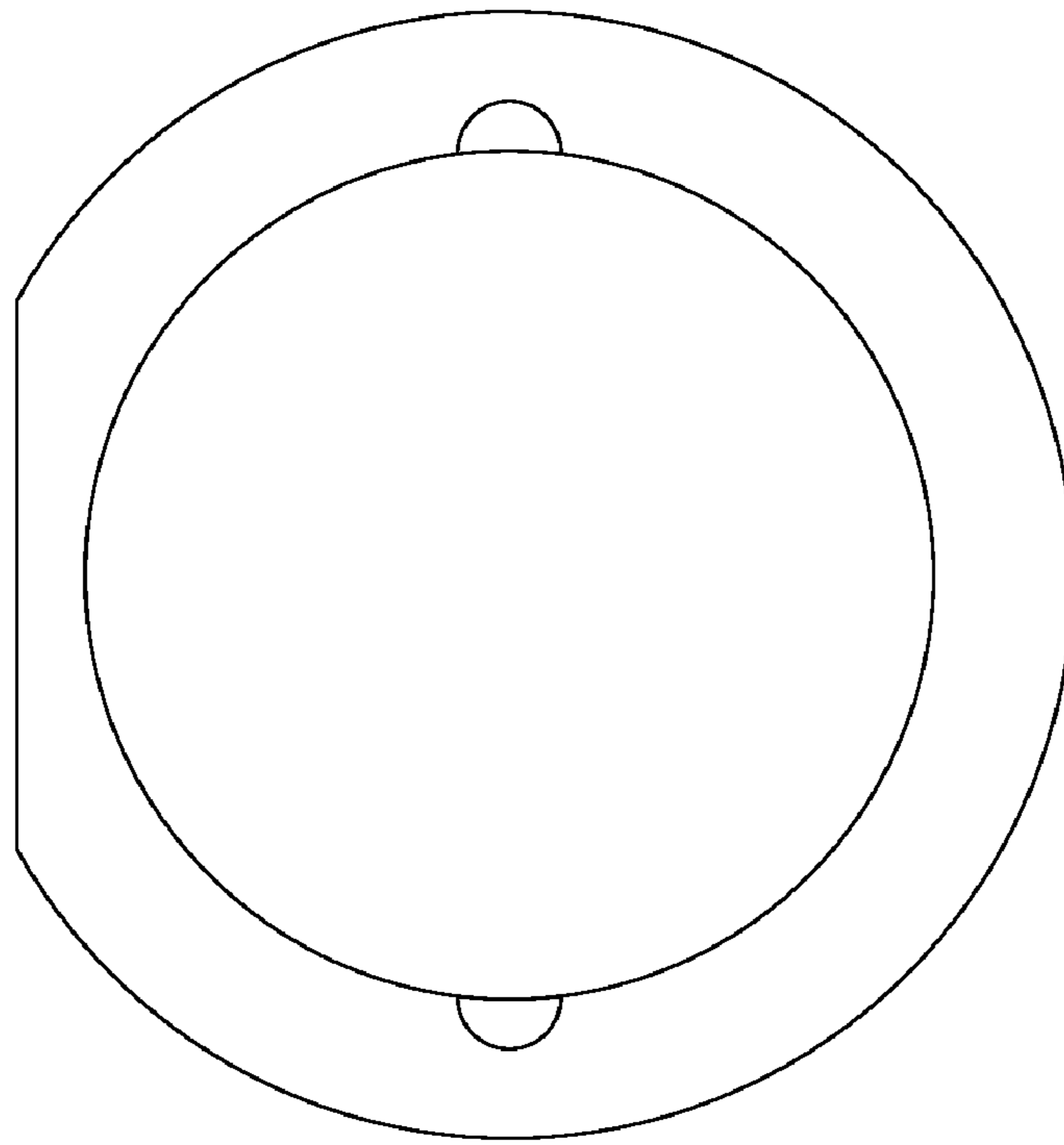


FIG. 2

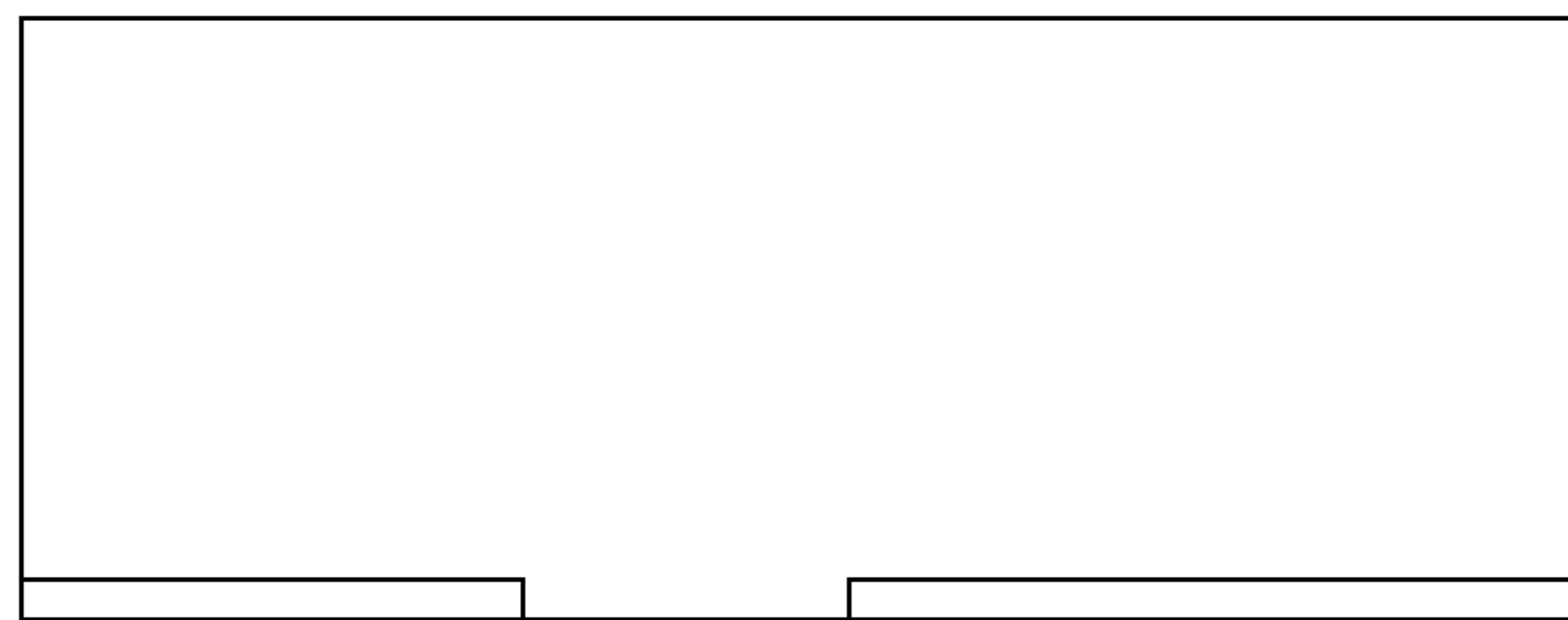


FIG. 3



FIG. 4



FIG. 5

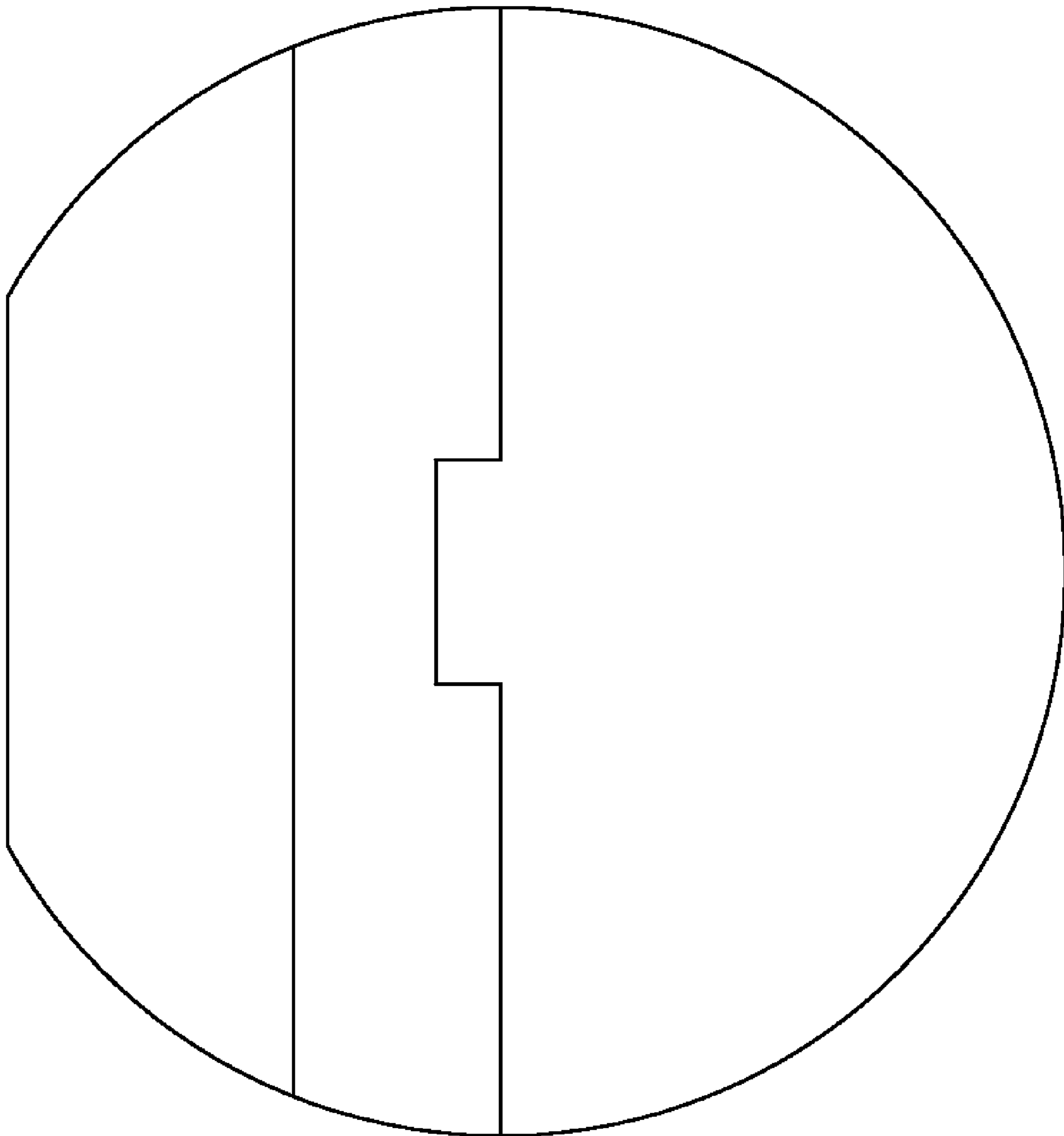


FIG. 6