



US00D555109S

(12) **United States Design Patent**
Lee et al.

(10) **Patent No.:** **US D555,109 S**
(45) **Date of Patent:** **** Nov. 13, 2007**

(54) **FASTENER FOR A HEAT SINK AND FAN ASSEMBLY**
(75) Inventors: **Hsieh-Kun Lee**, Tu-Cheng (TW);
Chun-Chi Chen, Tu-Cheng (TW);
Shi-Wen Zhou, Shenzhen (CN); **Zhan Wu**, Shenzhen (CN)

6,672,374 B1 * 1/2004 Lin 165/121
D492,655 S * 7/2004 Yu D13/179
D514,529 S * 2/2006 Yu et al. D13/179
7,040,389 B2 * 5/2006 Hsu 165/185
7,130,192 B2 * 10/2006 Wang et al. 361/697
2003/0230398 A1 * 12/2003 Lee et al. 165/104.21
2005/0217825 A1 * 10/2005 Chern 165/80.3

* cited by examiner

(73) Assignee: **Foxconn Technology Co., Ltd.**, Taipei Hsien (TW)

Primary Examiner—Selina Sikder
(74) *Attorney, Agent, or Firm*—Wei Te Chung

(**) Term: **14 Years**

(57) **CLAIM**

(21) Appl. No.: **29/236,512**

The ornamental design for a fastener for a heat sink and fan assembly, as shown and described.

(22) Filed: **Aug. 17, 2005**

(30) **Foreign Application Priority Data**

DESCRIPTION

Apr. 29, 2005 (CN) 2005 3 0058472

FIG. 1 is a perspective view of a fastener for a heat sink and fan assembly of our new design;

(51) **LOC (8) Cl.** **13-03**

FIG. 2 is a front elevational view thereof;

(52) **U.S. Cl.** **D13/179**

FIG. 3 is a rear elevational view thereof;

(58) **Field of Classification Search** D13/179;
165/80.3, 104.33, 151, 122, 185; 257/706,
257/707, 718–722; 361/687, 695, 697, 700,
361/702, 704, 709, 710, 711, 719

FIG. 4 is a left side elevational view thereof;

FIG. 5 is a right side elevational view thereof;

See application file for complete search history.

FIG. 6 is a top plan view thereof;

FIG. 7 is a bottom plan view thereof; and,

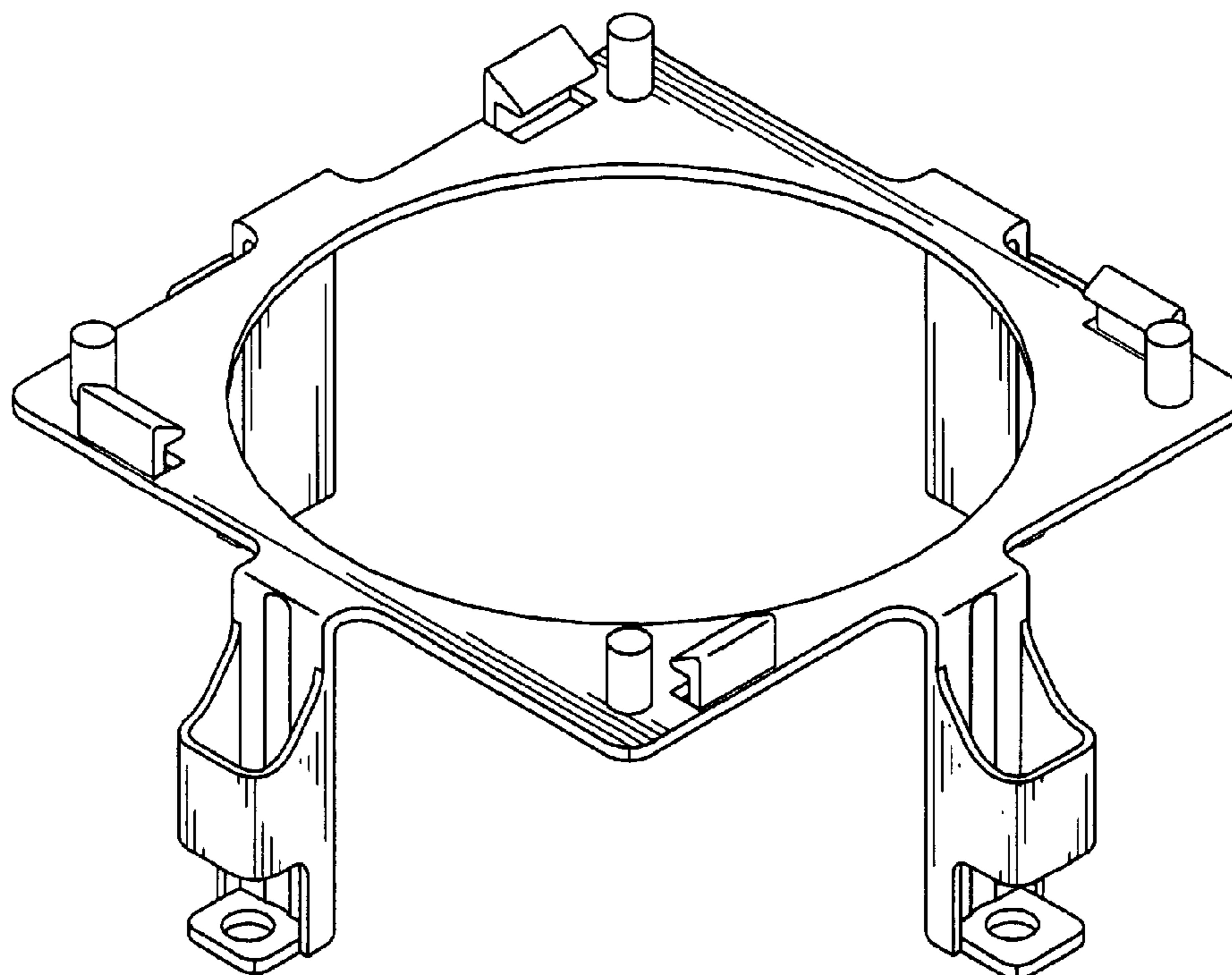
(56) **References Cited**

FIG. 8 is a perspective view thereof being mounted to a heat sink and a fan, wherein the heat sink and the fan are shown in broken lines for illustrative environmental purposes only and form no part of the claimed design.

U.S. PATENT DOCUMENTS

D455,951 S * 4/2002 Kozyra et al. D8/394
6,401,806 B1 * 6/2002 Lee et al. 165/80.3
D478,875 S * 8/2003 Lee D13/179

1 Claim, 5 Drawing Sheets



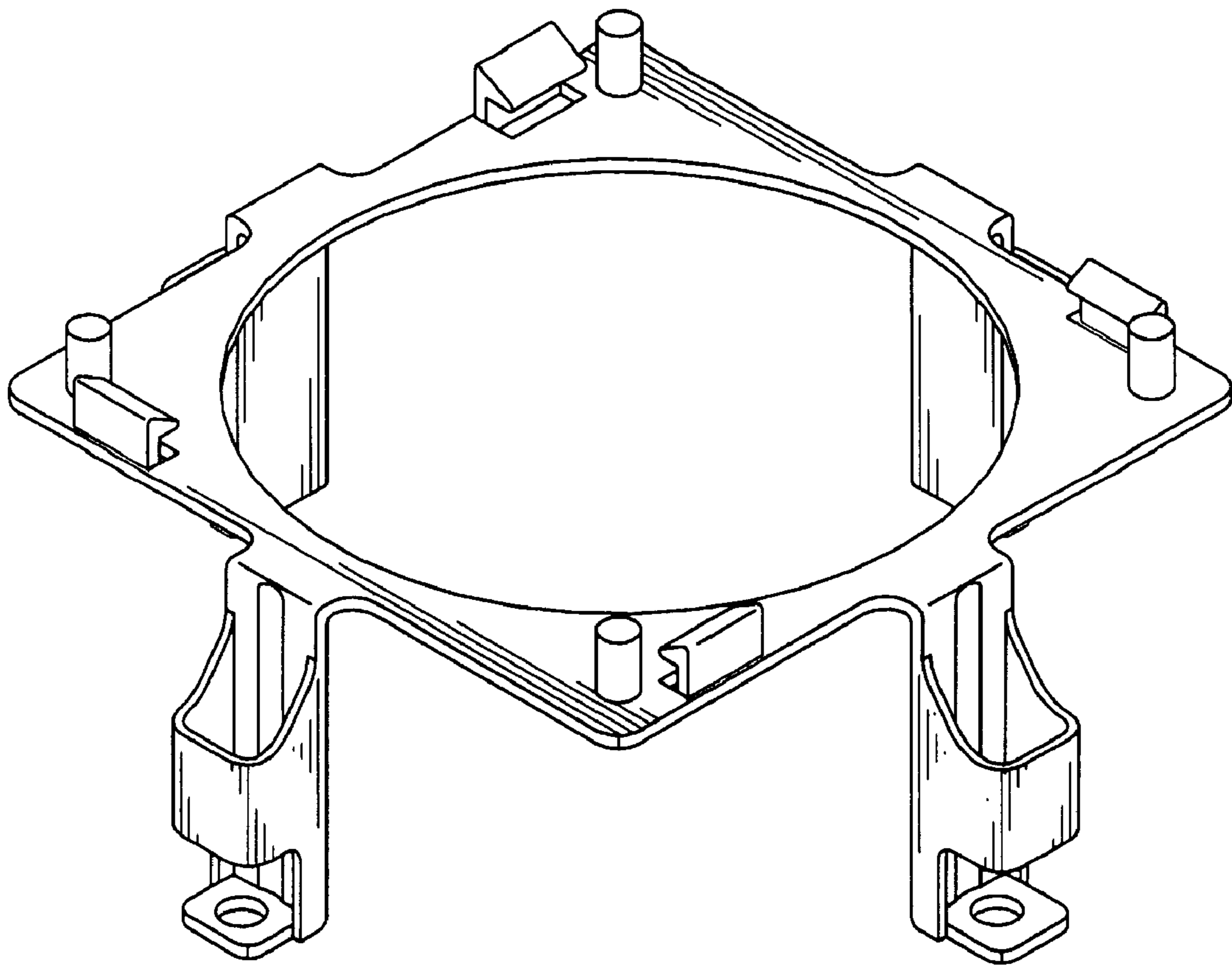


FIG. 1

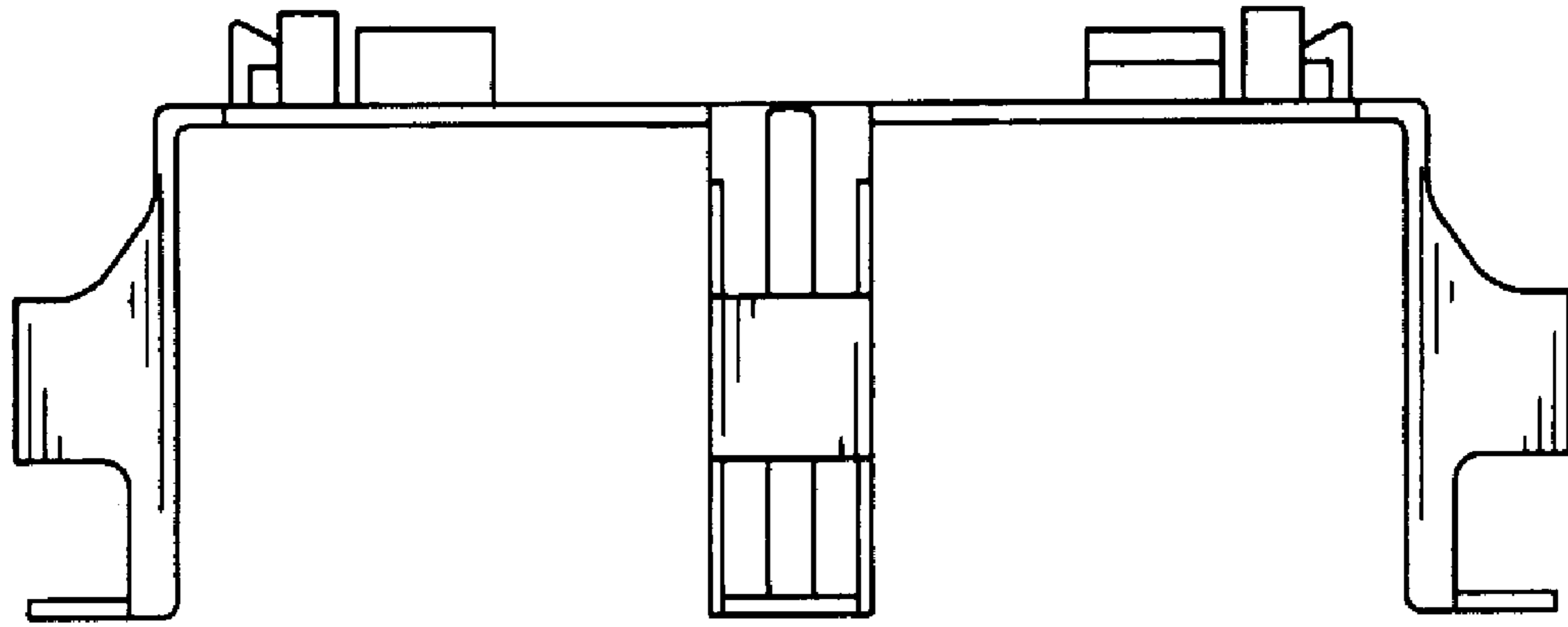


FIG. 2

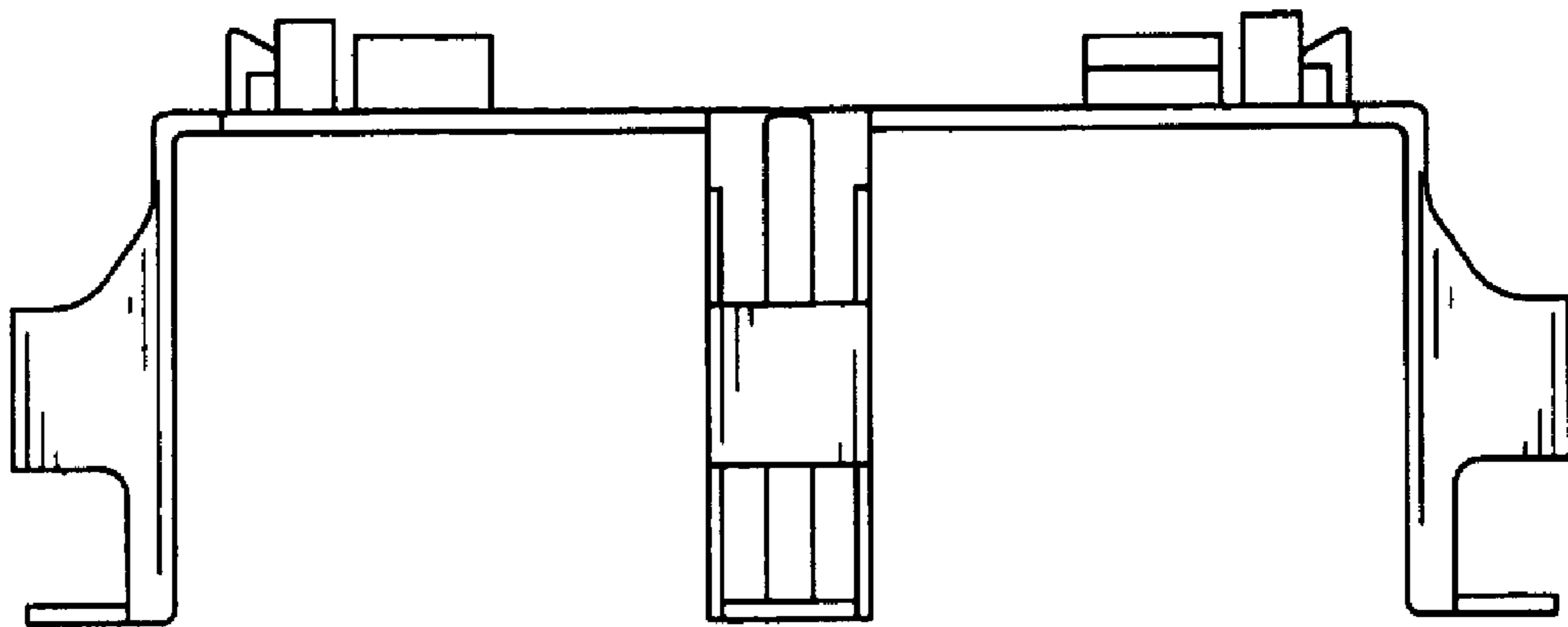


FIG. 3

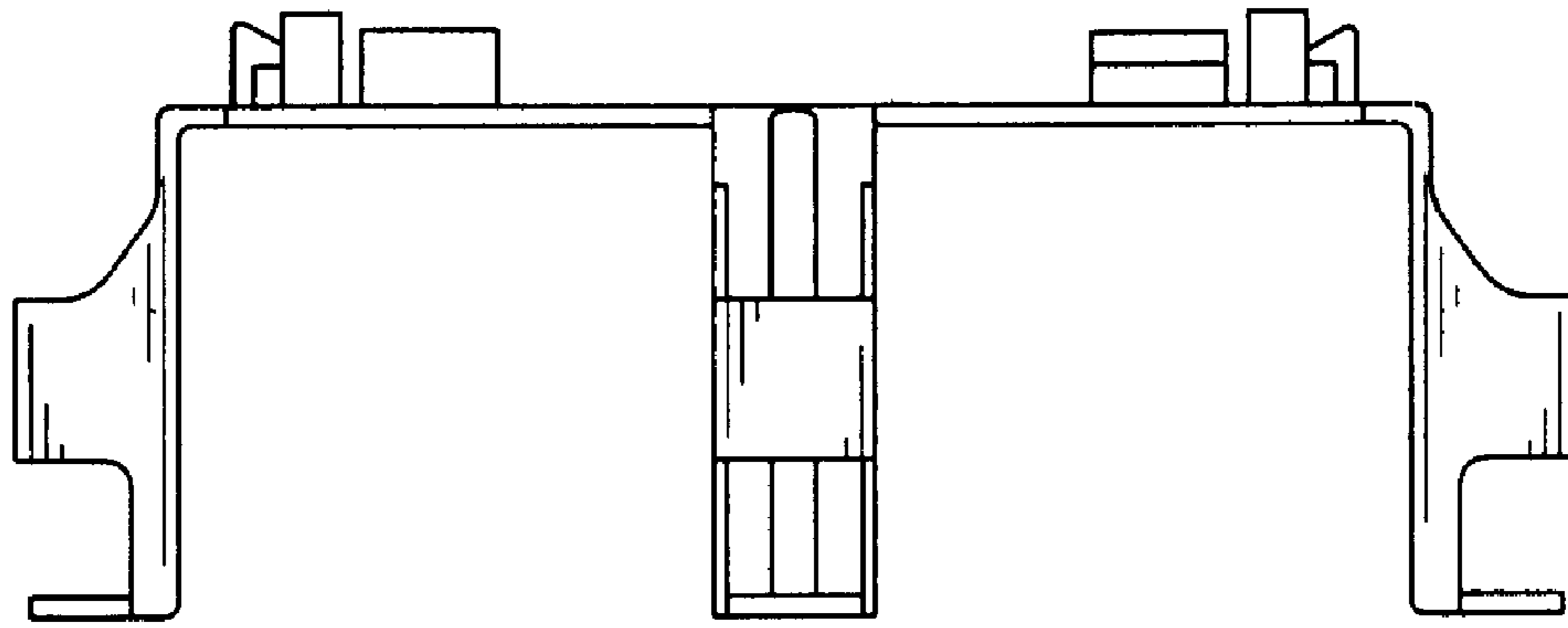


FIG. 4

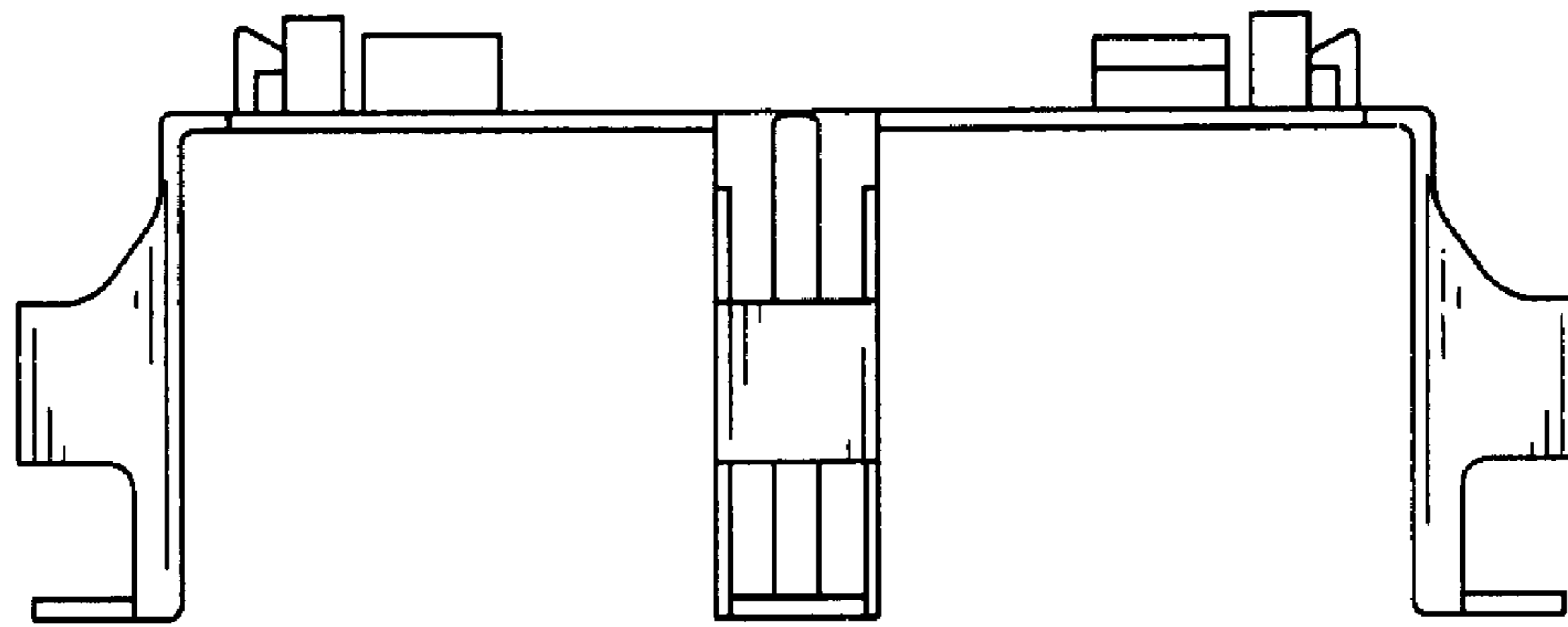


FIG. 5

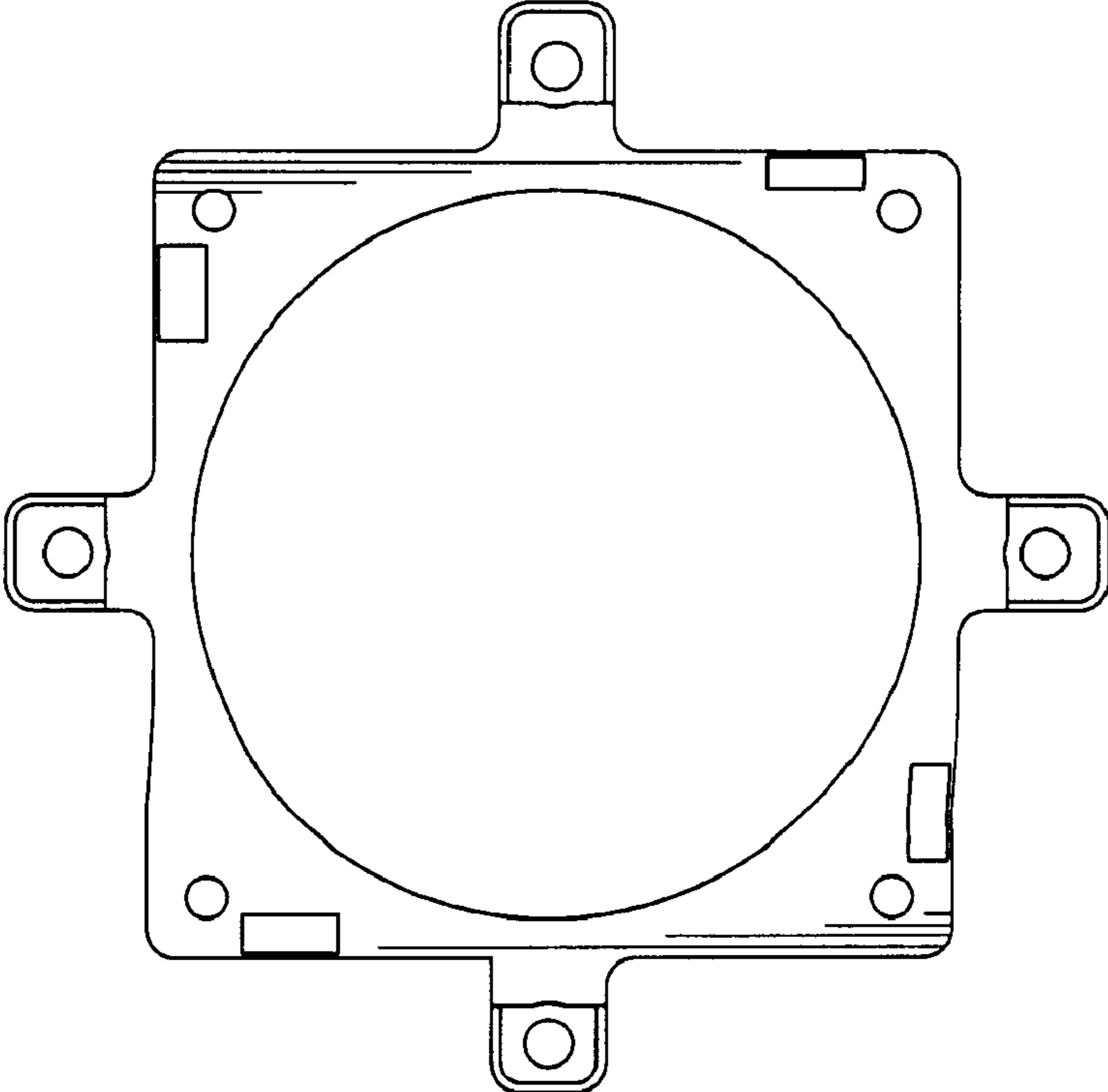


FIG. 6

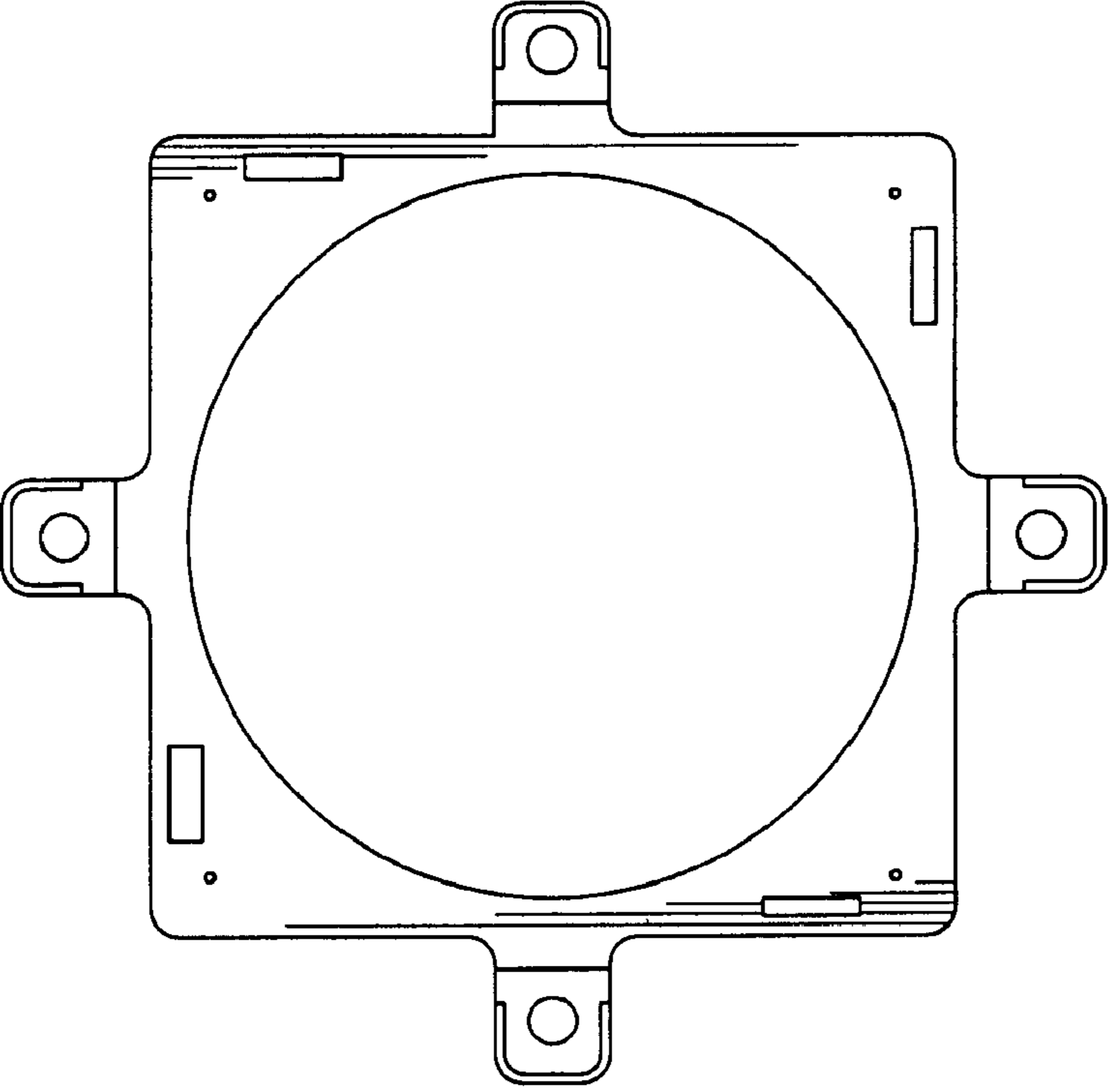


FIG. 7

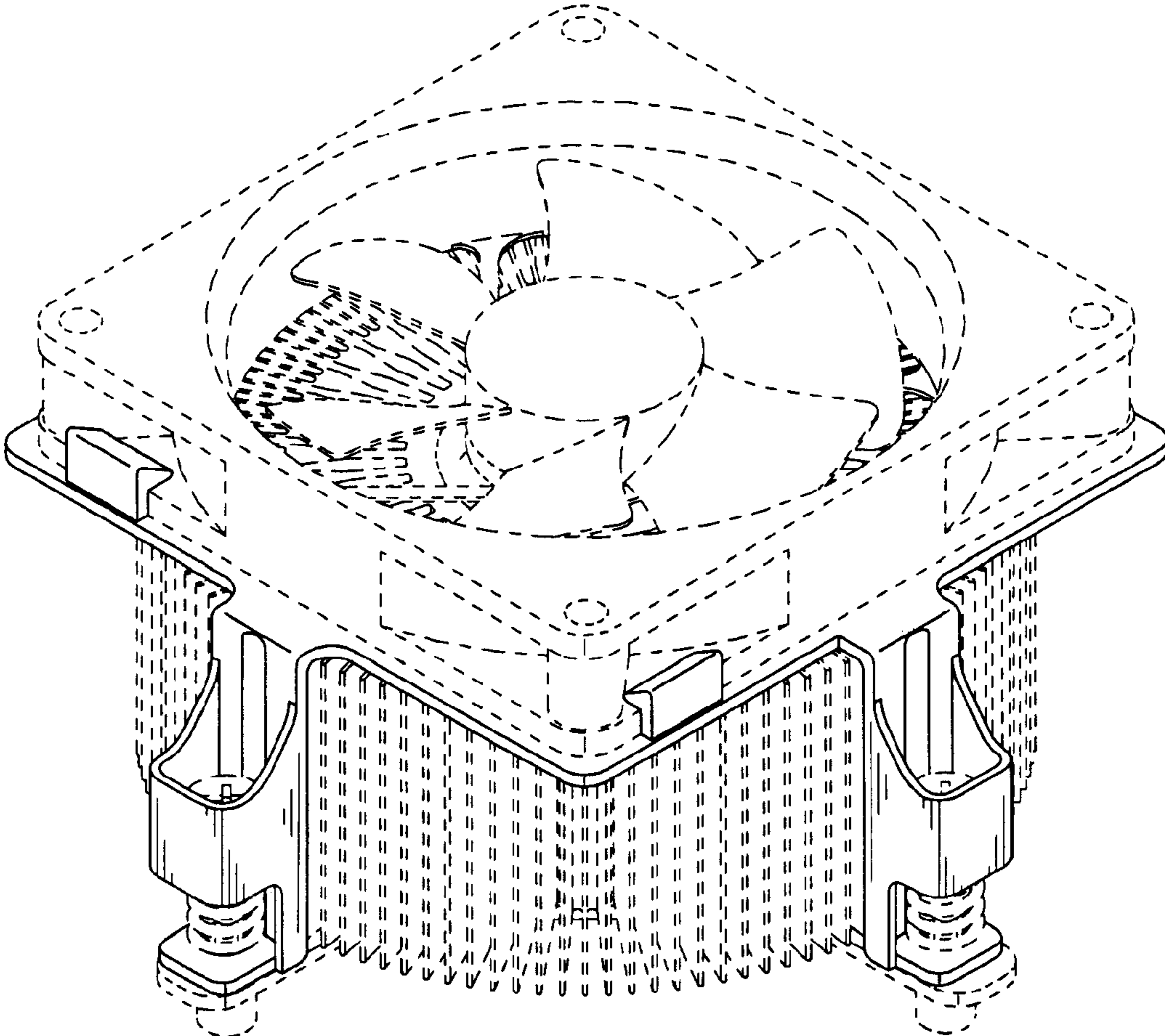


FIG. 8