



US00D555105S

(12) **United States Design Patent**
Victor

(10) **Patent No.:** **US D555,105 S**

(45) **Date of Patent:** **** Nov. 13, 2007**

(54) **LOW END CABLE CONNECTOR ASSEMBLY**

D516,036 S * 2/2006 Nishio et al. D13/147
D519,084 S * 4/2006 Hertel et al. D13/154

(76) Inventor: **Jay Victor**, 2017 Bataan Rd., Unit A,
Redondo Beach, CA (US) 90278

* cited by examiner

(**) Term: **14 Years**

Primary Examiner—Daniel Bui
(74) *Attorney, Agent, or Firm*—Trojan Law Office

(21) Appl. No.: **29/248,278**

(57) **CLAIM**

(22) Filed: **Aug. 7, 2006**

The ornamental design for a low end cable connector assembly, as shown and described.

(51) **LOC (8) Cl.** **13-03**

(52) **U.S. Cl.** **D13/154; D13/133; D13/153;**
D13/147

DESCRIPTION

(58) **Field of Classification Search** D13/133,
D13/146–147, 153–154, 184, 199; 174/72 R;
439/489, 502, 505, 578, 584–585, 625
See application file for complete search history.

FIG. 1 is a front view of a low end cable connector assembly, showing my new design;

FIG. 2 is a top plan view thereof; the bottom plan view thereof is a mirror image thereto;

(56) **References Cited**

U.S. PATENT DOCUMENTS

5,117,479 A * 5/1992 Erdman et al. 385/136
5,209,670 A * 5/1993 Meurer 439/101
5,547,399 A * 8/1996 Naghi et al. 439/623
D405,049 S * 2/1999 Huang et al. D13/133
D449,275 S * 10/2001 Goto D13/147
D450,039 S * 11/2001 Goto D13/147
D515,511 S * 2/2006 Nishio et al. D13/147

FIG. 3 is a top view thereof;

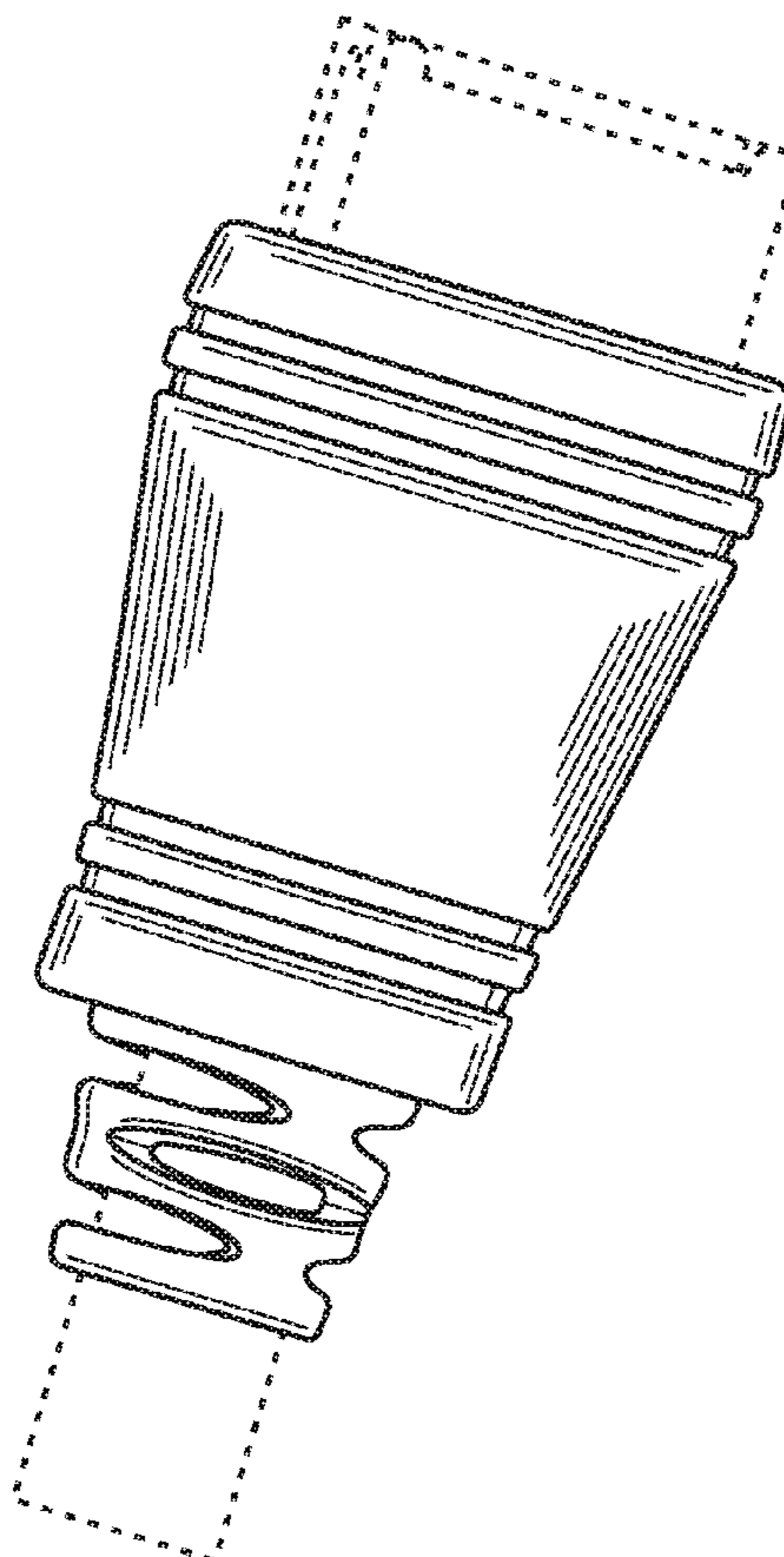
FIG. 4 is a side elevation view thereof;

FIG. 5 is a front elevation view thereof; and,

FIG. 6 is a rear elevation view thereof.

The broken line showing of the environment is for illustrative purposes only and forms no part of the claimed design.

1 Claim, 3 Drawing Sheets



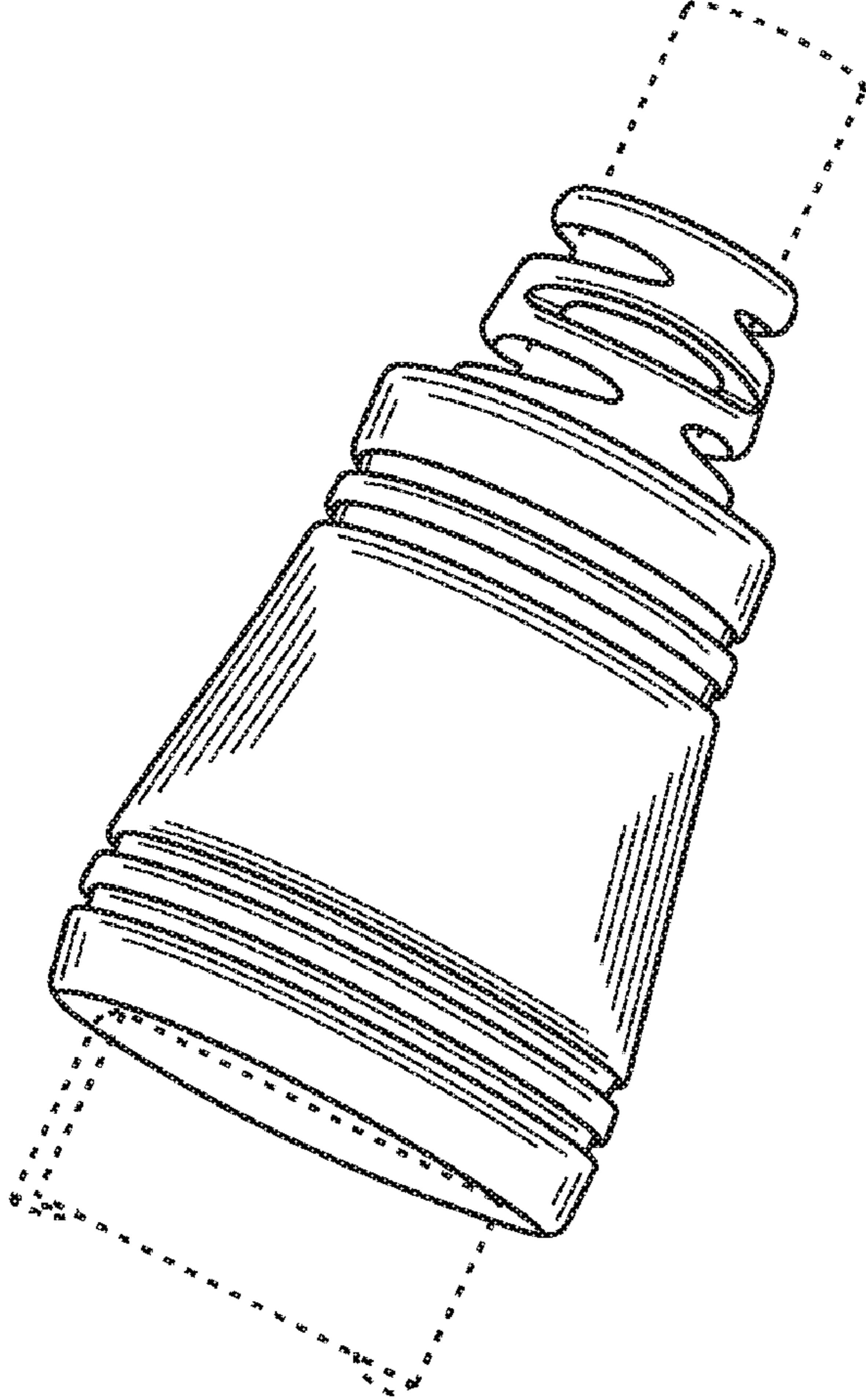


FIG. 1

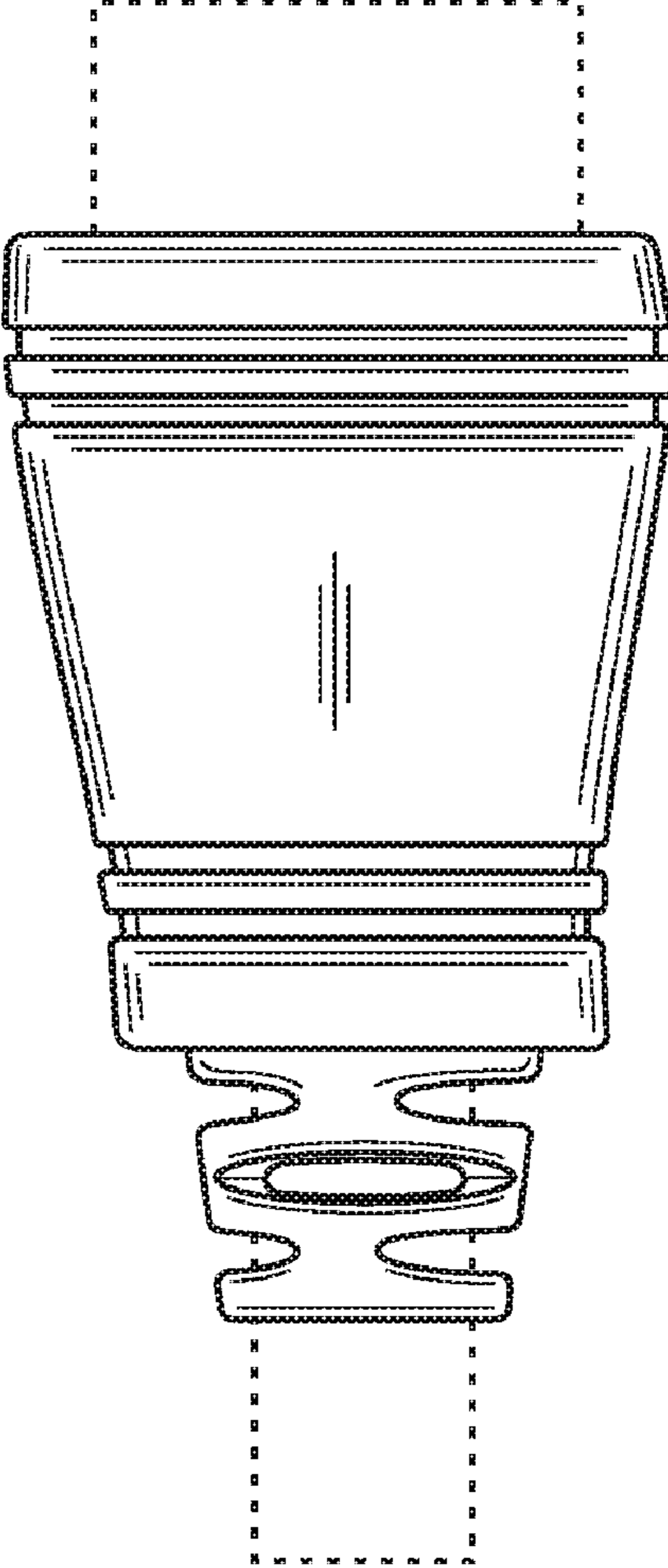


FIG. 2

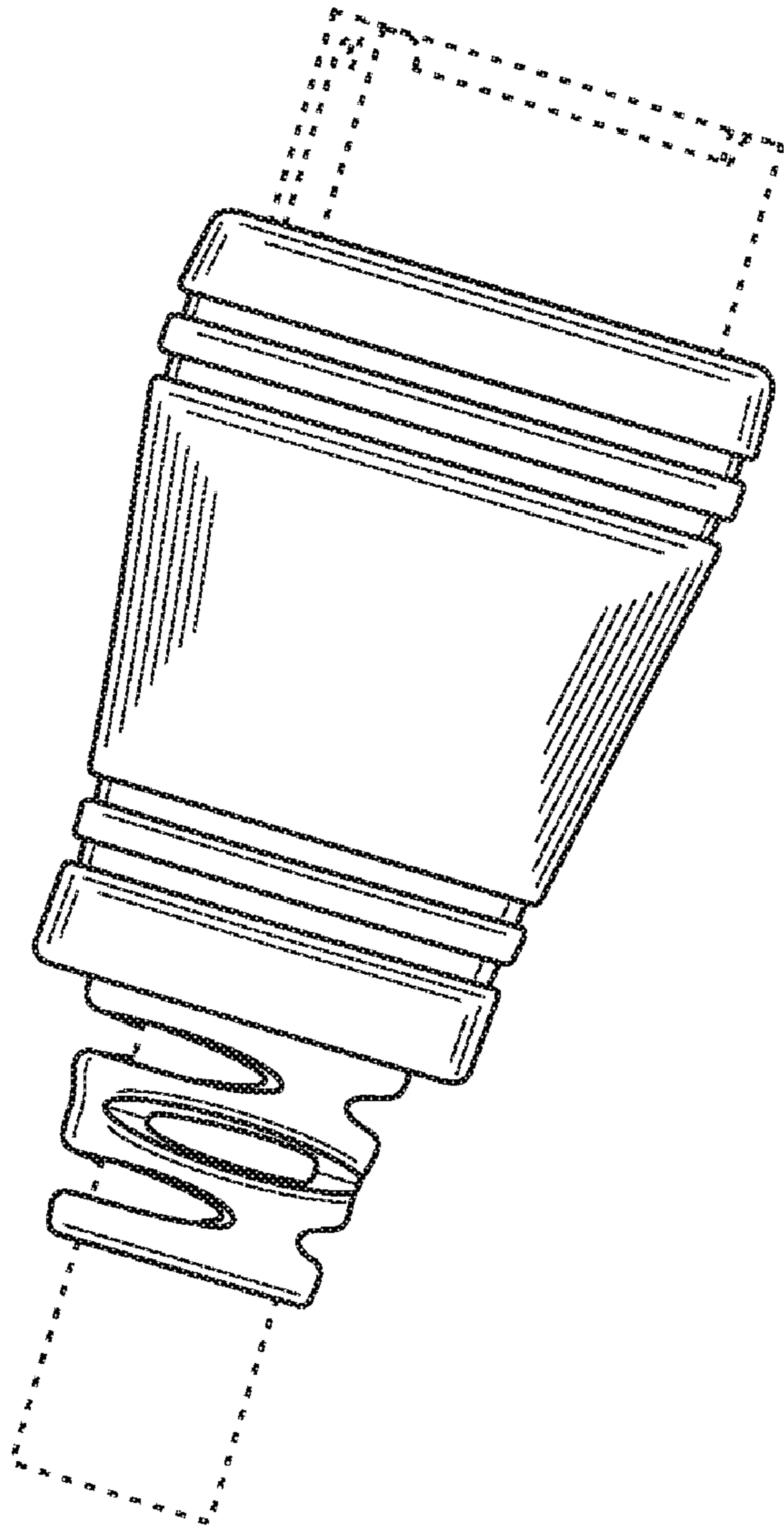


FIG. 3

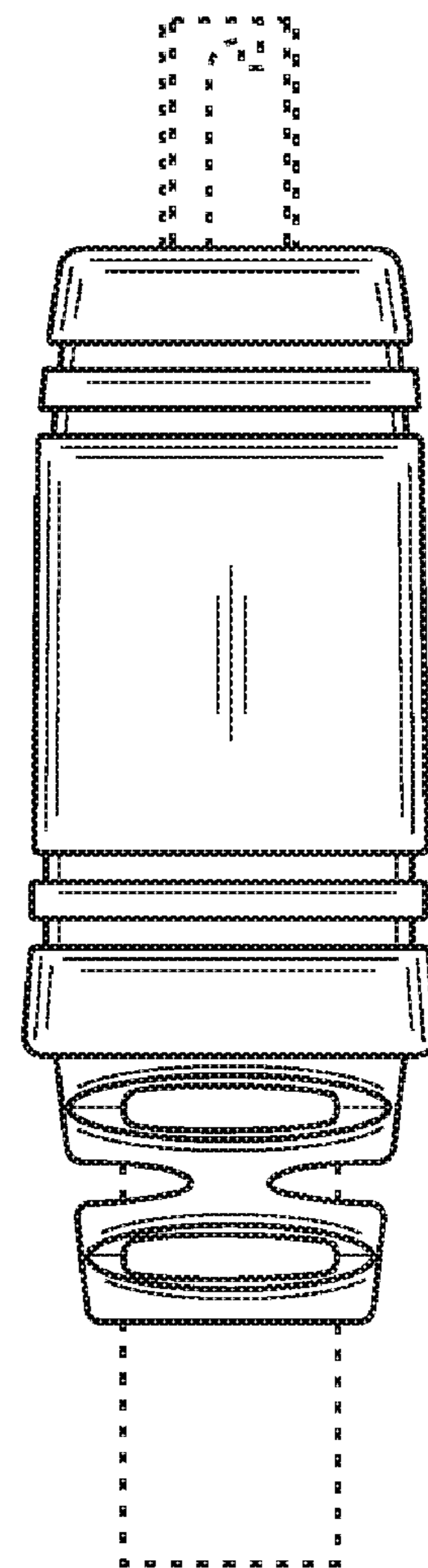


FIG. 4

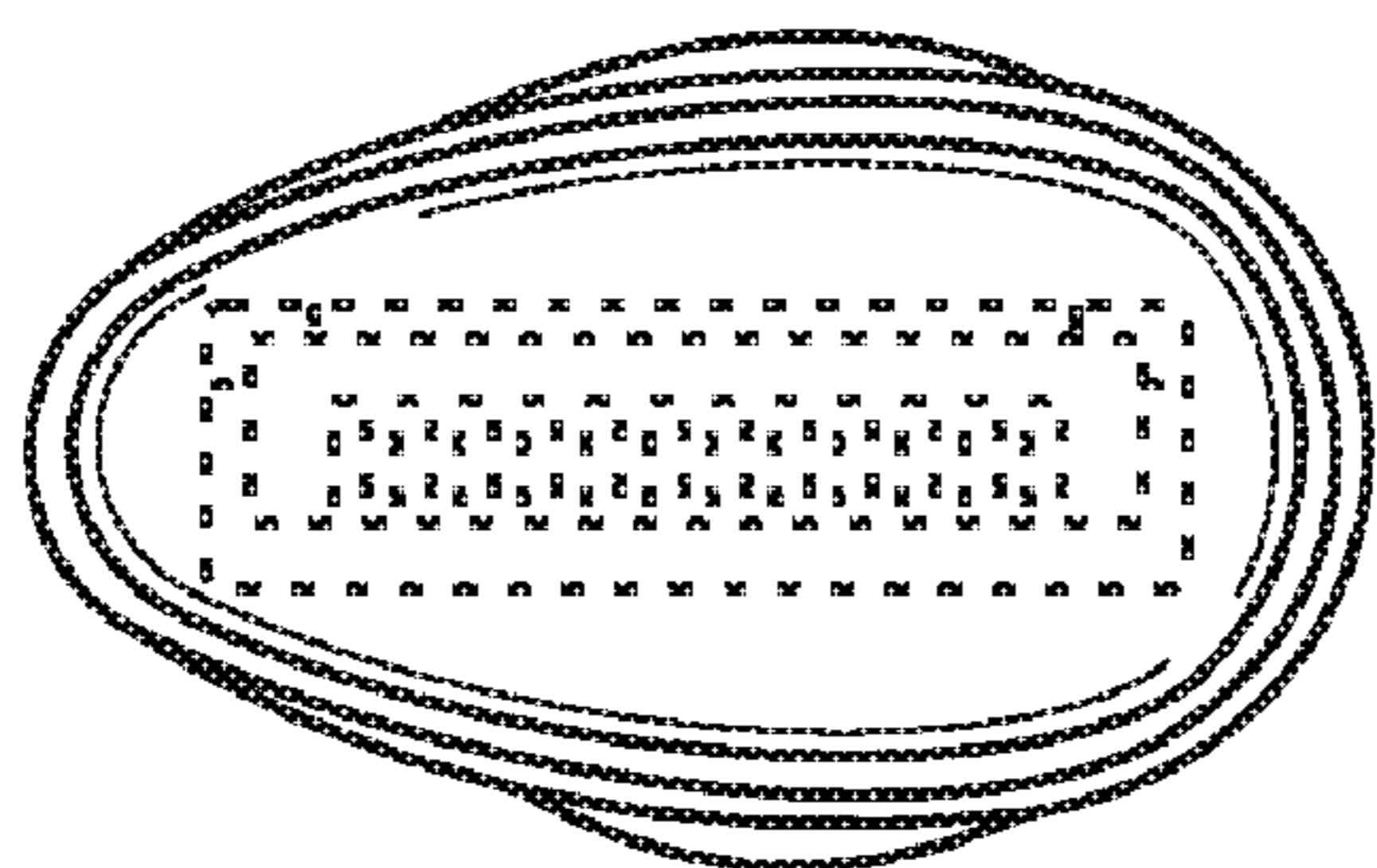


FIG. 5

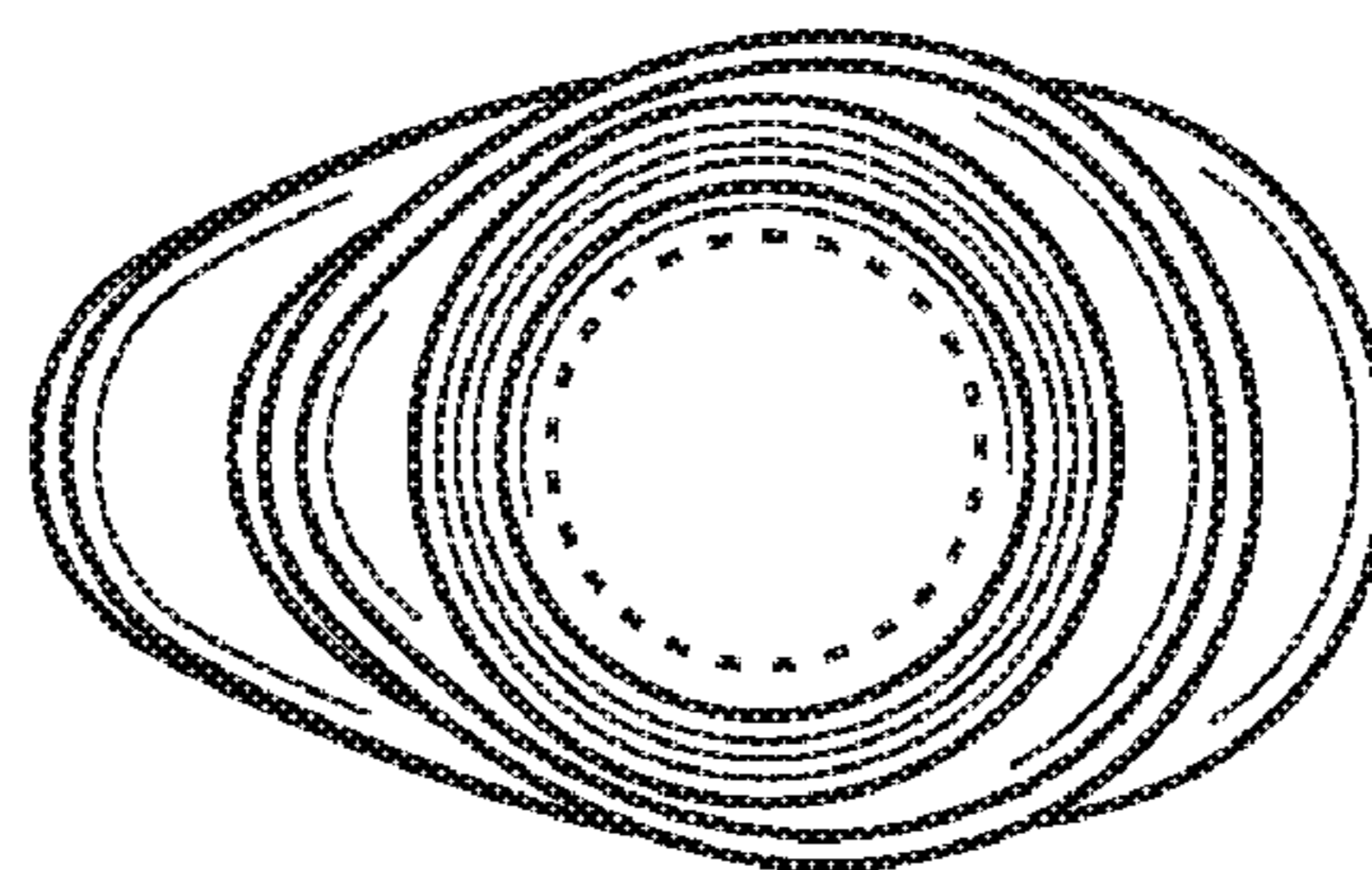


FIG. 6