



US00D555104S

(12) **United States Design Patent**  
**Weitz et al.**

(10) **Patent No.: US D555,104 S**

(45) **Date of Patent: \*\* Nov. 13, 2007**

(54) **CATV TRANSMISSION SYSTEM MODULE**

(75) Inventors: **Ronald Weitz**, Huntington Beach, CA (US); **John Michael Iannelli**, San Marino, CA (US); **Albert Lu**, Hacienda Heights, CA (US); **Veng-Vai Lam**, Alhambra, CA (US)

(73) Assignee: **Emcore Corporation**, Somerset, NJ (US)

(\*\*) Term: **14 Years**

(21) Appl. No.: **29/267,080**

(22) Filed: **Oct. 4, 2006**

**Related U.S. Application Data**

(62) Division of application No. 29/208,958, filed on Jul. 8, 2004, now Pat. No. Des. 537,044.

(51) **LOC (8) Cl.** ..... **13-03**

(52) **U.S. Cl.** ..... **D13/151; D13/146; D13/153**

(58) **Field of Classification Search** ..... D13/162, D13/118, 122, 123, 179, 151, 146, 153; 361/728, 361/729, 736, 740, 752, 627; 439/761, 341, 439/364, 729, 736, 928; D14/125-134, 358, D14/239

See application file for complete search history.

(56) **References Cited**

**U.S. PATENT DOCUMENTS**

D274,615 S \* 7/1984 Bean et al. .... D13/162

D281,493 S \* 11/1985 Prager et al. .... D13/162.1  
D288,803 S \* 3/1987 Capawana ..... D13/182  
D338,448 S \* 8/1993 Onyszko ..... D13/162  
D464,326 S \* 10/2002 Clark et al. .... D13/162

\* cited by examiner

*Primary Examiner*—Raphael Barkai

*Assistant Examiner*—Randall H Gholson

(74) *Attorney, Agent, or Firm*—Welsh & Katz, Ltd.

(57) **CLAIM**

The ornamental design for a CATV transmission system module, as shown and described.

**DESCRIPTION**

FIG. 1 is a front elevational view of the CATV transmission system module Design, drawn to a larger scale than the remaining figures;

FIG. 2 is a left side elevational view thereof;

FIG. 3 is a top elevational view thereof;

FIG. 4 is a bottom elevational view thereof;

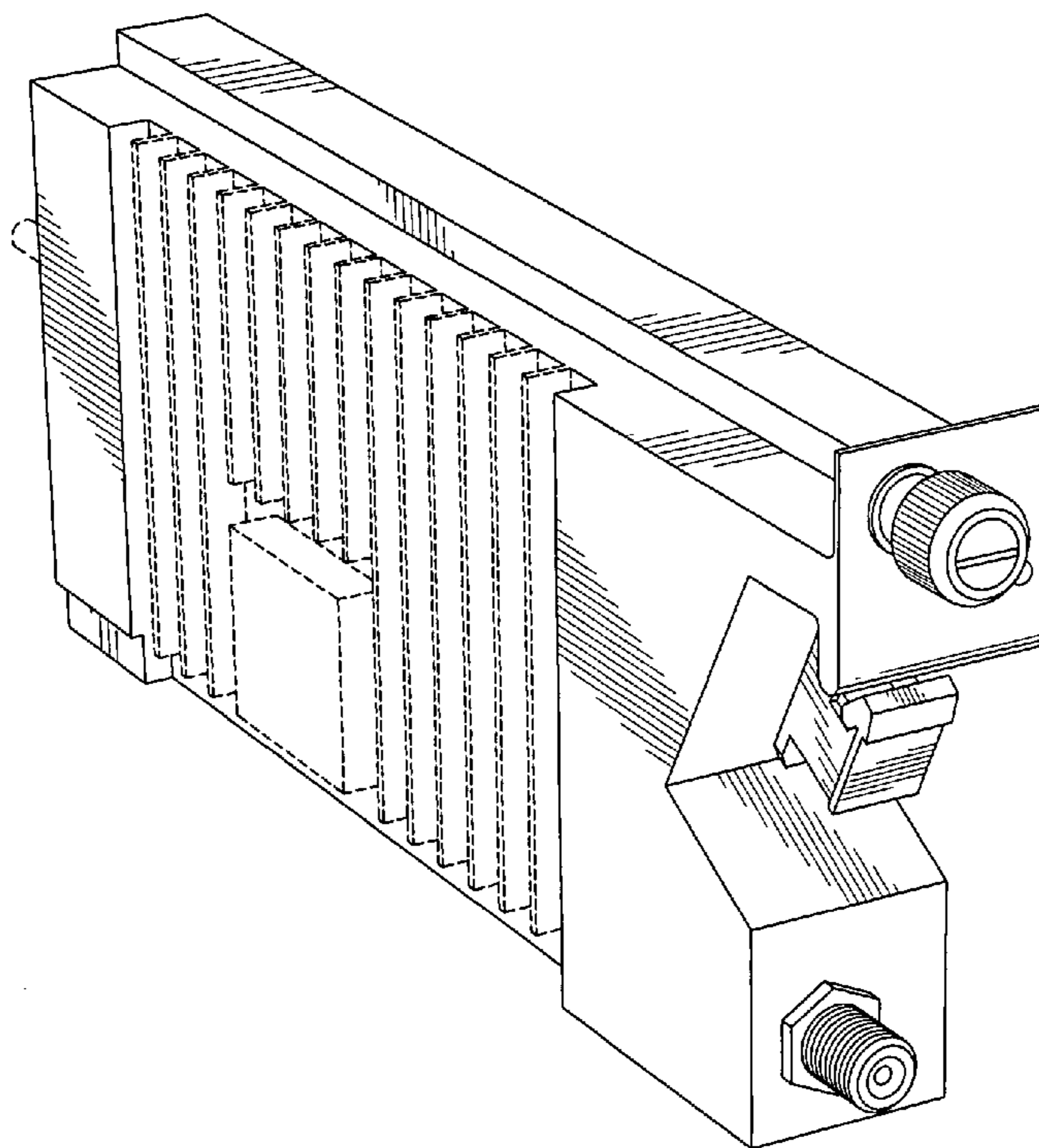
FIG. 5 is a right side elevational view thereof;

FIG. 6 is a top elevational view thereof; and,

FIG. 7 is a perspective view thereof.

The portions of the design shown in broken lines form no part of the claimed design.

**1 Claim, 4 Drawing Sheets**



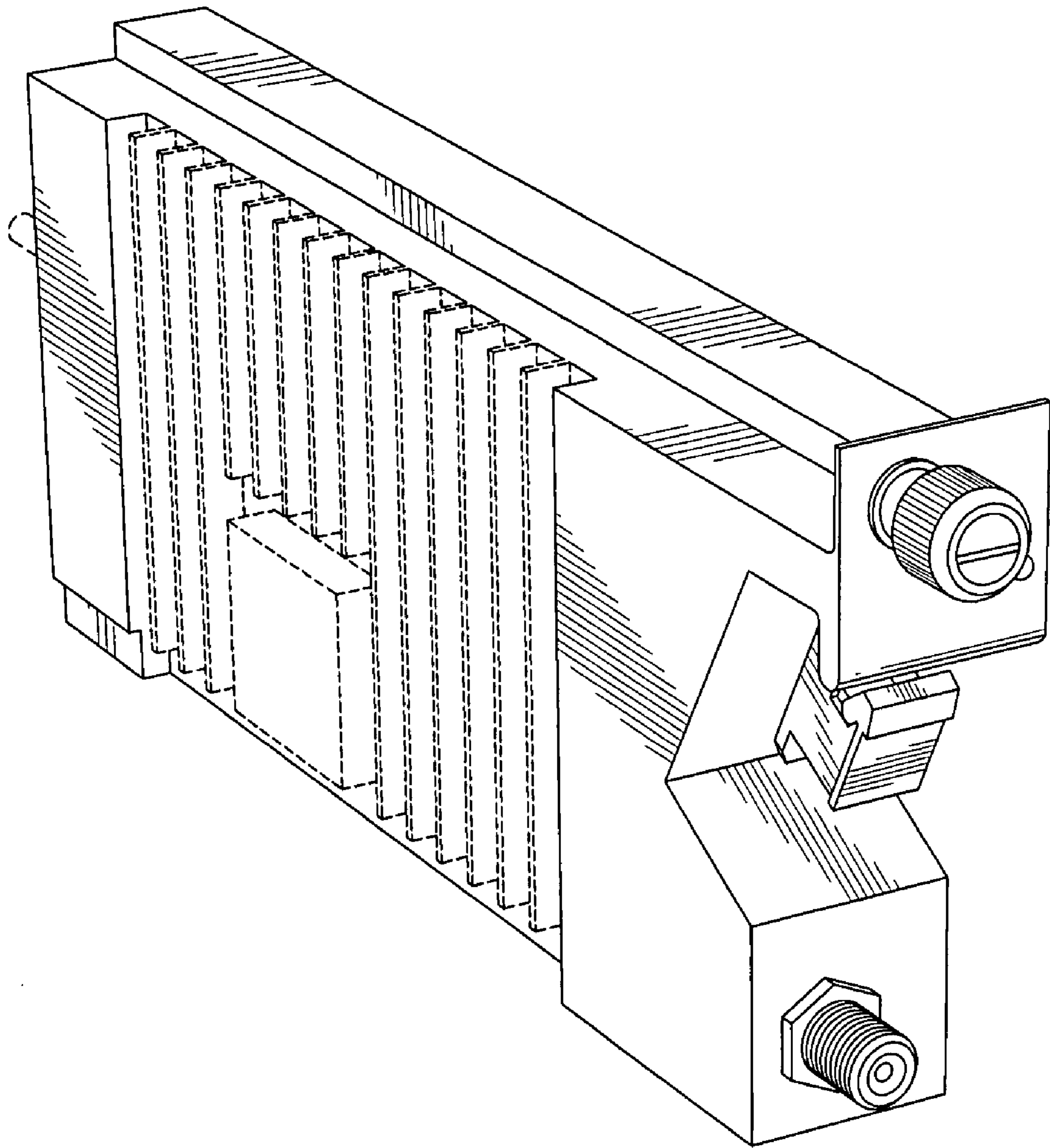


FIG. 1

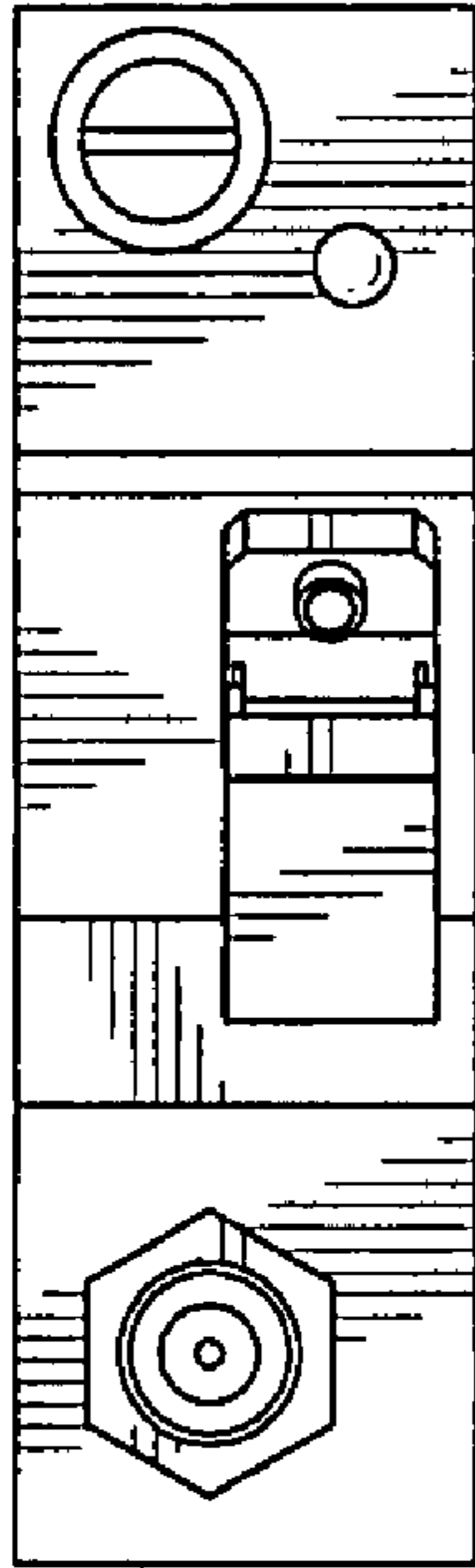


FIG. 2

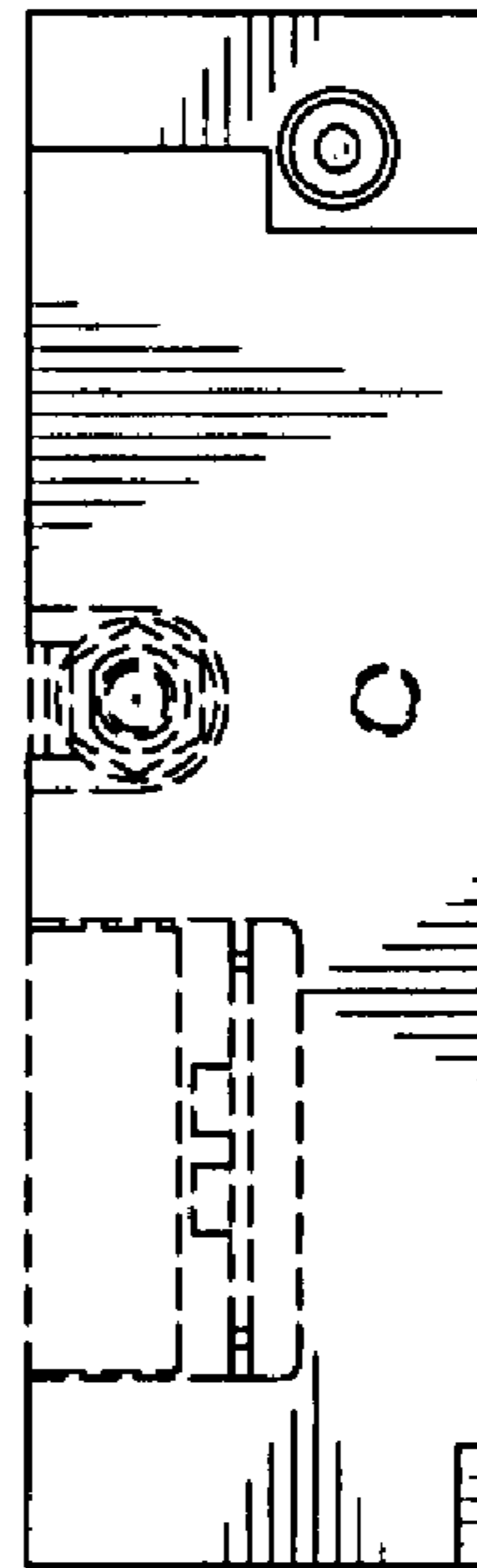


FIG. 3

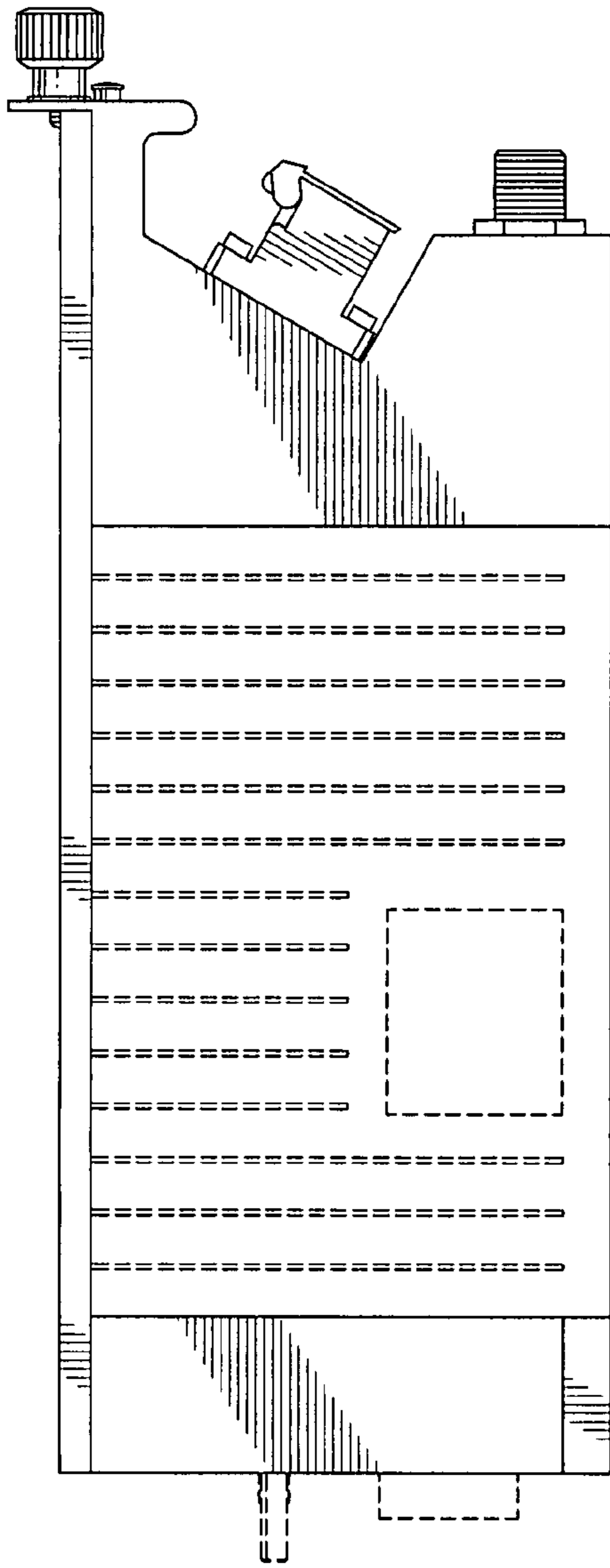


FIG. 4

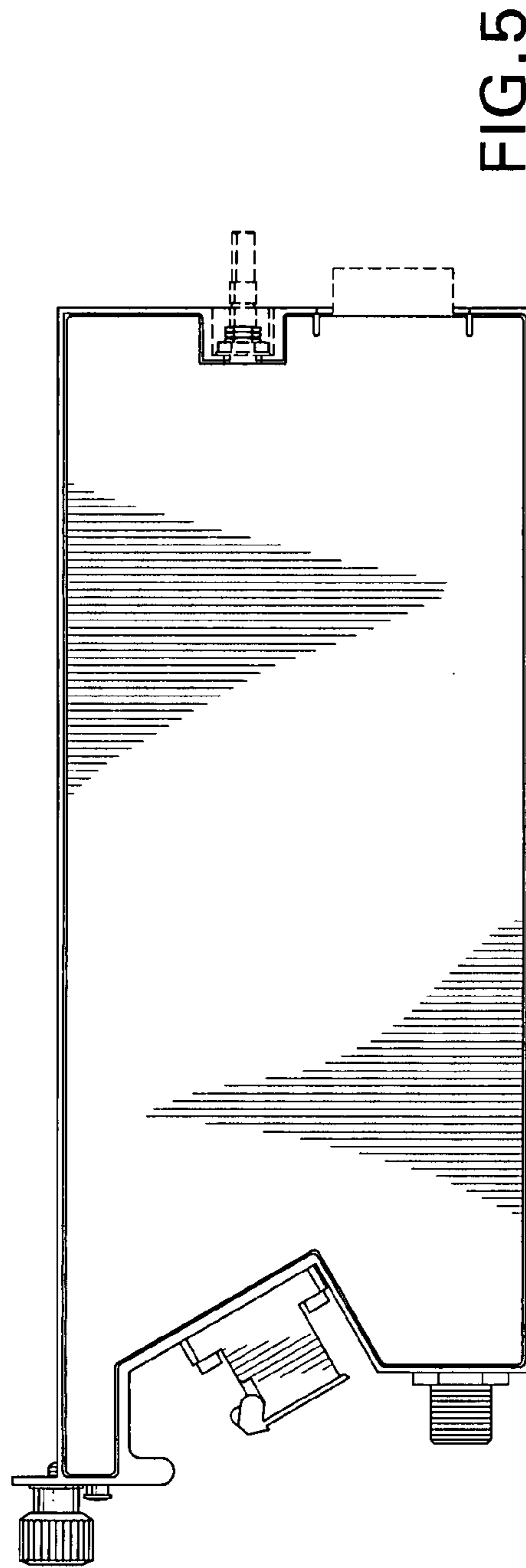


FIG. 5

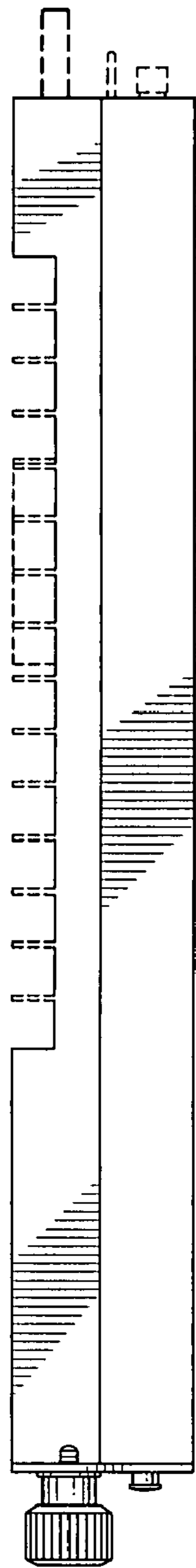


FIG. 6

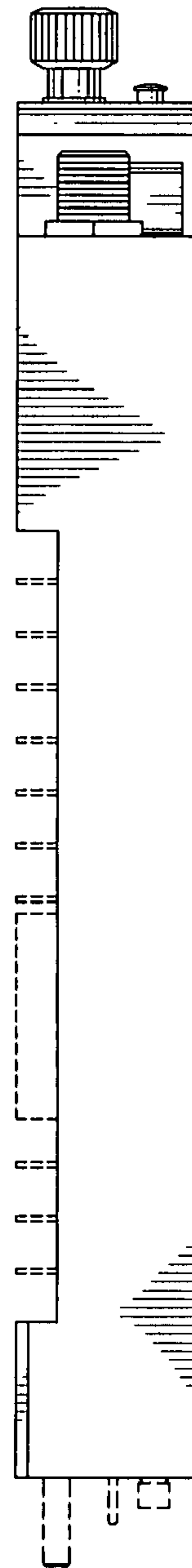


FIG. 7