



US00D555103S

(12) **United States Design Patent**  
**Iino et al.**

(10) **Patent No.:** **US D555,103 S**

(45) **Date of Patent:** **\*\* Nov. 13, 2007**

(54) **ELECTRICAL CONNECTOR**

(75) Inventors: **Koichi Iino**, Yokohama (JP); **Guo-Jian Shen**, Kunshan (CN)

(73) Assignee: **Hon Hai Precision Ind. Co., Ltd.**,  
Taipei Hsien (TW)

(\*\*) Term: **14 Years**

(21) Appl. No.: **29/272,388**

(22) Filed: **Feb. 7, 2007**

(30) **Foreign Application Priority Data**

Nov. 16, 2006 (CN) ..... 2006 3 0192769

(51) **LOC (8) Cl.** ..... **13-03**

(52) **U.S. Cl.** ..... **D13/147**

(58) **Field of Classification Search** ..... D13/133,  
D13/146-147, 153, 154, 184, 199; 439/79,  
439/607-610, 660, 680-682, 686  
See application file for complete search history.

(56) **References Cited**

**U.S. PATENT DOCUMENTS**

D408,788 S \* 4/1999 Homma ..... D13/147  
D416,863 S \* 11/1999 Sato et al. .... D13/147

D465,202 S \* 11/2002 Kubota ..... D13/147  
D481,360 S \* 10/2003 Kuroki et al. .... D13/147  
D488,446 S \* 4/2004 Sato ..... D13/147  
D491,533 S \* 6/2004 Ko ..... D13/147  
D518,782 S \* 4/2006 Su ..... D13/147  
D519,461 S \* 4/2006 Su ..... D13/147

\* cited by examiner

*Primary Examiner*—Daniel Bui  
(74) *Attorney, Agent, or Firm*—Wei Te Chung

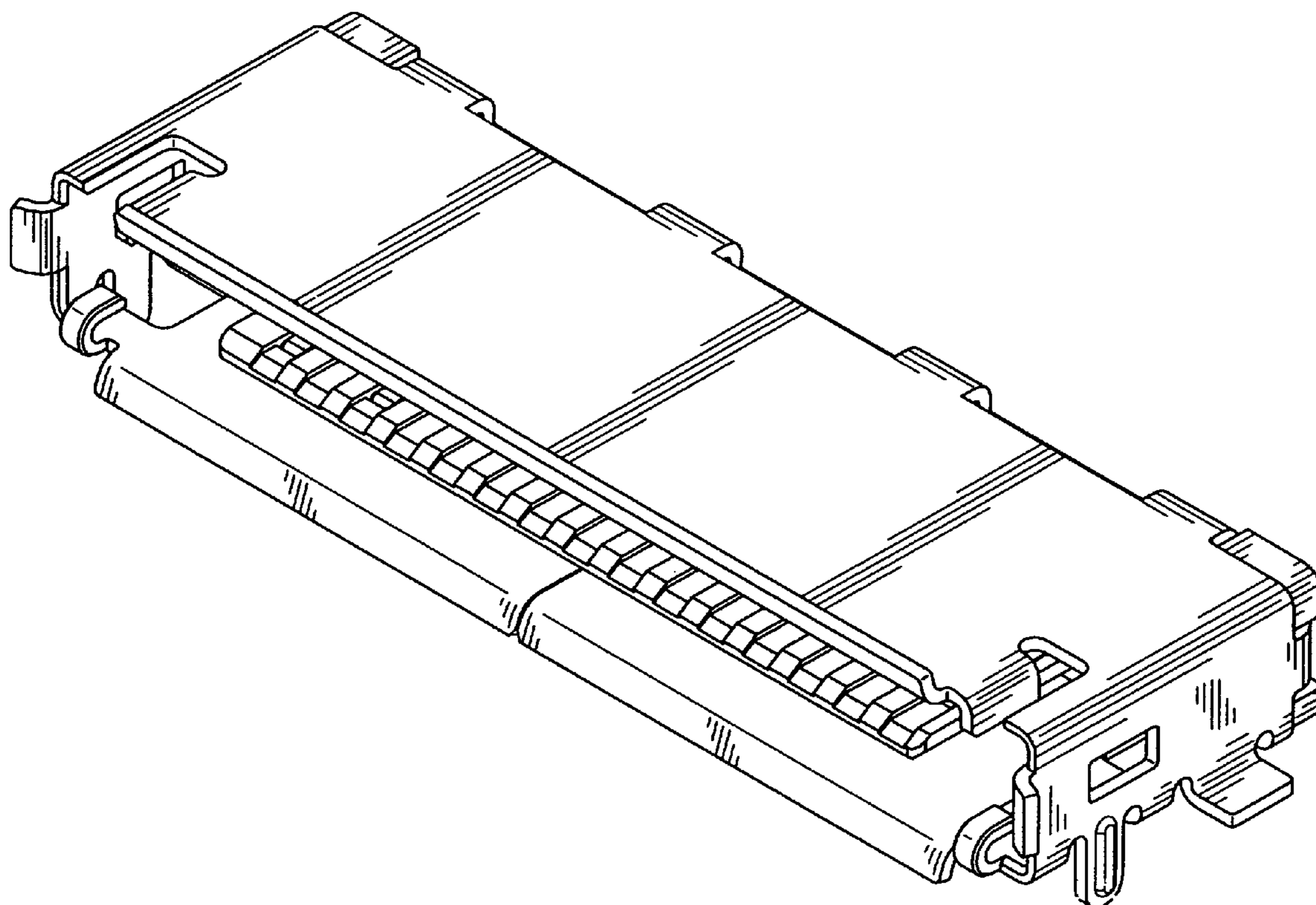
(57) **CLAIM**

The ornamental design for an electrical connector, as shown.

**DESCRIPTION**

FIG. 1 is a front, top and right side perspective view of an electrical connector showing our new design;  
FIG. 2 is a front elevational view thereof;  
FIG. 3 is a rear elevational view thereof;  
FIG. 4 is a left side elevational view thereof;  
FIG. 5 is a right side elevational view thereof;  
FIG. 6 is a top plan view thereof; and,  
FIG. 7 is a bottom plan view thereof.

**1 Claim, 6 Drawing Sheets**



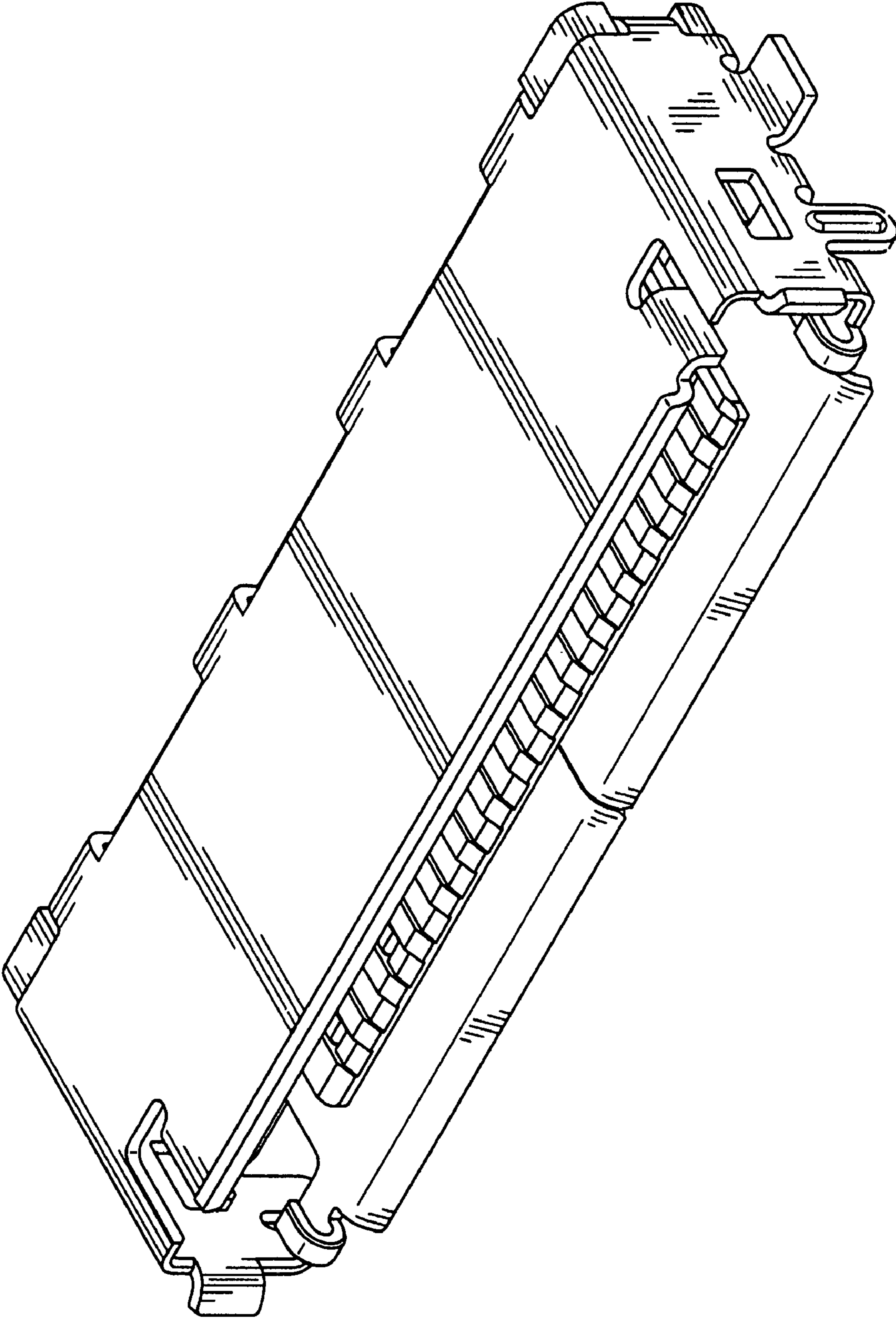


FIG. 1

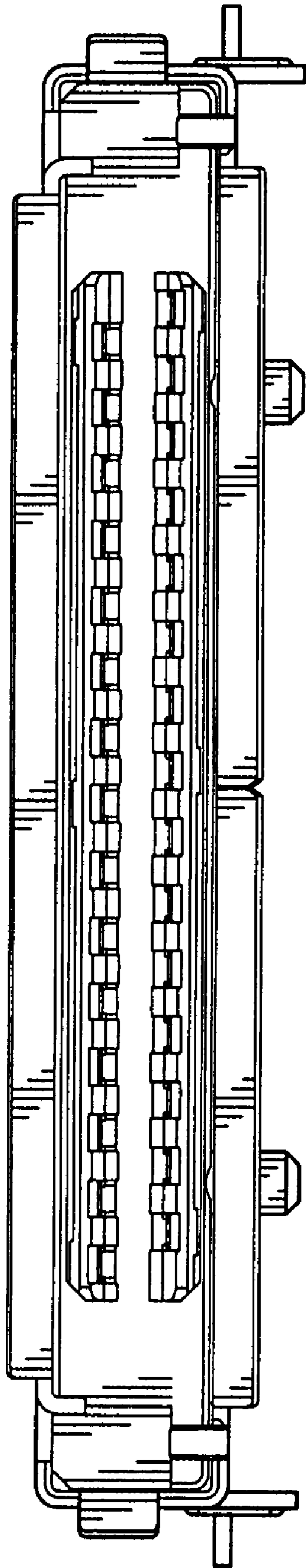


FIG. 2

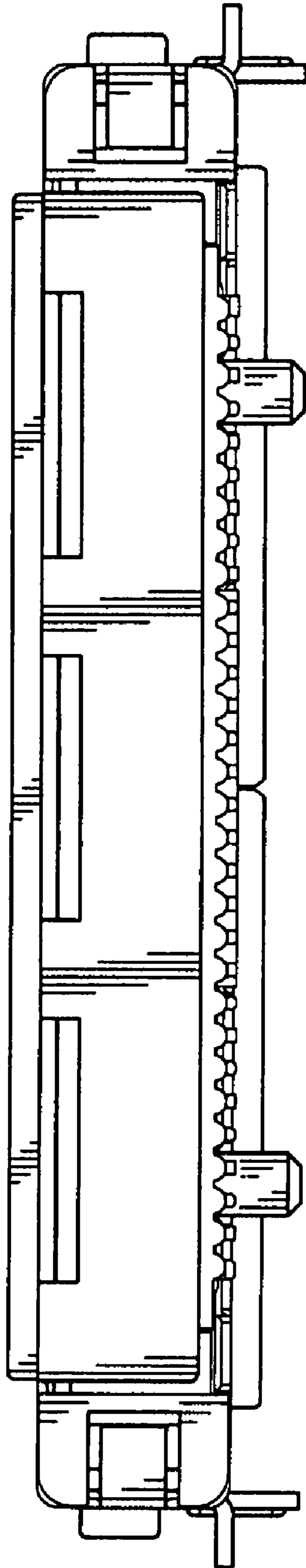


FIG. 3

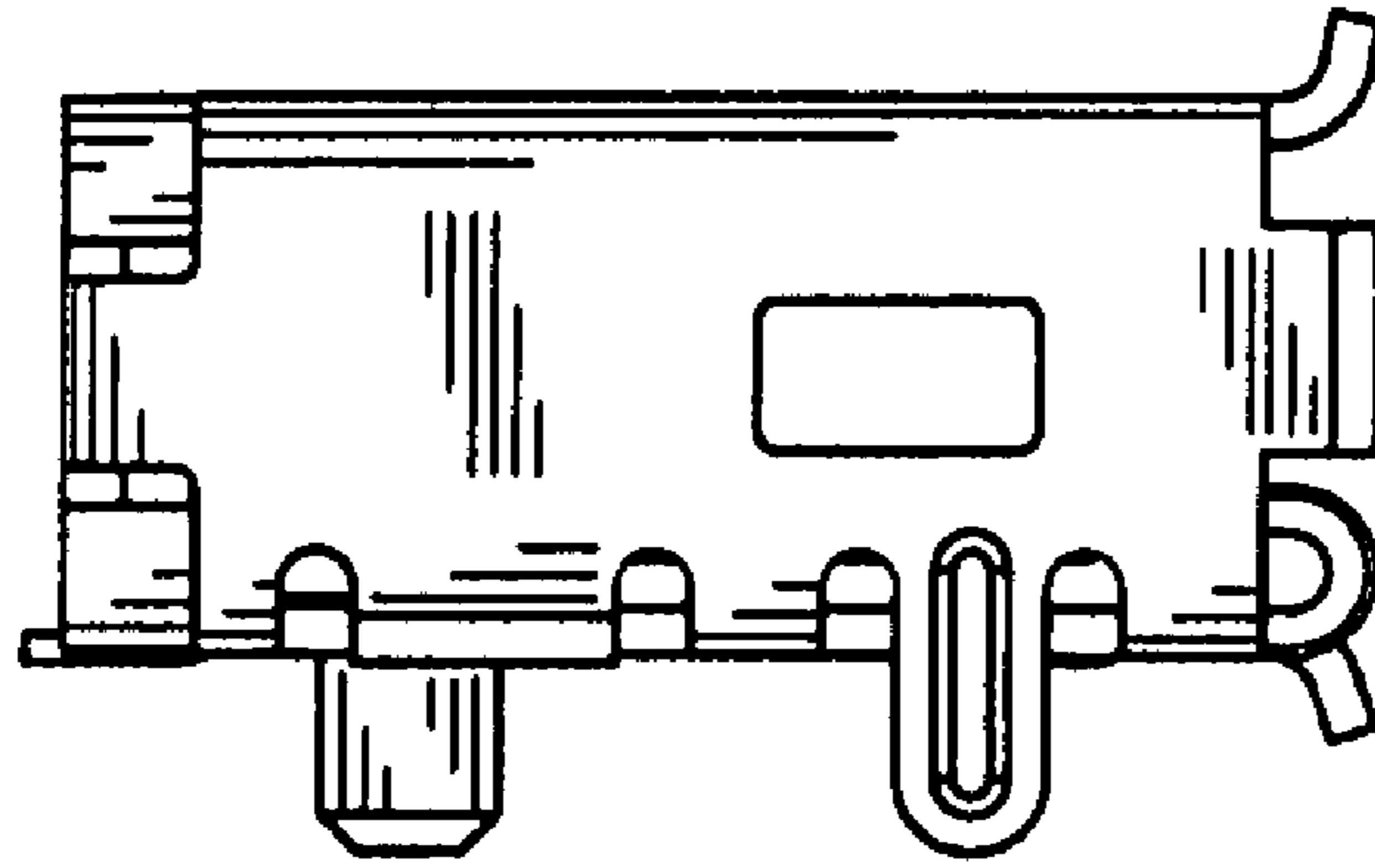


FIG. 4

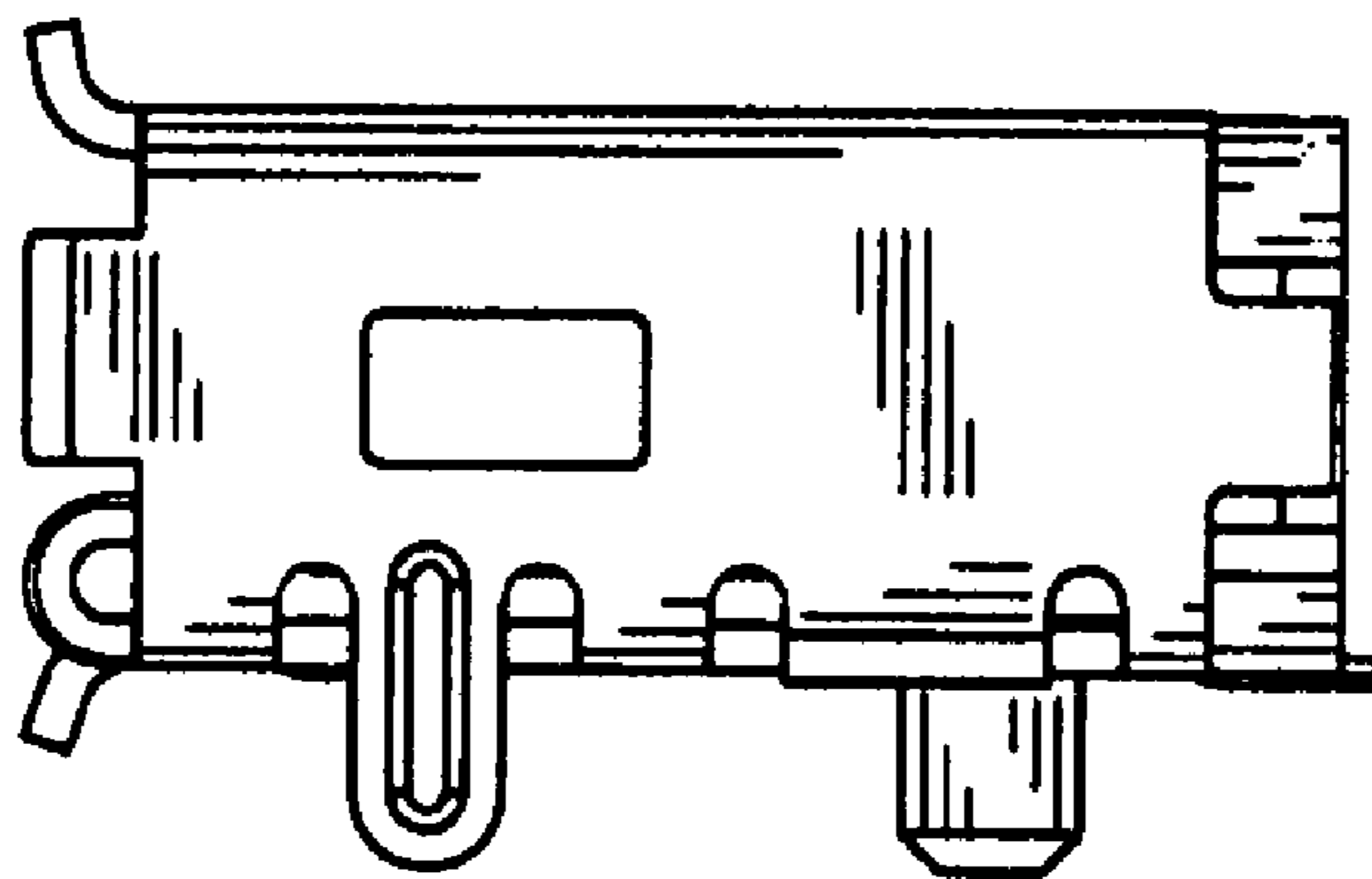


FIG. 5

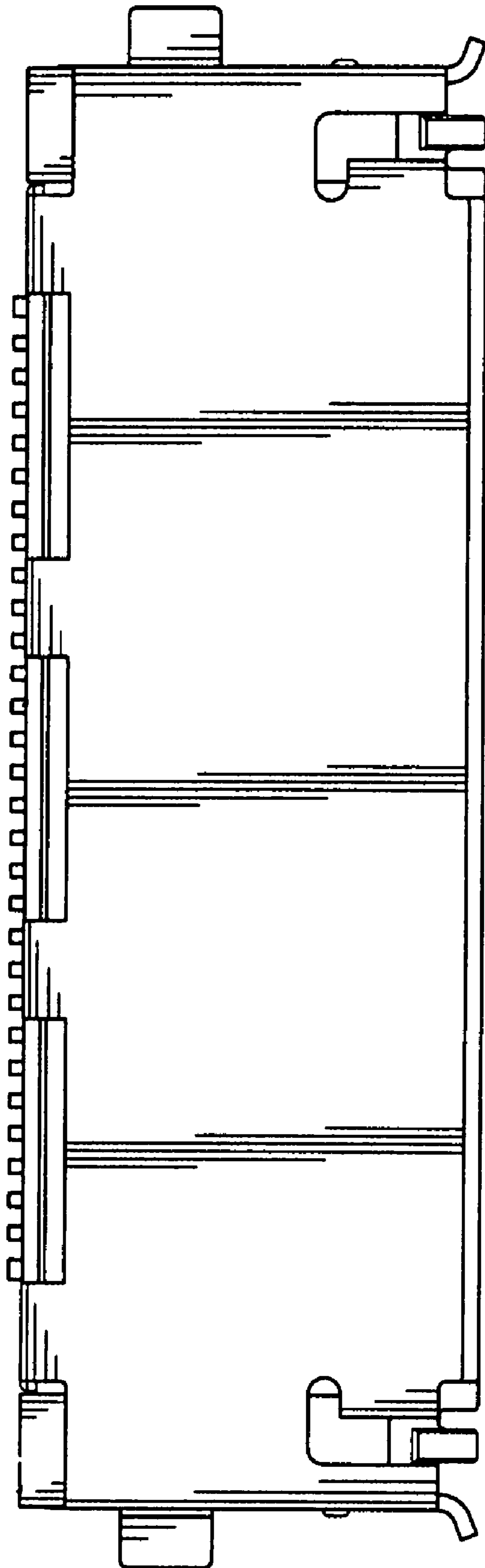


FIG. 6

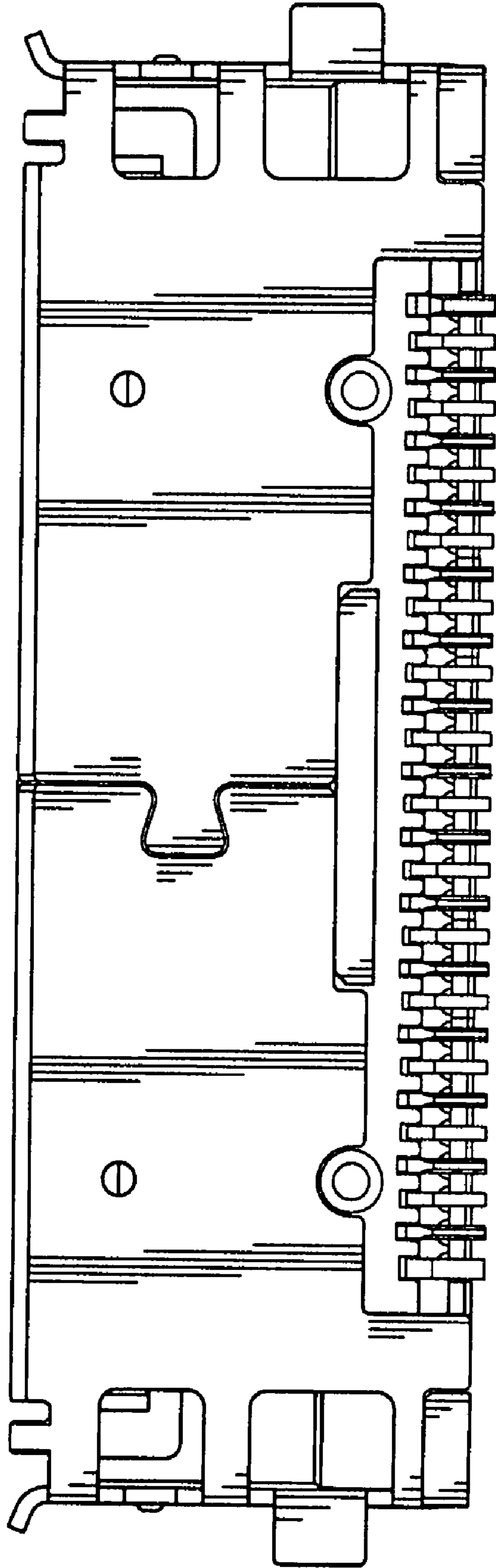


FIG. 7