



US00D555102S

(12) **United States Design Patent**
Xiao et al.

(10) **Patent No.:** **US D555,102 S**

(45) **Date of Patent:** **** Nov. 13, 2007**

(54) **ELECTRICAL CONNECTOR**

(75) Inventors: **Xue-Yuan Xiao**, Kunshan (CN);
Guo-Hua Zhang, Kunshan (CN);
Jin-Kui Hu, Kunshan (CN)

(73) Assignee: **Hon Hai Precision Ind. Co., Ltd.**,
Taipei Hsien (TW)

(**) Term: **14 Years**

(21) Appl. No.: **29/267,070**

(22) Filed: **Oct. 4, 2006**

(30) **Foreign Application Priority Data**

Apr. 25, 2006 (CN) 2006 3 0085260

(51) **LOC (8) Cl.** **13-03**

(52) **U.S. Cl.** **D13/147**

(58) **Field of Classification Search** D13/133,
D13/146-147, 154, 184, 199; 439/79, 108,
439/278, 374, 377, 540.1, 541.5, 638, 660,
439/607-610, 680-682, 883, 891, 894
See application file for complete search history.

(56) **References Cited**

U.S. PATENT DOCUMENTS

D378,510 S * 3/1997 Tan et al. D13/147
D414,464 S * 9/1999 Wu D13/146
D419,134 S * 1/2000 Chen D13/146

D442,145 S * 5/2001 Zheng et al. D13/147
6,368,151 B1 * 4/2002 Chen et al. 439/541.5
D464,936 S * 10/2002 Hu et al. D13/147
D480,687 S * 10/2003 Zhu et al. D13/147
D491,146 S * 6/2004 Hu et al. D13/147

* cited by examiner

Primary Examiner—Daniel Bui

(74) *Attorney, Agent, or Firm*—Wei Te Chung

(57) **CLAIM**

The ornamental design for an electrical connector, as shown and described.

DESCRIPTION

FIG. 1 is a front, top and right side perspective view of an electrical connector showing our new design;

FIG. 2 is a front elevational view thereof;

FIG. 3 is a rear elevational view thereof;

FIG. 4 is a left side elevational view thereof;

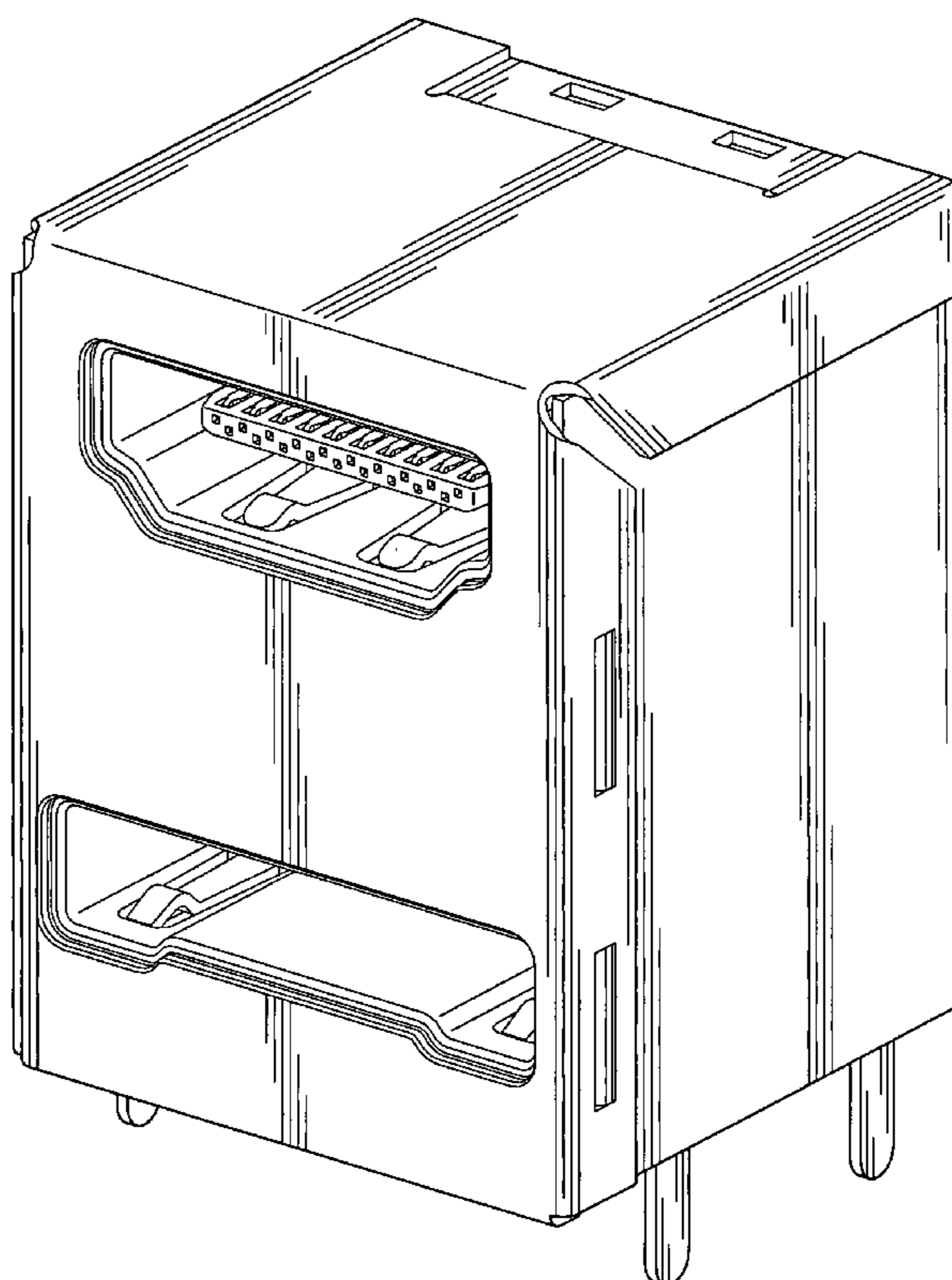
FIG. 5 is a right side elevational view thereof;

FIG. 6 is a top plan view thereof; and,

FIG. 7 is a bottom plan view thereof.

The broken lines in FIG. 2 are included for the purpose of illustrating portions of the electrical connector that forms no part of the claimed design.

1 Claim, 7 Drawing Sheets



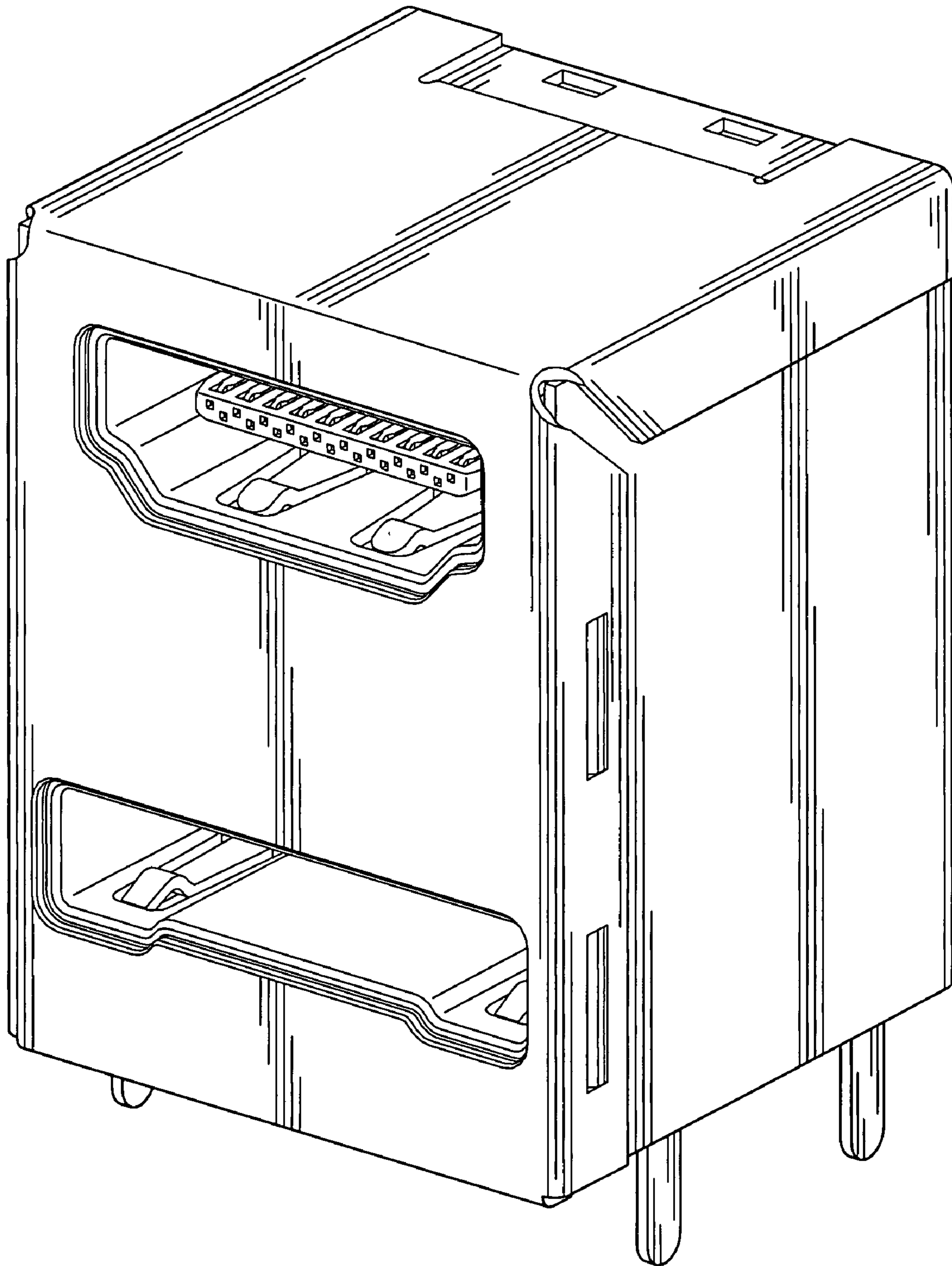


FIG. 1

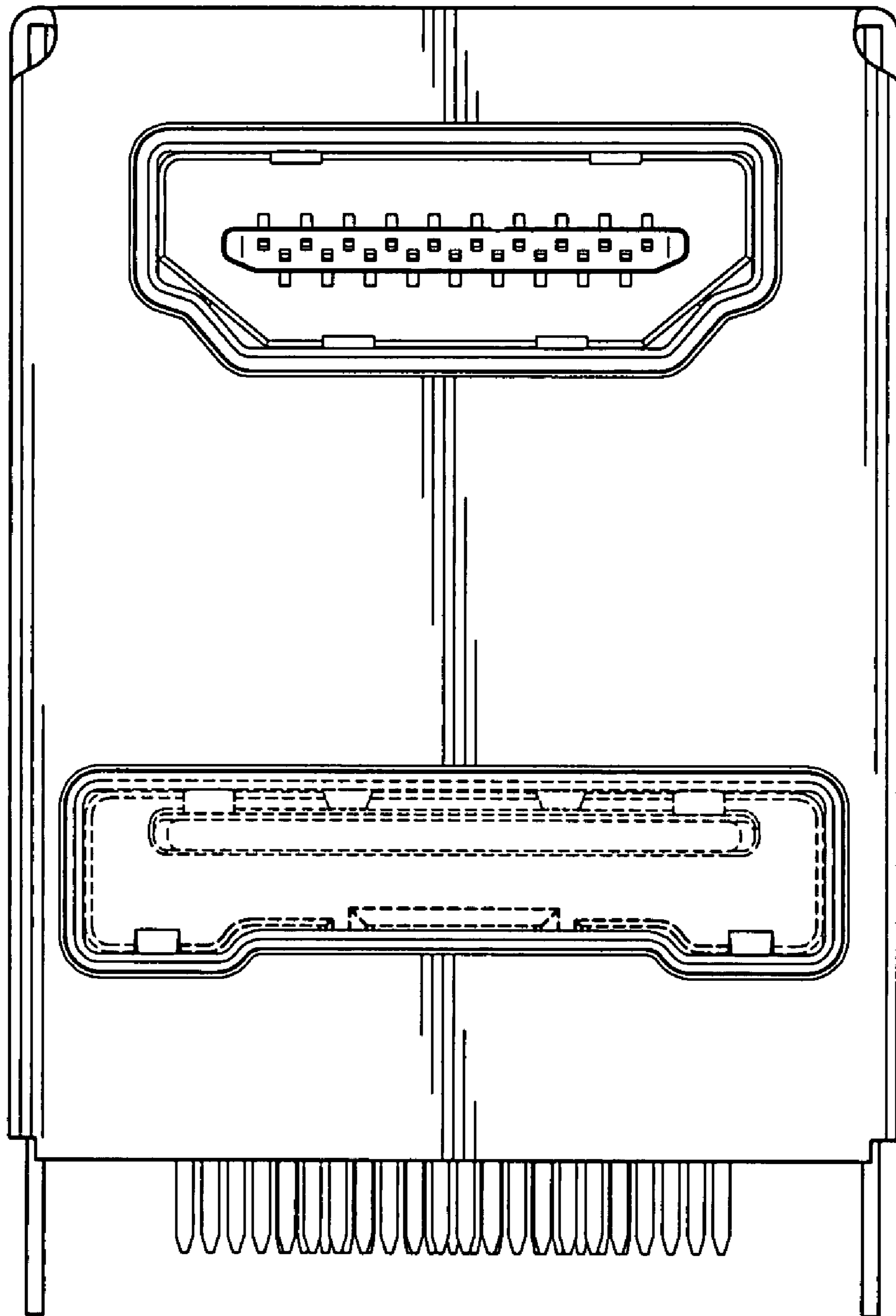


FIG. 2

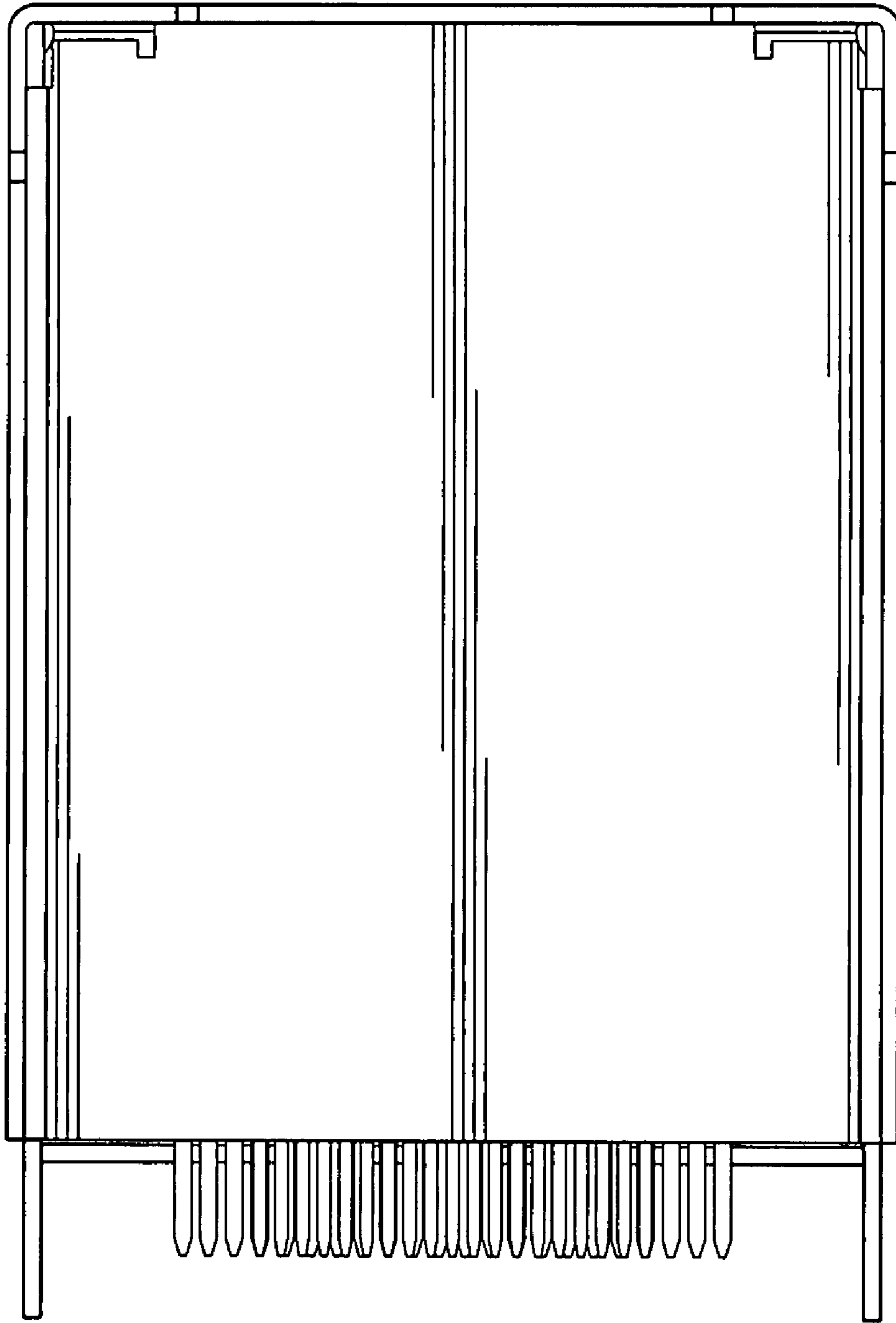


FIG. 3

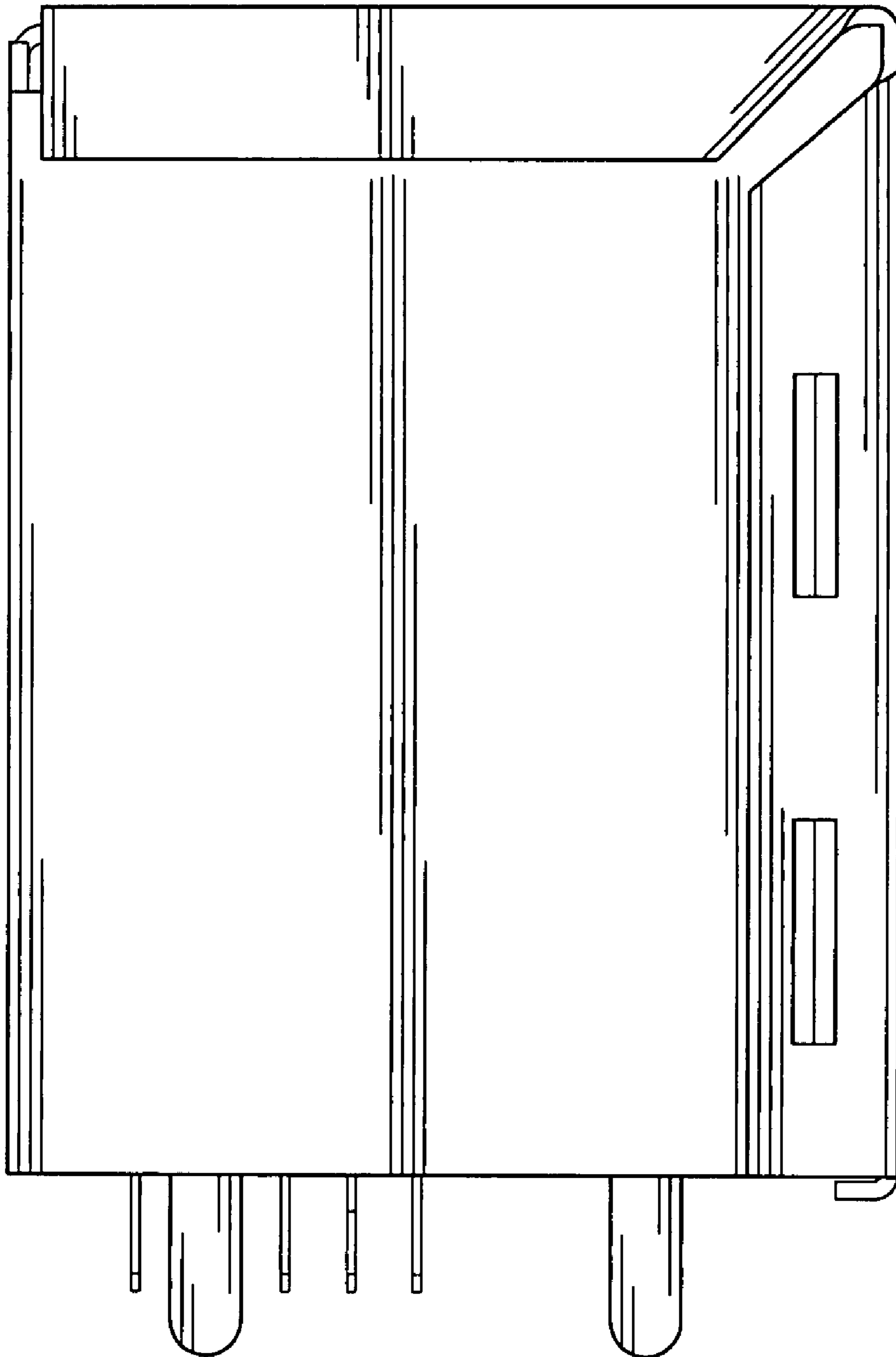


FIG. 4

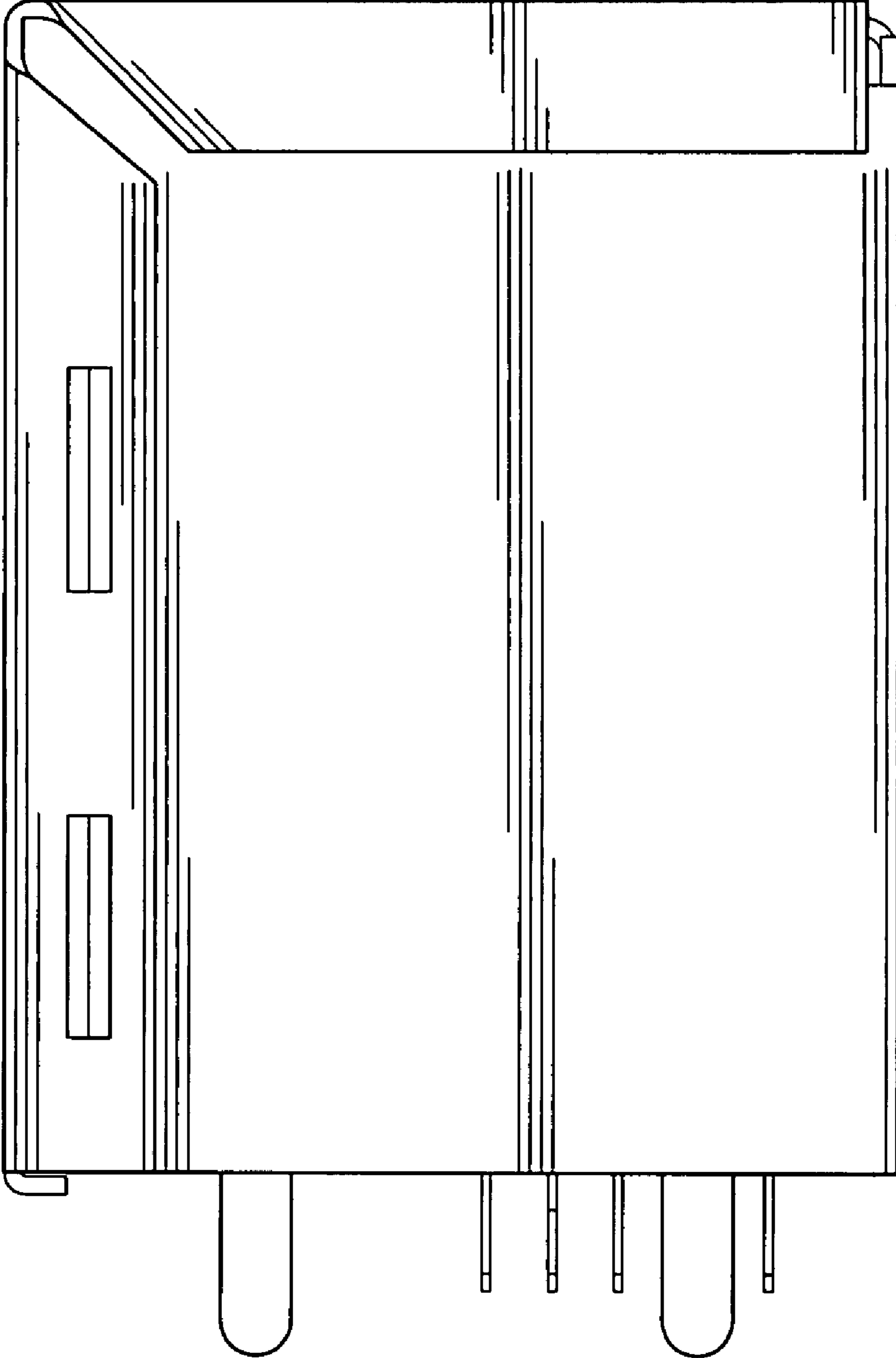


FIG. 5

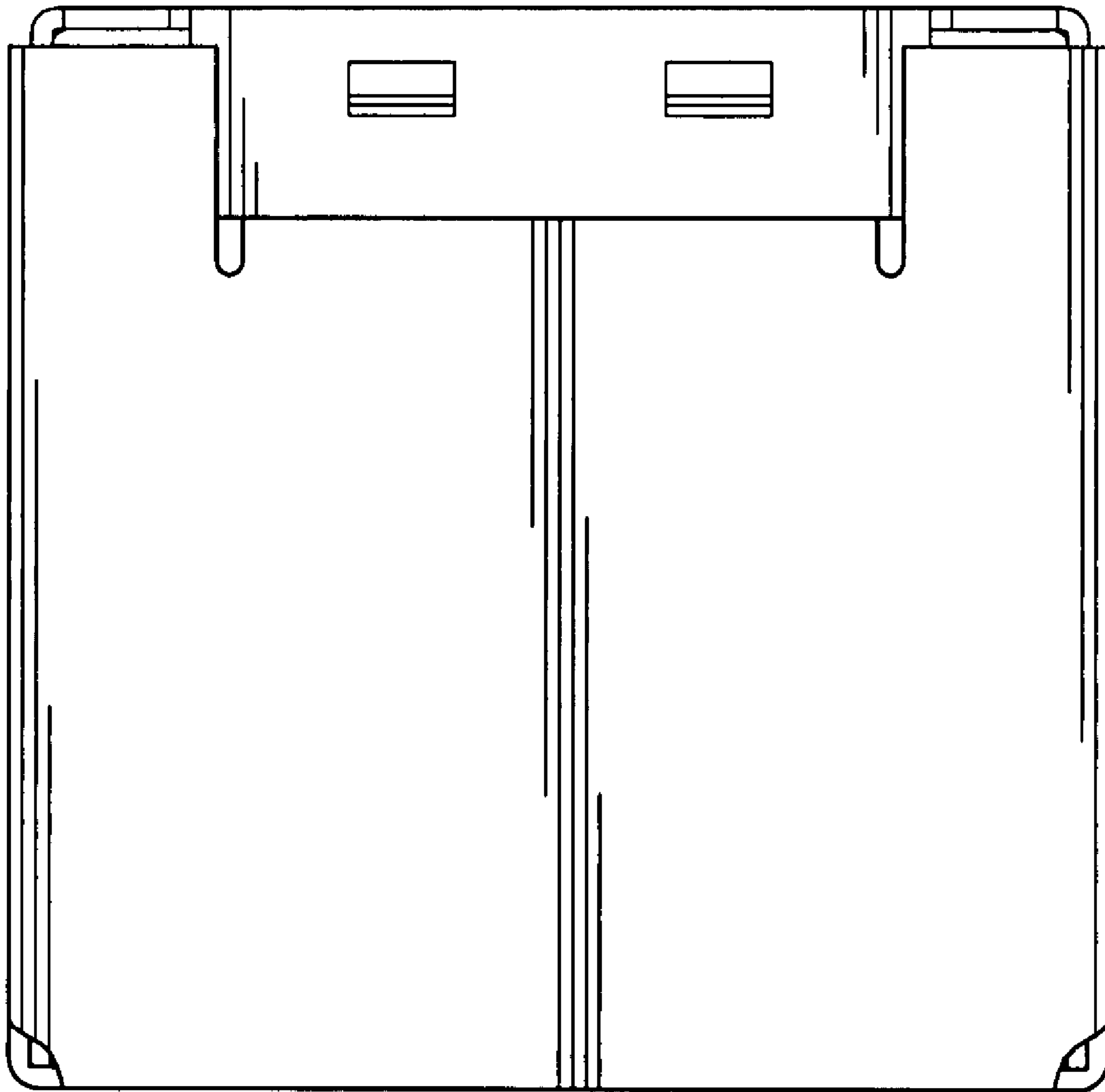


FIG. 6

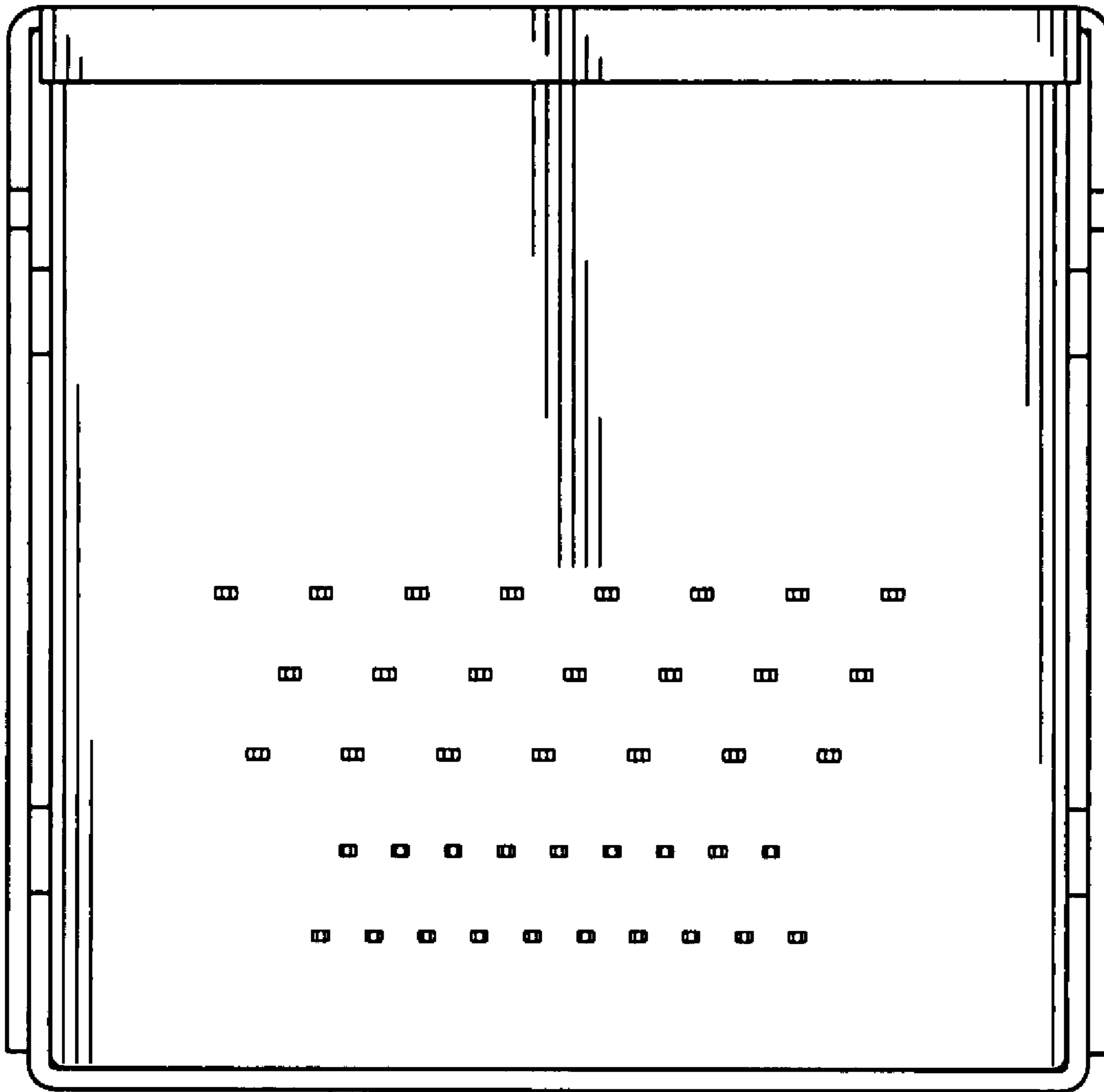


FIG. 7