



US00D555101S

(12) **United States Design Patent**
Xiao et al.

(10) **Patent No.:** **US D555,101 S**

(45) **Date of Patent:** **** Nov. 13, 2007**

(54) **ELECTRICAL CONNECTOR**

(75) Inventors: **Xue-Yuan Xiao**, Kunshan (CN);
Guo-Hua Zhang, Kunshan (CN);
Jin-Kui Hu, Kunshan (CN)

(73) Assignee: **Hon Hai Precision Ind. Co., Ltd.**,
Taipei Hsien (TW)

(**) Term: **14 Years**

(21) Appl. No.: **29/267,069**

(22) Filed: **Oct. 4, 2006**

(30) **Foreign Application Priority Data**

Apr. 20, 2006 (CN) 2006 3 0085035

(51) **LOC (8) Cl.** **13-03**

(52) **U.S. Cl.** **D13/147**

(58) **Field of Classification Search** D13/146-147,
D13/151, 154, 184, 199; 439/79, 108, 248,
439/278, 358, 374, 377, 571, 476.1, 573,
439/660, 677, 883, 607-610, 680-682, 891,
439/894

See application file for complete search history.

(56) **References Cited**

U.S. PATENT DOCUMENTS

4,911,659 A * 3/1990 Viselli 439/570

4,938,704 A * 7/1990 Fujiura 439/95
D390,192 S * 2/1998 Ono D13/147
D422,561 S * 4/2000 Wu et al. D13/147
D517,491 S * 3/2006 Nishio et al. D13/147
D518,441 S * 4/2006 Nishio et al. D13/147

* cited by examiner

Primary Examiner—Daniel Bui

(74) *Attorney, Agent, or Firm*—Wei Te Chung

(57) **CLAIM**

The ornamental design for an electrical connector, as shown and described.

DESCRIPTION

FIG. 1 is a front, top and right side perspective view of an electrical connector showing our new design;

FIG. 2 is a front elevational view thereof;

FIG. 3 is a rear elevational view thereof;

FIG. 4 is a left side elevational thereof;

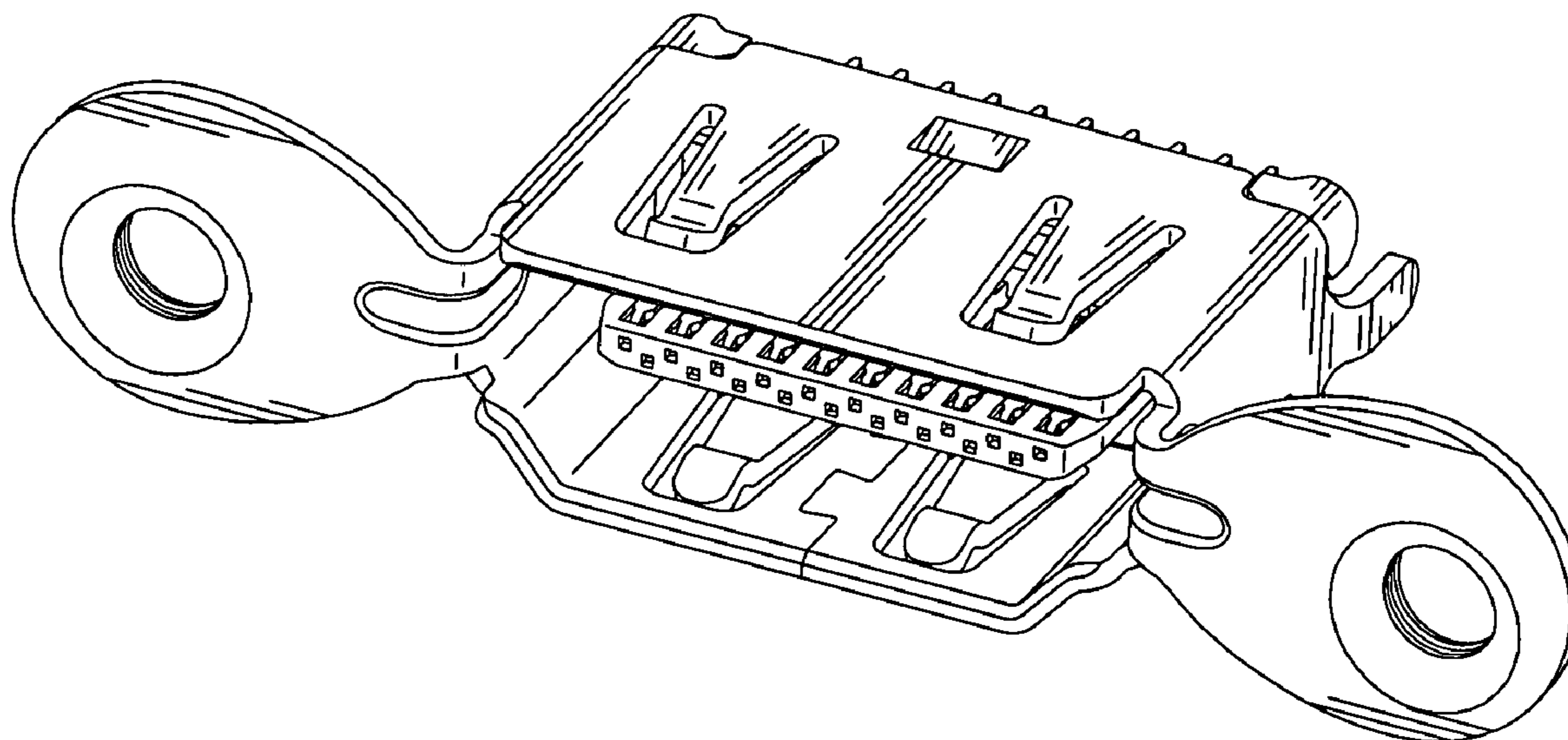
FIG. 5 is a right side elevational thereof;

FIG. 6 is a top plan view thereof; and,

FIG. 7 is a bottom plan view of FIG 1.

The broken lines in FIGS. 2 and 3 are included for the purpose of illustrating portions of the electrical connector and form no part of the claimed design.

1 Claim, 7 Drawing Sheets



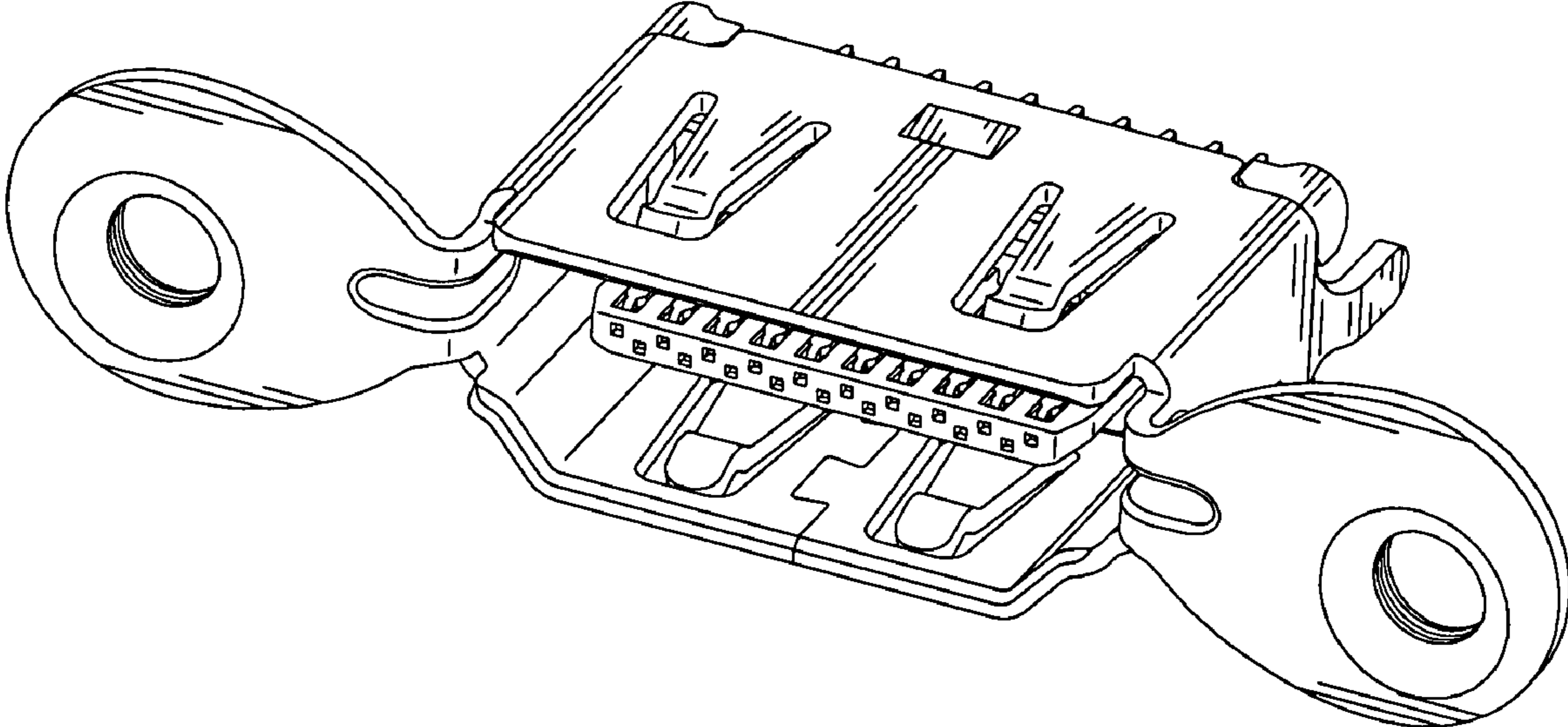


FIG. 1

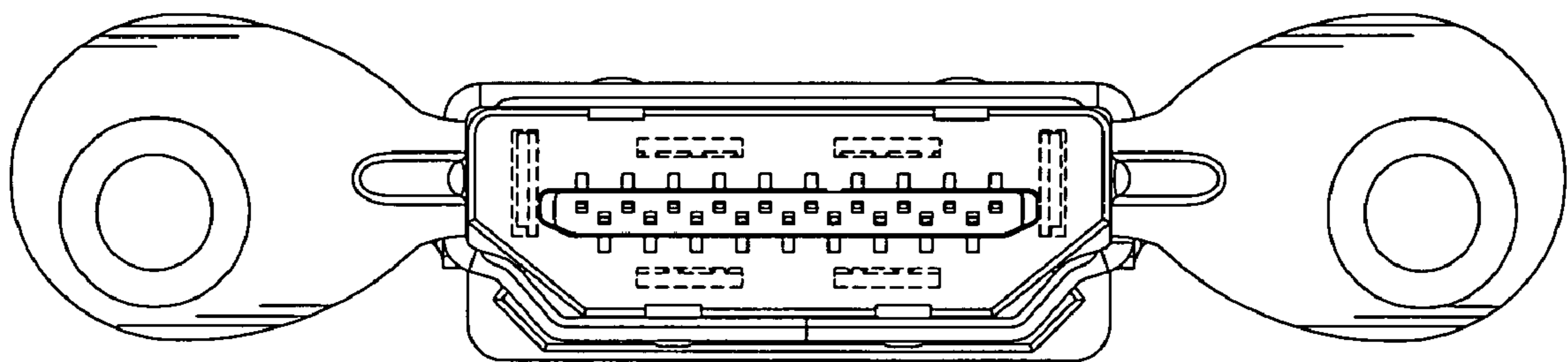


FIG. 2

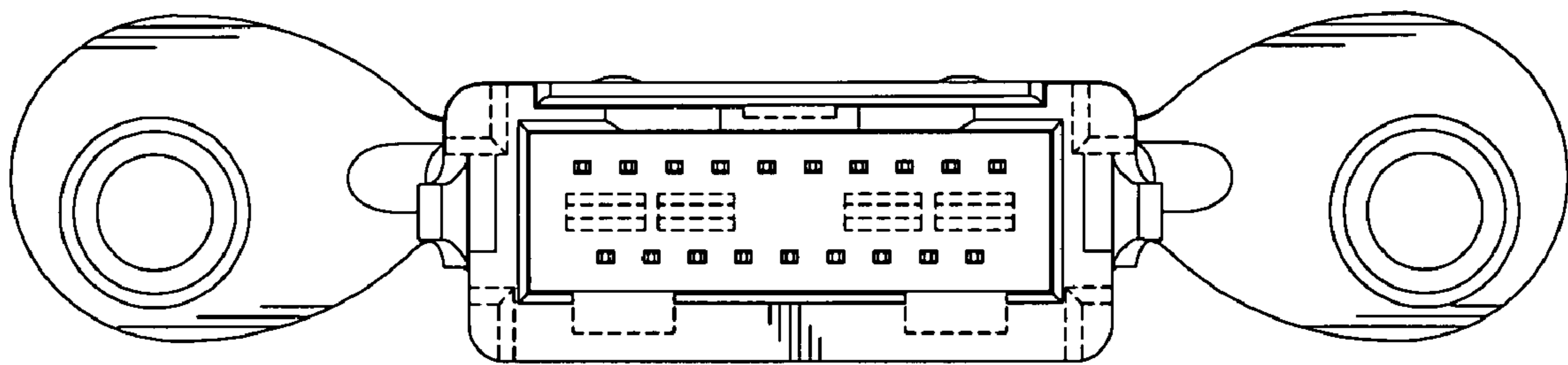


FIG. 3

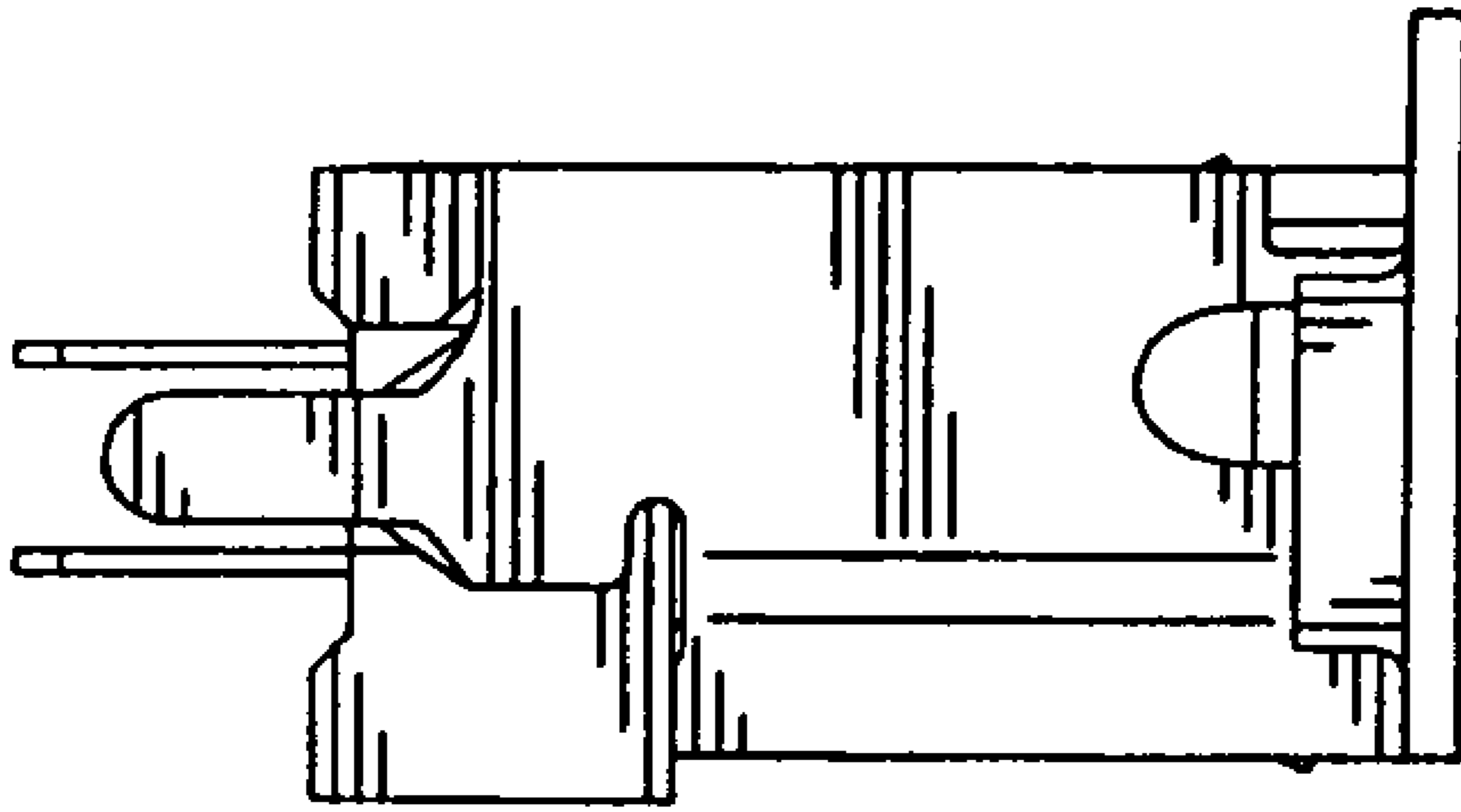


FIG. 4

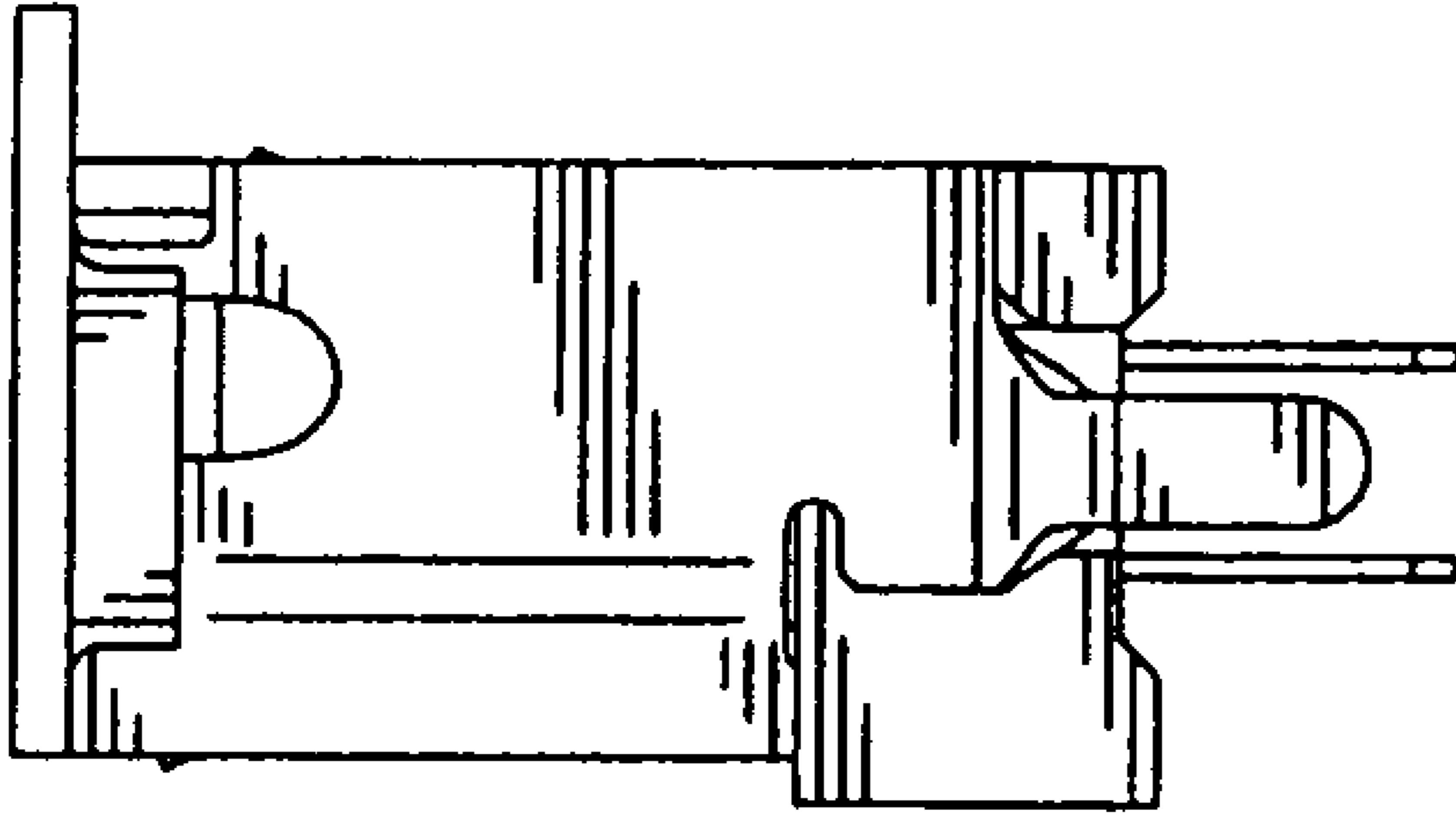


FIG. 5

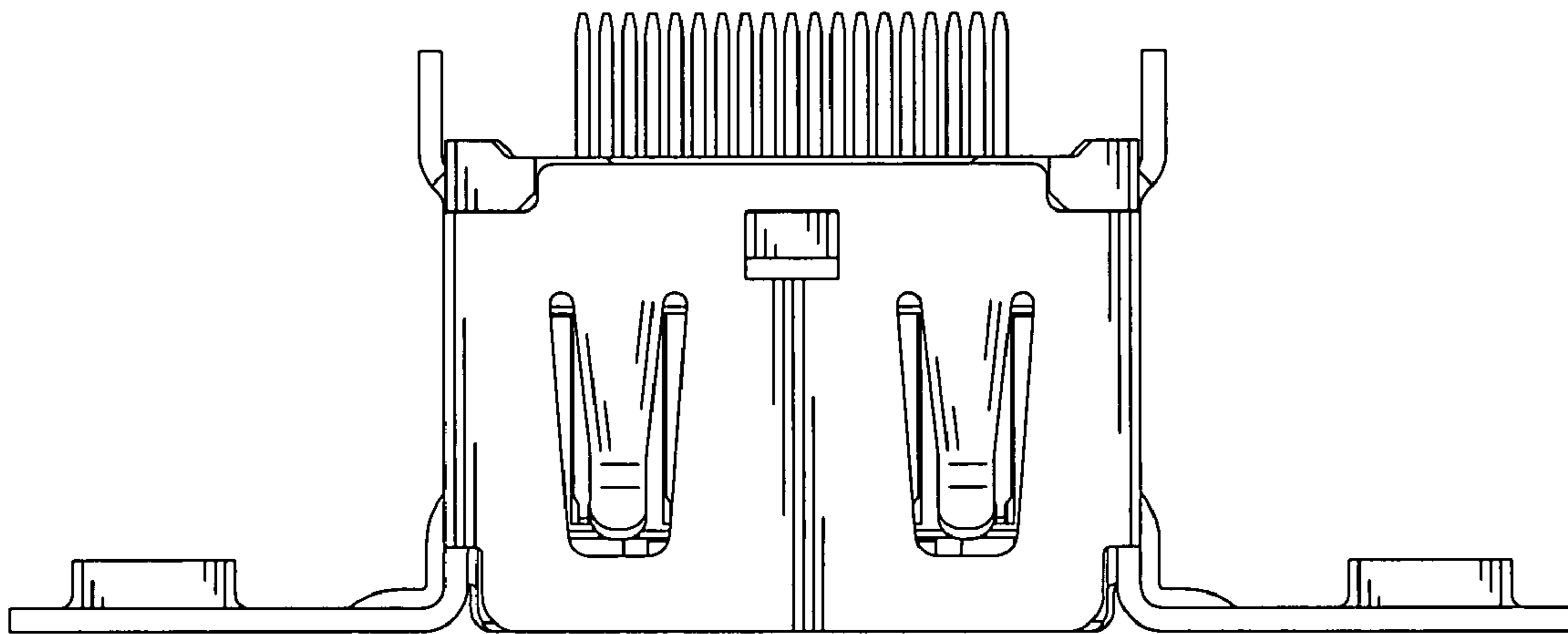


FIG. 6

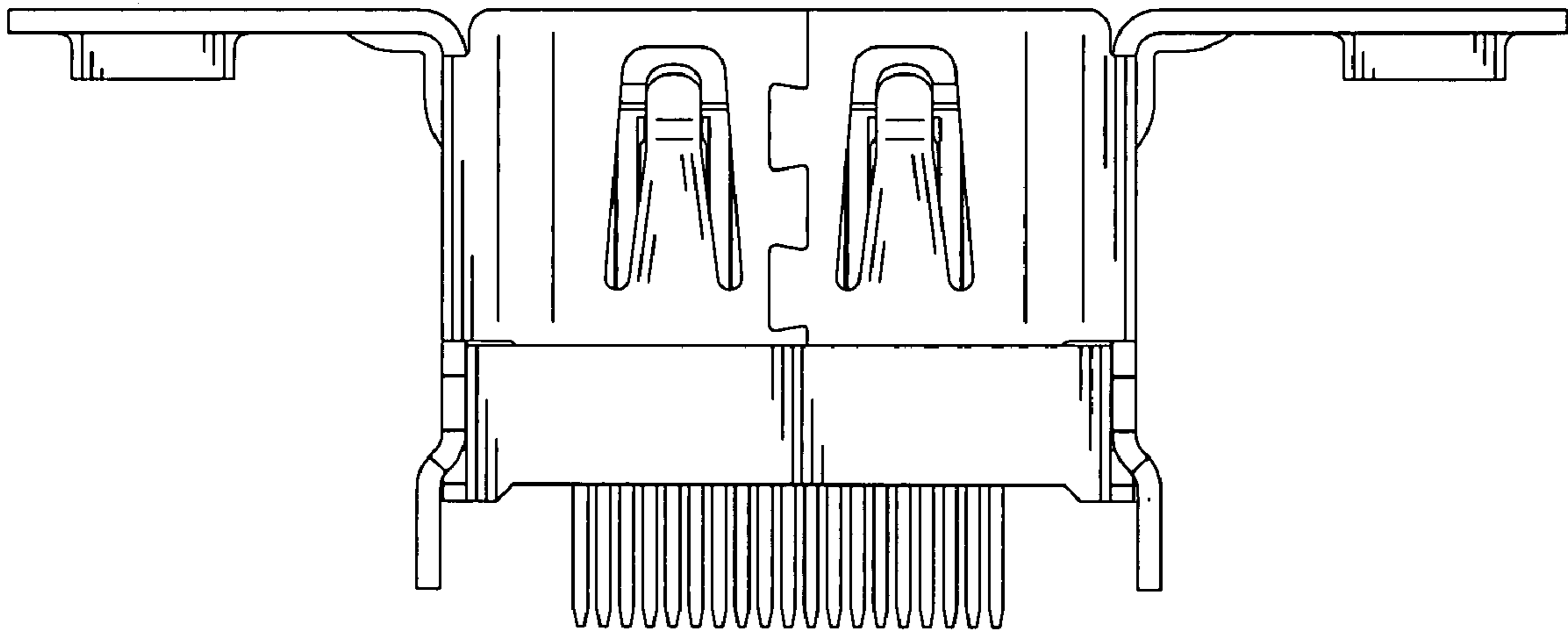


FIG. 7