



US00D555100S

(12) **United States Design Patent**
Ikegami

(10) **Patent No.:** **US D555,100 S**

(45) **Date of Patent:** **** Nov. 13, 2007**

(54) **ELECTRICAL CONNECTOR**

D543,151 S * 5/2007 Watanabe et al. D13/147

(75) Inventor: **Kenji Ikegami**, Tokyo (JP)

FOREIGN PATENT DOCUMENTS

(73) Assignee: **Tyco Electronics AMP K.K.**,
Kanagawa-Ken (JP)

JP	2003187916	7/2003
JP	D1199255	1/2004
JP	D1291773	12/2006
JP	D1291963	12/2006

(**) Term: **14 Years**

* cited by examiner

(21) Appl. No.: **29/250,699**

Primary Examiner—Daniel Bui

(22) Filed: **Nov. 28, 2006**

(74) *Attorney, Agent, or Firm*—Barley Snyder LLC

(30) **Foreign Application Priority Data**

(57) **CLAIM**

Jun. 9, 2006	(JP)	2006-015009
Jun. 9, 2006	(JP)	2006-015010

I claim the ornamental design for an electrical connector, as shown and described.

(51) **LOC (8) Cl.** **13-03**

(52) **U.S. Cl.** **D13/147**

(58) **Field of Classification Search** D13/133,
D13/146–147, 154, 184, 194; 439/79, 108,
439/607–610, 660, 668, 680

DESCRIPTION

See application file for complete search history.

FIG. 1 is a front elevation view of an electrical connector, showing my new design;

FIG. 2 is a top plan view thereof;

FIG. 3 is a right side elevation view thereof;

FIG. 4 is a rear elevation view thereof;

FIG. 5 is a bottom plan view thereof;

FIG. 6 is a top, front and right side perspective view thereof;

FIG. 7 is a bottom, rear and left side perspective view thereof; and,

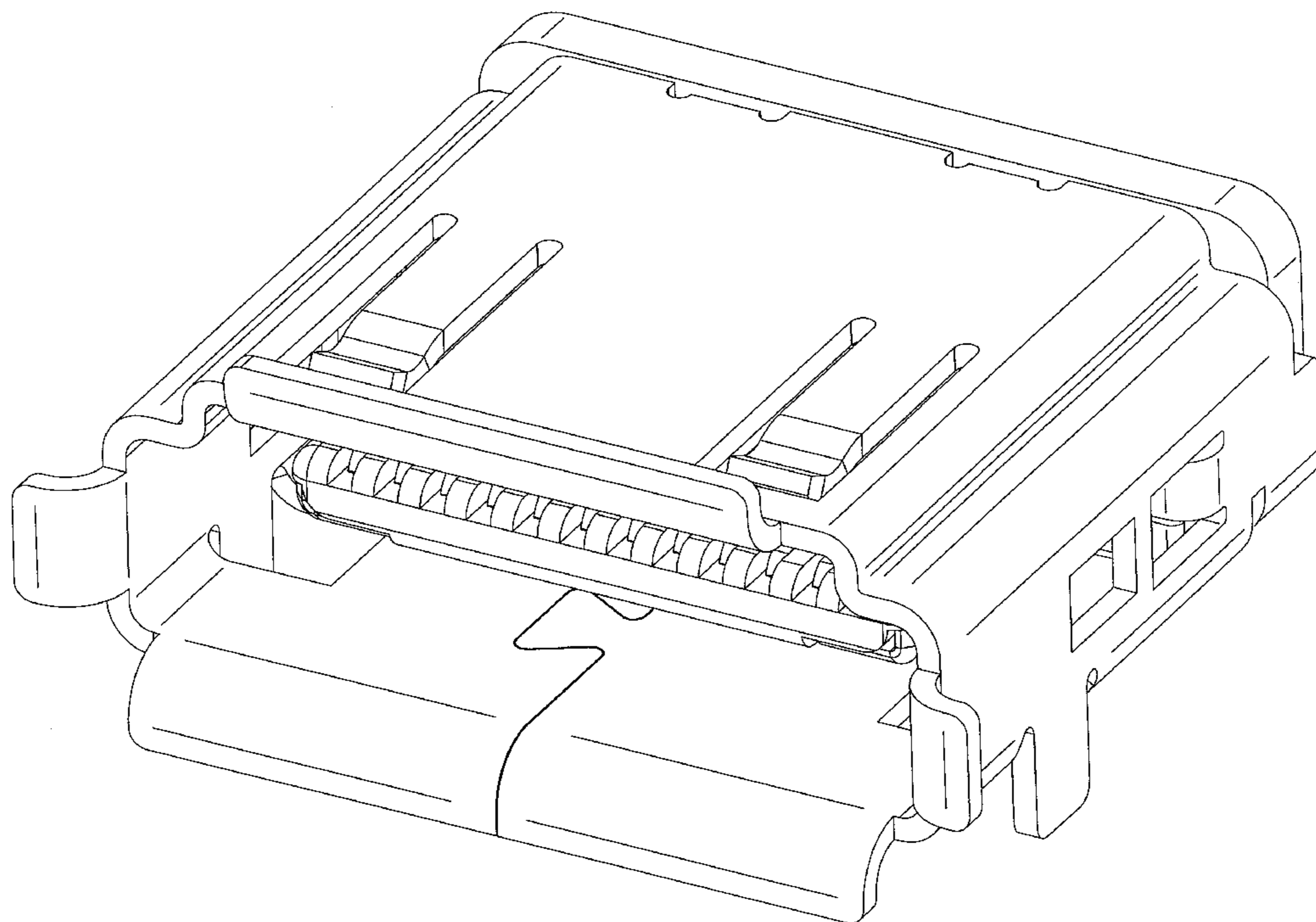
FIG. 8 is a cross sectional view thereof on a larger scale, taken along line 8—8 in FIG. 1.

(56) **References Cited**

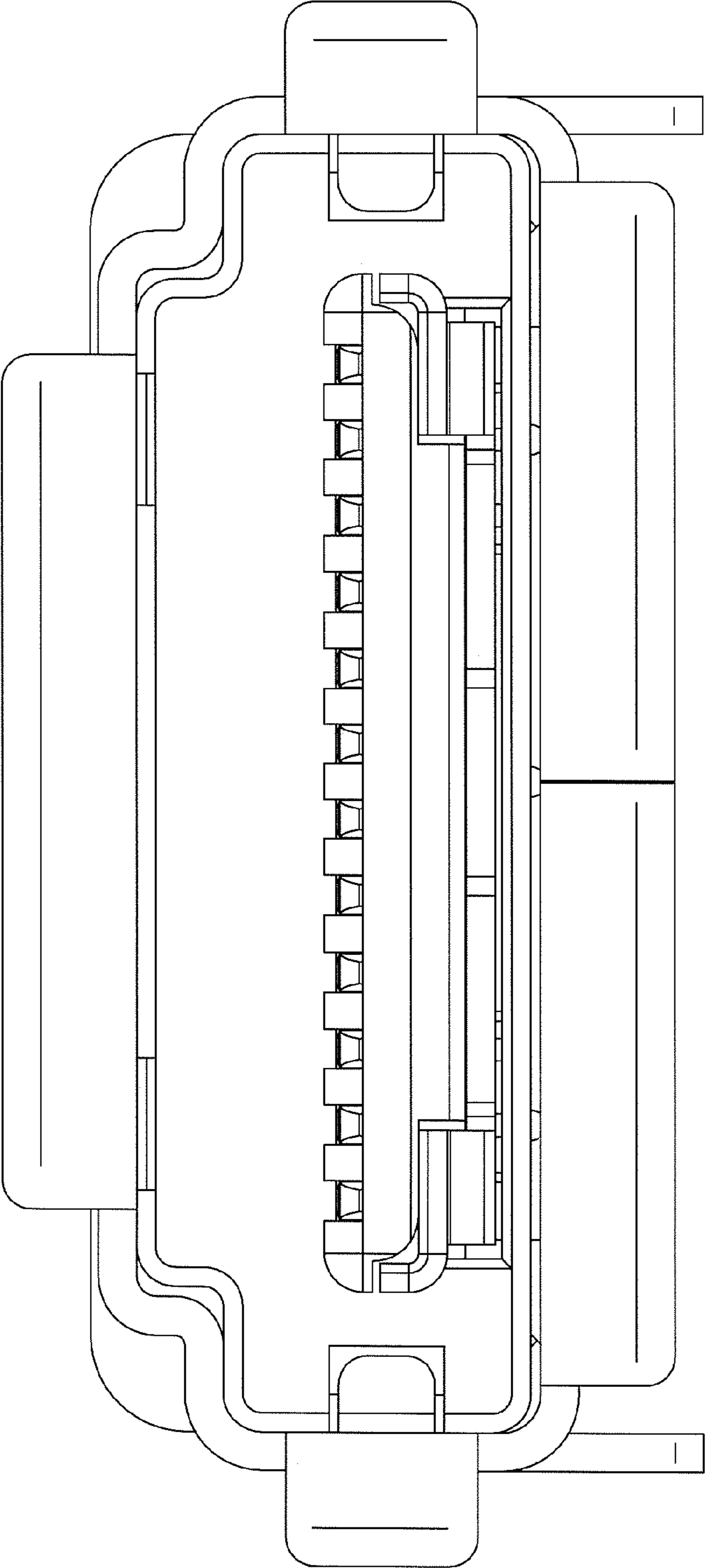
U.S. PATENT DOCUMENTS

D408,788 S	*	4/1999	Homma	D13/147
D427,975 S	*	7/2000	Zhu et al.	D13/147
D453,499 S	*	2/2002	Hisada et al.	D13/147
D465,202 S		11/2002	Kubota		
D488,446 S	*	4/2004	Sato	D13/147
D507,538 S	*	7/2005	Wang	D13/147
D507,780 S	*	7/2005	Wang	D13/147
D540,746 S	*	4/2007	Watanabe et al.	D13/147

1 Claim, 8 Drawing Sheets



8 ← **Figure 1**



8 ←

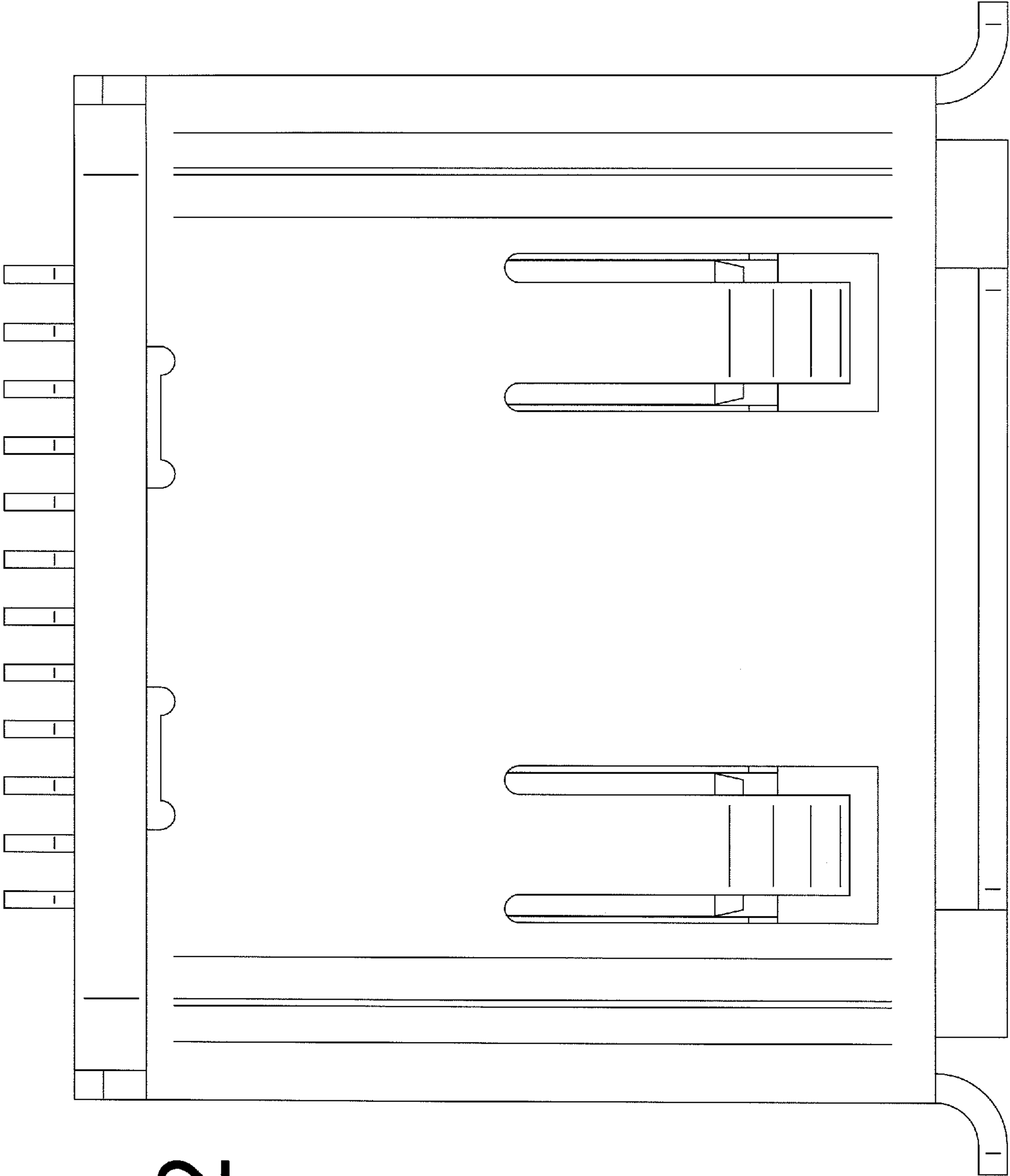


Figure 2

Figure 3

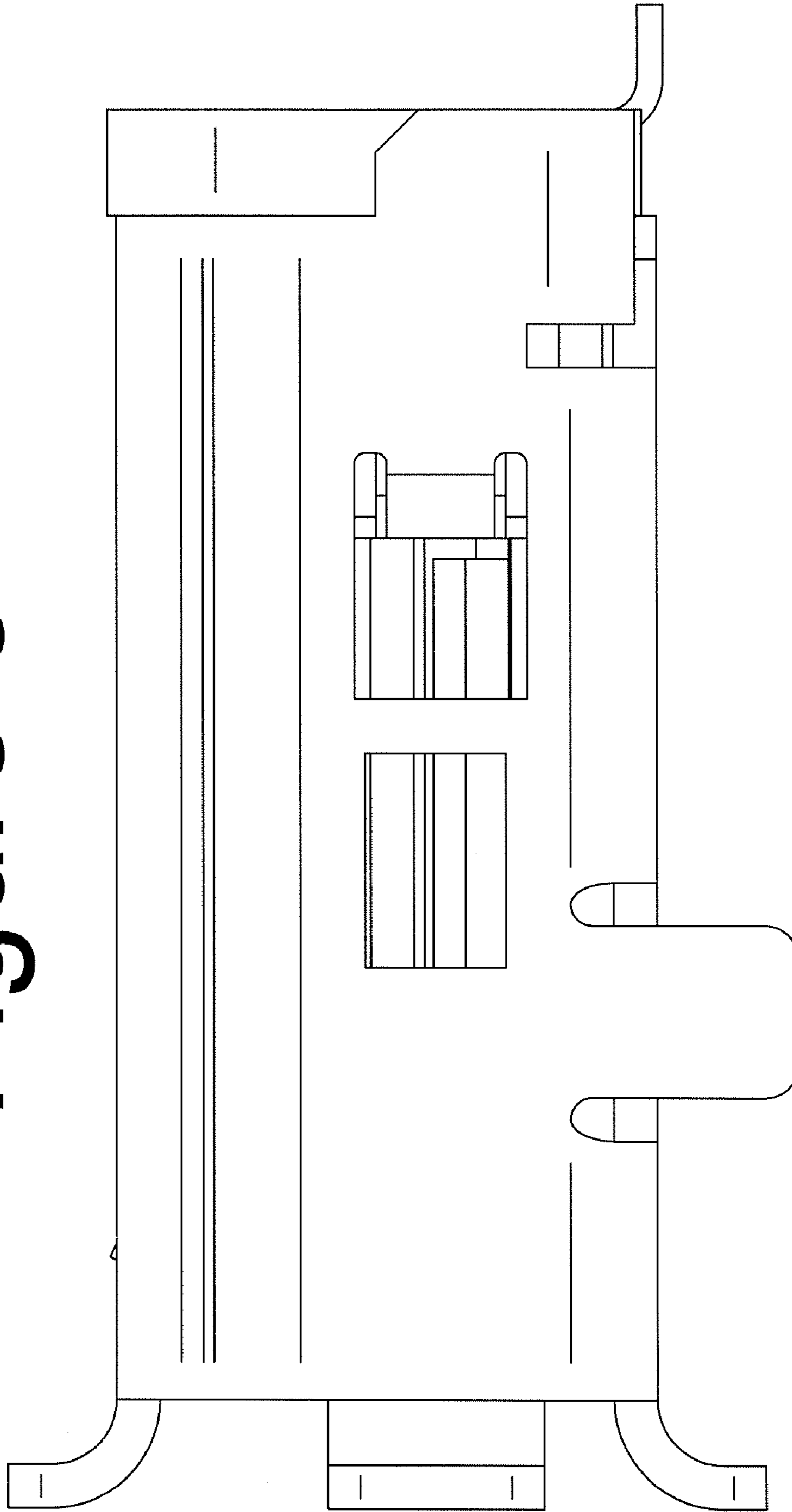
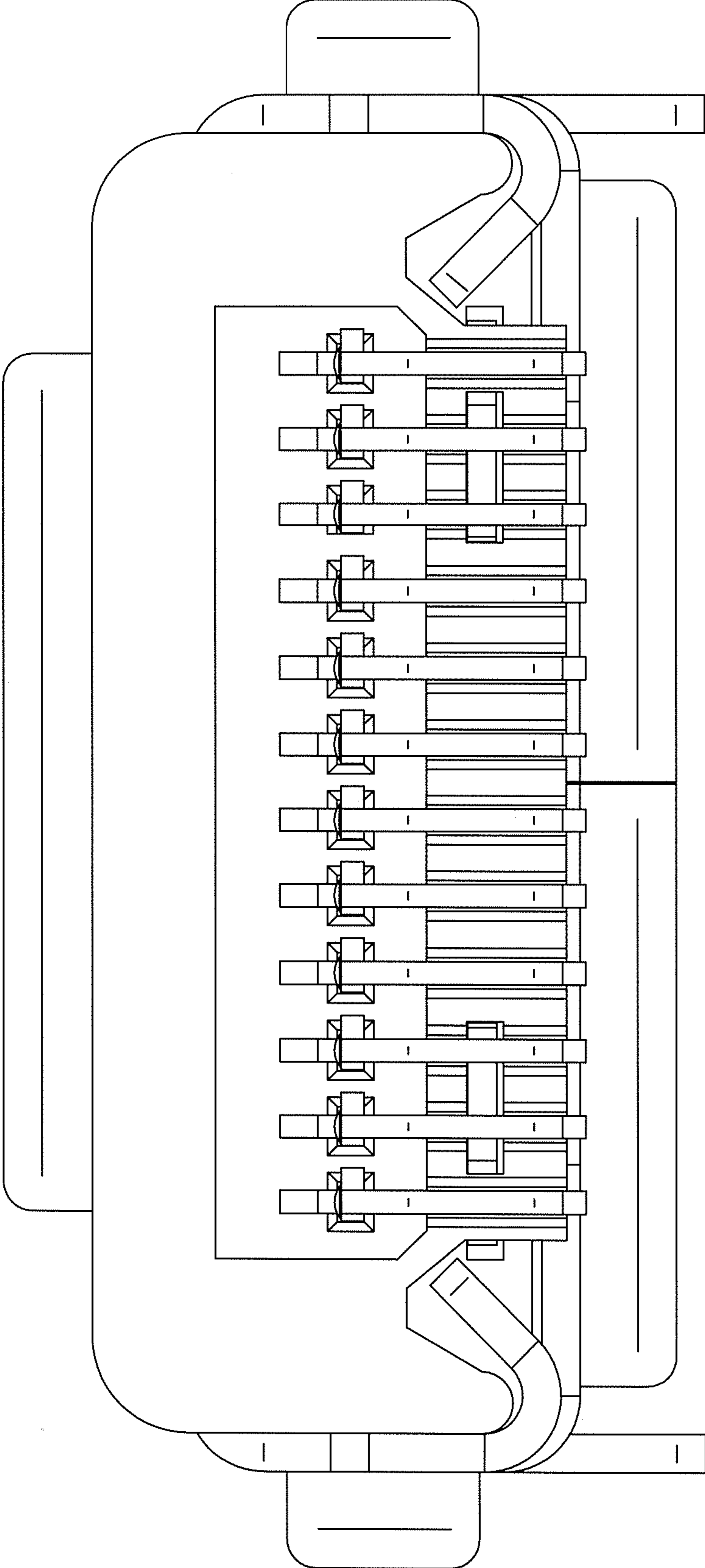


Figure 4



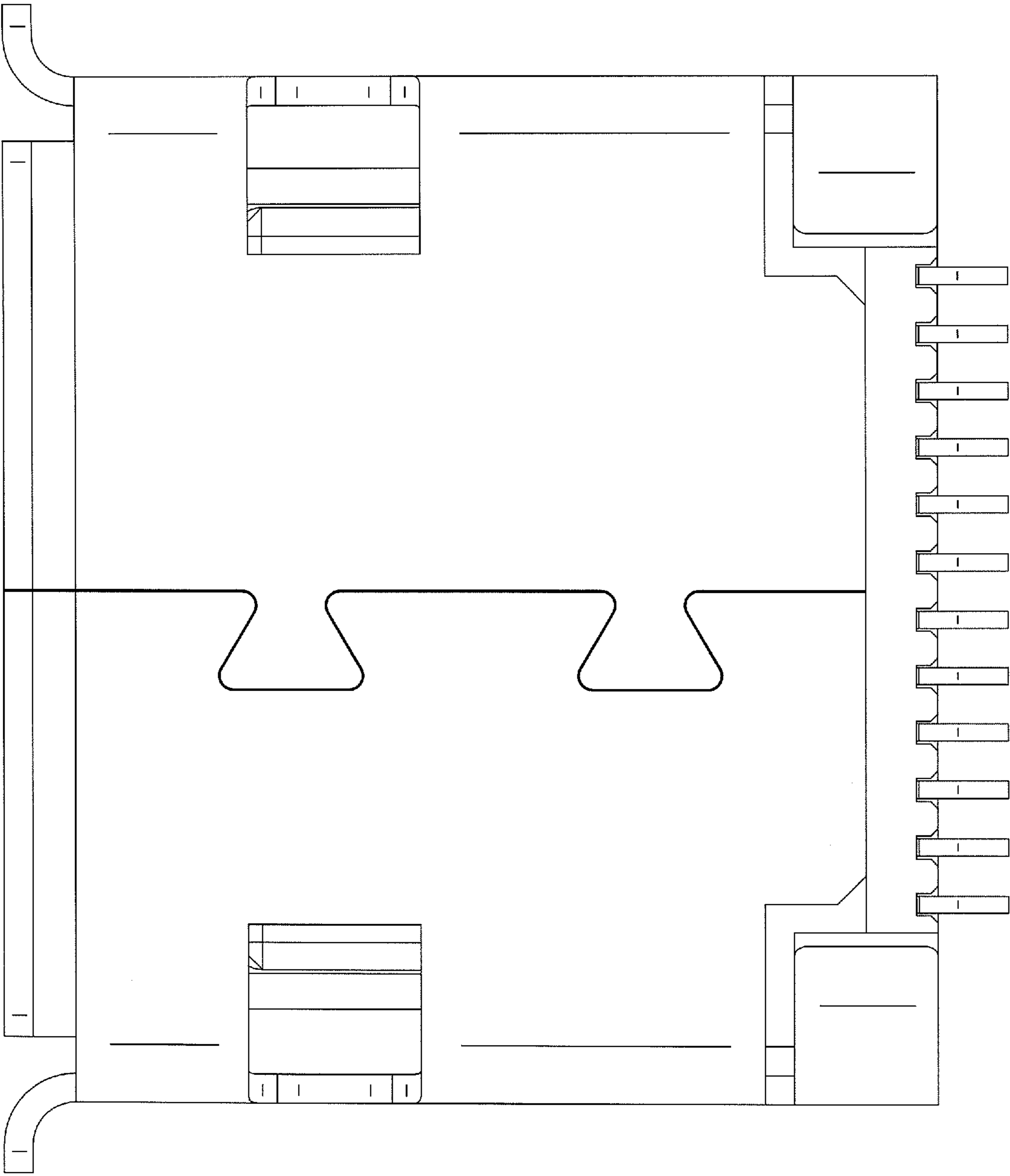


Figure 5

Figure 6

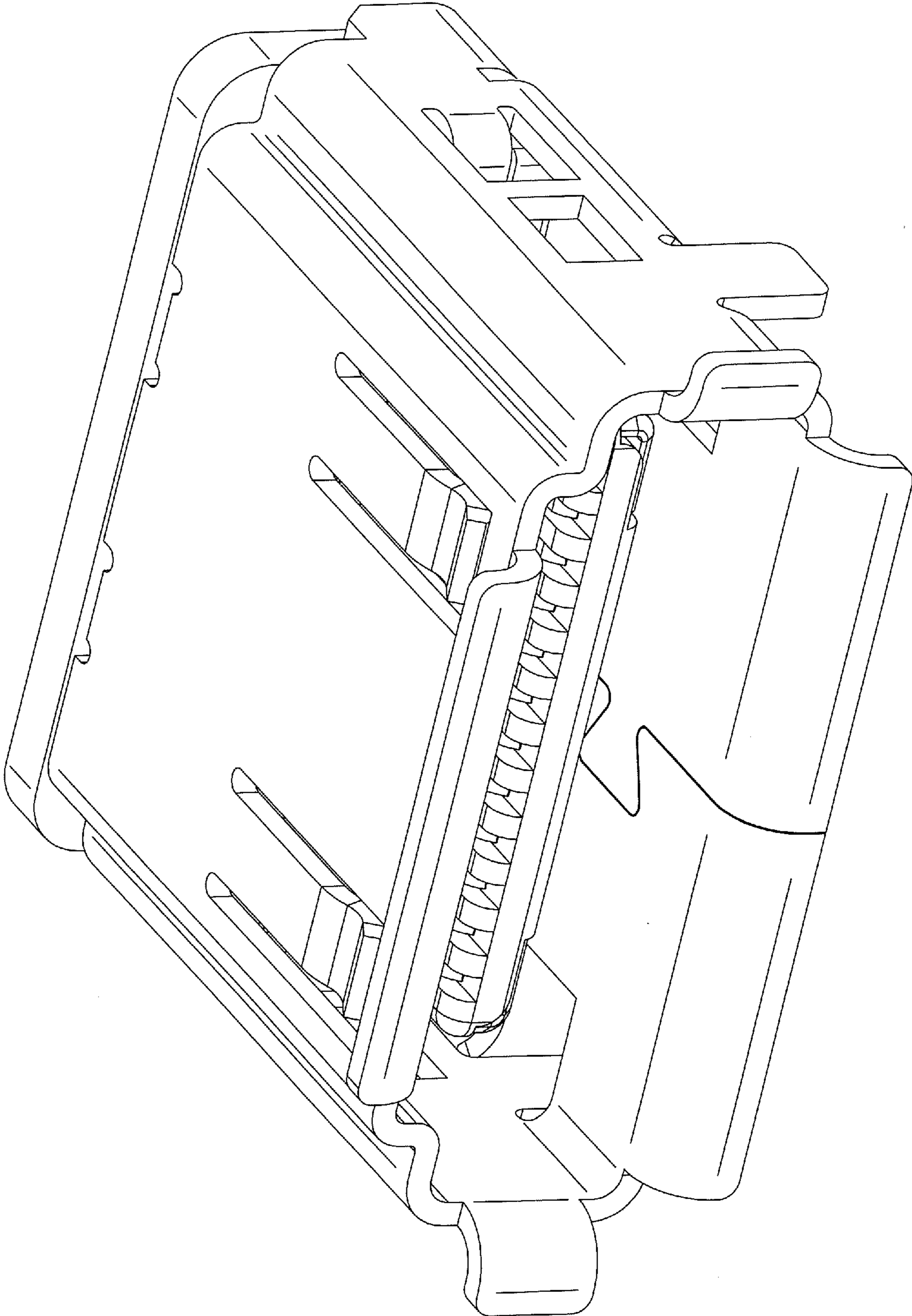


Figure 7

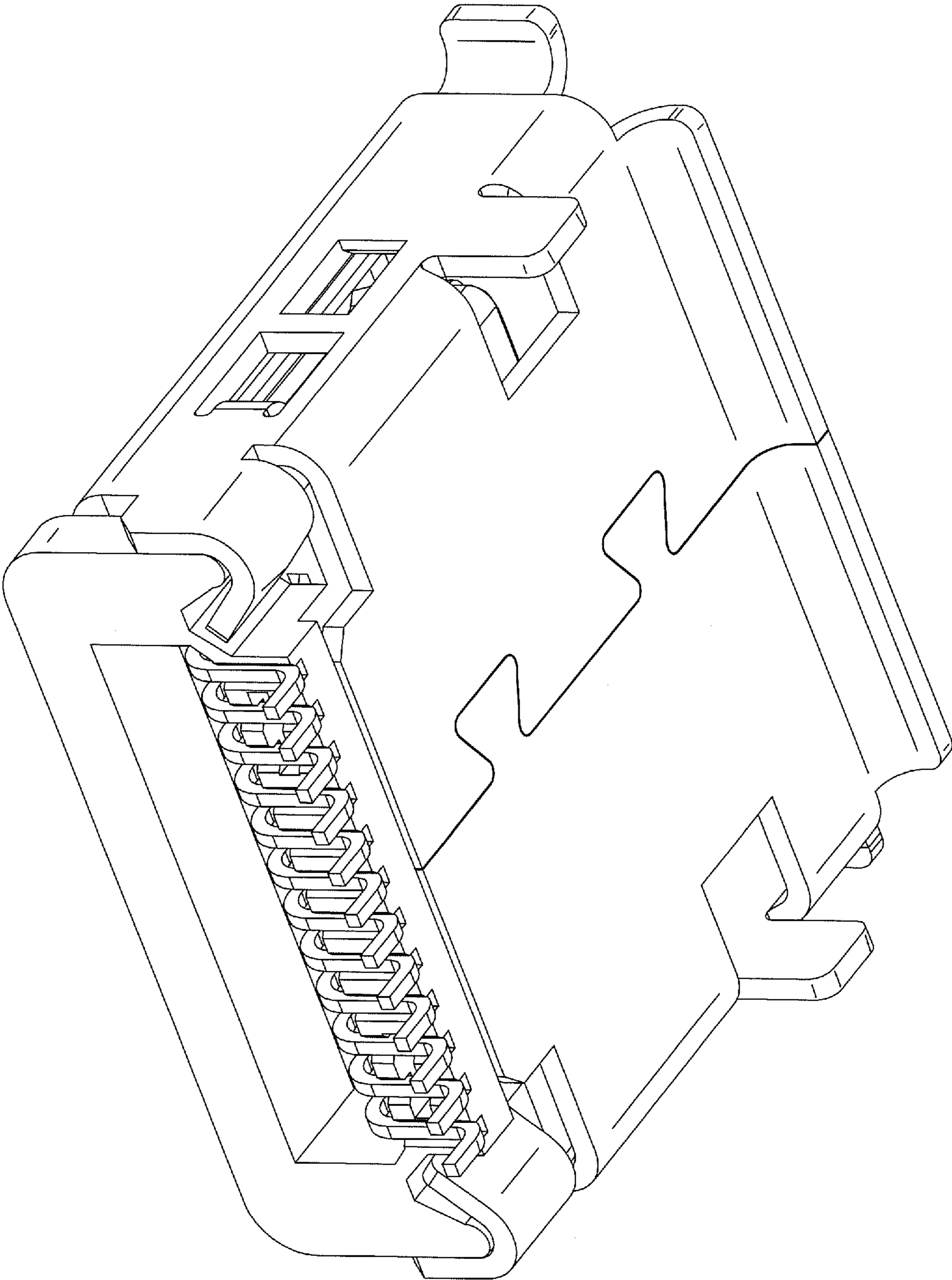


Figure 8

