



US00D555099S

(12) **United States Design Patent**
Lin et al.

(10) **Patent No.:** **US D555,099 S**

(45) **Date of Patent:** **** Nov. 13, 2007**

(54) **AUDIO JACK**

(75) Inventors: **Kuo Chin Lin**, Tu-Cheng (TW); **Bo Liu**, Tu-Cheng (TW); **Feng Zhu**, Tu-Cheng (TW)

(73) Assignee: **Cheng Uei Precision Industry Co., Ltd.**, Taipei Hsien (TW)

(**) Term: **14 Years**

(21) Appl. No.: **29/271,143**

(22) Filed: **Jan. 11, 2007**

(51) **LOC (8) Cl.** **13-03**

(52) **U.S. Cl.** **D13/133**

(58) **Field of Classification Search** D13/133,
D13/146-147, 154, 184, 199; 439/278, 607,
439/668-669, 894

See application file for complete search history.

(56) **References Cited**

U.S. PATENT DOCUMENTS

D314,941 S * 2/1991 Amachi et al. D13/133
D345,546 S * 3/1994 Lin et al. D13/133
D450,655 S * 11/2001 Cheng D13/133
D533,835 S * 12/2006 Lee D13/133

D535,622 S * 1/2007 Zhu et al. D13/133
2003/0100227 A1 * 5/2003 Yeh 439/668
2005/0009407 A1 * 1/2005 Wang 439/668

* cited by examiner

Primary Examiner—Daniel Bui

(74) *Attorney, Agent, or Firm*—Rosenberg, Klein & Lee

(57) **CLAIM**

The ornamental design for an audio jack, as shown and described.

DESCRIPTION

FIG. 1 is a perspective view of an audio jack showing our new design;

FIG. 2 is a front elevational view thereof;

FIG. 3 is a rear elevational view thereof;

FIG. 4 is a left side elevational view thereof;

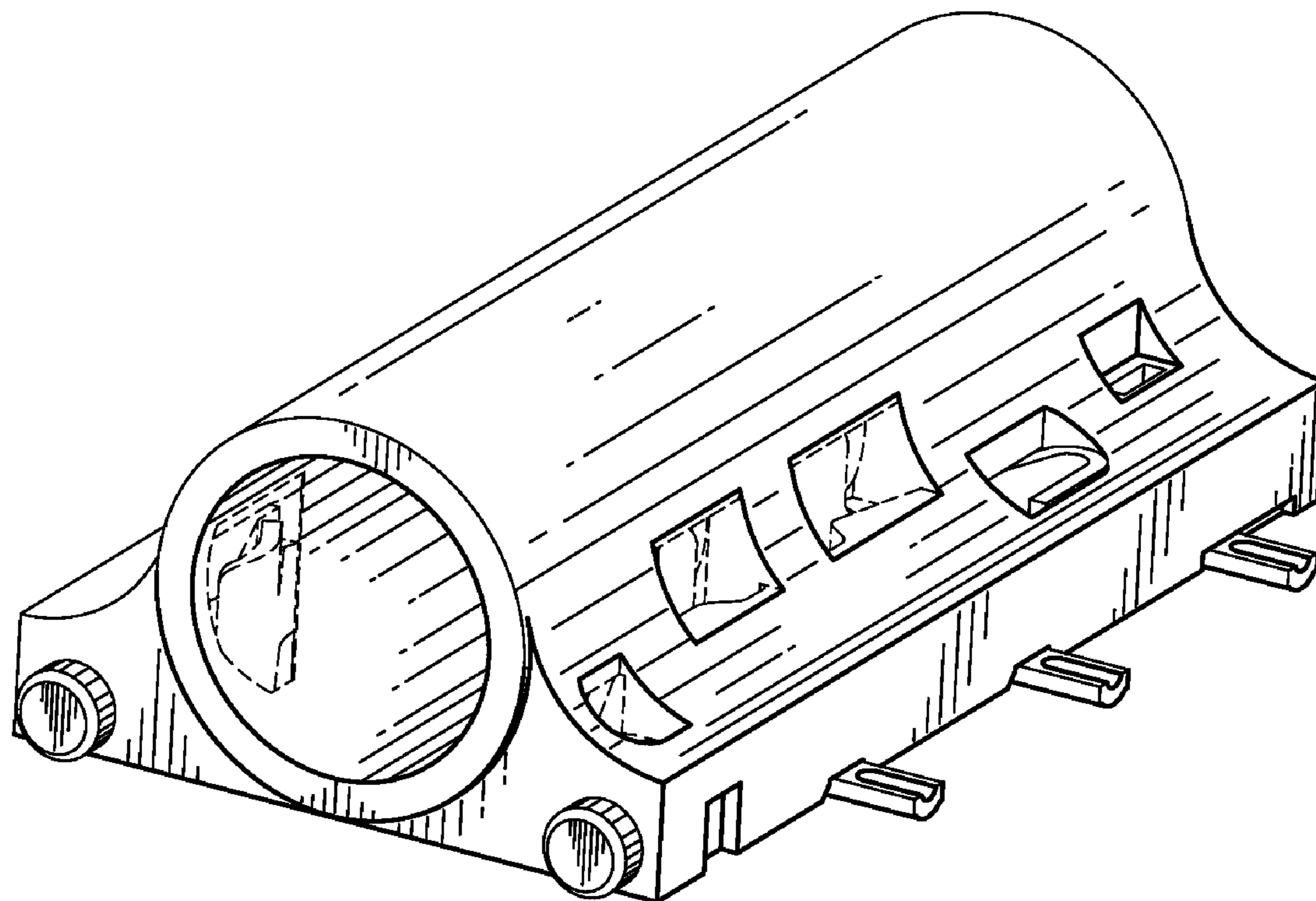
FIG. 5 is a right side elevational view thereof;

FIG. 6 is a top plan view thereof; and,

FIG. 7 is a bottom plan view thereof.

The broken line showing of the environment is for illustrative purposes only and forms no part of the claimed design.

1 Claim, 7 Drawing Sheets



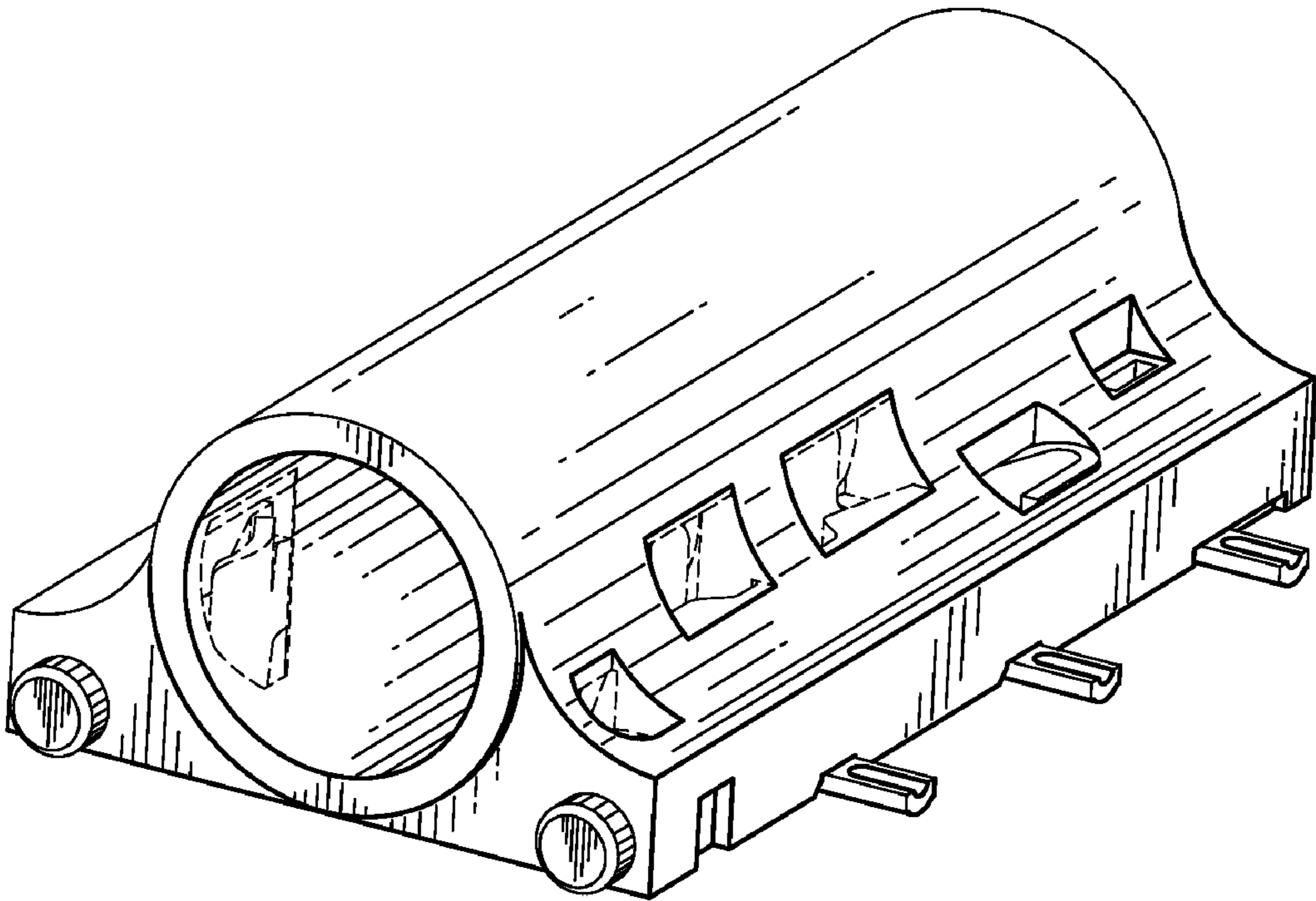


FIG. 1

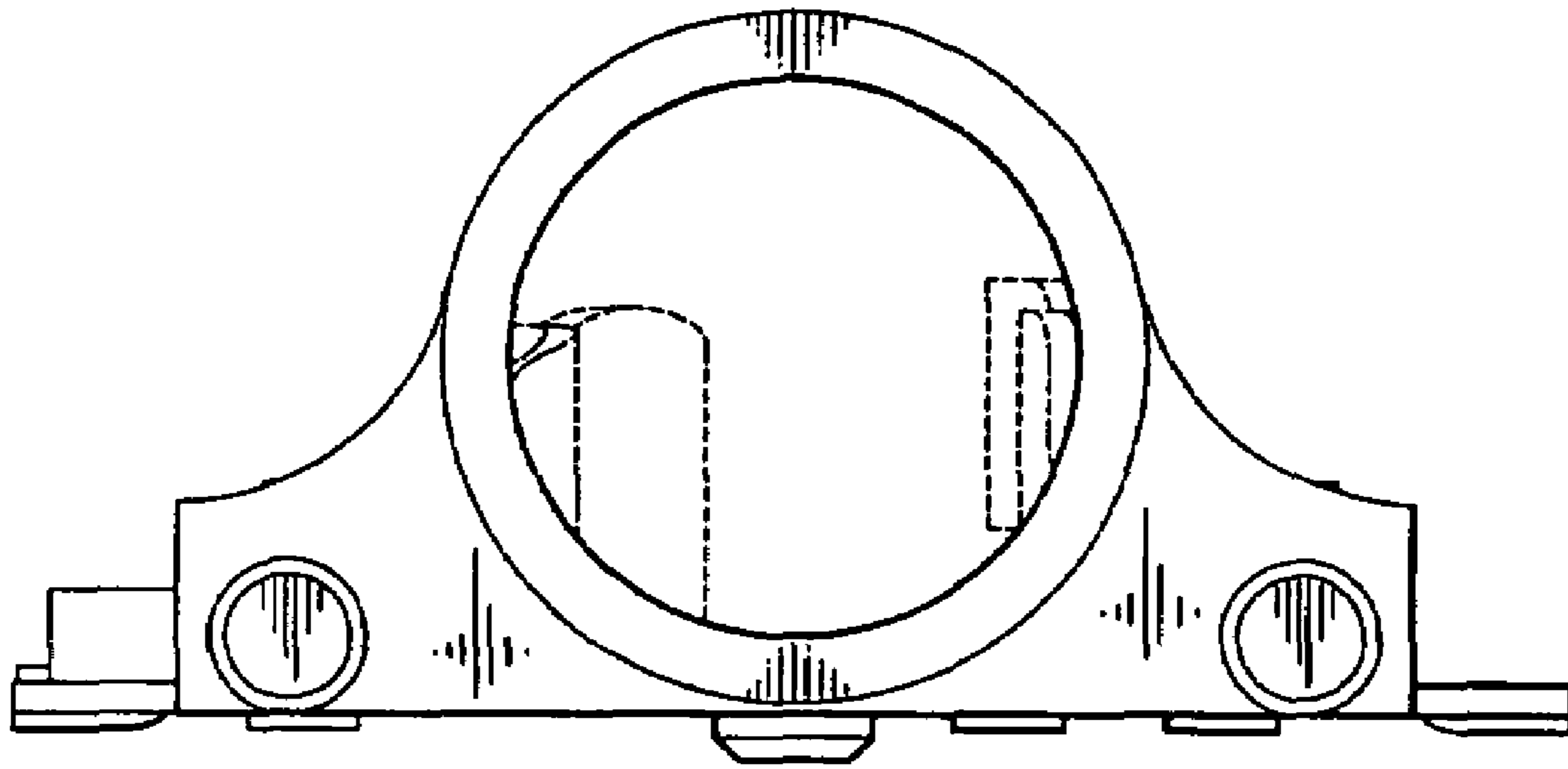


FIG. 2

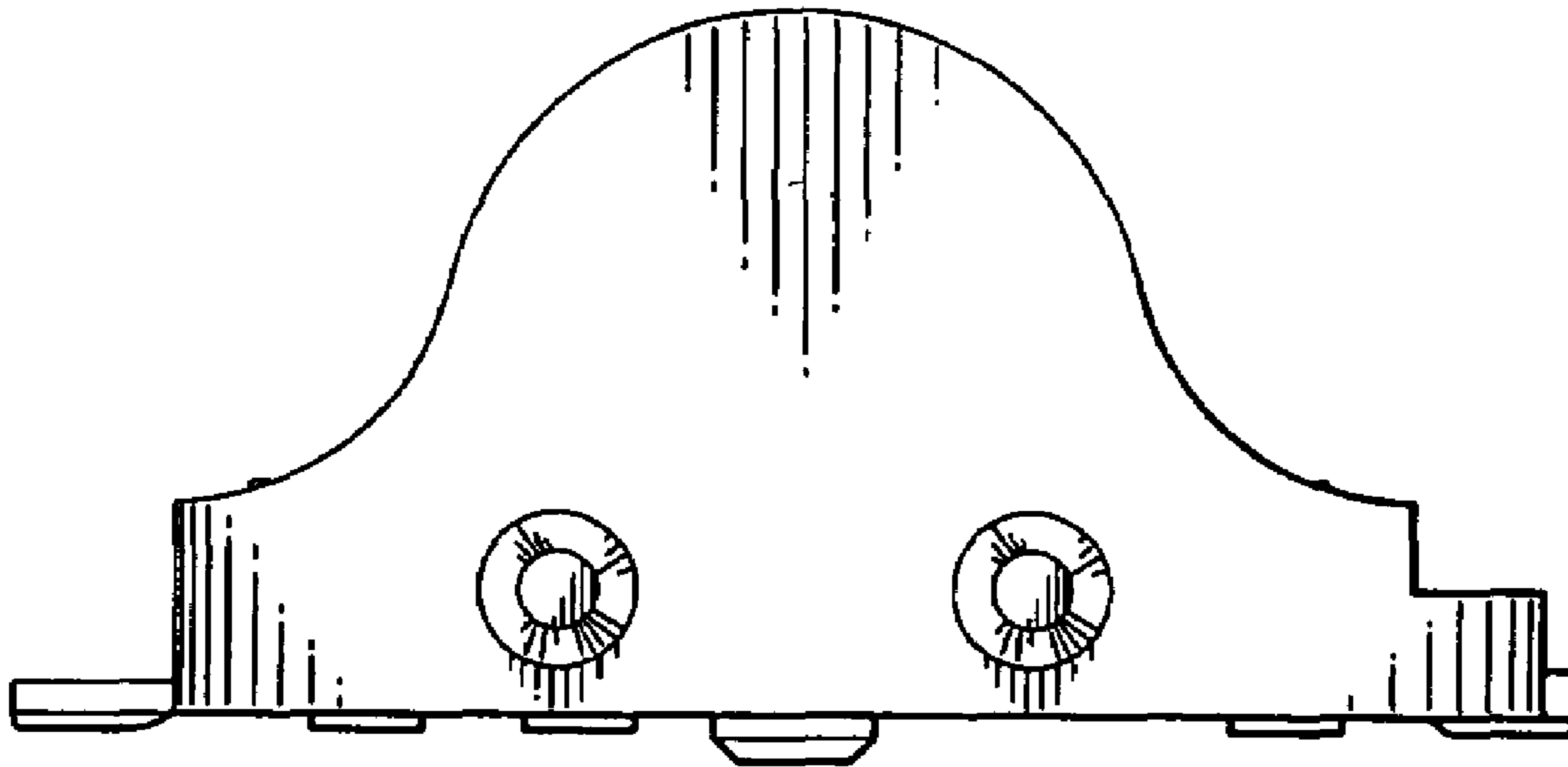


FIG. 3

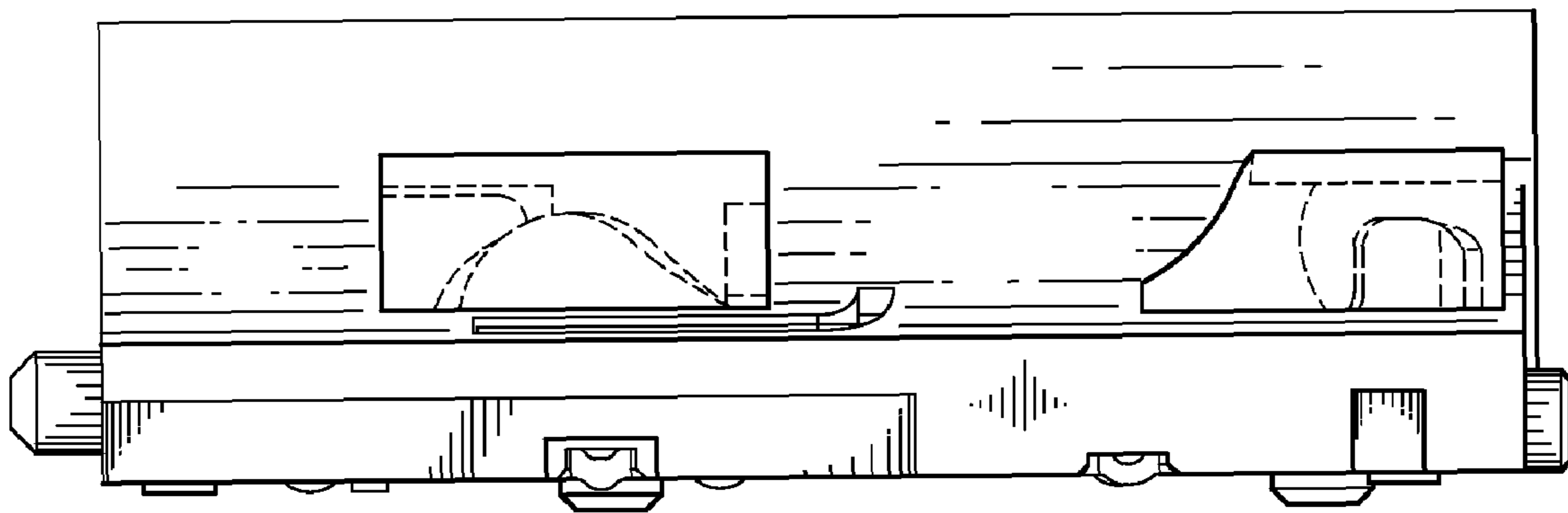


FIG. 4

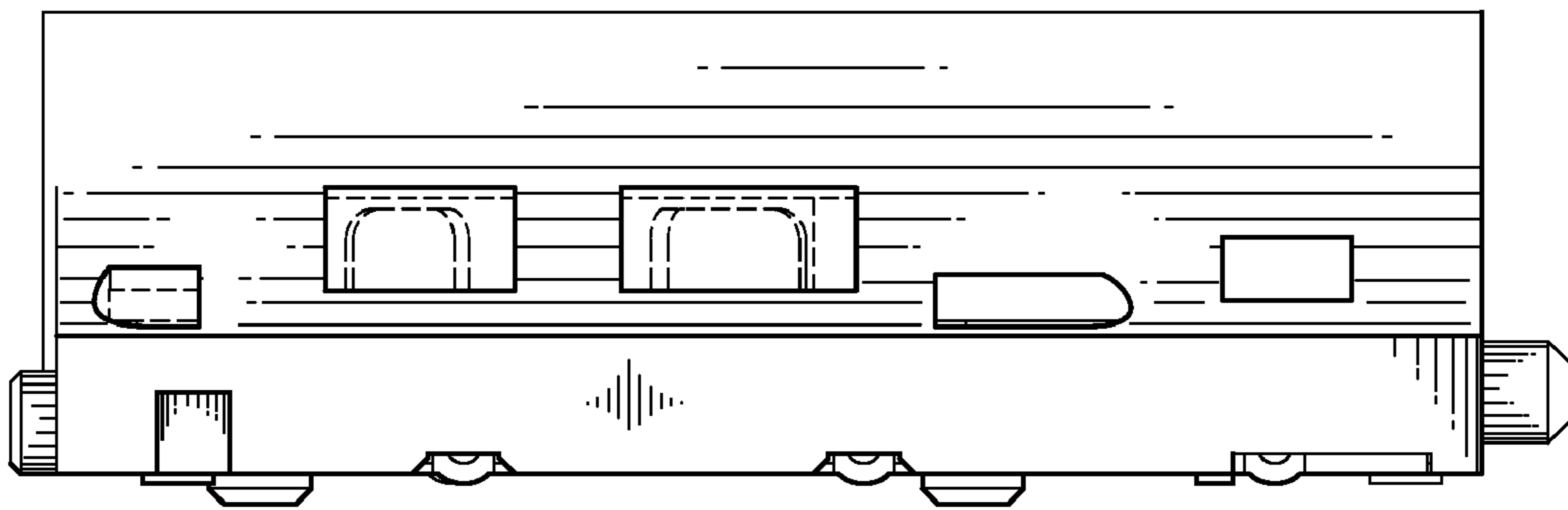


FIG. 5

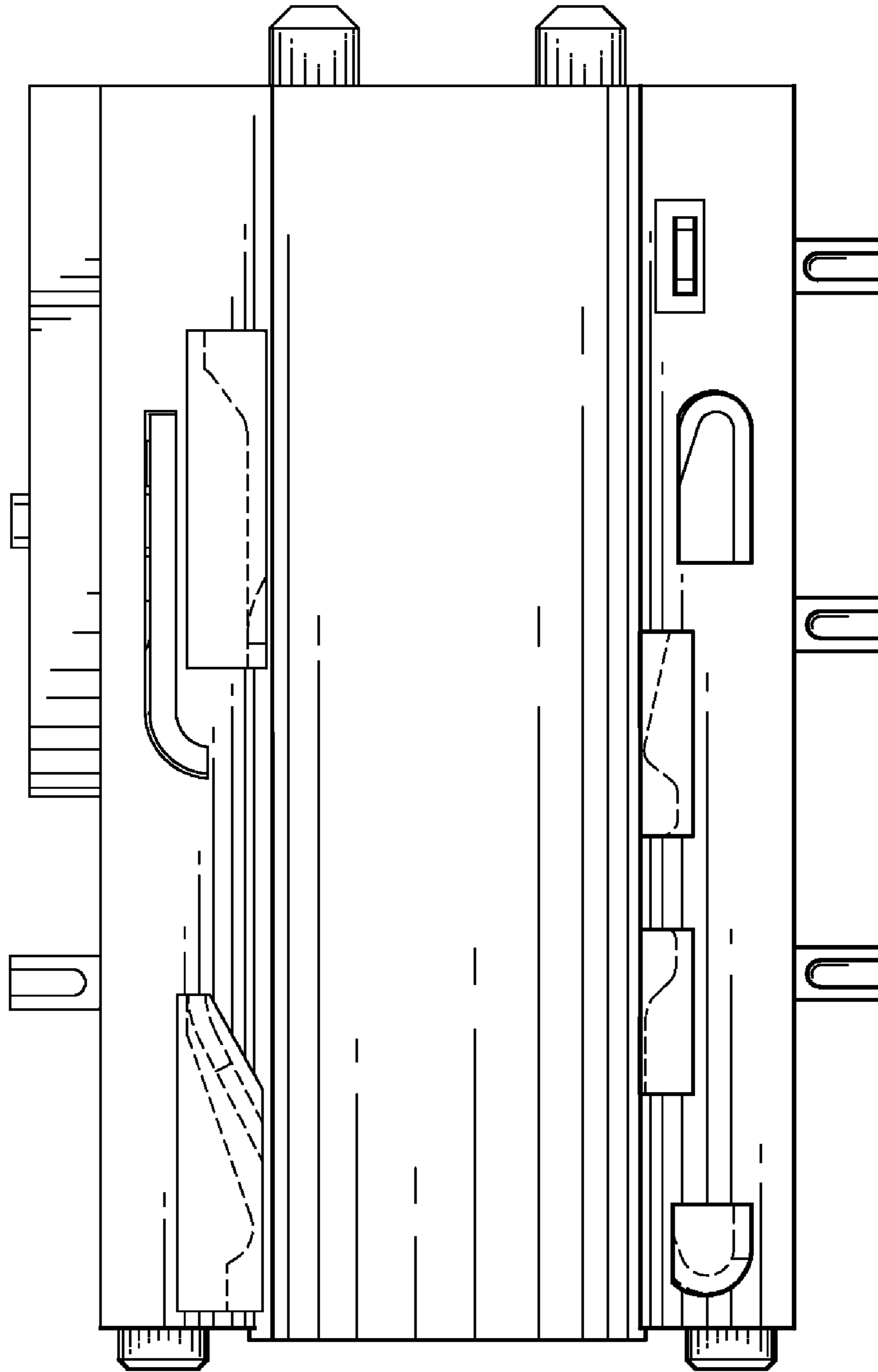


FIG. 6

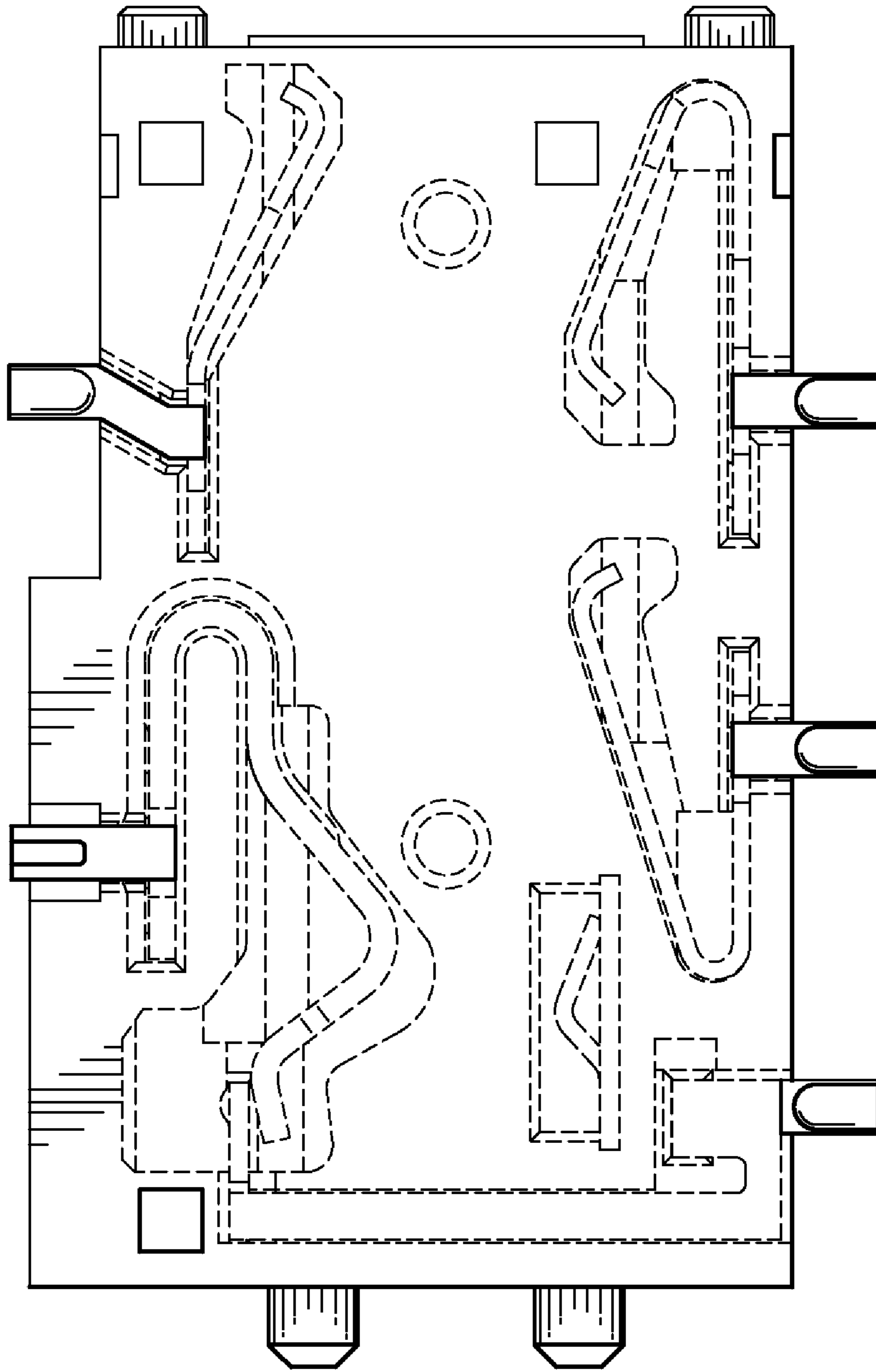


FIG. 7