



US00D555097S

(12) **United States Design Patent**  
**Su et al.**

(10) **Patent No.:** **US D555,097 S**

(45) **Date of Patent:** **\*\* Nov. 13, 2007**

(54) **ELECTRICAL CONNECTOR ASSEMBLY**

(75) Inventors: **Ping-Sheng Su**, Tu-cheng (TW);  
**Zhi-Gang Cai**, Kunshan (CN);  
**Xue-Chao Wang**, Kunshan (CN); **Wei Wang**, Kunshan (CN)

(73) Assignee: **Hon Hai Precision Ind. Co., Ltd.**,  
Taipei Hsien (TW)

(\*\*) Term: **14 Years**

(21) Appl. No.: **29/258,269**

(22) Filed: **Apr. 19, 2006**

(30) **Foreign Application Priority Data**

Oct. 21, 2005 (CN) ..... 2005 3 0131861

(51) **LOC (8) Cl.** ..... **13-03**

(52) **U.S. Cl.** ..... **D13/133**

(58) **Field of Classification Search** ..... D13/133,  
D13/146, 147, 156; 439/447, 483, 606-610,  
439/668, 669, 675, 676, 680, 687, 750  
See application file for complete search history.

(56) **References Cited**

**U.S. PATENT DOCUMENTS**

D339,116 S \* 9/1993 Gates et al. .... D14/433  
D434,728 S \* 12/2000 Huang ..... D13/147  
D481,683 S \* 11/2003 Lai ..... D13/147  
D483,373 S \* 12/2003 Huang ..... D14/433

D491,147 S \* 6/2004 Ji ..... D13/147  
D510,725 S \* 10/2005 Lai et al. .... D13/147  
D522,463 S \* 6/2006 Novotney et al. .... D13/154  
D524,746 S \* 7/2006 Lai ..... D13/147

\* cited by examiner

*Primary Examiner*—Cathron C. Brooks

*Assistant Examiner*—Rosemary K. Tarcza

(74) *Attorney, Agent, or Firm*—Wei Te Chung

(57) **CLAIM**

The ornamental design for an electrical connector assembly, as shown and described.

**DESCRIPTION**

FIG. 1 is a front, top and right side perspective view of an electrical connector assembly showing our new design, in which partial portions of the electrical connector assembly shown in broken lines;

FIG. 2 is a front elevational view thereof;

FIG. 3 is a rear elevational view thereof;

FIG. 4 is a left side elevational view thereof;

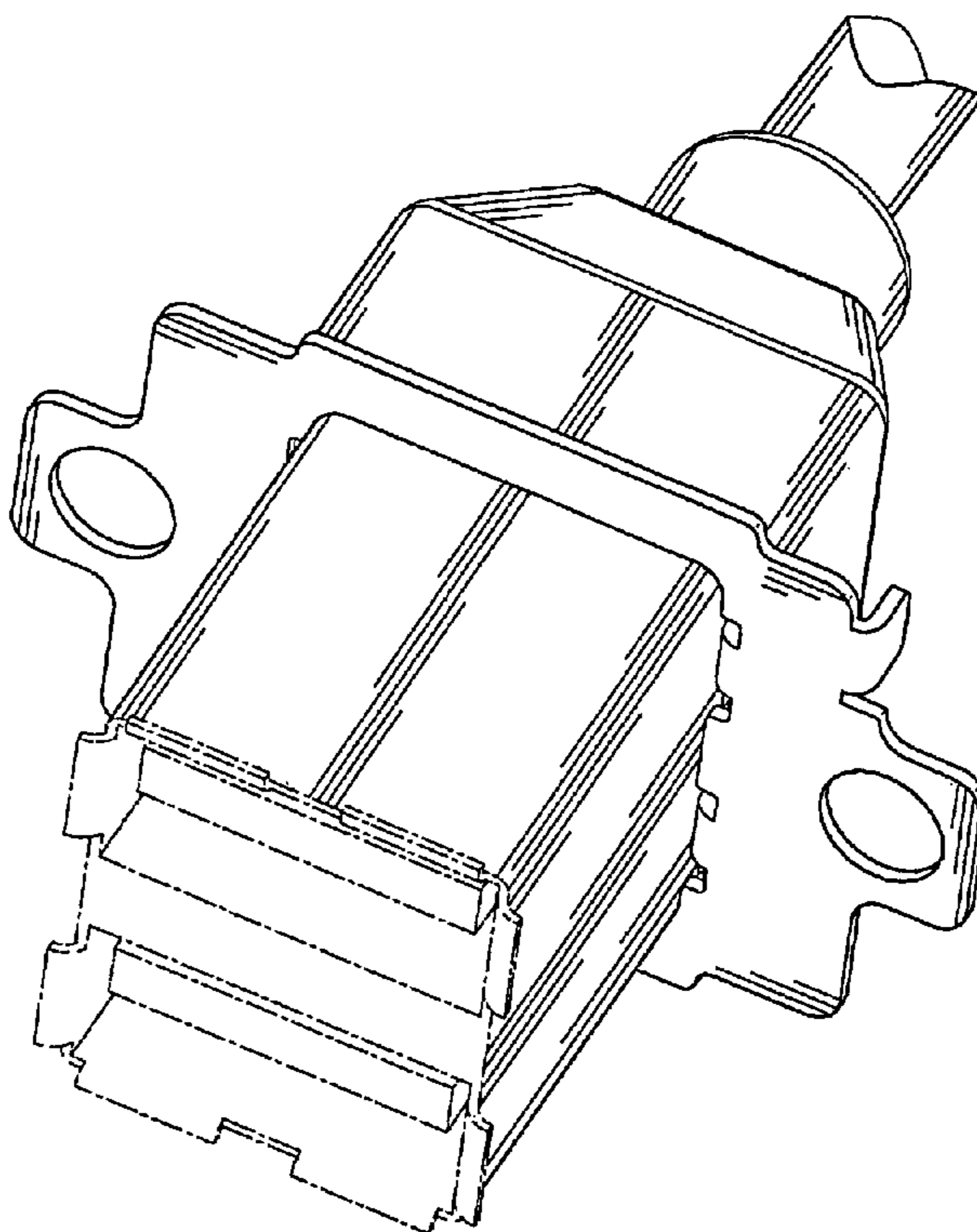
FIG. 5 is a right side elevational view thereof;

FIG. 6 is a top plan view thereof; and,

FIG. 7 is a bottom plan view thereof.

The broken lines in FIGS. 1-7 form no part of the claimed design.

**1 Claim, 7 Drawing Sheets**



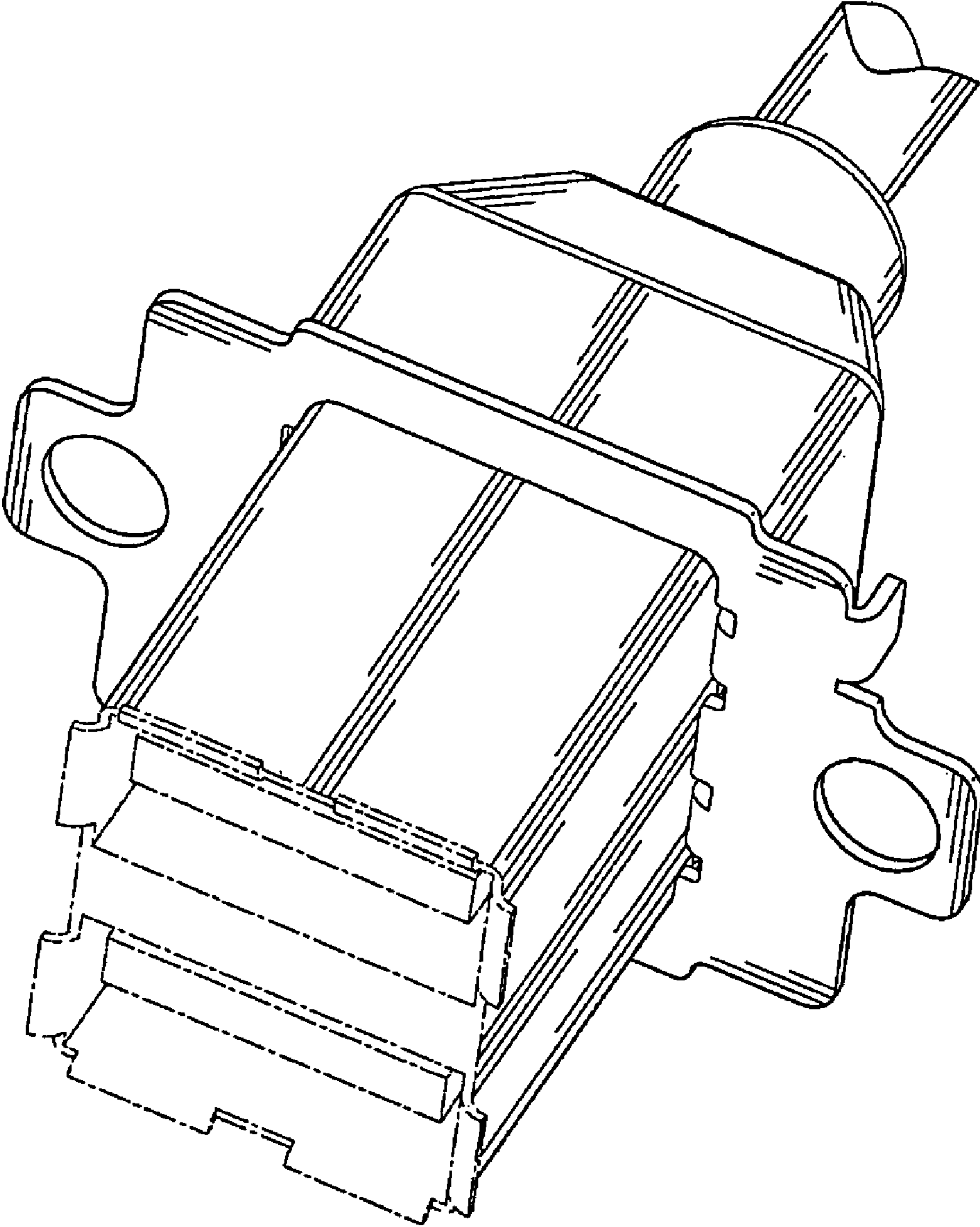


FIG. 1

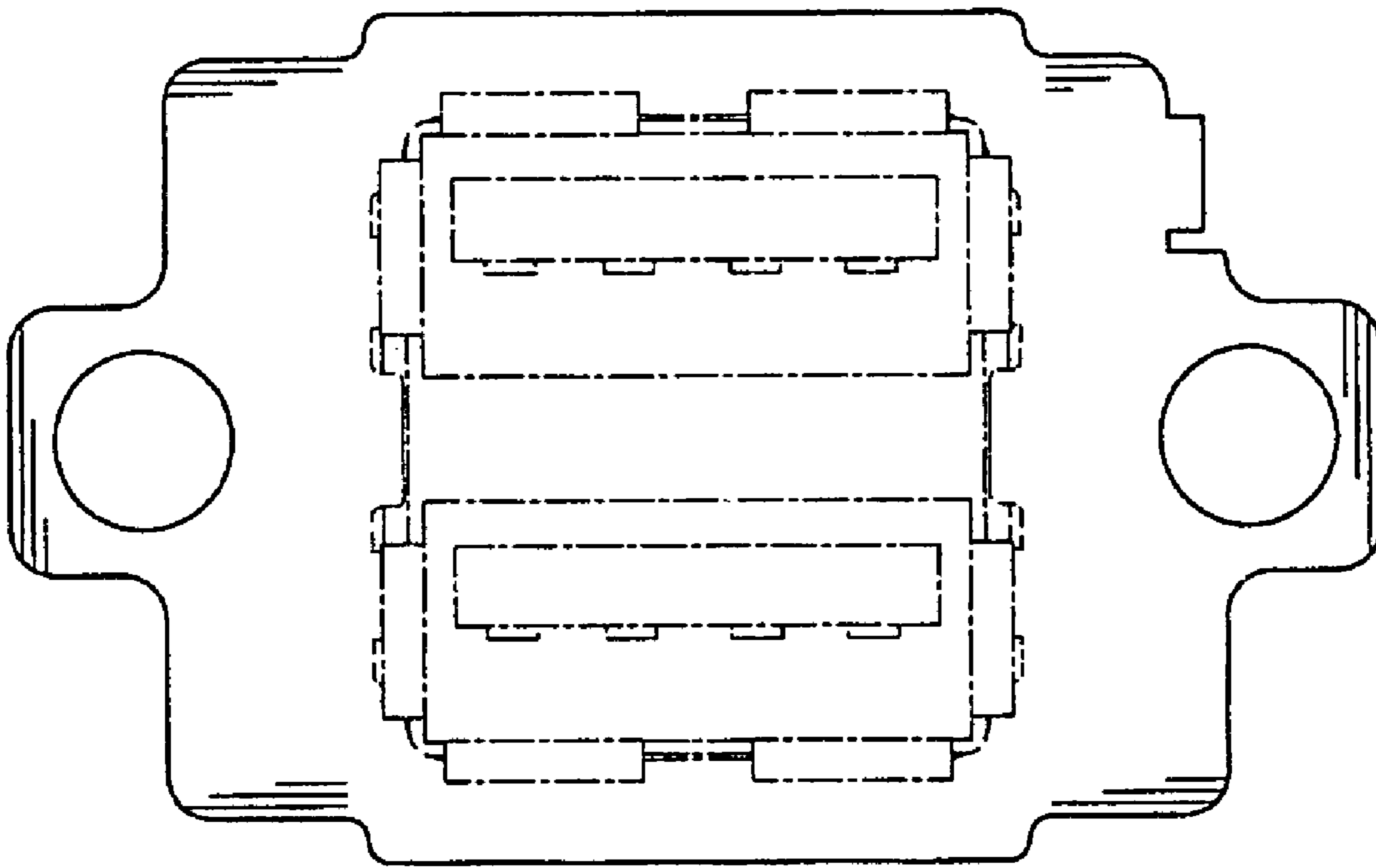


FIG. 2

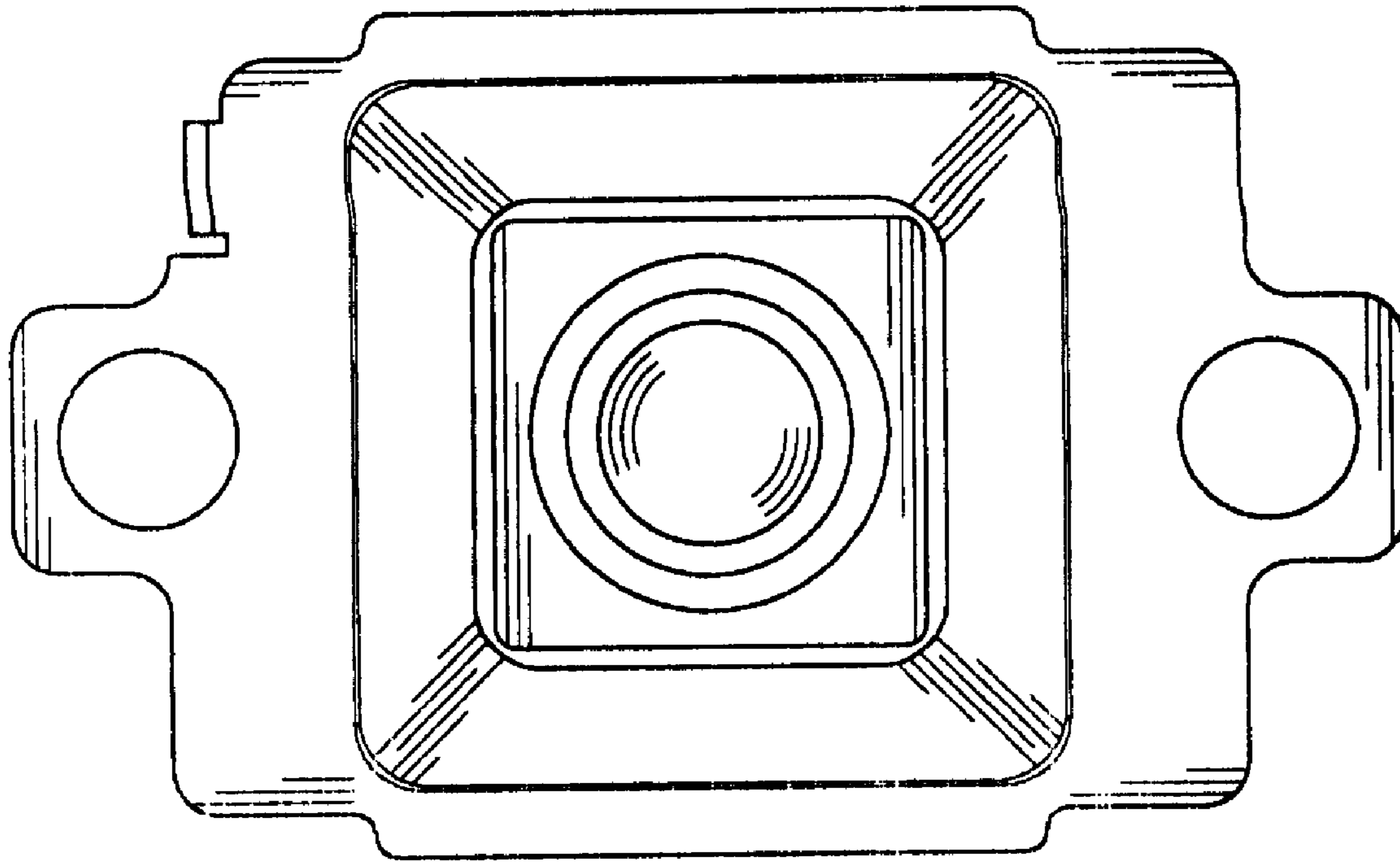


FIG. 3

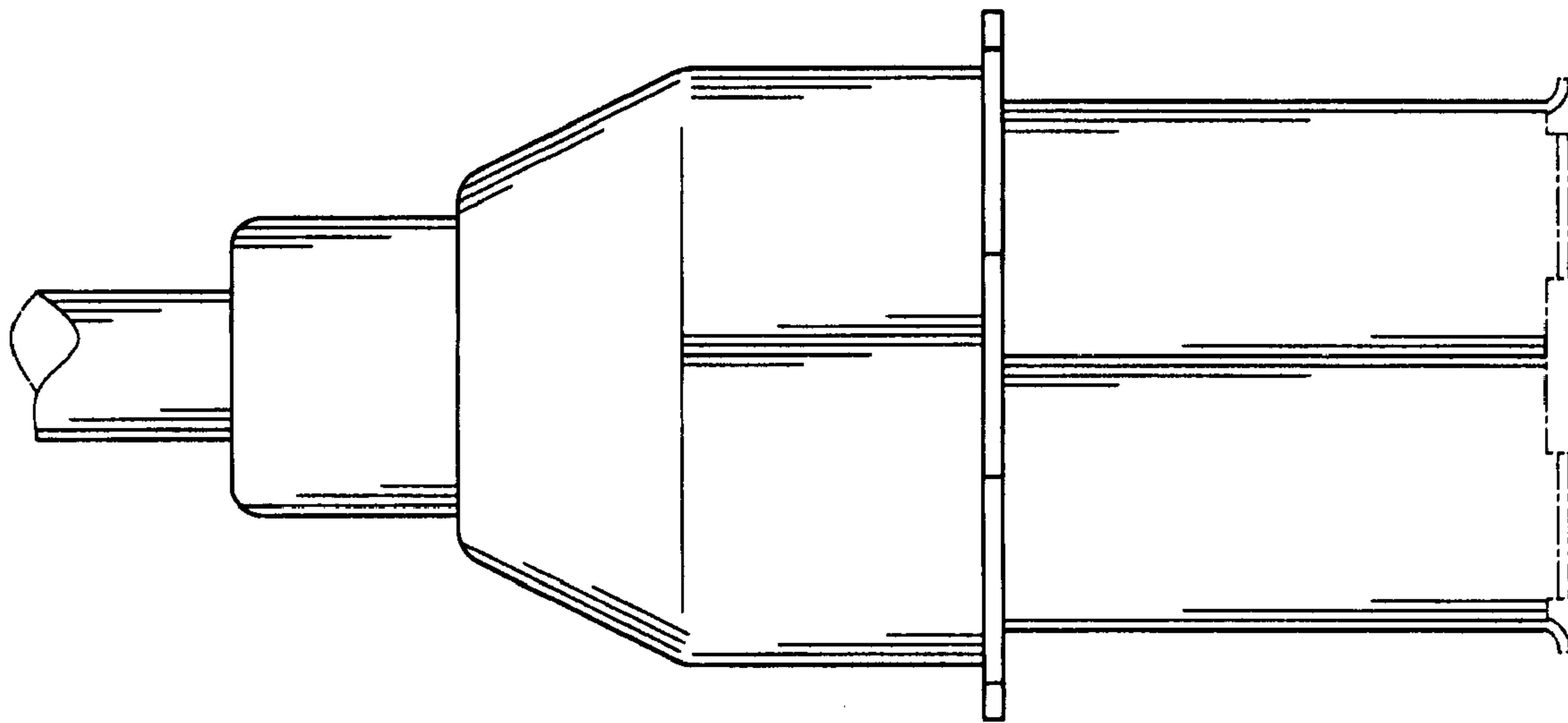


FIG. 4

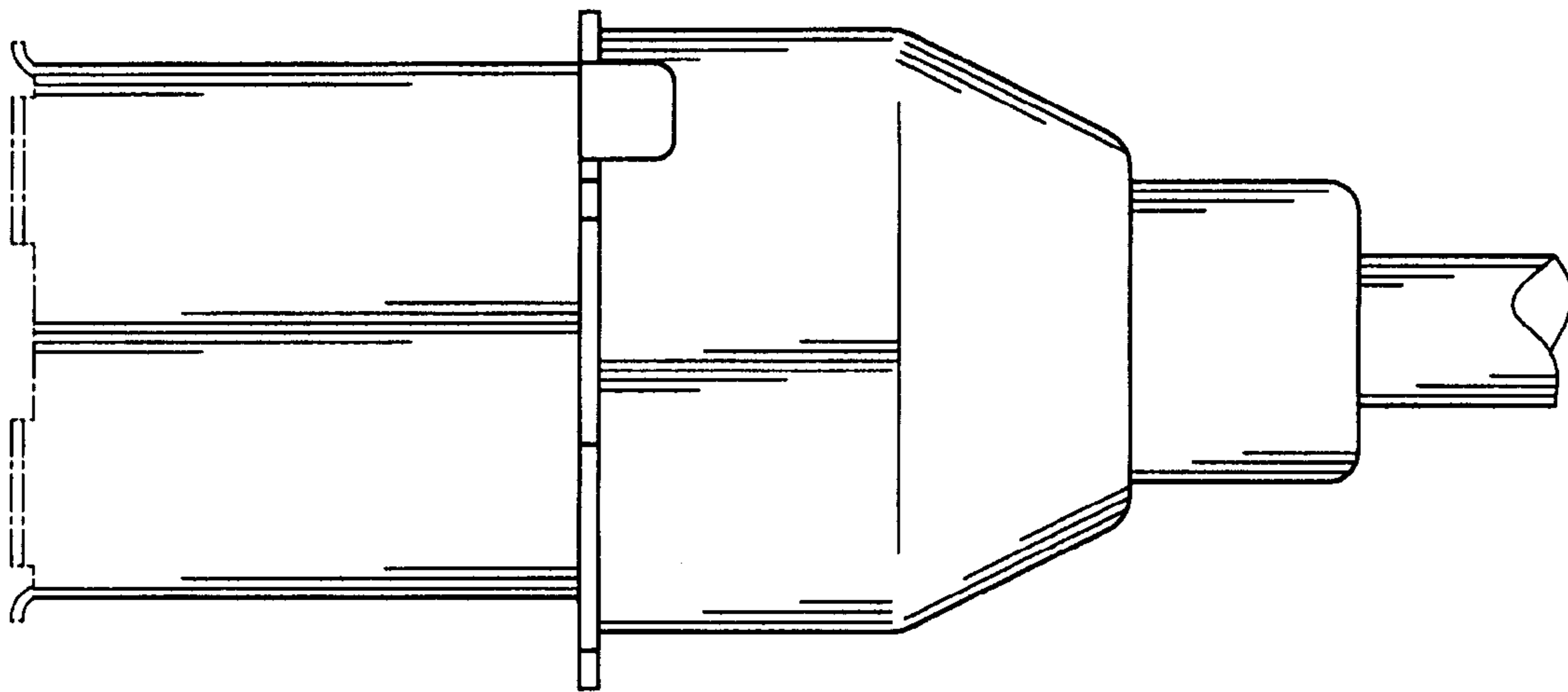


FIG. 5

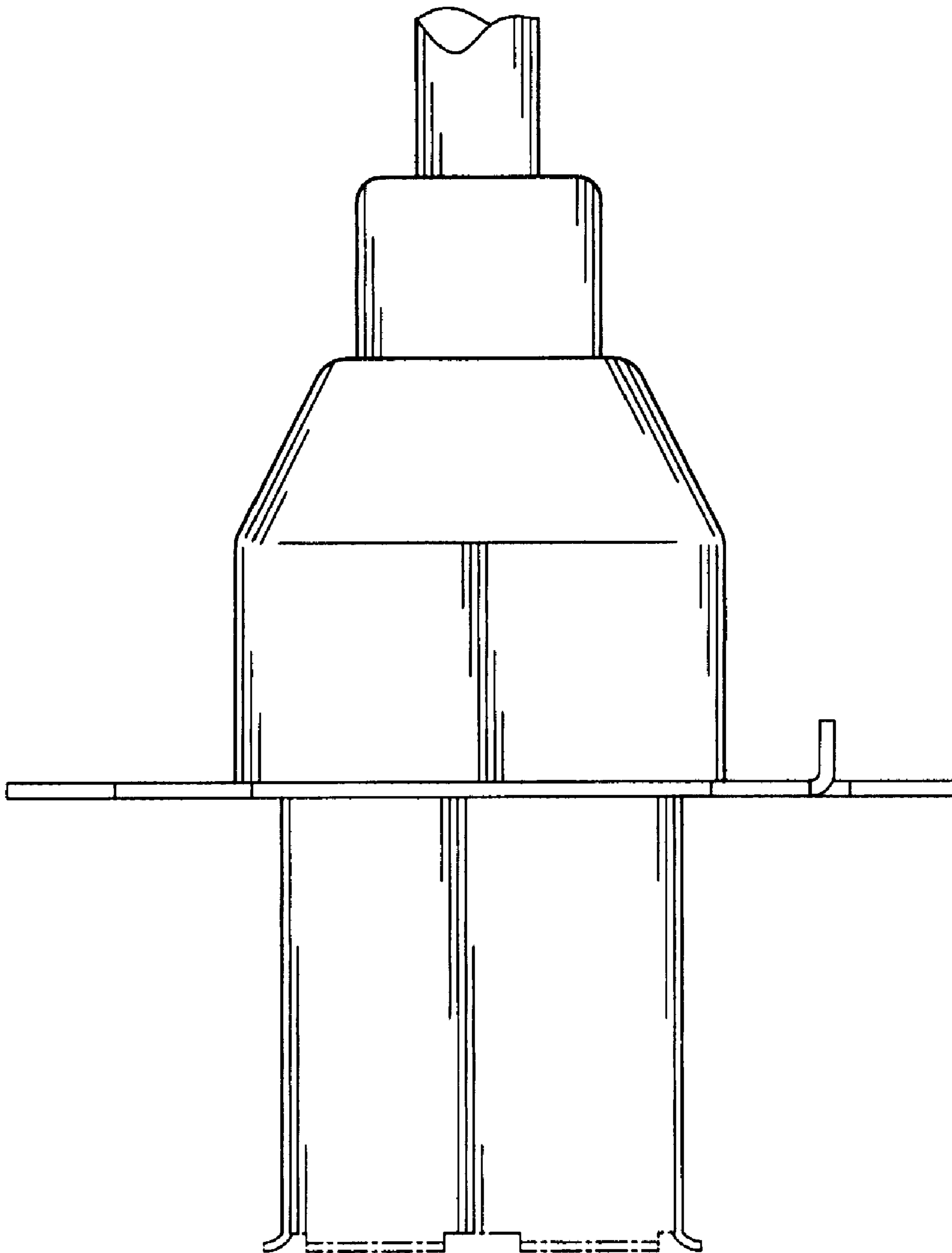


FIG. 6

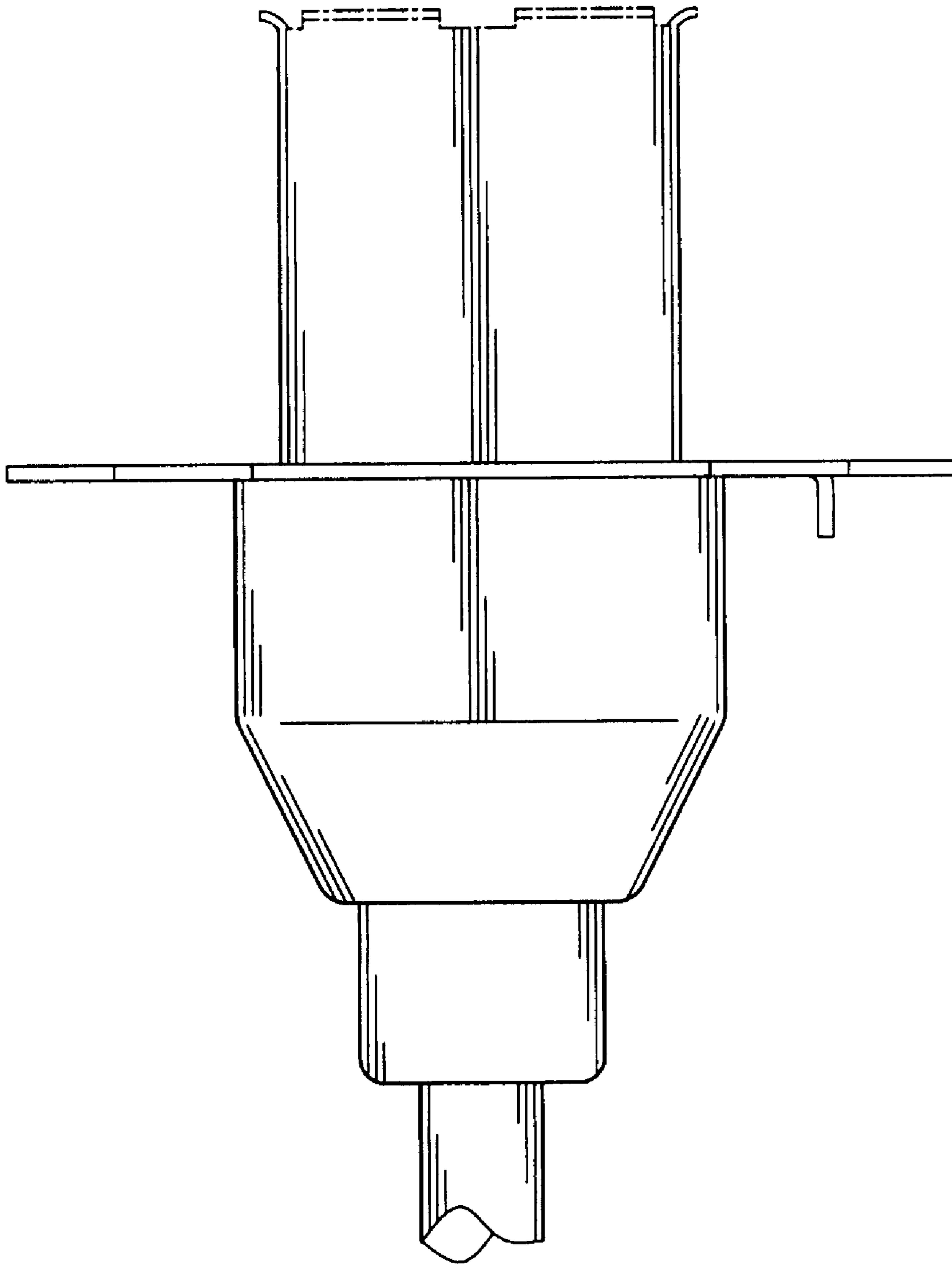


FIG. 7